

Cast Products, Inc.  
SA4208 Installation Procedure  
"Behind-the-Grille" Mount Siren Speaker  
2000 Chevy Tahoe or 2000 GMC Yukon

2x4  
or  
4x4

- 1) Remove the Plastic top cap from the horsecollar by backing out the plastic retaining rivets.
- 2) Install the SA4208 Assembly by inserting the assembly behind the grille on the passenger side.
- 3) Rest the top edge of the support bracket onto the top edge of the horsecollar. See FIGURE 2 and FIGURE 3.

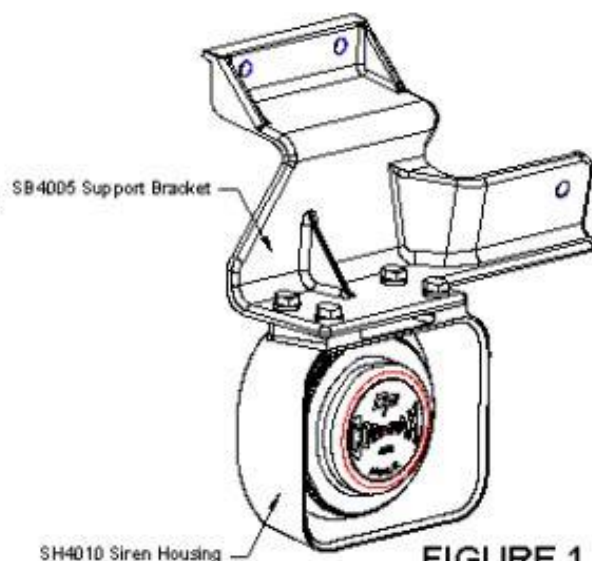


FIGURE 1

SA4208 ASSEMBLY

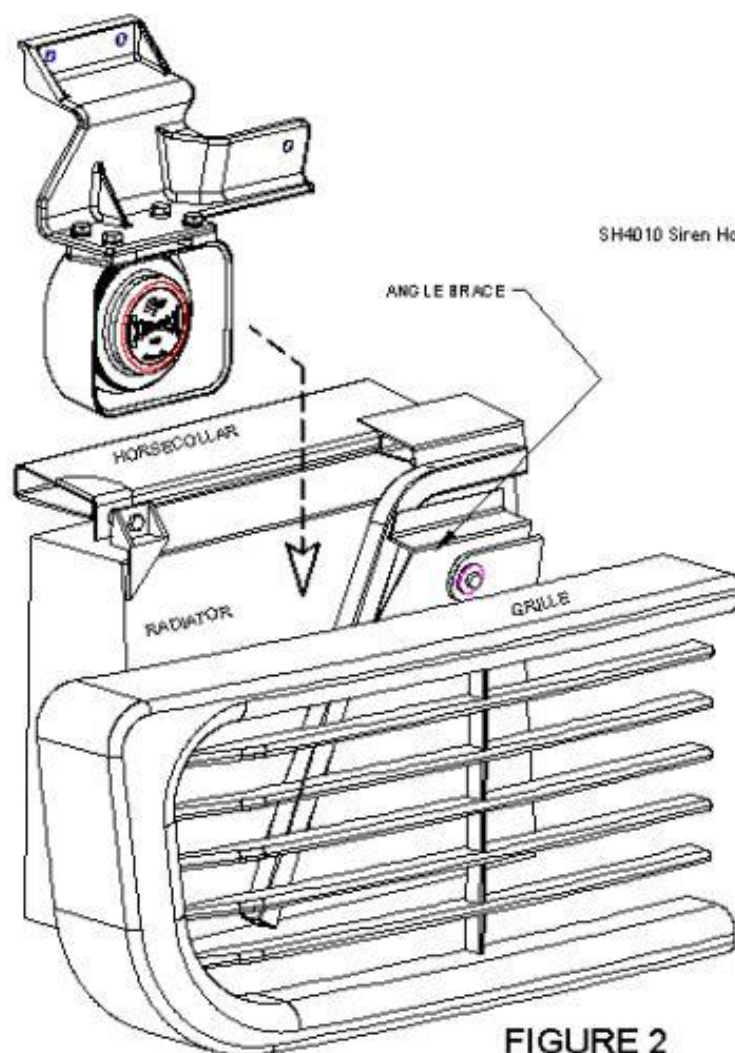


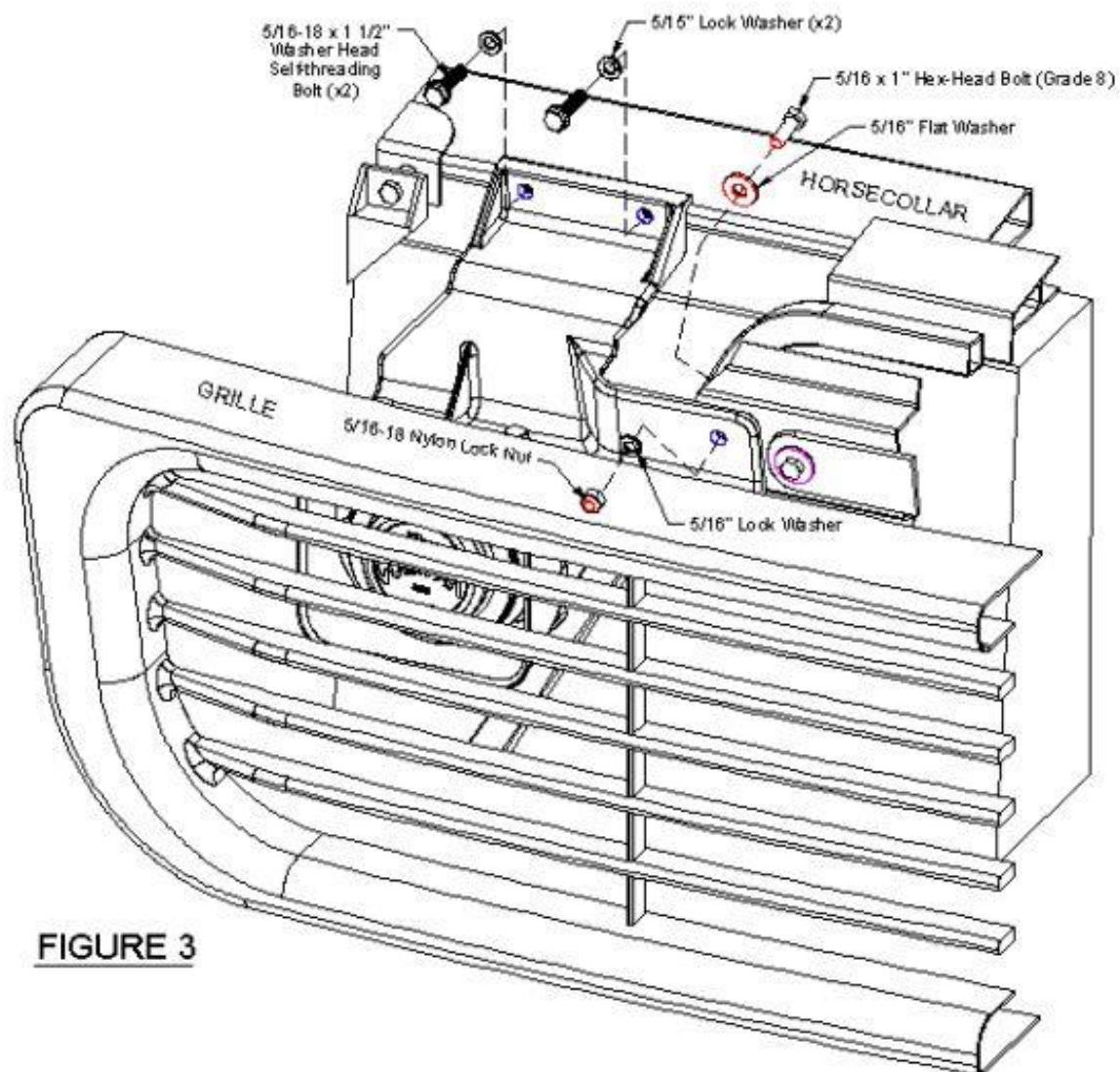
FIGURE 2

4) With the speaker assembly in position, mark the center of the 3 mounting holes in the support bracket.

5) For the 2 top holes in the horsecollar, drill with a  $\varnothing.250$ " drill. For the hole in the angle brace, drill with a  $\varnothing.375$ " drill.

6) After the holes have been drilled, reposition the speaker assembly.

7) Insert the two 5/16-18 x 1 1/2" Washer Head Self-Threading bolts, with 5/16" Lock Washers (Hardware provided), into the top 2 holes on the support bracket. See FIGURE 3. Using a socket wrench, start the 2 bolts into the horsecollar, but DO NOT TIGHTEN at this time.



**FIGURE 3**

8) Install the 5/16-18 x 1" Hex Bolt, with 5/16" Flat washer (Hardware provided), into the drilled hole on the Angle Brace and remaining hole on the support bracket. See FIGURE 3. Install the 5/16" Lock washer and 5/16-18 Nylon Lock-nut.

9) Tighten all mounting hardware.

10) Continue with the electrical connections for the siren assembly as per the manufacturers instructions for the siren amplifier.

11) Re-install the plastic top cap with the plastic retaining rivets.

**Hardware Included:**

- 2 - 5/16-18 x 1 1/2" Washer Head Self-Threading Bolts
- 1 - 5/16-18 x 1" Hex Head Bolt (Grade 8)
- 3 - 5/16" Lock Washers
- 2 - 5/16" Flat Washers
- 1 - 5/16-18 Nylon Lock Nut