

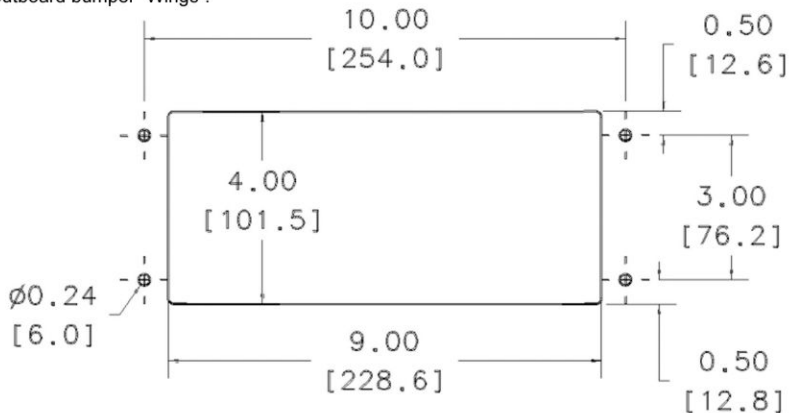


**SA5403 "Through-the-Bumper"
Siren Speaker for 2003-2004
Freightliner M2
(pre-cut bumper holes)**



Installation Procedure

- 1) Inspect the contents of the Siren Speaker Assembly and make sure that all mounting hardware and components are accounted for. The speakers will bolt into one of the pre-cut bumper holes located on the outboard bumper "Wings".



- 2) With the Face trim bolted to the speaker housing, Insert the speaker assembly (minus the rear support bracket) in the bumper hole, at an angle. See Diagram 1 on next page.

Hardware included (per speaker)

Item Qty Description

1	4	1/4-20 x 1.25 SS Ovalhead screw Phillips Head
2	2	1/4-20 x .875 SS Hexhead Bolt
3	4	1/4-20 Nylon Lock Nut
4	6	1/4 Lock Washer
5	4	1/4 Flat Washer

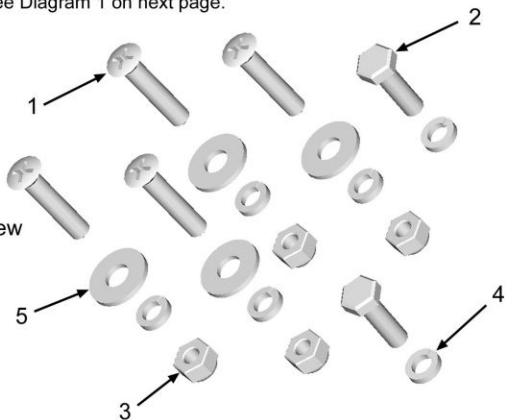
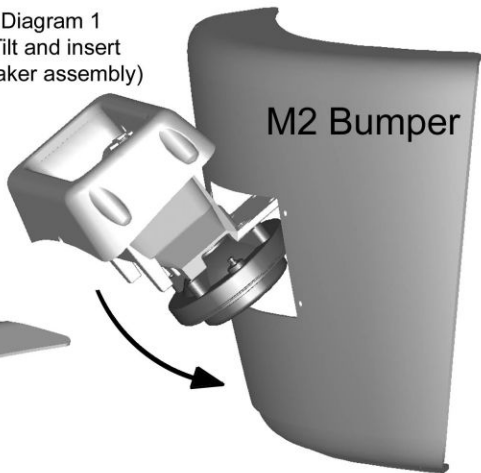


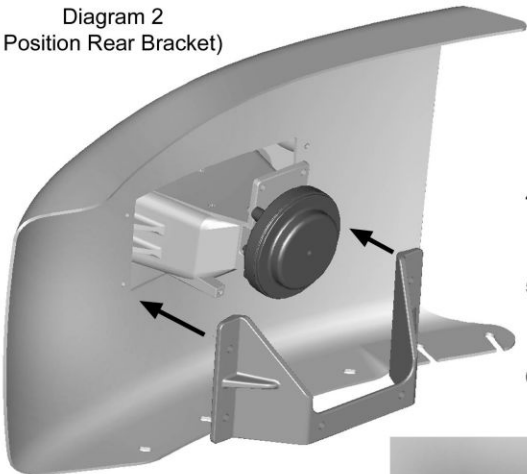
Diagram 1
(Tilt and insert
speaker assembly)



M2 Bumper

- 3) After inserting the speaker housing into the pre-cut hole, position the rear support bracket and align the holes in the bumper and tapped holes in the speaker housing (See Diagram 2).

Diagram 2
Position Rear Bracket)



- 4) Install the 1/4" flat washers, 1/4" lock washers and 1/4-20 Nylon Lock nuts onto the 1/4-20 x 1 1/4" Oval head screws (x4). See Diagram 3.

- 5) Install the 1/4" lock washers and 1/4-20 x 7/8" Hex bolts into the 2 rear tapped holes of the siren housing.

- 6) Tighten all bolts. Repeat for the opposite side.

- 7) Continue with the electrical connections as per their manufacturers directions.

- 8) Make sure all electrical wiring is secure, either in wire loom or nylon ties.

- 9) Include a regular maintenance check of the hardware bolts and electrical connections. Make sure to include standard lock-tite procedures for any speaker maintenance.

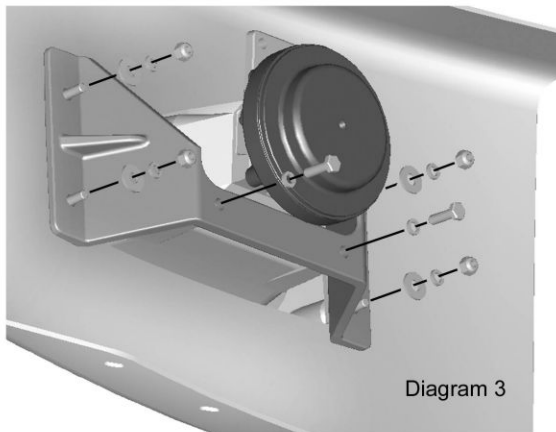


Diagram 3