

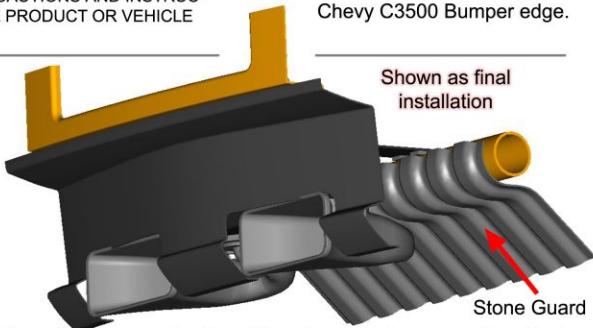


# SA6114 "Under-the-Bumper" Center Mount for 2008 Chevy C3500 (Dual Speakers) Installation Procedure



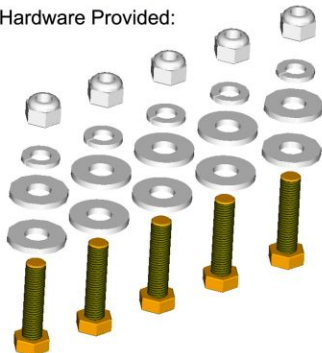
It is recommended that these instructions be completely read through first and referred to when performing maintenance and/or reinstallation of this product. FAILURE TO FOLLOW THESE SAFETY PRECAUTIONS AND INSTRUCTIONS COULD RESULT IN DAMAGE TO THE PRODUCT OR VEHICLE AND/OR SERIOUS INJURY.

The dual speaker assembly mounts to the bottom of the 2008 Chevy C3500 Bumper edge.



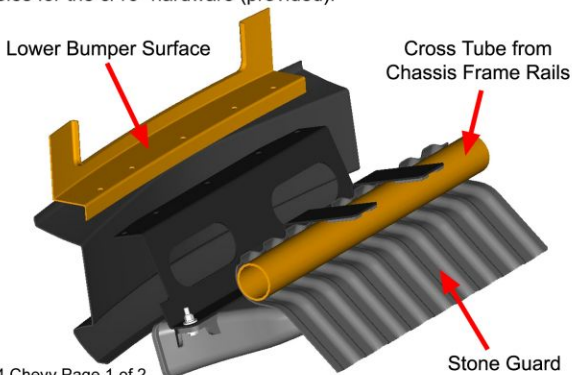
Note: The support bracket of the siren speaker assembly will sit on TOP of the bottom bumper surface.

## Hardware Provided:



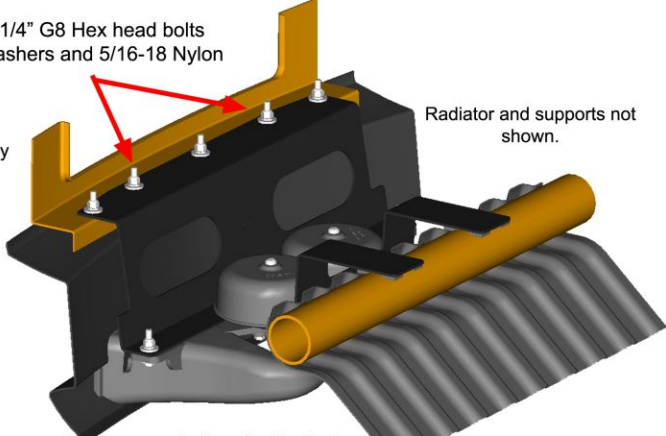
- 5 5/16" x 18 Nylon Lock Nuts
- 5 5/16" x 1 1/4" G8 Hexhead Bolts
- 5 5/16" Lock Washers
- 10 5/16" Flat Washers

- 1) Rotate the speaker assembly and position the rear support braces on top of the cross tube chassis rail. Level the speaker assembly and position the support bracket onto the bottom bumper edge. Center the bracket and mark the center of the 5 mounting holes of the support bracket. It will require drilling 5 clearance holes for the 5/16" hardware (provided).



2) Install the 5/16-18 x 1 1/4" G8 Hex head bolts with flat washers, lock-washers and 5/16-18 Nylon lock nuts (x5).

Bumper cut-away



3) Mark the face of the siren speaker horns onto the plastic air-dam and cut an opening for each speaker horn. Cut only the lower portion of the license plate holder (not shown).

Bumper cut-away (License Plate Holder not shown)



4) Tighten all bolts. Make sure to include in the periodic maintenance check of all bolts and entire speaker assembly.

5) Continue with the electrical connections of the speaker drivers to the siren amp, as per their manufacturers directions.

Bumper cut-away (License Plate Holder not shown)

