



# SAD SAP3808 "Through-the-Bumper" Outboard Mounts for 2011 International TerraStar or WorkStar



## Installation Procedure

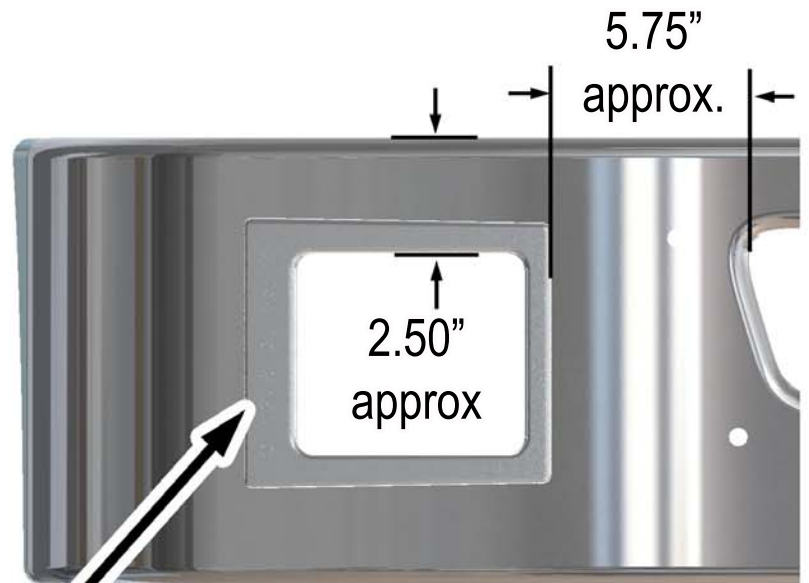
It is recommended that these instructions be completely read through first and referred to when performing maintenance and/or reinstallation of this product. FAILURE TO FOLLOW THESE SAFETY PRECAUTIONS AND INSTRUCTIONS COULD RESULT IN DAMAGE TO THE PRODUCT OR VEHICLE AND/OR SERIOUS INJURY. CAUTION: SIREN CAN CAUSE DAMAGE TO UNPROTECTED EARS.

The Siren Speaker Assemblies will be located on the outboard "wings" of the bumper.

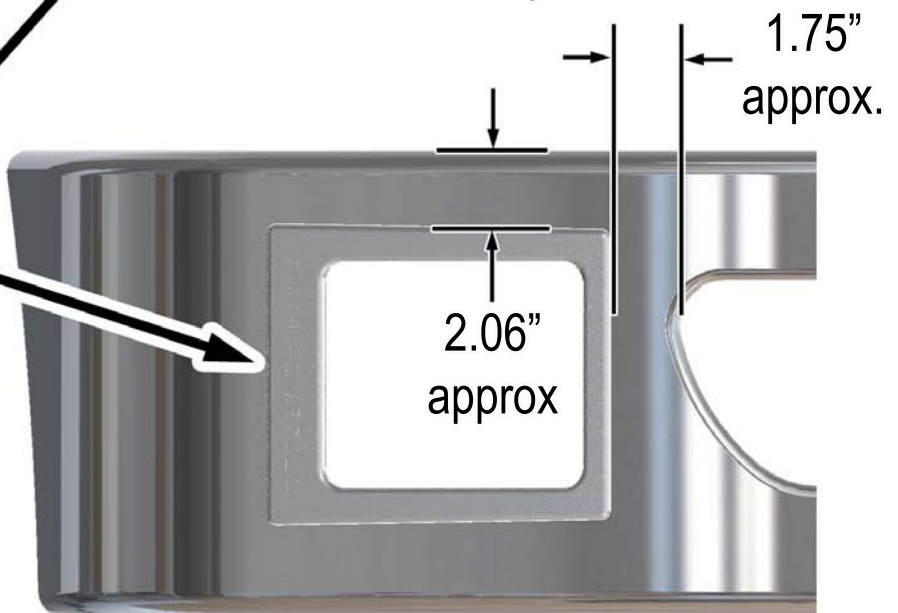
Use the CT0228 Cutting Template to aid in marking the interior area to cut or enlarge the openings for the Siren Speaker Assemblies.

Cut and Enlarge the bumper opening. Position each siren speaker assembly into place and mark the centers of the four flange mounting holes.

Drill clearance holes, for the stainless 1/4" hardware (provided), through the bumper.



TerraStar Bumper



WorkStar Bumper

### Cutting Template

Mark and cut interior of template only.

## Passenger Side Speaker Placement

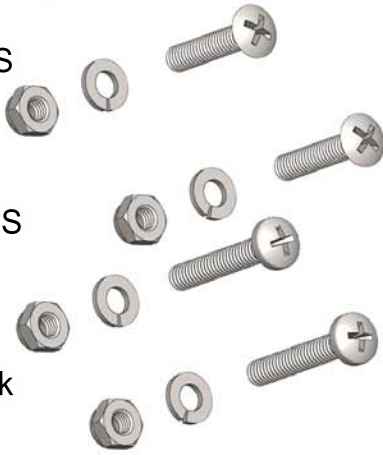
Mounting Hardware for each speaker (included):

2- 1/4-20 x 1 1/4" SS Phillips Oval Head screws.

2 - 1/4-20 x 1 1/2" SS Phillips Pan Head Screws

4- 1/4-20 Nylon Lock Nuts

4- 1/4" Lock washers.



TerraStar Bumper

Re-position the speaker assemblies and install the 1/4-20 x 1 1/4 screws (x2), 1/4-20 x 1 1/2" screws (x2), lock washers and 1/4-20 nylon lock nuts.

Tighten all bolts and screws. Continue with the electrical connections as per their manufacturers directions.

Make sure that there is no interference with the integrity or operation of the vehicle and its components.

Be sure to include a periodic inspection of all bolts, screws, mounting hardware and components, along with the vehicles regular scheduled maintenance.



WorkStar Bumper