



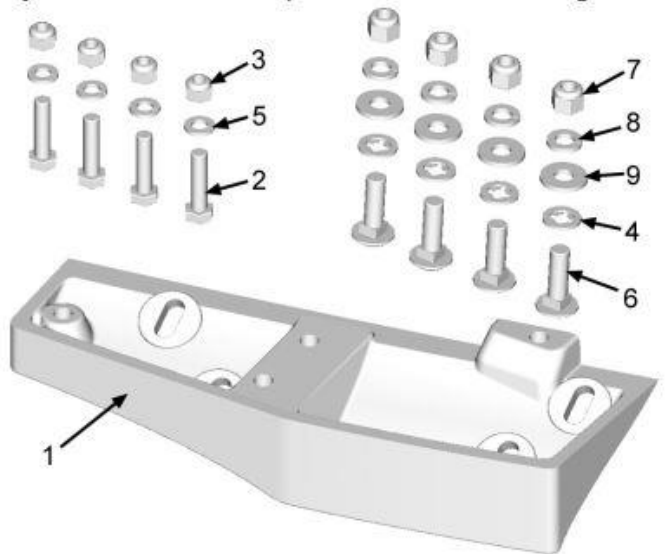
SAD4601 SAP4601 for 3"x5" Lights  
 SAD4602 SAP4602 for 3"x7" Lights  
 Siren Speaker Installation Procedure  
 1992-2004 Ford E350 Bumper Mount



Unpack and inspect contents for all components. Completely read the installation procedure before starting the actual install.

Mounting Hardware (included)

Item	Qty	Part #	Name
1	1	SB4010	Driver - Support Mounting Wedge
2	4		5/16-18 x 1.25 Hexhead Bolt
3	4		5/16-18 Nylon Lock Nut
4	4		5/16 Nylon Push Retainer
5	4		5/16 Lock Washer
6	4		3/8-16 x 1.25 Carriage Head Bolt
7	4		3/8-16 Nylon Lock Nut
8	4		3/8 Lock Washer
9	4		3/8 Flat Washer



Rear View - Speaker Assembly and Support Bracket - mounting hardware



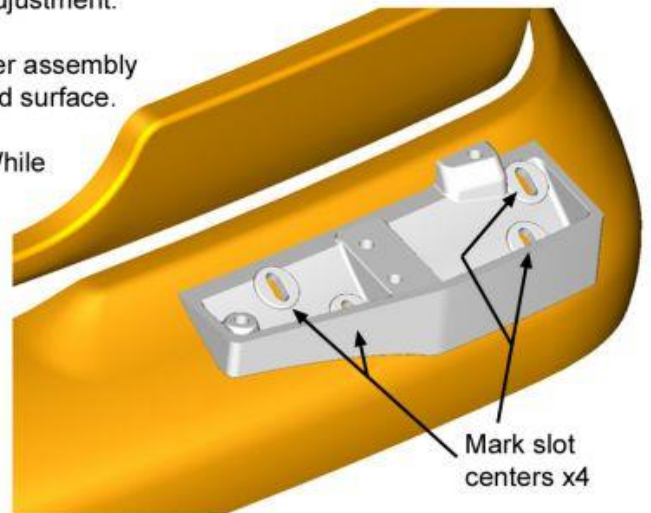
1) Without the any hardware mounted to the support wedge / bracket (Item 1) and the bottom of the speaker assembly (diagram at left), place the assembly onto the bumper top surface (see top, right diagram). The bottom of the wedge bracket matches the contours of the bumper, but does allow a small amount of adjustment.

Make sure that the speaker assembly does not touch any painted surface.

2) Position the speaker. While holding the bottom wedge bracket in place, remove the upper speaker assembly.

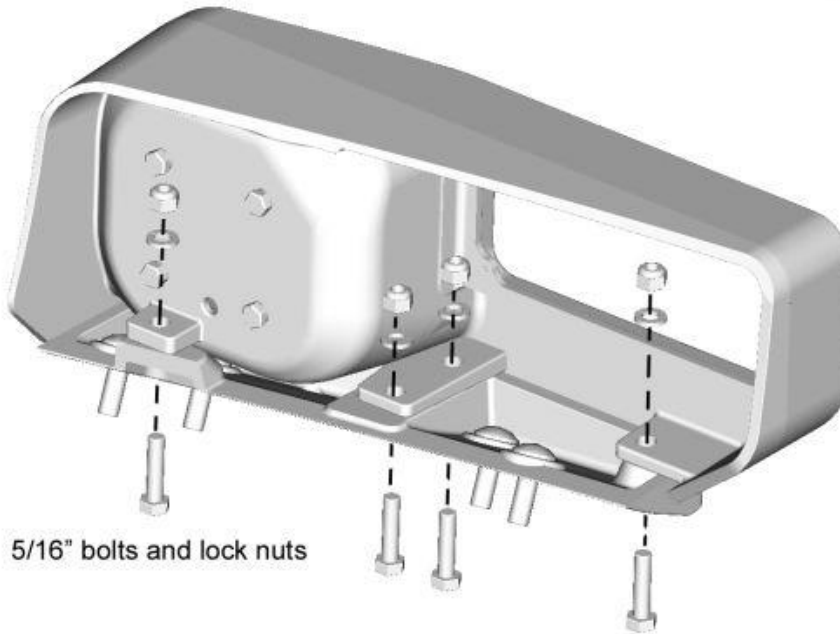
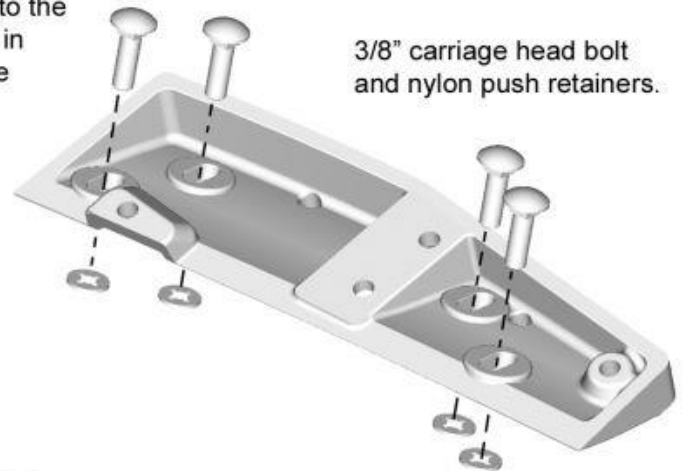
3) Mark the center of the four 1/2" slots (see to the right).

4) Drill into the bumper four .375" (3/8") clearance holes for the 3/8" mounting bolts to be used later.



5) Insert the 3/8-16 x 1.25" carriage head bolts (item 6) into the four cast slots on the wedge bracket. To hold these bolts in place, push the 5/16" nylon push retainer (item 4) onto the threads of each 3/8" bolt, all the way up the length of the threads. See diagram at right.

6) Position the siren speaker assembly onto the top of the wedge support bracket.



7) Align the 3/8" holes in the wedge bracket and speaker assembly.

8) Install the 5/16-18 Hexhead bolts into the holes from underneath the wedge bracket (see diagram at left).

Install the 5/16" lock washers and the 5/16-18 nylon lock nuts from the interior of the speaker assembly. Tighten all these for 5/16" bolts.

9) Take the speaker assembly and reposition it so that the 3/8" bolts go into the four drilled holes in the bumper. See diagram at right.

Install the 3/8" flat washers, 3/8" lock washers and the 3/8-16 nylon lock nuts. Tighten all bolts.

Repeat procedure to opposite side speaker assembly.

10) Continue with the electrical connections and warning light installations as per their manufacturers directions.

11) Add into the vehicles periodic maintenance program a check of the speaker installation which includes all electrical and mechanical connections.

