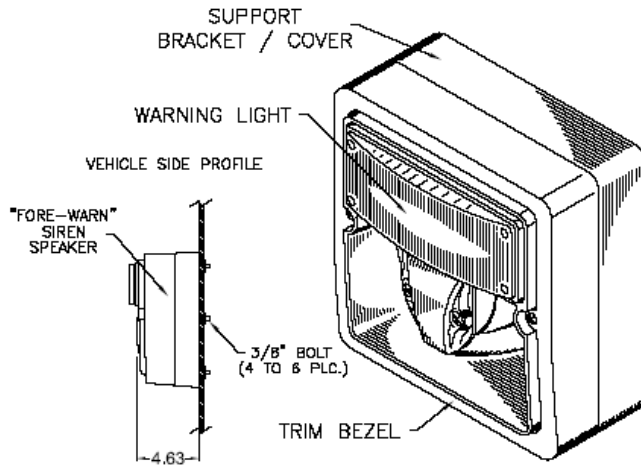


# Siren Speakers

## SA1000 Series

### SA1502



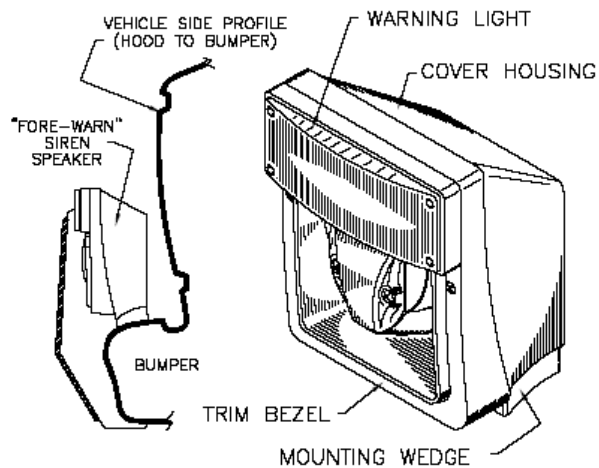
### SA1502

#### Surface Mount Siren Speaker with Warning Light

- 1) Finish: Trim Bezel is polished. Cone and Horn are Wheel-a-brated.
- 2) Important: See specs for matching electrical components and requirements.
- 3) Designed to mount on a flat surface which prohibits cutting of the body (Installation procedure included).

## SA2000 Series

### SA2201

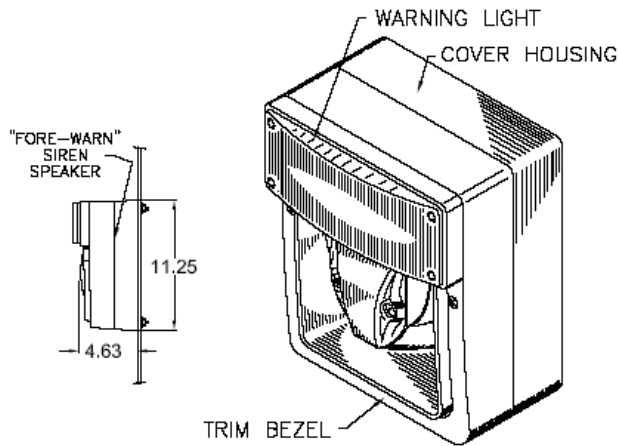


### SA2201

#### Bumper Mounted Siren Speaker with Warning Light

- 1) Finish: Trim Bezel is polished. Cone and Horn are Wheel-a-brated.
- 2) Important: See specs for matching electrical components and requirements.
- 3) Designed for use with a 3" x 7" Light on the '86-'87 Chevy C30 (Installation procedure included).

## SA2301

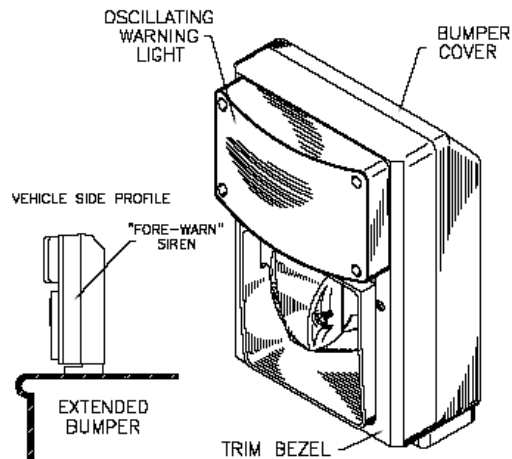


## SA2301

### Surface Mount Siren Speaker with Warning Light

- 1) Finish: Trim Bezel is polished. Cone and Horn are Wheel-a-brated.
- 2) Important: See specs for matching electrical components and requirements.
- 3) Designed to mount on a flat surface which prohibits cutting the body (Installation procedure included).

## SA2208

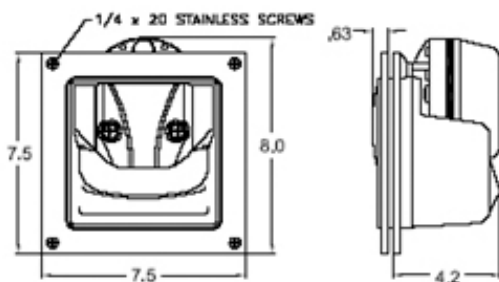


## SA2208

### Surface Mount Siren Speaker for Oscillating Lights

- 1) Finish: Trim Bezel is polished. Cone and Horn are Wheel-a-brated.
- 2) Important: See specs for matching electrical components and requirements.
- 3) **SA2208** for use with **Code-3 Oscilaser** Lights. **SA2209** for use with **Federal TCL** Lights (Installation procedure included).

## SA2401

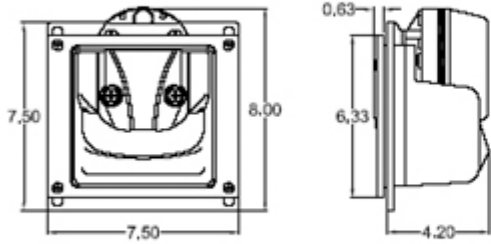


## SA2401

### Inside-the-Bumper Mount Siren Speaker

- 1) Finish: Trim Bezel is polished. Cone and Horn are Wheel-a-brated.
- 2) Important; See specs for matching electrical components and requirements.
- 3) For mounting inside the bumper used on the front of most firetrucks (Installation procedure included).

## SA2403

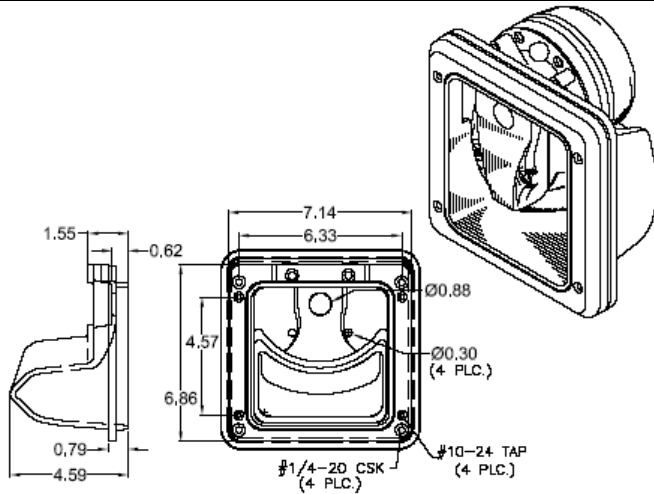


## SA2403

### Inside-the-Bumper Mount Siren Speaker (10" Tall Bumper)

- 1) Finish: Trim Bezel is polished. Cone and Horn are Wheel-a-brated.
- 2) Important: See specs for matching electrical components and requirements.
- 3) For mounting inside the 10" tall bumpers used on the front of some firetrucks (Installation procedure included).

## SA2405

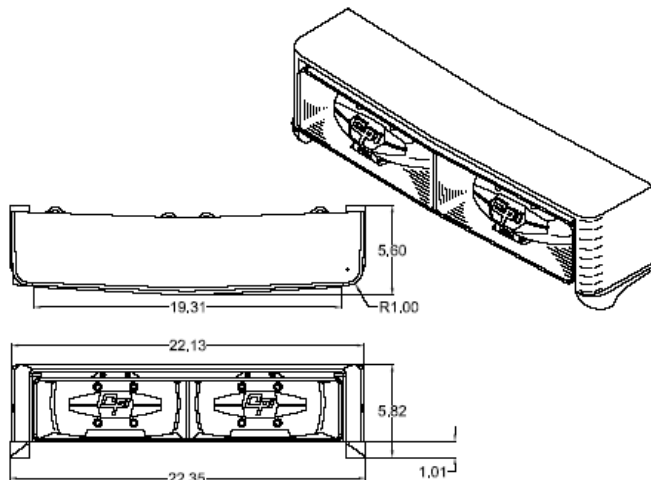


## SA2405

### Inside-the-Bumper Mount Siren Speaker (12" Tall Bumper)

- 1) Finish: Trim Bezel is polished. Cone and Horn are Wheel-a-brated.
- 2) Important: See specs for matching electrical components and requirements.
- 3) Designed as a "front load" mount in the bumper of some firetrucks (Installation procedure included).

## SA3203



## SA3203

### Dual Siren Speaker (Bumper Mount)

- 1) Finish: Trim Bezel is polished. Cone and Horn are Wheel-a-brated.
- 2) Important: See specs for matching electrical components and requirements.
- 3) Designed to mount on the bumpers of most full size trucks and vans.

## SA3000 Series

### SA3501

BUMPER SIDE  
PROFILE



### SA3501

#### Inside-the-Bumper Mount Siren Speaker

- 1) Finish: Trim Bezel is polished. Cone and Horn are Wheel-a-brated.
- 2) Important: See specs for matching electrical components and requirements.
- 3) Mounts Inside the bumper used on the front of most firetrucks (Installation procedure included).

### SA3502



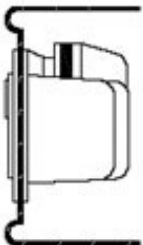
### SA3502

#### Inside-the-Bumper Mount Siren Speaker

- 1) Finish: Trim Bezel is polished. Cone and Horn are Wheel-a-brated.
- 2) Important: See specs for matching electrical components and requirements.
- 3) Mounts inside the bumper used on the '92-03 Freightliner FL60 (Installation procedure included).

### SA3503

BUMPER SIDE  
PROFILE



### SA3503

#### Inside-the-Bumper Siren Speaker

- 1) Finish: Trim Bezel is polished. Cone and Horn are Wheel-a-brated.
- 2) Important: See specs for matching electrical components and requirements.
- 3) For mounting Inside the bumper used on the front of most firetrucks (Installation procedure included).

**SA3504**



## **SA3504**

### **Inside-the-Bumper Siren Speaker**

- 1) Finish: Trim Bezel is polished. Cone and Horn are Wheel-a-brated.
- 2) Important; See specs for matching electrical components and requirements.
- 3) For mounting inside the bumper used on the '92-03 Freightliner FL60 (Installation procedure included).

**SA3801**

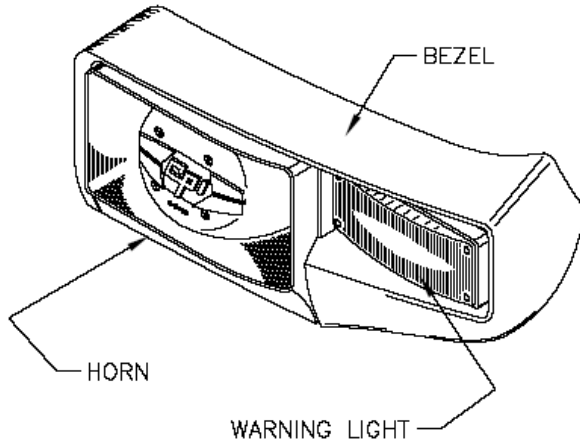


## **SA3801**

### **TTB Mount Siren Speaker (SA3800 series) for Stan- dard 2" OD Logo Stickers**

- 1) Finish: Exterior flange is polished. Siren speaker is ball-burnished.
- 2) For "through-the-bumper" mounting with 2" OD Logo Stickers.

**SAD3201 SAP3201**



**SAD SAP3201**  
**E350 Bumper Mount Siren**  
**Speaker with 3" x 7"**  
**Warning Lights**

- 1) Finish: Wheel-a-brated on all surfaces or powder-coated white
- 2) Important: See specs for matching electrical components and requirements.
- 3) Mounts under the headlights on the 1997-02 Ford E350 Van

**SAD3801 SAP3801**



**SAD SADP3801**  
**TTB Siren Speaker**  
**for 2008-09 Ford**  
**E350 SD series**



- 1) Finish: Exterior flange is polished. Siren speaker is ball-burnished.
- 2) For "through-the-bumper" mounting on 2008-09 Ford E350 SD series

**SAD3802 SAP3802**



**SAD SADP3802**  
TTB Siren Speaker  
for 2008-09 Ford  
F350 SD series



- 1) Finish: Exterior flange is polished. Siren speaker is ball-burnished.
- 2) For "through-the-bumper" mounting on 2008-09 Ford F350 SD series

**SAD3803 SAP3803**



**SAD SADP3803**  
TTB Siren Speaker for  
2008-09 International  
4300 MaxxForce DT



- 1) Finish: Exterior flange is polished. Siren speaker is ball-burnished.
- 2) For "through-the-bumper" mounting on 2008-09 International 4300 MaxxForce DT

## SA3804

### SA3804 TTB Siren Speaker 2007- 08 G3500 Van (for Dual Center Mount)



- 1) Finish: Exterior flange is polished. Siren speaker is ball-burnished.
- 2) For "through-the-bumper" mounting on 2008-09 International 4300 MaxxForce DT



## SAD3805 SAP3805

### SAD SAP3805 TTB Siren Speaker for 2004-09 Freightliner M2 - TTB Mount (SA3800 series)



- 1) Finish: Exterior flange is polished.  
Siren speaker is ball-burnished.
- 2) For "through-the-bumper" mounting on 2004-09 Freightliner M2.





## SAD3806 SAP3806



- 1) Finish: Exterior flange is polished. Siren speaker is ball-burnished.
- 2) For "through-the-bumper" mounting on 2011 Ford F series SD.
- 3) No cutting templates required. Uses existing bumper openings.



## SAD3806 SAP3806 TTB Siren Speaker for 2011 Ford F Series SD (SA3800 series)

## SAD3807 SAP3807



- 1) Finish: Exterior flange is polished. Siren speaker is ball-burnished.
- 2) For "through-the-bumper" mounting on 2010 Dodge 3500 Truck.
- 3) Cutting templates required.



## SAD3807 SAP3807 TTB Siren Speaker for 2010 Dodge 3500 Truck (SA3800 series)

## SAD3808 SAP3808



## SAD3808 SAP3808 TTB Siren Speaker for 2011 International TerraStar and WorkStar Truck (SA3800 series)



- 1) Finish: Exterior flange is polished.  
Siren speaker is ball-burnished.
- 2) For "through-the-bumper" mounting on  
2011 International TerraStar or WorkStar (no fog  
light openings).
- 3) Cutting templates required.

## SAD3809 SAP3809



## SAD3809 SAP3809 TTB Siren Speaker for 2011 Chevy C3500 HD (only) Truck (SA3800 series)



- 1) Finish: Exterior flange is polished.  
Siren speaker is ball-burnished.
- 2) For "through-the-bumper" mounting on  
2011 Chevy C3500 HD (only - No GMC).
- 3) Cutting templates required.

## SAD3810 SAP3810



## SAD3810 SAP3810 TTB Siren Speaker for 2011 Ford F750 Truck (SA3800 series)

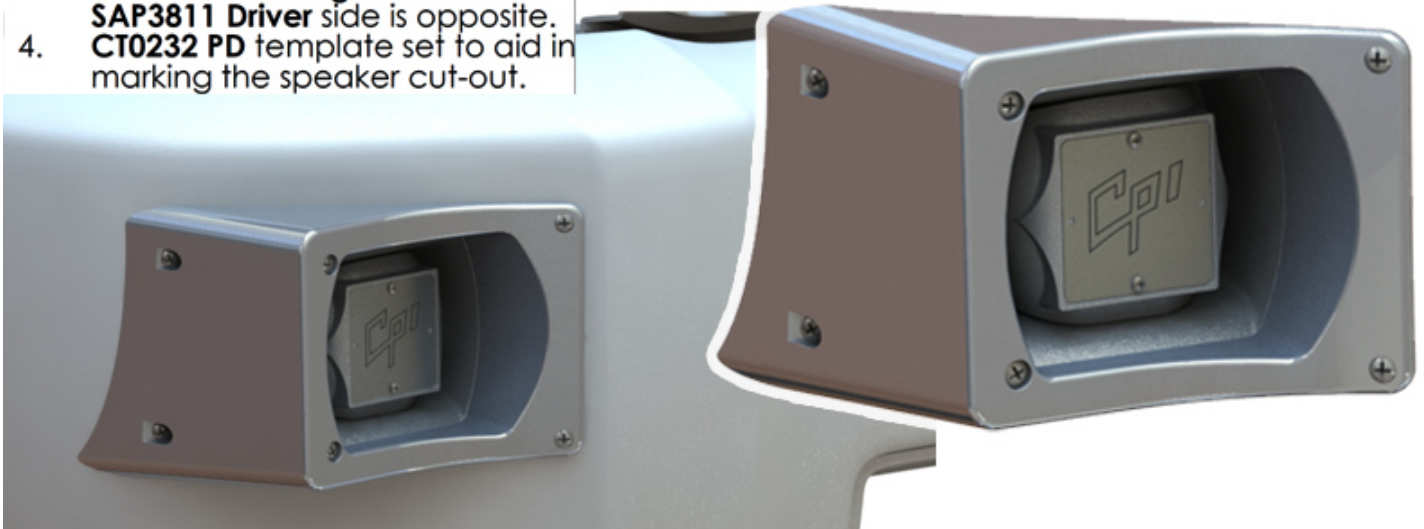


- 1) Finish: Exterior flange is polished.  
Siren speaker is ball-burnished.
- 2) For "through-the-bumper" mounting on 2011 Ford F750.
- 3) Cutting templates required.

## SAD3811 SAP3811

1. Finish: ball-burnished with flange exterior polished.
2. Through-the-bumper mount on the 2015 Chevy C3500 only (thru Foglight opening).
3. **SAP3811 Passenger** side shown. **SAP3811 Driver** side is opposite.
4. **CT0232 PD** template set to aid in marking the speaker cut-out.

## SAD3811 SAP3811 Driver / Passenger - Siren Speaker for 2015 Chevy C3500 - TTB Mount (SA3800 series speaker)



**SAD3813 SAP3813**

**SAD3813-15TRN-1  
SAP3813-15TRN-1**

TTB Siren Speaker for 2015 Ford Transit  
Cargo - TTB Mount (SA3800 series speaker)



1. Finish: interior is ball-burnished with exterior flange and face polished.
2. TTB Siren Speaker for 2015 Ford Transit (SA3800 series speaker)

**SAD3815 SAP3816**

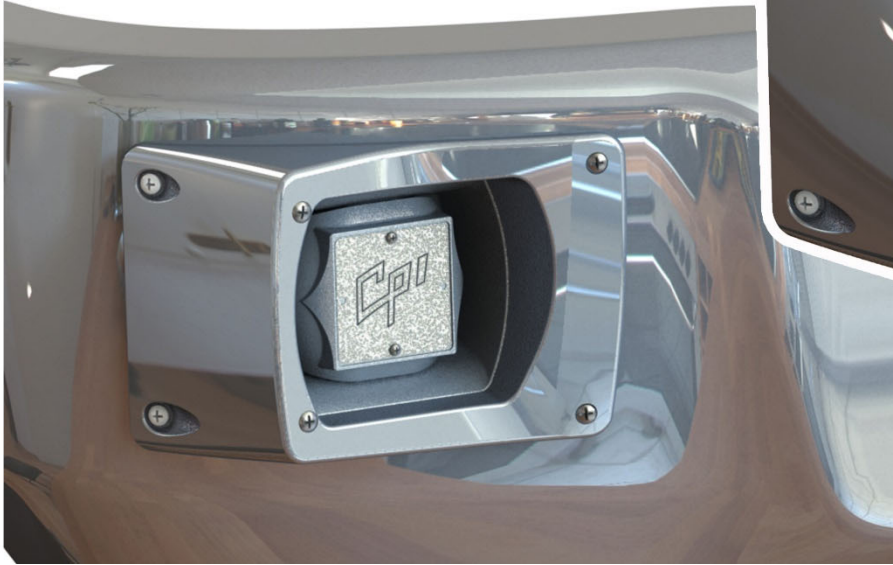
**SAD3815 SAP3816-17FSD-1**  
TTB Siren Speaker for 2017 Ford F450 SD -  
TTB Mount (SA3800 series speaker)



1. Finish: interior is ball-burnished with exterior flange and face polished.
2. TTB Siren Speaker for 2017 Ford F450 SD - TTB Mount (SA3800 series speaker)

**SAD3819 SAP3820**

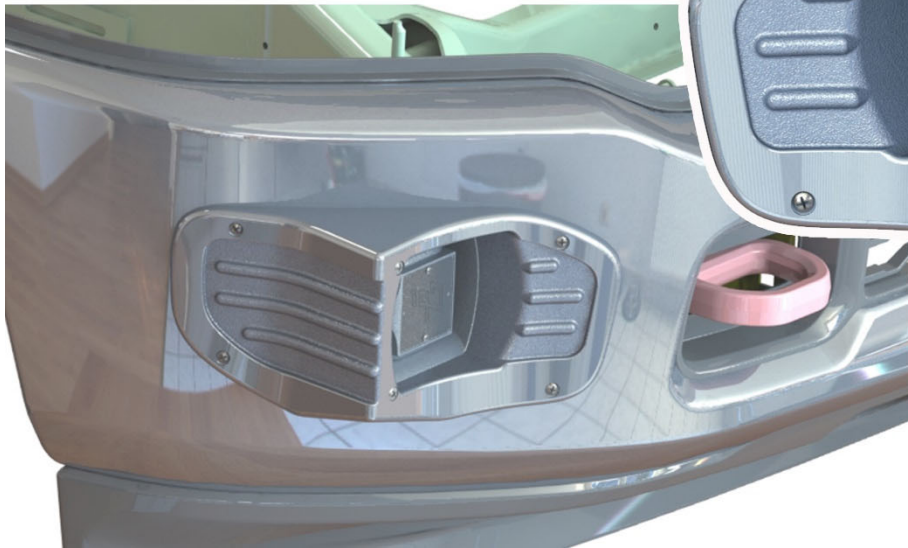
**SAD3819 SAP3820-19C45-1**  
TTB Siren Speaker for 2019 Chevy C4500 C5500  
TTB Mount (SA3800 series speaker) with or  
without Fog Light Openings



1. Finish: interior is ball-burnished with exterior flange and face polished.
2. TTB Siren Speaker for 2019 Chevy C4500 C5500 TTB Mount (SA3800 series speaker) with or without Fog Light Openings

**SAD3821 SAP3822**

**SAD3821**  
**SAP3822-19-RAM-3500-1**  
TTB Siren Speaker for 2019 Dodge Ram 3500,  
4500, 5500 (SA3800 series speaker)



1. Finish: interior is ball-burnished with exterior flange and face polished.
2. TTB Siren Speaker for 2019 Dodge Ram 3500, 4500, 5500 (SA3800 series speaker)

**SAD3823 SAP3824**

**SAD3823 SAP3824-19SPTR-1**  
TTB Siren Speaker for 2019 Sprinter with Front  
DEF Tank  
(SA3800 series speaker)



1. Finish: interior is ball-burnished with exterior flange and face polished.
2. TTB Siren Speaker for 2019 Sprinter with Front DEF Tank (SA3800 series speaker)

**SAD3826 SAP3825**

**SAD3826 SAP3825-20TRANSIT-1**  
TTB Siren Speaker for 2020 Ford Transit Cargo -  
Ferring TTB Mount (SA3800 series speaker)



1. Finish: interior is ball-burnished with exterior flange and face polished.
2. TTB Siren Speaker for 2020 Ford Transit Cargo - Ferring TTB Mount (SA3800 series speaker)

**SAD3827 SAP3828**

**SAD3827 SAP3828-20FSD-1**  
TTB Siren Speaker for 2020 Ford F Series SD -  
TTB Mount (SA3800 series speaker)



1. Finish: interior is ball-burnished with exterior flange and face polished.
2. TTB Siren Speaker for 2020 Ford F Series SD - TTB Mount (SA3800 series speaker)

**SAD3829 SAP3830**

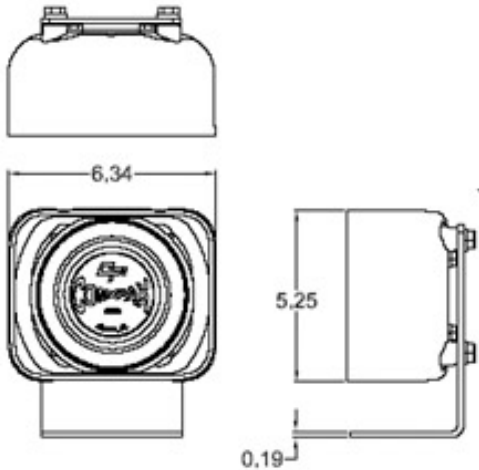
**SAD3829 SAP3830-20C35-1**  
TTB Siren Speaker for 2020 Chevy C3500 - TTB  
Mount (SA3800 Series Speaker)



1. Finish: interior is ball-burnished with exterior flange and face polished.
2. TTB Siren Speaker for 2020 Chevy C3500 - TTB Mount (SA3800 Series Speaker)

**SA4000 Series**

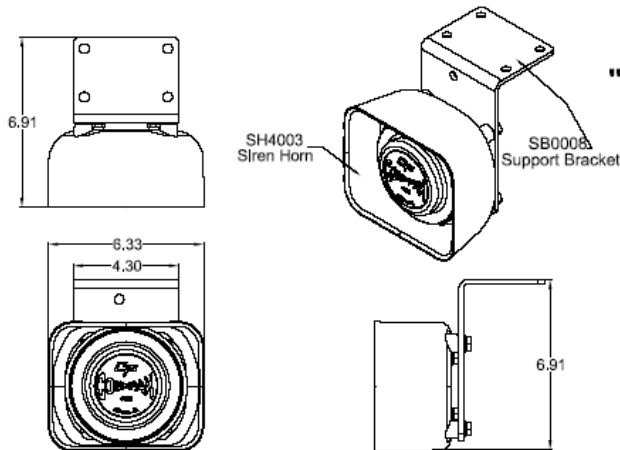
## SA4201



## SA4201 Compact Speaker with "L" Bracket

- 1) Finish: Cone and Horn are Ball-burnished. "L" bracket is Black Powder-Coated.
- 2) Important: See specs for matching electrical components and requirements.

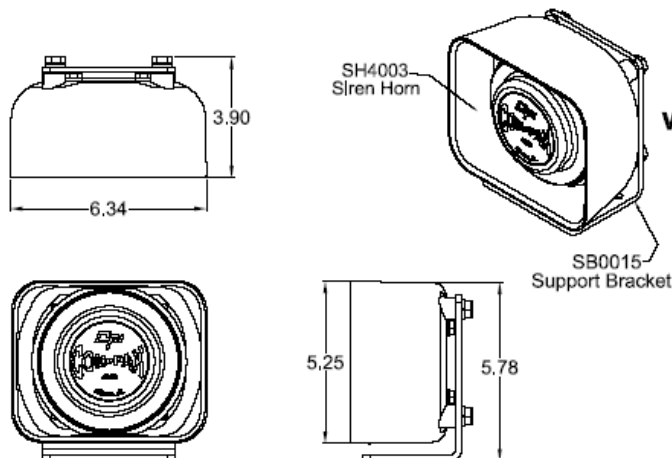
## SA4204



## SA4204 "Behind-the-Grille" Mount Compact Speaker

- 1) Finish: Cone and Horn are Ball-burnished. Bracket is Black Powder-Coated.
- 2) Important: See specs for matching electrical components and requirements.
- 3) Mounts behind the grille on the '98-'02 Ford Crown Victoria.

## SA4206

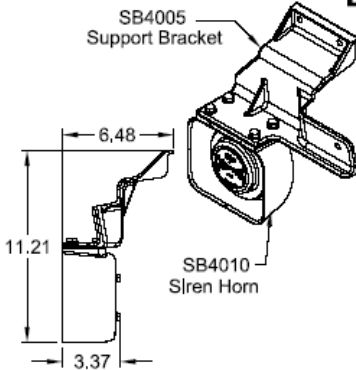
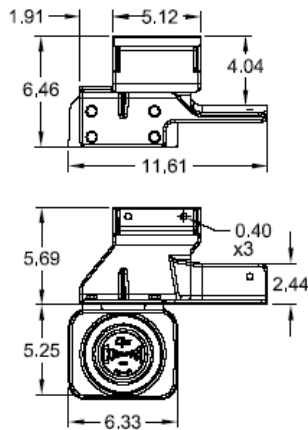


## SA4206 Compact Speaker with Shorter "L" Bracket

- 1) Finish: Cone, Horn and "L" Bracket are Black Powder-Coated.
- 2) Important: See specs for matching electrical components and requirements.



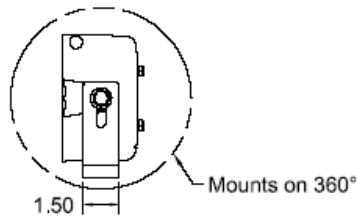
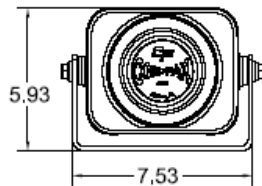
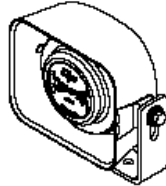
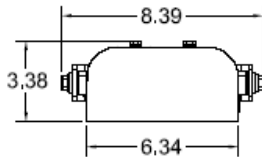
## SA4208



## SA4208 "Behind-the-Grille" Mount Compact Speaker

- 1) Finish: Cone and Horn are Ball-burnished, Brackets are Wheel-a-brated.
- 2) Important: See specs for matching electrical components and requirements.
- 3) Mounts behind the grille on the 2000-04 Chevy Tahoe and GMC Yukon.

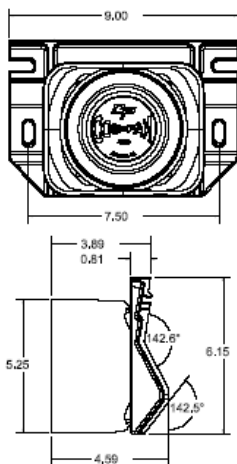
## SA4209



## SA4209 Compact Speaker w/ "U" Shaped Mounting Bracket

- 1) Finish: Cone and Horn are Ball-burnished. Bracket is Black Powder-Coated.
- 2) Important: See specs for matching electrical components and requirements.

## SA4210



## SA4210 Compact Speaker "Behind-the-Bumper" Mount, '94-2002 Chevy Camaro

- 1) Finish: Cone and Horn are Ball-burnished. Bracket is wheel-a-brated.
- 2) Important: See specs for matching electrical components and requirements.
- 3) "Behind-the-Bumper" Mount, '94-2002 Chevy Camaro

**SA4225**

**SA4225**  
Compact Speaker, "BTG"  
Mount, 2015 Dodge Charger,  
"Behind-the-Grille mount"

1) Finish: black powder coated.



**SA4226**

**SA4226**  
Compact Speaker, "BTG"  
Mount, 2015 Chevy Tahoe,  
"Behind-the-Grille mount"

1) Finish: black powder coated.

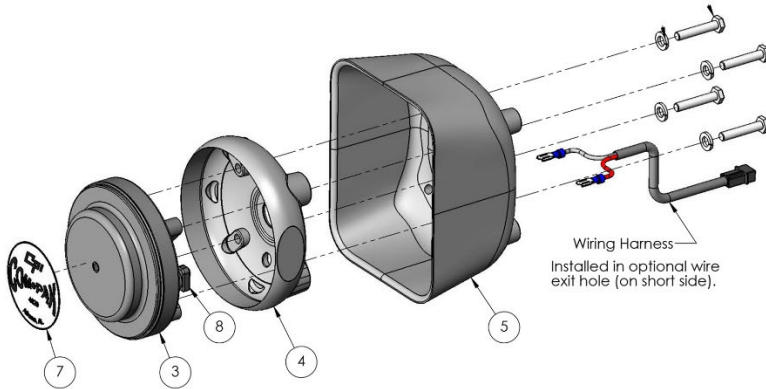


## SA4227

### SA4227-6BHG-A

Compact Speaker, w/ Wire Connector and Harness  
(No Bracket)

1. Finish: powder coated black high gloss.
2. Compact Speaker, w/ Wire Connector and Harness (No Bracket)

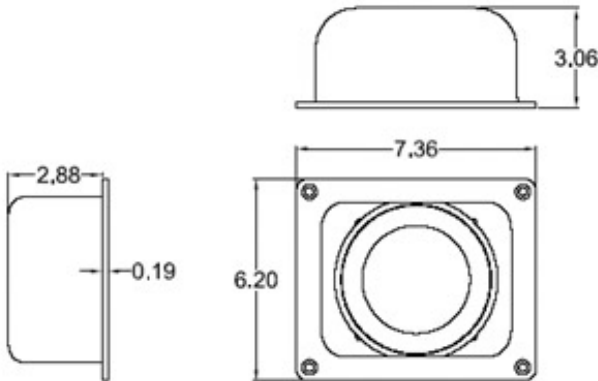


## SA4301

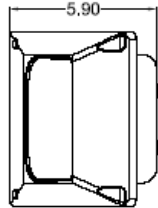
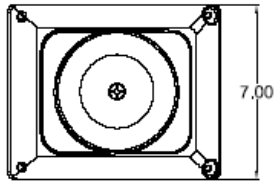
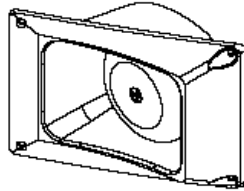
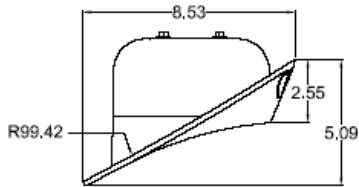
### SA4301

"Through-the-Bumper"  
Compact Speaker w/ Flat  
Mounting Flange

- 1) Finish: Cone is Ball-burnished. Housing is polished.
- 2) Important: See specs for matching electrical components and requirements.
- 3) Designed to mount through the bumper of most firetrucks.



### SA4303

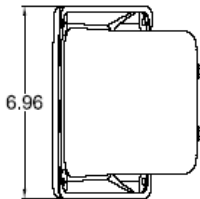
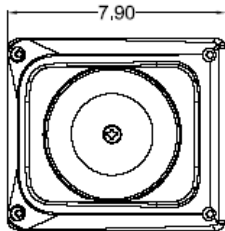
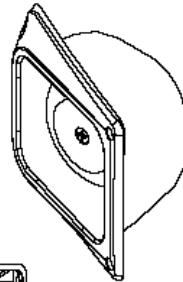
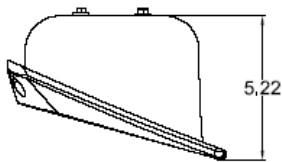


### SA4303

#### "Through-the-Bumper" Compact Speaker

- 1) Finish: Cone and Housing are Ball-burnished.
- 2) Important: See specs for matching electrical components and requirements.
- 3) Designed to mount through the bumper of the '93-'99 Freightliner FL60.

### SA4305

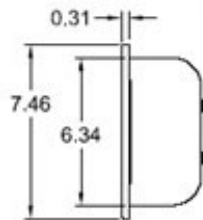
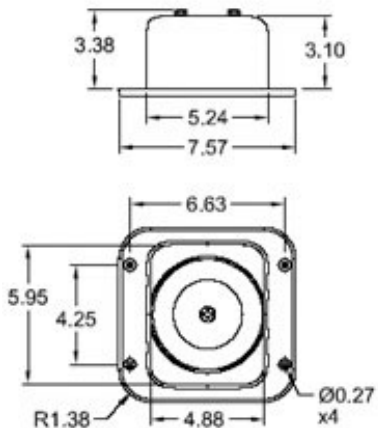


### SA4305

#### "Through-the-Bumper" Compact Speaker

- 1) Finish: Cone is Ball-burnished. Housing is polished.
- 2) Important: See specs for matching electrical components and requirements.
- 3) Designed to mount through the bumper of the '99 Ford F650, F750.

### SA4306

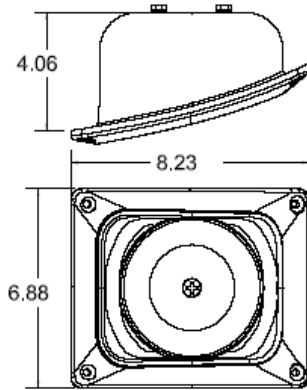


### SA4306

#### "Through-the-Bumper" Compact Speaker

- 1) Finish: Cone is Ball-burnished. Housing is polished.
- 2) Important: See specs for matching electrical components and requirements.
- 3) Designed to mount through the bumper of the '99 Ford F650, F750.

## SA4310

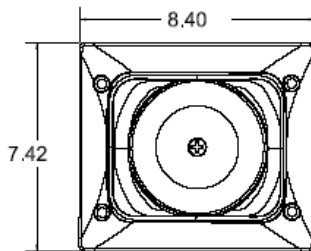


## SA4310

**Compact Speaker,  
"Through-the-Bumper"  
Mount, 2003-05  
International 7400**

- 1) Finish: Cone is Ball-burnished. Housing is polished.
- 2) Important: See specs for matching electrical components and requirements.
- 3) Compact Speaker, "Through-the-Bumper" Mount, 2003-05 International 7400

## SA4311

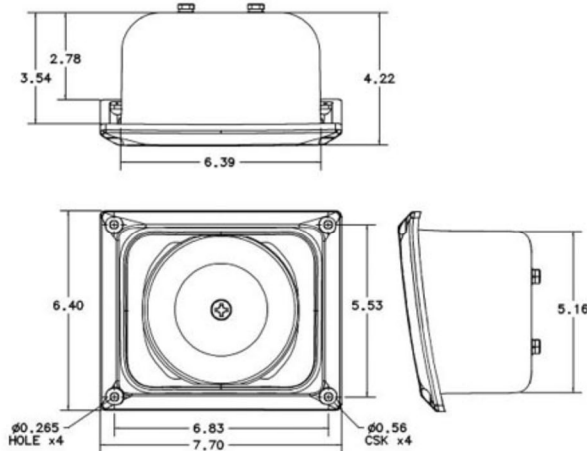


## SA4311

**Compact Speaker,  
"Through-the-Bumper"  
Mount, 2003-05 M2  
Freightliner**

- 1) Finish: Cone is Ball-burnished. Housing is polished.
- 2) Important: See specs for matching electrical components and requirements.
- 3) Compact Speaker, "Through-the-Bumper" Mount, 2003-05 M2 Freightliner w/ pre-cut holes

## SA4316

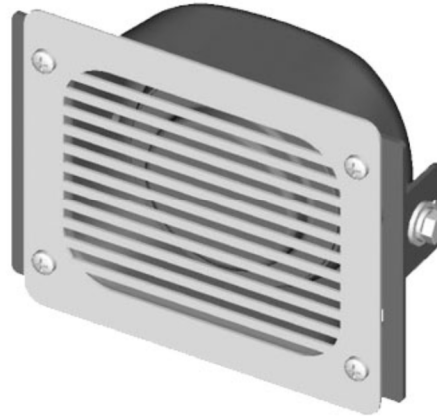
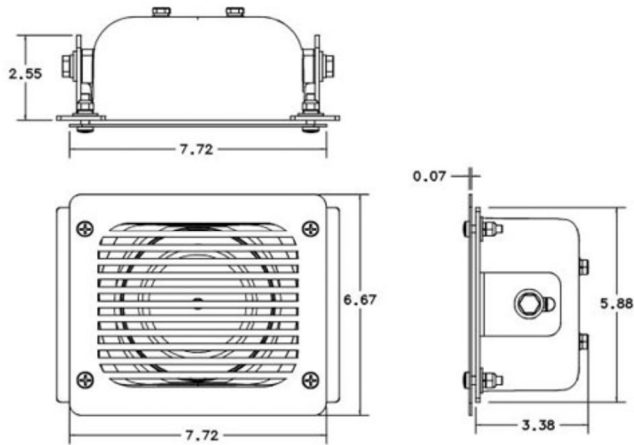


## SA4316

**Compact Speaker,  
"Through-the-Bumper"  
Mount, 2007-08 G3500 Van  
(for Dual Center Mount)**

- 1) Finish: Polished cone and exterior flange with interior ball-burnished.

## SA4317

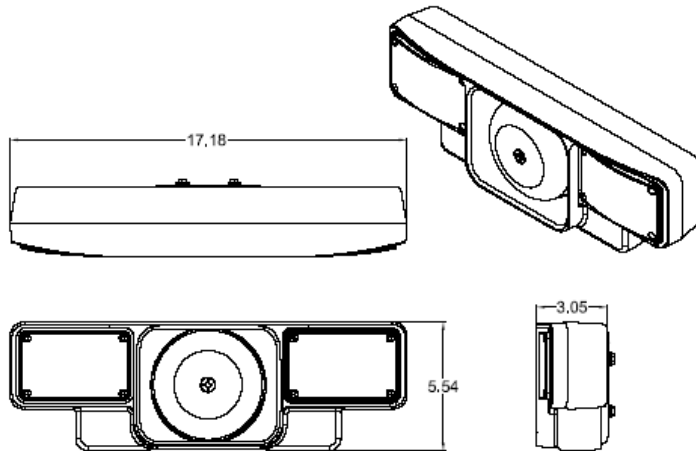


## SA4317

**Compact Speaker,  
"Through-the-Bumper"  
Mount - Universal  
(Stamped Face Trim)**

- 1) Finish: Stamped face trim is polished. Housing, cone and brackets are black powder-coated.

## SA4401

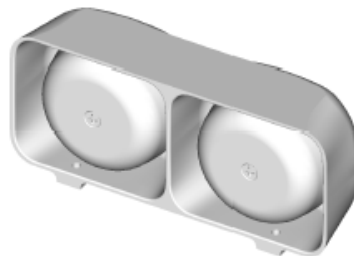
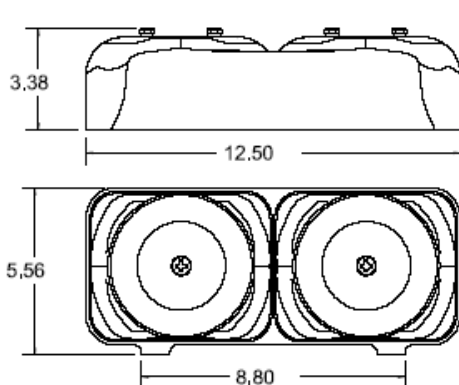


## SA4401

**Bumper Mount  
Compact Speaker**

- 1) Finish: Cone is Ball-burnished. Housing is polished.
- 2) Important: See specs for matching electrical components and requirements.
- 3) Bumper Mount design with 2 3" x 5" linear strobe lights.
- 4) Light Spacer available for older 3" x 4" lights.

## SA4402

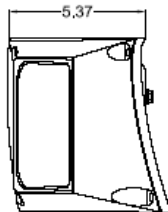
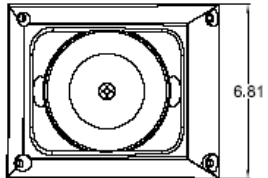
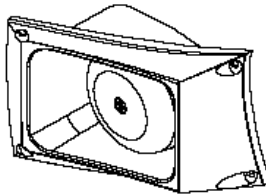
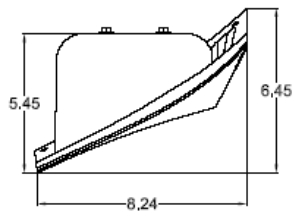


## SA4402

**Double Compact  
Speaker, Bumper  
Mount**

- 1) Finish: Ball-burnished.
- 2) Double Compact Speaker, Bumper Mount

## SAD4302 SAP4302

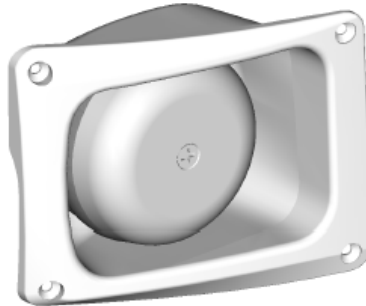
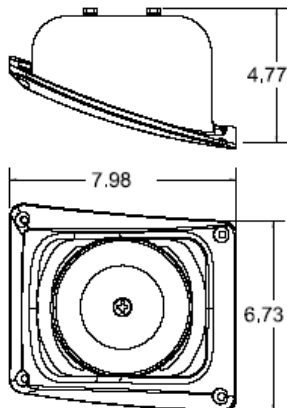


## SAD SAP4302

### Through-the-Bumper Mount Compact Speaker 99-05 Ford F Series SD

- 1) Finish: Ball-burnished with cone and flange polished.
- 2) Important: See specs for matching electrical components and requirements.
- 3) Designed to mount through the bumper on 1999-05 Ford F Series SD

## SAD4307 SAP4307

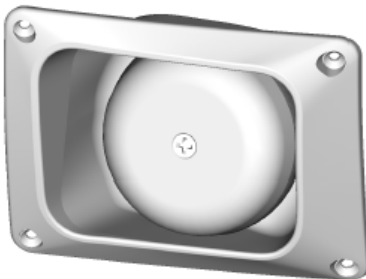
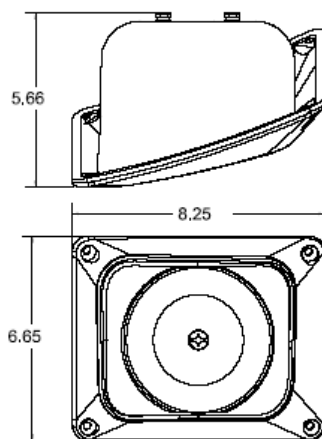


## SAD SAP4307

### Compact Speaker, Driver, "TTB" Mount, 2002-05 International 4300-4400

- 1) Finish: Ball-burnished with cone and flange polished.
- 2) Important: See specs for matching electrical components and requirements.
- 3) Designed to mount through the bumper, 2002-05 International 4300-4400

## SAD4308 SAP4308

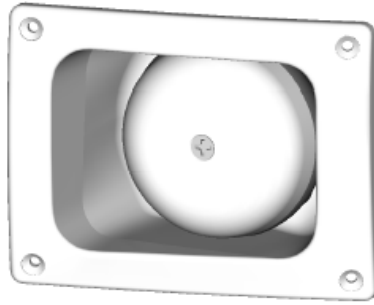
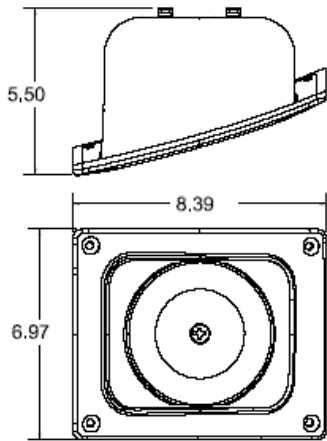


## SAD SAP4308

### Compact Speaker, Driver, "TTB" Mount, 2003-05 Chevy C4500

- 1) Finish: Ball-burnished with cone and flange polished.
- 2) Important: See specs for matching electrical components and requirements.
- 3) Designed to mount through the bumper, 2003-05 Chevy C4500

## SAD4309 SAP4309

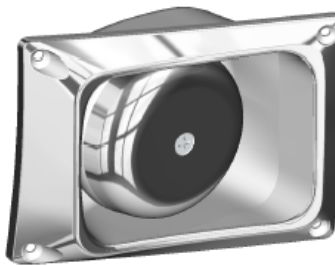
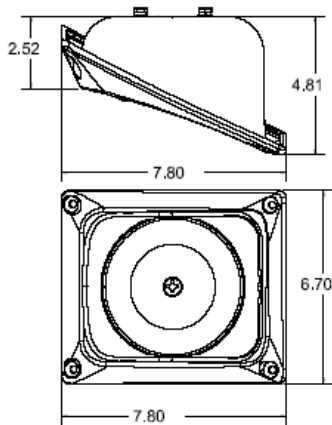


## SAD SAP4309

**Compact Speaker, Driver,  
"TTB" Mount, 2003-05 Ford  
E550 SD Van**

- 1) Finish: Ball-burnished with cone and flange polished.
- 2) Important: See specs for matching electrical components and requirements.
- 3) Designed to mount through the bumper, 2003-05 Ford E550 SD Van

## SAD4312 SAP4312

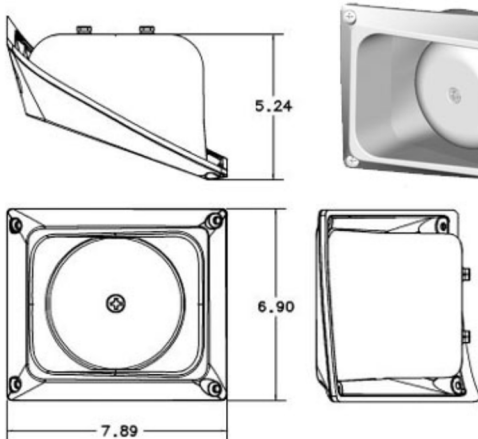


## SAD SAP4312

**Compact Speaker, Driver,  
"TTB" Mount, 2005 Ford  
F350 SD**

- 1) Finish: Ball-burnished with cone and flange polished.
- 2) Important: See specs for matching electrical components and requirements.
- 3) Designed to mount through the bumper, 2005 Ford F350 SD

## SAD4314 SAP4314

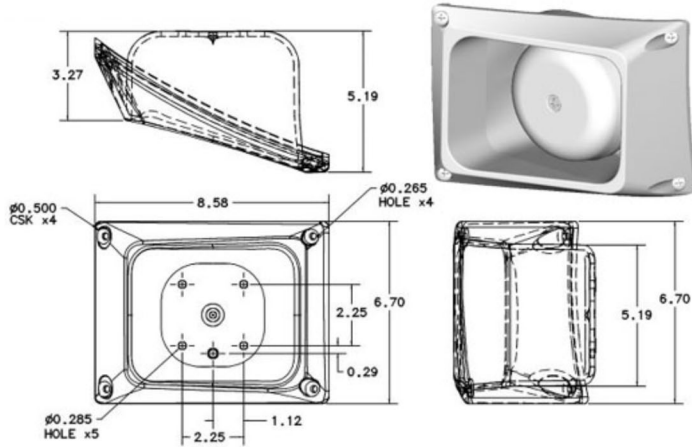


**SAD SAP4314**  
**Compact Speaker,  
"Through-the-Bumper"  
Mount (2008 Ford F350 SD)**

- 1) Finish: Polished cone and polished exterior flange with interior ball-burnished.
- 2) SAD4314 Driver side  
SAP4314 Passenger side.



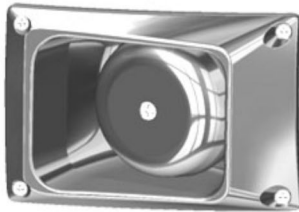
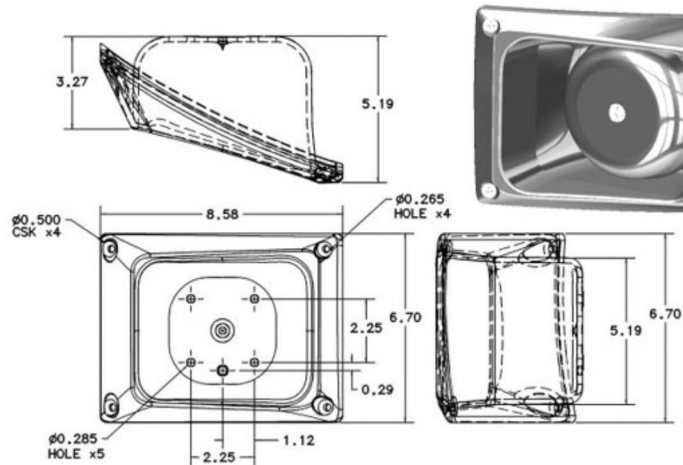
## SAD4318 SAP4318



### SAD SAP4318 Compact Speaker, (2008 International 4300 Maxx- Force DT - TTB Mount)

- 1) Finish: Polished cone and polished exterior flange with interior ball-burnished.
- 2) SAD4318 Driver side  
SAP4318 Passenger side.

## SAD4319 SAP4319



### SAD SAP4319 Compact Speaker, (2008 Ford E350 SD Van Chassis - TTB Mount)

- 1) Finish: Polished cone and polished exterior flange with interior ball-burnished.
- 2) SAD4319 Driver side  
SAP4319 Passenger side.

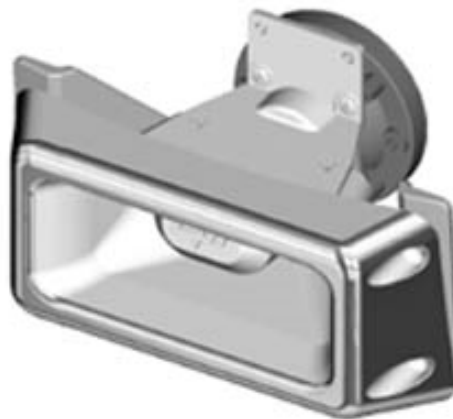
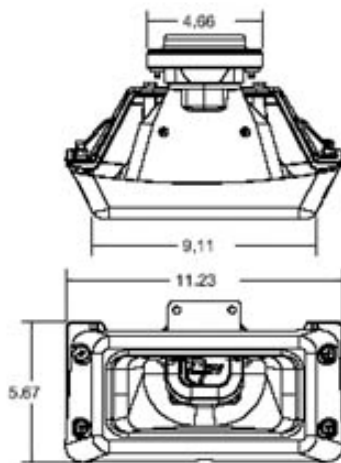
**SAD4321**



**SAD4321-8FSD-6B**  
Driver Side Speaker (2008 Ford F Series  
SD - BTB Mount - Fog Light opening)

**SA5000 Series**

**SA5403**



**SA5403**  
Siren Speaker,  
"Through-the-Bumper"  
Mount 2003-05 Freightliner  
M2 - pre-cut holes

- 1) Finish: Trim Bezel is polished. Cone, Horn and bracket are Wheel-a-brated.
- 2) Important; See specs for matching electrical components and requirements.
- 3) Siren Speaker, "Through-the-Bumper" Mount 2003-05 Freightliner M2 - pre-cut holes

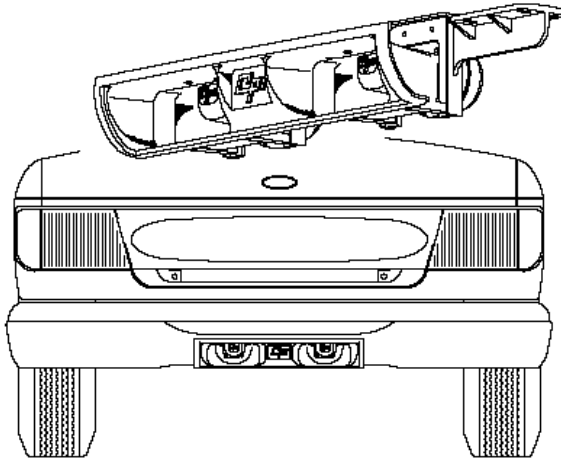
## SA5414



## SA5414 Siren Speaker Assembly, "Through-the-Bumper" Mount (International TerraStar)

1) Finish: Polished exterior flange with interior ball-burnished.

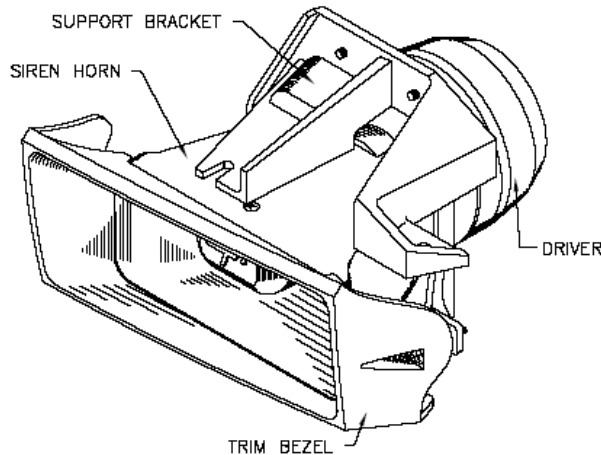
## SA5501



## SA5501 "Under-the-Bumper" Mount Siren Speaker

- 1) Finish: Trim Bezel is polished. Cone and Horn are Ball-burnished. Bracket is wheel-a-brated.
- 2) Important: See specs for matching electrical components and requirements.
- 3) Designed as an under the bumper mount on most heavy duty vehicles.

## SAD5401 SAP5401

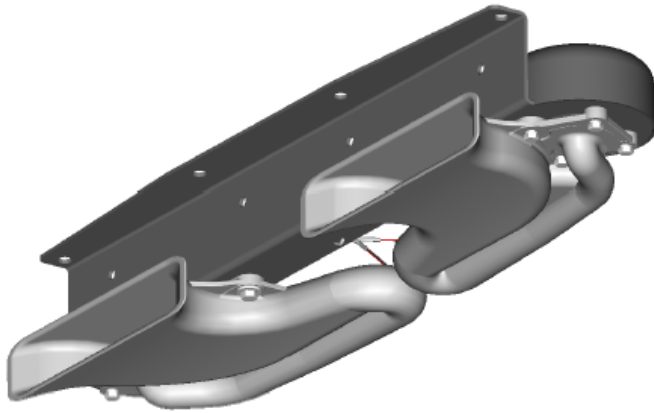


## SAD SAP5401 Under-the-Bumper Mount Siren Speaker

- 1) Finish: Trim Bezel, Cone, and Horn are Wheel-a-brated.
- 2) Important: See specs for matching electrical components and requirements.
- 3) Designed to mount under the bumper.

## SA6000 Series

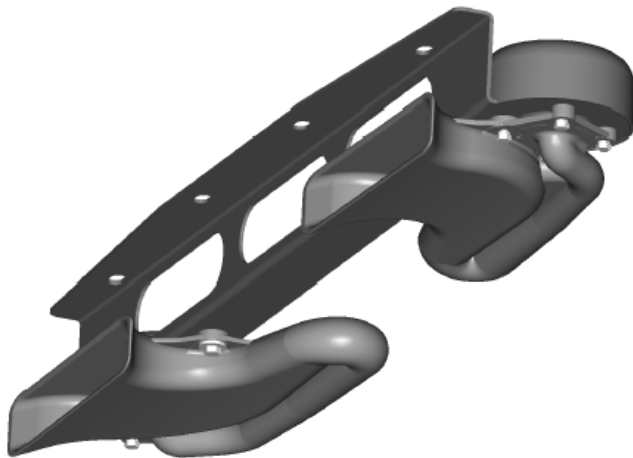
**SA6004**



### **SA6004** **Dual Siren Speakers** **"Under-the-Bumper" Mount** **'2000-04 Ford E350**

- 1) Finish: black powder-coated.
- 2) Important: See specs for matching electrical components and requirements.
- 3) Dual Siren Speakers "Under-the-Bumper" Mount '2000-04 Ford E350

**SA6011**



### **SA6011** **Dual Siren Speakers** **"Under-the-Bumper" Mount** **2005 Ford E350 Van**

- 1) Finish; black powder-coated.
- 2) Important; See specs for matching electrical components and requirements.
- 3) Dual Siren Speakers "Under-the-Bumper" Mount 2005 Ford E350 van w/ center bumper holes.



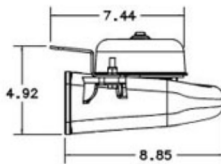
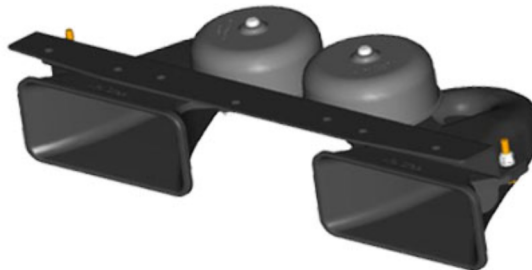
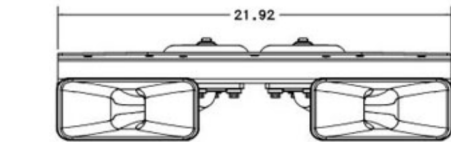
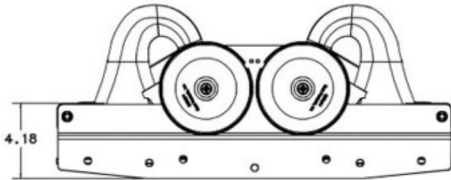
## SA6016



### **SA6016** Dual Siren Speaker, "Under-the-Bumper" Mount 2008 Ford E350 Van Chassis (Center Mount UTB)

1) Finish: Powder coated black.

## SA6113

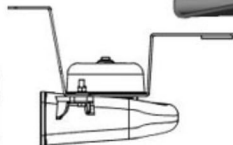
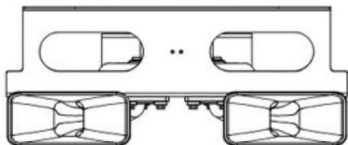
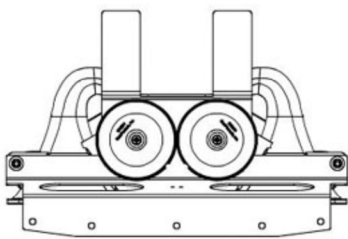


### **SA6113** Dual Siren Speaker, "Under-the-Bumper" 6100 Series Mount 2008 Ford F350 SD

1) Finish: Powder coated black.



## SA6114



### **SA6114** Dual Siren Speaker, "Under-the-Bumper" 6100 Series Mount 2007- 08 Chevy/GMC C3500 HD - new body style (Center Mount UTB)

1) Finish: Powder coated black.



**SA6117**



**SA6117-15FTC-6B**  
**Dual Siren Speaker Each,**  
**"Under-the-Bumper" Mount**  
**2015 Ford Transit Cargo Van**  
**(Center Mount UTB)**

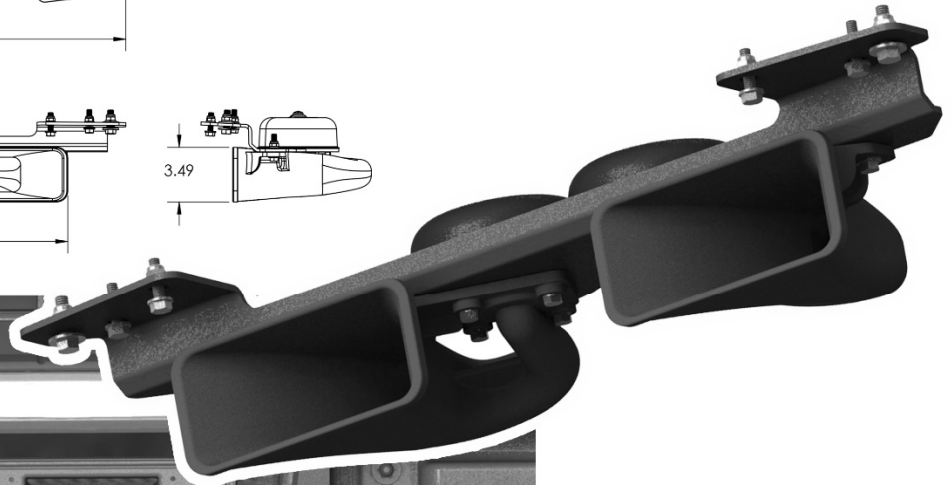
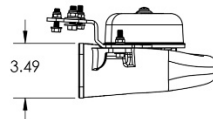
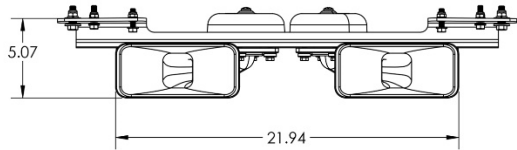
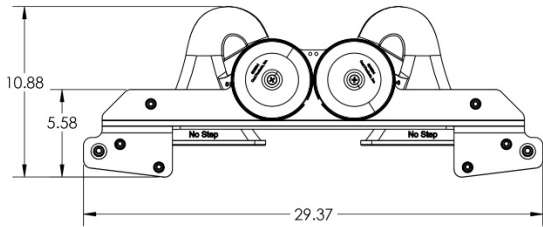
1) Finish: Black powder-coated



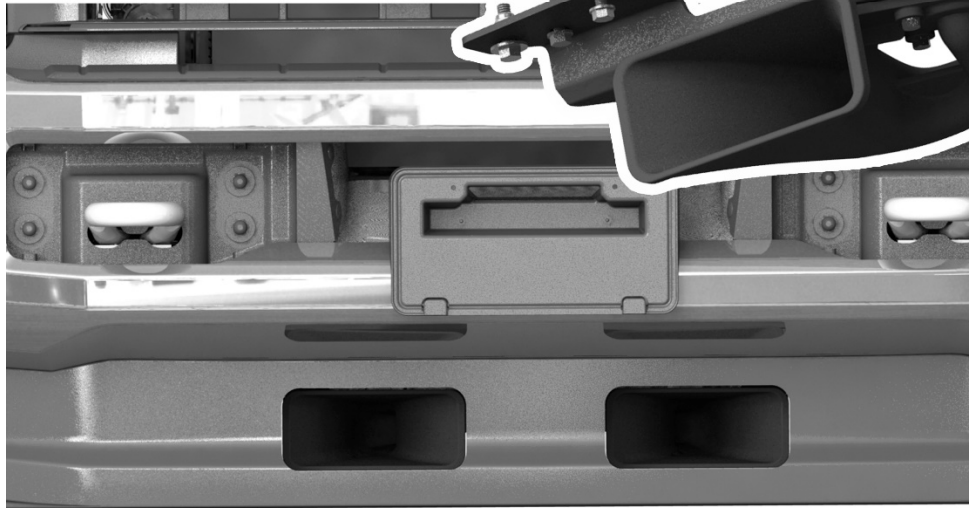
**SA6118**

# SA6118-17FSD-6B

SA6100 Series UTB 2017 Ford F Series SD

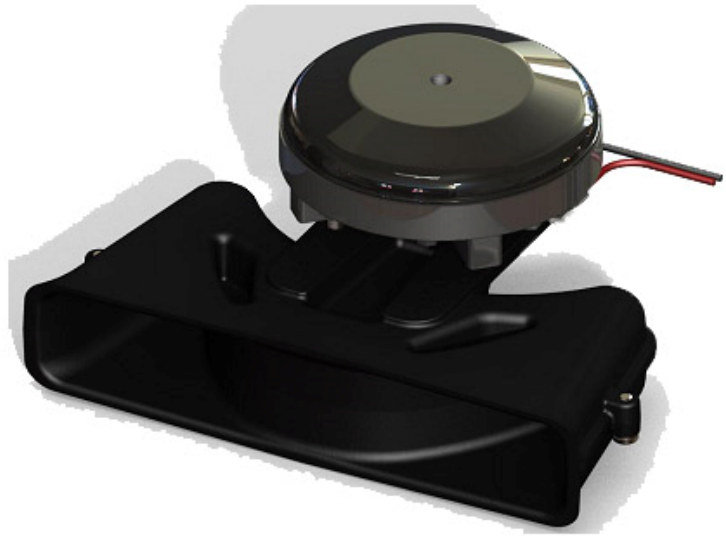


1. Dual Siren Speaker Each, "Under-the-Bumper" Mount 2017 Ford F450 SD (Center Mount UTB)
2. Finish: powder coated black.



**SA6300**

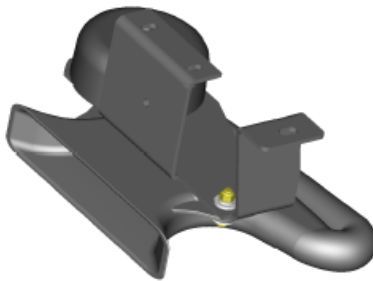
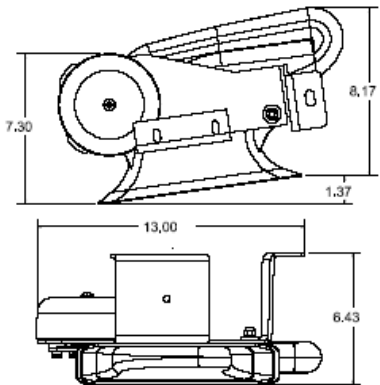
**SA6300**  
Vertical siren speaker



**SAD6007 SAP6007**

**SAD SAP6007**

**Under-the-Bumper  
Mount Siren  
Speaker 2004-05  
Ford E350**



- 1) Finish: powder-coated black or wheel-a-brated.
- 2) Important: See specs for matching electrical components and requirements.
- 3) Designed to mount under the bumper 2004-05 Ford E350



**SAD6301 SAP6301**

- 1) Finish: powder coated black
- 2) For "Through-the-Bumper" Mount 2008-11 Sprinter.

**SAD SADP6301 Siren Speaker Assembly, "Through-the-Bumper" Mount 2008-11 Sprinter4300**



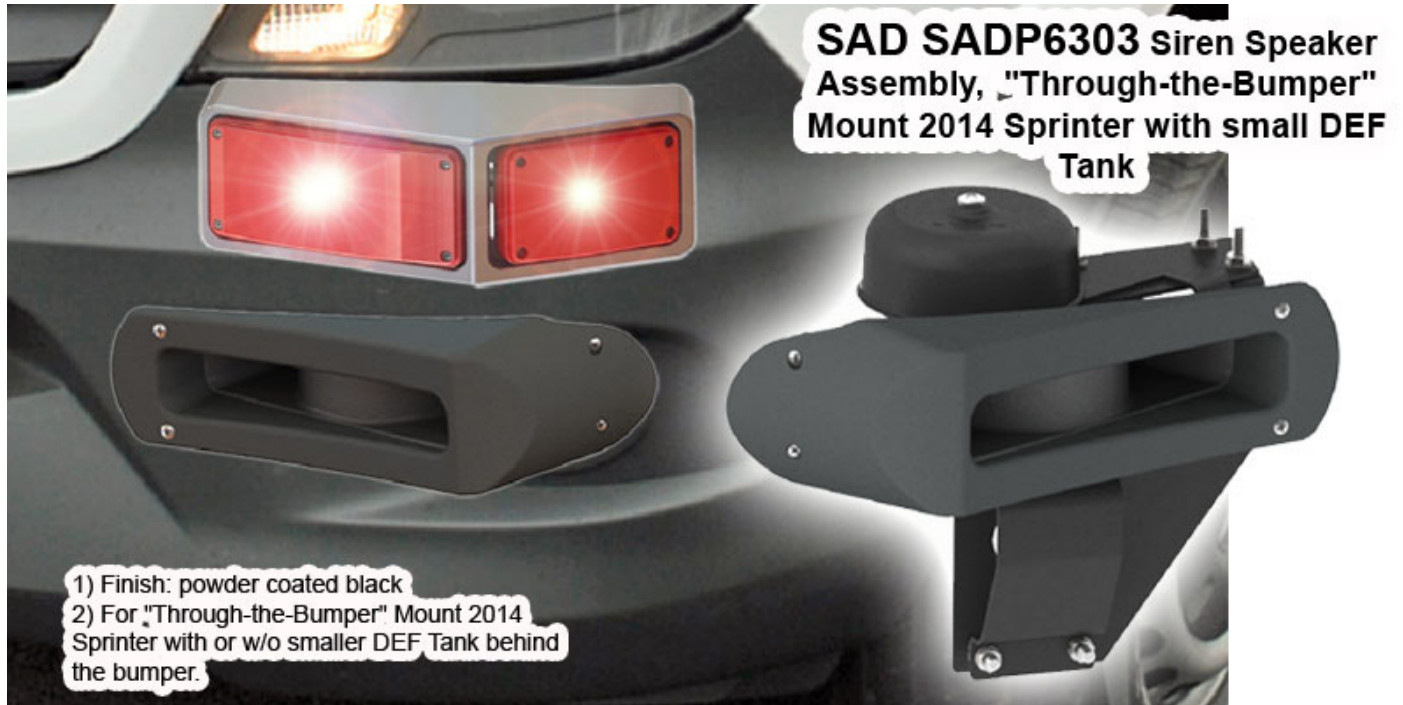
**SAD6302 SAP6302**

- 1) Finish: powder coated black
- 2) For "Through-the-Bumper" Mount 2008-11 Sprinter with the smaller DEF Tank option.

**SAD SADP6302 Siren Speaker Assembly, "Through-the-Bumper" Mount 2008-11 Sprinter4300 with small DEF Tank**



## SAD6303 SAP6303



## SA7000 Series

### SA7001



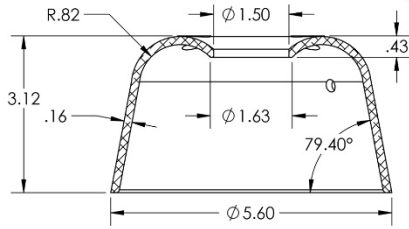
### SA7001 Round Siren Speaker

- 1) Finish: Light Gray or Wheel-a-brated. Cone finish is light gray (Wheel-a-brated), painted, or polished.
- 2) Important: See specs for matching electrical components and requirements.

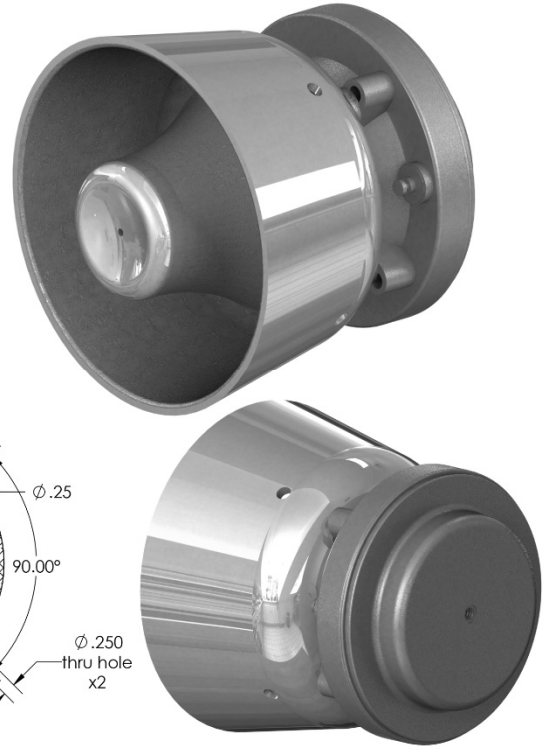
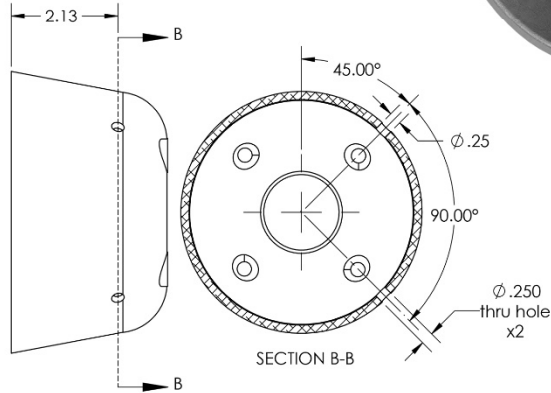
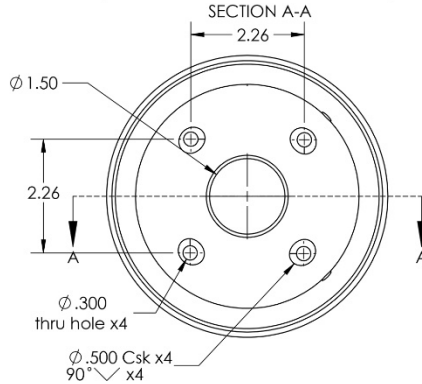
SA7001-A

# SA7001-1-A

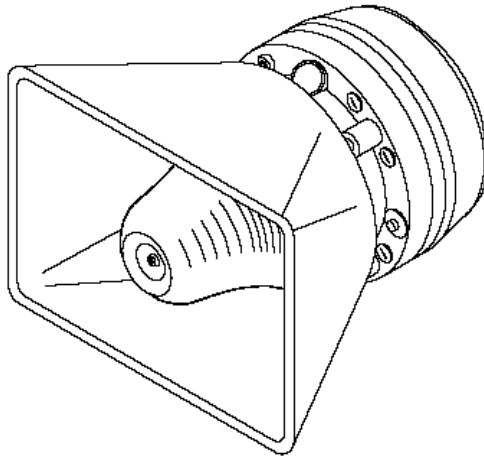
Siren Speaker, Round Cast Bell  
Housing w/ 2 side mounting holes



1. Finish: Polished exterior  
with ball-burnished interior.



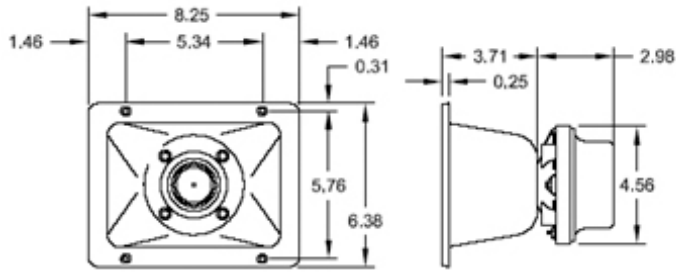
SA7003



## SA7003 Rectangular Siren Speaker

- 1) Finish: Light Gray or Wheel-a-brated. Cone finish is light gray (Wheel-a-brated), painted or polished.
- 2) Important: See specs for matching electrical components and requirements.

## SA7004

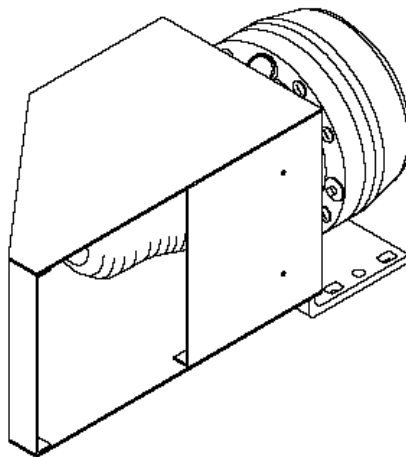


## SA7004 Rectangular Siren Speaker with Mounting Flange

- 1) Finish: Light Gray or Wheel-a-brated. Cone finish is light gray (Wheel-a-brated), painted or polished.
- 2) Important: See specs for matching electrical components and requirements.



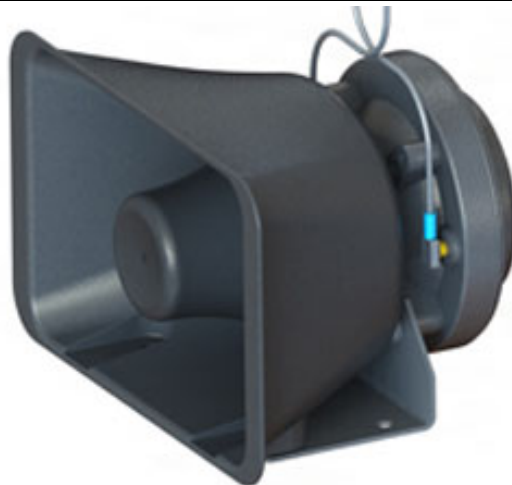
## SA7006



## SA7006 Gray Metal Concealed Siren Speaker

- 1) Finish: Gray Metal.
- 2) Important: See specs for matching electrical components and requirements.
- 3) Concealable, for many applications including behind-the-grille mounts.

## SA7007



## SA7007 ABS Rectangular Siren Speaker

- 1) Finish: Black
- 2) Important: See specs for matching electrical components and requirements.
- 3) Industry standard lightbar speaker.
- 4) Lightbar, Grille, or Push-bar mount.

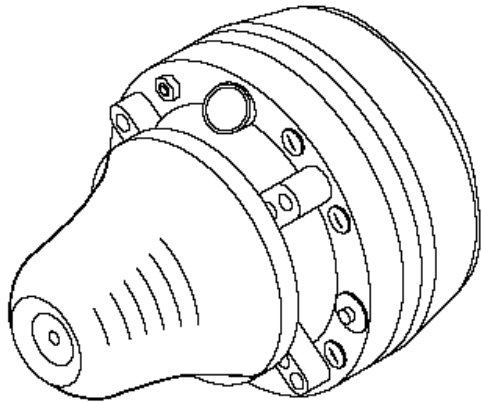
**SA7010**



**SA7010**  
**Siren Speaker for**  
**International C4700**  
**Bumper Holes**

- 1) Finish: Ball-burnished.
- 2) Important: See specs for matching electrical components and requirements.
- 3) Mounts to the 4" x 6" holes found in the chrome plated bumpers on the International C4700 Heavy Duty Trucks.

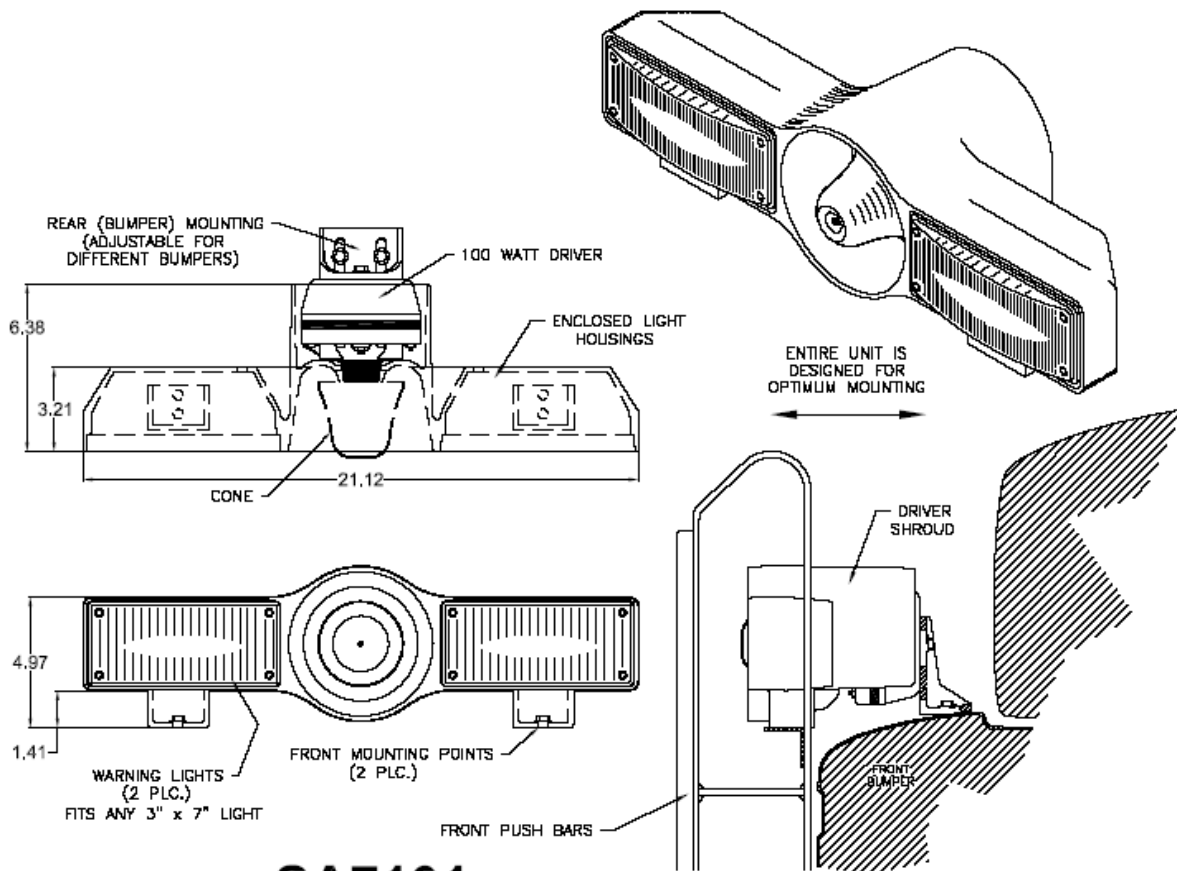
**SA7011**



**SA7011**  
**Siren Speaker**

- 1) Finish: Black Powder-Coated.
- 2) Important: See specs for matching electrical components and requirements.
- 3) Speaker Driver and Short screw-on tip only.

# SA7101

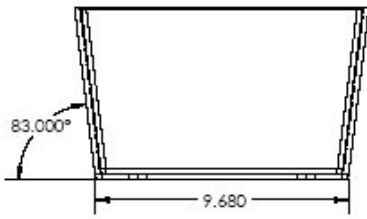


## SA7101

### Push-Bar Mount Siren Speaker for 3" x 7" Warning Lights

- 1) Black powder coated or Wheel-a-brated (Light Gray).
- 2) Important: See Specs for matching electrical components and requirements.
- 3) Application: Mounts to the Push-bar between the uprights and uses an optional adjustable bracket for supporting the driver weight (to help eliminate vibration). Different brackets for other vehicle applications can be made upon request.

SH0001



**SH0001**  
**Siren Box Casting**

1)Finish: Exterior Surface Polished

