



**Cast Products, Incorporated**  
**18676 N. Jefferson St.**  
**Athens, AL 35612**

**Office: 800.468.2278**  
**Fax: 256.233.6238**  
**[www.getcpi.com](http://www.getcpi.com)**

To our Customers,

Cast Products, Inc. (“CPI”) is an engineering and manufacturing company specializing in cast aluminum products. Our unique line of superior products has served a variety of manufacturers that operate in the emergency medical, fire apparatus, police, specialty vehicle, marine, trailer, and lighting industries. With over 150 highly trained manufacturing personnel and facilities that encompass 85,000 square feet, we are dedicated to meet the growing needs of our current and future customers.

CPI’s team of highly trained and dedicated personnel enjoys challenges offered by the innovative needs of our customers. Our Engineering Department and Tooling Specialists use SolidWorks and CNC technology to develop high quality, production-ready patterns in a timely manner. In addition, our sales and customer service staff is always available to provide a personalized service in selecting the right product for your application.

Our 2021 Catalog is filled with product ideas for your selection. If you have a special need which you do not find, if you need help in selecting a product, or if you need additional technical information, we will be happy to help you.

---

©2021 Cast Products, Inc. Athens, Alabama. Printed in the United States of America. ALL RIGHTS RESERVED. Nothing in this catalog may be reproduced in any manner either, wholly, of in part for any reason whatsoever without the written permission of Cast Products, Inc.



Since 1979



Weight Range: ounces to 25 lbs.  
Quantities: 1 to 30,000 annual usages  
Type of Molding: Green Sand  
Alloys: AL 356.2 and AL 319

**-Engineering Department-**

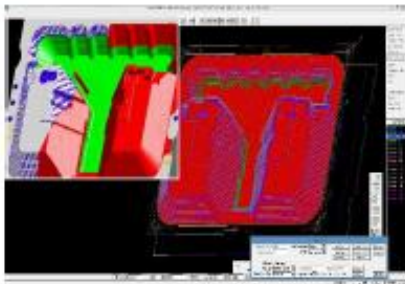
- Design Support and feasibility reviews
- Initial cost estimating/quote development
- Reviews of customer 2D and 3D data
- Analysis of part dimensioning and tolerances
- Provide 2D prints & project renderings
- Fixture creation and design secondary machining operations

**-Tooling Department-**

- Initial pattern design, creation and setup
- Annual maintenance

**-The Foundries-**

- Green sand molding
- 1 automated Robert Sinto 20x24 molding machine
- 6 manual jolt-squeeze molding machines with 7 standard flask sizes
  - 12x22; 13x18; 14x14;14x24;16x16
  - 18x28; 20x24; 22x42; 26x32
- 4 - 2300 lbs. Thermtronix electric furnaces
- 2 Sand Shell Core Machines (semi-automatic)



**-Finishing-**

- As Cast
- Grinding
- Polishing
- Vibratory Finishing (VFM)
- Burnishing
- Media blasting
- Shot blasting

**-Machining & CNC Department-**

- 5 3-axis CNC Machines
  - VMC 6030 and VMC 4020
- Conventional and Complex CNC Machining
- Post machining processes
- Milling, drilling, and tapping

**-Available Services-**

- Full assembly and sub-assembly capabilities
- Services from qualified outside source(s)
  - Painting & Powdercoating
  - Die-castings & Permanent Mold
  - Chrome Plating
  - Rubber Components – rotary, injection, and extruded
  - Metal stampings





## Warranty and Returns

### **Warranty: General products;**

Cast Products, Inc. (CPI) warrants all aluminum castings, stainless steel stampings, aluminum extrusions, rubber or plastic molded products manufactured by CPI to be free of defects due to material and or workmanship sixty days from the CPI shipping date. This warranty does not cover ordinary wear, negligence, alterations or deterioration of surface finish due to lack of cleaning and or polishing in normal use. It is the responsibility of the purchaser / owner to routinely clean and polish the surface of the product to maintain the original shine and luster as delivered.

### **Warranty: Siren speaker drivers;**

Cast Products, Inc. (CPI) warrants all new siren speaker drivers for a period of two years under normal use and service, from the marked product date code to the end user. This warranty does not cover speaker drivers subjected to abuse, misuse, improper operating voltage, modifications or incorrect installations. This warranty does not cover deterioration of the speaker housing surface finish beyond the sixty days as stated for aluminum castings. It is the responsibility of the purchaser / owner to routinely clean and polish the surface of the product to maintain the original shine and luster as delivered.

### **Warranty: Chrome plated and powder coated castings;**

Cast Products, Inc. (CPI) warrants all chrome plated and powder coated castings manufactured by CPI to be free of defects due to material or workmanship for a period not to exceed one (1) year from the CPI shipping date. This warranty does not cover ordinary wear, negligence, or alterations made by the purchaser or deterioration of surface finish due to lack of cleaning and or polishing of the material in normal use. It is the responsibility of the purchaser / owner to routinely clean the surface of the product to maintain the original shine and luster as delivered.

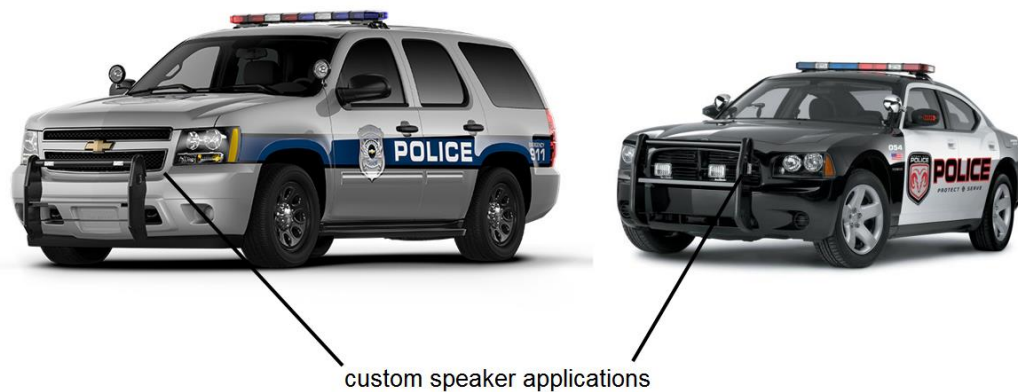
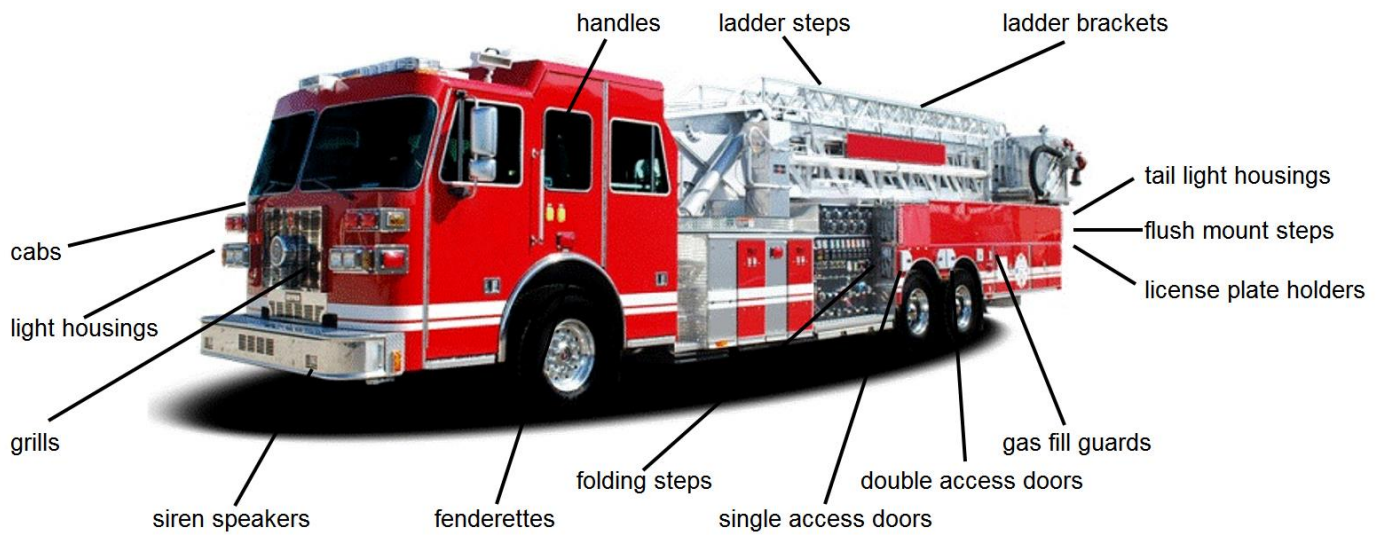
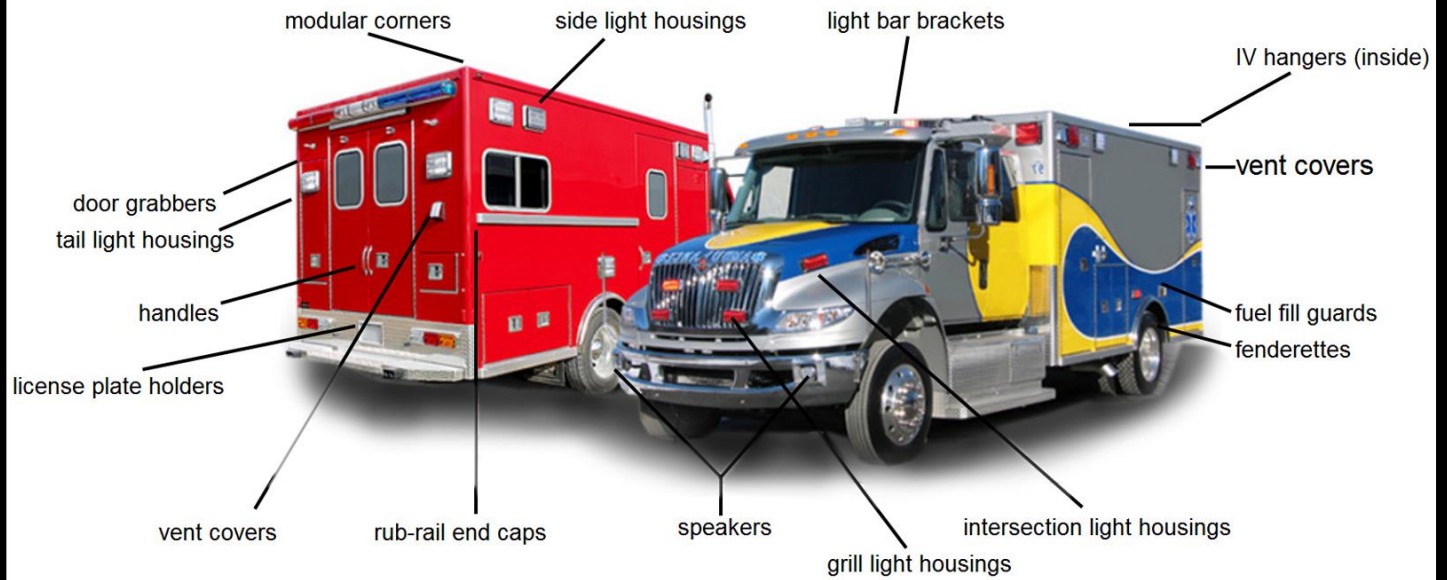
### **Warranty: Lights / LED Lights;**

Cast Products, Inc. (CPI) warrants Lights / LED Lights to be free of defects due to material or workmanship for a period not to exceed one (1) year from the CPI shipping date (Supplier Warranty).

### **Product Returns Policy:**

No product may be returned for credit without the prior authorization from Cast Products, Inc. (CPI). Contact CPI at [returns@getcpi.com](mailto:returns@getcpi.com) for a return authorization number to insure proper crediting to your account. Any product returned without the return authorization will be returned freight collect. A minimum restocking fee of 25% may apply. Returns will be inspected for improper packaging and shipping damage and at CPI's discretion; a charge for repairing or refinishing may apply.

***This warranty does not cover travel expenses, the cost of specialized equipment for gaining access to the product, or labor charges for removal and re-installation of the product.***



**Product Line Designators**

AD	Access Door	MSP	Marine Stern Port
ADC	Access Door Component	MSS	Marine Stern Starboard
ADM	Access Door Misc	OA	Oxygen Accessories
AH	Assembly Hardware	OC	Oxygen Cylinder Parts
BC	Bumper Corner	PR	Proprietary Parts
CR	Foundry Core	PRC	Proprietary Component
CPM	CPI Misc	RG	Rubber Gasket
CT	Cutting Templates	RR	Rub Rail End
DH	Door Hardware	SA	Siren Assembly
EB	Enclosed Box	SAD	Siren Assembly Driver
EC	Extrusion Component	SAP	Siren Assembly Passenger
EL	Electronics	SB	Siren Bracket
EX	Extrusion	SC	Siren Cone
EXA	Ex Hsg w- CPI end caps	SD	Siren Driver
EXB	Ex Hsg w- Swivel Brkts	SH	Siren Horn
EXC	Ex Hsg w- Swivel Brkts, Rt side hole	SP	Step
EXD	Ex Hsg w- Swivel Brkts, Lft side hole	SS	Shelf Brackets & Supports
EXE	Ex Hsg w- Angled End Caps-3x4 Lt	ST	Siren Trim
FA	Fire Apparatus	STC	Stretcher Cups
FC	Fire Apparatus Component	STH	Stretcher Hangers
FD	Fenderette	SW	Siren Wedge
FG	Fuel Guards	TA	Traffic Accessories
FGC	Fuel Guard Component	TC	Traffic Components
FR	Flange Ring	TFC	Truck Front Curbside
FS	Flange Spacer	TFS	Truck Front Steetside
HD	Handles	TFU	Truck Front Universal
IV	IV Hanger	TGC	Truck General Casting
LB	Light Bar Bracket	TGR	Truck General Rear
LBC	Light Bar Bracket Component	TMC	Truck Misc. Casting
LC	Light Housing Component	TRC	Truck Rear Curbside
LH	Light Housing Assembly	TRG	Truck Roller Gusset
LP	License Plate Holder	TRR	Truck Rub Rail
MBW	Marine Bow	TRS	Truck Rear Streetside
MC	Modular Corner	TRU	Truck Rear Universal
MCC	Marine Corner Casting	VC	Vent Cover
MGC	Marine General Casting	WC	Wheel Cover
MHB	Marine House Boat	WH	Wheeler Medical
MMC	Marine Misc	WL	Warning Light

**Light Legends**

Light Housing, Weldon 1000 series	LH10
Light Housing, Truck-lite Marker	LH14
Light Housing, Weldon 2000 series	LH20
Light Housing, Weldon 2030 series	LH23
Light Housing, Federal Signal MODLED1 Light	LH24
Light Housing, 2" X 5"	LH25
Light Housing, 2" X 5" Federal Signal VIPER	LH251
Light Housing, Weldon 3020 series	LH32
Light Housing, 3" X 4"	LH34
Light Housing, 3" X 5" Linear Strobe (4E)	LH35
Light Housing, 3" X 7" (7E)	LH37
Light Housing, 3" X 7" (Whelen M Series)	LH37M
Light Housing, Trucklite Dome Light	LH44
Light Housing, 4" X 6"	LH46
Light Housing, 5" X 2" 500 series (500 series)	LH52
Light Housing, 5" X 8"	LH58
Light Housing, 7" X 9" (9E)	LH79
Light Housing, 1500 watt	LH901
Light Housing, 500 watt	LH902
Light Housing, Betts B70A	LH903
Light Housing, Cat's Eye CE600	LH904
Light Housing, Code3 Oscilaser	LH905
Light Housing, Fed Sig TCL, GS2F	LH906
Light Housing, Whelen C-Head	LH907
Light Housing, Guide Arrow	LH908
Light Housing, KD Lamp	LH909
Light Housing, Fireball / Bryte Light	LH910
Light Housing, Grote 4690	LH911
Light Housing, Underbody Lights	LH912
Light Housing, Federal Signal 3600	LH913
Light Housing, Power Arc	LH914
Light Housing, PAR36 Series	LH915

**Powder Coat Colors (-6)**

Black Flat	B
Black Crinkle Coat	BC
Black High Gloss	BHG
Black Magic (Dupont)	BM
Midnight Black Wrinkle	BW
Beige (TM)	BT
Desert Tan (PPG)	DT
UPS Brown	BR
Gray	GR
Anodized Aluminum	AA
Anodized Gray	G3
Silver	S
Bengal Silver	SB
Tornado Gray	TG
White	W
Pure White	PW
Scrobe White	SW
Weathered White	WW
Safety Yellow	SY
Traffic Yellow	Y
Red	R

**Finish Call-outs and Options:**

Polished	1
Ground	2
Brushed and ground	21
As cast	3
Wheel-a-brated	4
Ball-burnished	5
Ball-burnished and Hard buffed	51
Powder-coated	6
Vibratory Finish	7
Bead-Blasted	8

**Hole Options**

Lock Hole	L
No Lock Hole	N
1.00" Hole	100
2.00" Hole	200
2.25" Hole	225
2.38" Hole	238
2.50" Hole	250
2.63" Hole	263
3.00" Hole	300

**Type of Housing Application**

Miscellaneous	0
Total Surface Mount	1
Surface Mount	2
Recessed Mount	3
Tilt Down or Forward	4
Bumper Mount	5
Grille Mount	6
Intersection Housing	7
Flush Mount	8
No holes Option	9

**Option Format**

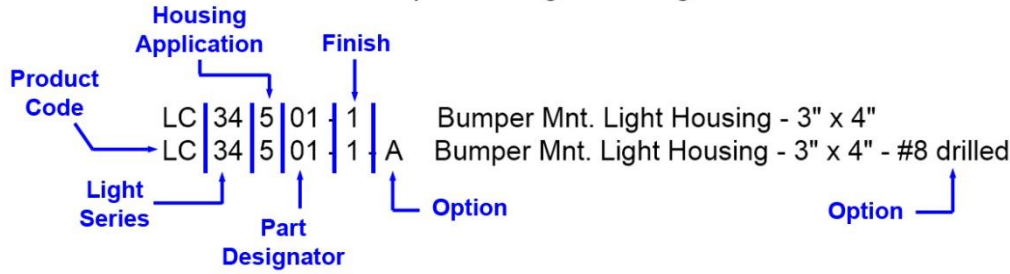
(Option #1)	A
(Option #2)	B
(Option #3)	C
etc.....	D

# Part Number Examples

## Light Housings

### Part Number as ordered:

LC34501-1 Bumper Mt. Light Housing - 3" x 4"  
 LC34501-1-A Bumper Mt. Light Housing - 3" x 4" - #8 drilled



Type of Housing Application	
Miscellaneous	0
Total Surface Mount	1
Surface Mount	2
Recessed Mount	3
Tilt Down or Forward	4
Bumper Mount	5
Grille Mount	6
Intersection Housing	7
Flush Mount	8
No holes Option	9

## Fuel Fill Guards

### Part Number as ordered:

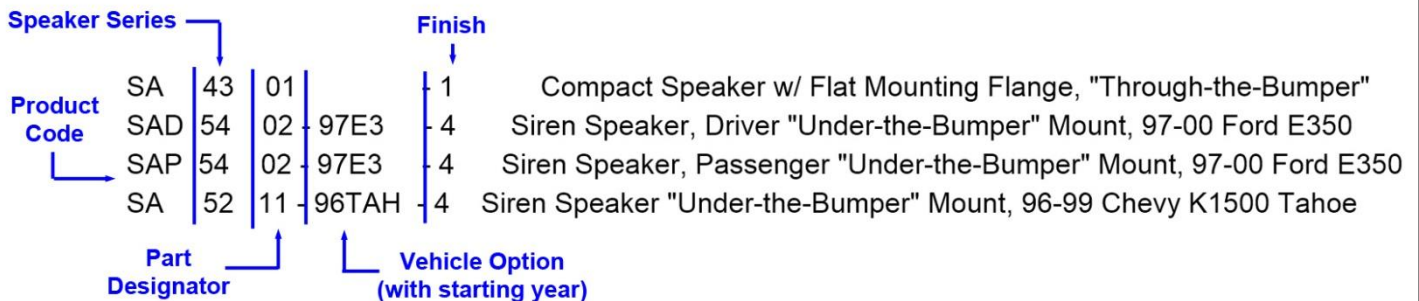
FG4101-1-225-L Fuel Filler Guard, Hinges Left, w/ lid, w/ Lock Hole, 41d. 2 1/4" Hole  
 FG4101-1-225-N Fuel Filler Guard, Hinges Left, w/ lid, w/ No Lock Hole, 41d. 2 1/4" Hole  
 FG4101-1-238-L Fuel Filler Guard, Hinges Left, w/ lid, w/ Lock Hole, 41d. 2 3/8" Hole  
 FG4101-1-238-N Fuel Filler Guard, Hinges Left, w/ lid, w/ No Lock Hole, 41d. 2 3/8" Hole  
 FG4201-1-225 Fuel Filler Guard, 42d. 2 1/4" hole  
 FG4201-2-238 Fuel Filler Guard, 42d. 2 3/8" hole



## Siren Speakers

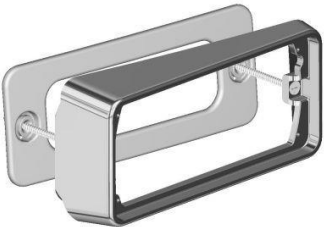

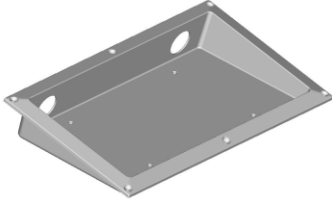
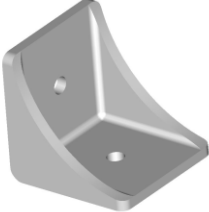
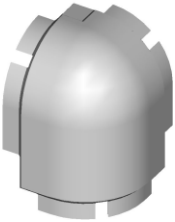
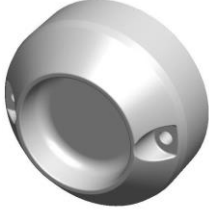
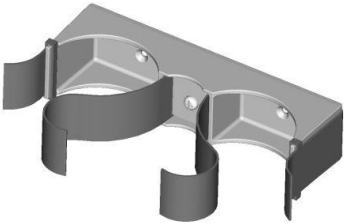
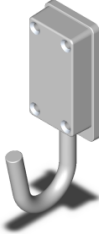
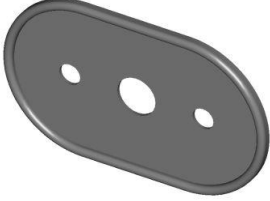

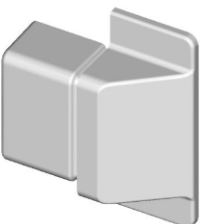
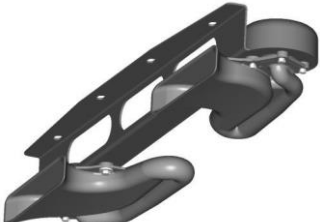
### Part Number as ordered:

SA4301-1 Compact Speaker w/ Flat Mounting Flange, "Through-the-Bumper"  
 SAD5402-97E3-4 Siren Speaker, Driver "Under-the-Bumper" Mount, 97-00 Ford E350  
 SAP5402-97E3-4 Siren Speaker, Passenger "Under-the-Bumper" Mount, 97-00 Ford E350  
 SA5211-96TAH-4 Siren Speaker "Under-the-Bumper" Mount, 96-99 Chevy K1500 Tahoe



## Contents

	<a href="#"><u>Access Doors</u></a>		<a href="#"><u>Fuel Filler Guards</u></a>
	<a href="#"><u>Access Door Miscellaneous</u></a>		<a href="#"><u>Flange Rings</u></a>
	<a href="#"><u>Bumper Corners</u></a>		<a href="#"><u>Flange Spacers</u></a>
	<a href="#"><u>Door Hardware</u></a>		<a href="#"><u>Glove Boxes</u></a>
	<a href="#"><u>Enclosures and Boxes</u></a>		<a href="#"><u>Handles</u></a>
	<a href="#"><u>Fire Apparatus</u></a>		<a href="#"><u>IV Hangers</u></a>
	<a href="#"><u>Fenderettes</u></a>		<a href="#"><u>Light Bar Brackets</u></a>

	<a href="#"><u>Light Housings</u></a>		<a href="#"><u>Steps</u></a>
	<a href="#"><u>License Plate Holders</u></a>		<a href="#"><u>Shelf Supports</u></a>
	<a href="#"><u>Modular Corners</u></a>		<a href="#"><u>Stretcher Cups</u></a>
	<a href="#"><u>Oxygen Cylinder and Accessories</u></a>		<a href="#"><u>Stretcher Hangers</u></a>
	<a href="#"><u>Rubber Gaskets</u></a>		<a href="#"><u>Vent Covers</u></a>
	<a href="#"><u>Rub Rail End Caps</u></a>	<a href="#"><u>Light Housing Compatibility List</u> (in excel format)</a>	<a href="#"><u>Warranty Information</u></a>
	<a href="#"><u>Siren Speakers</u></a>	<a href="#"><u>Siren Speaker Compatibility List</u> (in excel format)</a>	<a href="#"><u>Part Index</u></a>



# Table of Contents

## WARRANTY AND RETURNS 3

## CONTENTS 7

## TABLE OF CONTENTS 9

## ACCESS DOORS 16

AD0001	16
AD0002	16
AD0003	16
AD0004	17
AD0005	17
AD0006	17
AD0007	18
AD0008	18
AD0009	18
AD0010	19
AD0011	19
AD0012	19
AD0013	20
AD0014	20
AD0015	20
AD0016	21
AD0017	21
AD0018	21
AD0019	22
AD0020	22
AD0021	22
AD0022	23
AD0023	23
AD0025	23
AD0026	24
AD0027	24
AD0028	24
AD0029	25
AD0030	25
AD0032	26
AD0034	26
AD0035	27
AD0037	27
AD0038	28
AD0039	28
AD0040	29
AD0042, AD0042-C, AD0042-L	29
AD2001	30
AD2002	31

## ACCESS DOOR MISCELLANEOUS 32

ADC0141	32
ADM0001	32
ADM0002	33
ADM0004	33

## BUMPER CORNERS 34

BC0001	34
BC0002	34
BC0003	34
BC0006	35
BC0010	35
BC0011	35
BC0012	36
BC0013	36

## BACKUP CAMERA HOUSINGS 36

BCH0001	37
BCH0002	37

## DOOR HARDWARE 38

DH0001	38
DH0002	38
DH0006	38
DH0007	39
DH0008	39
DH0011	39
DH0016 and -A	40
DH0017 and -A	40
DH0018 and -A	41
DH0019 and -A	41
DH0020 and -A	42
DH0022 and -A	42
DH0024	43
DH0025	43
DH0028	43
DH0029	44
DH0030	44
DH0031	44
DH0032	45
DH0033	45
DH0036	45
DH0041 and -A	46
DH0042	46
DH0043	47
DH0046	47

DH0050	48
DH0051	48
DH0052	49
DH0052-B	49
DH0053	50
DH0054	50
DH0058	51

## ENCLOSED BOXES 51

EB0001	51
EB0002	52
EB0003	52
EB0004	52
EB0005	53
EB0006	53
EB0007	53
EB0008	54
EB0009	54
EB0010	55
EB0011	55
EB0012	56
EB0013	56
EB0014	57
EB0015	58
EB0016	59
EB0017	60

## FIRE APPARATUS 60

FA0002	60
FA0004	61
FA0006	61
FA0012	62
FA0013	62
FA0018	62
FA0019	63
FA0020	63
FA0021	63
FA0026	64
FA0027	64
FA0028	64
FA0029	65
FA0031	65
FA0032	65
FA0035	66
FA0036	66
FA0040	67
FA0041	67
FA0042	68
FA0030	68
FA0037	69

FA0043	69	<b>FUEL FILLER GUARDS</b>	<b>90</b>	FG5704	117
FA0039	70	FG0001	90	FG6501	117
FA0044	70	FG0002-A	91	FGL0022 FGL0042 FGL0053	118
FA0045	71	FG0002-B	91	FGT0022 FGT0042 FGT0053	119
FA2002	71	FG0003	92		
FA2003	72	FG0006-2_Cyl_Lock	93	<b>FLANGE RINGS</b>	<b>119</b>
FA2004	72	FG0006-2_Friction	94	FR0001	120
FA2005	72	FG0501	95	FR0006	120
FA2006	73	FG0901	95	FR0009	120
FA2011-5 FA2011-5-A	73	FG1501	96	FR0010	121
FA4003	74	FG1801	96	FR0011	121
FA4004	74	FG2001	97	FR0012	121
FA4005	74	FG2101	97	FR0013	122
FA4007	75	FG2102	98	FR0014	122
FA4008	75	FG2103	98	FR0015	122
FA4010	75	FG2104	99	FR0021	123
FA4011	76	FG2201	99	FR0022	123
FA4012	76	FG2204	100	FR0025	123
FA4013	76	FG2205	100	FR0026	124
FA4014	77	FG2206	101	FR0027	124
FA4014-A	77	FG2207	102	FR0028	124
FA4015	78	FG2208	102	FR0029	125
FA4015-A	78	FG3001	103	FR0030	125
FA4016	79	FG3101	103	FR0041	125
FA4016-A	79	FG4101	103	FR0042	126
FA4018	80	FG4102	104	FR0043	126
FA5001	80	FG4103	104	FR0044	126
FA5002	81	FG4104	104	FR0045	127
FA5003	81	FG4201	105	FR0046	127
FC4002	82	FG4202	105	FR0047	127
FC4003	82	FG4204	106	FR0048	128
FC4004	82	FG4205	107	FR0049	128
FC4005	83	FG4501	108	FR0051	129
		FG4502	108	FR0052	129
<b>FENDERETTES</b>	<b>83</b>	FG4503	109	FR0054	130
FD1002	83	FG4504	109	FR1004	130
FD1004	83	FG5301	110	FR101294021	131
FD1005	84	FG5302	110	FR101294022	131
FD1006	84	FG5303	110		
FD1007	84	FG5304	111	<b>FLANGES AND SPACERS</b>	<b>131</b>
FD1008	85	FG5305	111	FS0002	132
FD1009	86	FG5306	112	FS0003	132
FD1010	86	FG5307	112		
FD1011	87	FG5308	112	<b>GLOVE BOXES</b>	<b>133</b>
FD1012	87	FG5309	113	PL1015	133
FD1013	88	FG5310	113	PL1016	134
FD1014	88	FG5501	113	PL1017	135
FD1015	89	FG5502	114		
FD1016	89	FG5503	114	<b>HANDLES</b>	<b>136</b>
FD1017	90	FG5504	115	HD0002	136
		FG5701	115	HD0005	136
		FG5703	116		

HD0007	136	LB0031	155	LH37101	175
HD0008	137	LB0032	155	LH37102	176
HD0009	137	LB0033	156	LH37104	176
HD0010	137	LB0034	156	LH37105	176
HD0011	138	LB0041-A	157	LH37106	177
HD0012	138	LB0041-B	158	LH37107	177
HD0013	138	LB0045	159	LH37108	177
HD0015	139	LB0048	159	LH37109	178
HD0016	139	LB0049-A	160	LH37110	178
HD0019	139	LB0049-B	160	LH37111	178
HD0020	140	LB0051 LB0052	161	LH37201	179
HD0022	140	LB0053 LB0054	161	LH37202	179
HD0027	140	LB0057 LB0058	162	LH37203	179
HD0028	141	LB0059 LB0060	163	LH37205	180
HD0029	141			LH37206	180
HD0030	141	<b>LIGHT HOUSINGS</b>	<b>164</b>	LH37208	180
HD0031	142	Weldon 1000 Series	164	LH37209	181
HD0035	142	LH0010	164	LH37210	181
HD0041	142	LH10101	164	LH37213	181
HD0045	143	LH10201	165	LH37214	182
HD0046	143	1" x 4" Marker Lights	165	LH37225 LH37226	182
HD0047	144	LH14701	165	LH37227 LH37228	183
HD0050 HD0051	144	LH14702	165	LH37229 LH37230	183
HD0052	145	Weldon 2000 series	166	LH37231 LH37232	184
HD0053	145	LH20101	166	LH37233 LH37234	185
HD4001-1	146	LH20103	166	LH37235 LH37236	186
HD4002-1	146	LH20104	167	LH37237 LH37238	187
		LH20105	167	LH37239 LH37240	188
<b>IV HANGERS</b>	<b>146</b>	LH20201	167	LH37241 LH37242	189
IV2001	147	LH20205	168	LH37243 LH37244	190
IV2002	147	LH20206	168	LH37245 LH37246	191
IV2007	148	Weldon 2030 Series	168	LH37247 LH37248	192
IV2008	149	LH23201	169	LH37251	193
		LH23202	169	LH37252	193
<b>LIGHT BAR BRACKETS</b>	<b>149</b>	LH23501	169	LH37253 LH37254	194
LB0004	150	Weldon 3020 Series	170	LH37301	194
LB0005	150	LH32101	170	LH37501	194
LB0006	150	LH32102	170	LH37502	195
LB0011	151	LH32201	171	LH37607	195
LB0013	151	LH32301	171	LH37611	195
LB0019	151	3 x 4 Light Housings	171	LH37612	196
LB0020	152	LH34203	172	LH37620	196
LB0021	152	LH34M4701 LH34M4702	172	LH37621	196
LB0022	152	LH35101	173	LH37630	197
LB0023	153	LH35202	173	LH37631	197
LB0024	153	LH35603	173	LH37632	197
LB0025-A	153	LH35604	174	LH37633	198
LB0025-B	154	LH35703	174	LH37638	198
LB0026	154	LH35704	174	LH37639	198
LB0028	154	LH35709 LH35710	175	LH37640	199
LB0029	155	3" x 7" Light Housings	175	LH37641	199
		LH37008	175	LH37642	199

LH37643	200	LH37792 LH37793	222	LH52001	240
LH37646	200	LH37794 LH37795	222	LH52501	240
LH37647	200	LH37796 LH37797	223	LH52503	241
LH37650 LH37651	201	LH37798 LH37799	223	LH52605 LH52606	241
LH37656 LH37657	201	LH37M101	224	LH52609 LH52610	242
LH37658 LH37659	201	LH37M601 LH37M602	224	LH52611 LH52612	242
LH37662 LH37663	202	LH37M705 LH37M706	225	LH52615 LH52616	243
LH37664 LH37665	202	4" x 6" Light Housings	225	LH52617 LH52618	243
LH37666 LH37667	203	LH46001	225	LH52619 LH52620	244
LH37668 LH37669	203	LH46103	226	LH52621 LH52622	244
LH37670 LH37671	204	LH46104	226	LH52623 LH52624	245
LH37672 LH37673	204	LH46105	226	LH52625 LH52626	245
LH37674 LH37675	205	LH46106	227	LH52627 LH52628	246
LH37676 LH37677	205	LH46107	227	LH52703	246
LH37678 LH37679	206	LH46109	227	LH52704	247
LH37701	206	LH46110	228	LH52707 LH52708	247
LH37702	207	LH46111	228	LH52709 LH52710	248
LH37703	207	LH46112	228	LH52711 LH52712	248
LH37712	207	LH46113	229	LH52713 LH52714	249
LH37713	208	LH46114	229	LH52715 LH52716	249
LH37722	208	LH46115	229	LH52717 LH52718	250
LH37723	208	LH46116	230	LH52719 LH52720	250
LH37734	209	LH46117	230	5" x 8" Light Housings	251
LH37735	209	LH46118	230	LH58201	251
LH37736	209	LH46119	231	7" x 9" Light Housings	251
LH37737	210	LH46120	231	LH79101	251
LH37738	210	LH46121	231	LH79102	251
LH37739	210	LH46122	232	LH79103	252
LH37744	211	LH46123	232	LH79104	252
LH37745	211	LH46124	232	LH79105	252
LH37746 LH37747	211	LH46125	233	LH79106	253
LH37748 LH37749	212	LH46126	233	LH79107	253
LH37750 LH37751	212	LH46127	233	LH79108	253
LH37752 LH37753	212	LH46128	234	LH79110	254
LH37754 LH37755	213	LH46129	234	LH79201	254
LH37756 LH37757	213	LH46130	234	LH79202	254
LH37758 LH37759	213	LH46131	235	LH79205	255
LH37762 LH37763	214	LH46132	235	LH79207	255
LH37764 LH37765	214	LH46201	235	LH79209	255
LH37766 LH37767	215	LH46202	236	LH79210	256
LH37768 LH37769	215	LH46301	236	LH79211	256
LH37770 LH37771	216	LH46501	236	LH79215 LH79216	256
LH37772 LH37773	216	LH46502	237	LH79217 LH79218	257
LH37774 LH37775	217	LH46601	237	LH79219 LH79220	257
LH37776 LH37777	217	LH46602	237	LH79221 LH79222	258
LH37778 LH37779	218	LH46603	238	LH79223 LH79224	259
LH37780 LH37781	218	LH46604	238	LH79225 LH79226	259
LH37782 LH37783	219	LH46707	238	LH79227 LH79228	260
LH37784 LH37785	219	LH46708	239	LH79229 LH79230	260
LH37786 LH37787	220	LH46709	239	LH79301	261
LH37788 LH37789	221	LH46710	239	LH79302	261
LH37790 LH37791	221	2" x 5" Light Housings	240	LH79304	261

LH79311	262
Misc. Lights	262
LH90201	262
LH90301	262
LH90405	263
LH90504	263
LH90603	263
LH90902	264
LH91102	264
LH91201	264
LH91203	265
LH91401	265

**LICENSE PLATE HOLDERS**

**265**

LP0002	265
LP0002-C	266
LP0004	266
LP0004-B	267
LP0005	267
LP0005-C	268
LP0007	268
LP0009	269
LP0013	269
LP0014	270

**MODULAR CORNERS**

**270**

MC0001	270
MC0003	271
MC0005	271
MC0010	271
MC0011	272
MC0017	272
MC0021	272
MC0023	273
MC0026	273
MC0027	273
MC0028	274
MC0033	274
MC0037	274
MC0052	275
MC0061	275
MC0063	275
MC0071	276
MC0075	276
MC0076	276
MC0077	277
MC0079	277
MC0080	277
MC0083	278
MC0089	278

MC0090	278
MC0091	279
MC0094	279
MC0096	280
MC0097	280
MC0098	281
MC0099	281
MC0101	282
MC0102	282
MC0103	283
MC0104	283
MC51145	284

**OXYGEN CYLINDER ACCESSORIES**

**284**

OA0002	284
OA0003	284
OA0004	285
OA0005	285
OA0006	285
OA0007	286
OA0008	286
OA0009	286
OA1101 OA1102 OA1103 OA1107	287
OA1104 OA1105	288
OA1201 OA1202	289
OA1205	290

**RUBBER GASKETS**

**291**

RG0005	291
RG0007	291
RG0013	291
RG0014	292
RG0015	292
RG0016	292
RG0017	293
RG0020	293
RG0021	293
RG0025	294
RG0026	294
RG0030	294
RG0033	295
RG0034	295
RG0035	295
RG0036	296
RG0037	296
RG0040	296
RG0043	297
RG0048	297
RG0050	297
RG0057	298

RG0063	298
RG0064	298
RG0076	299
RG0077	299
RG0078	299
RG0079	300
RG0080	300
RG0081	300

**RUB RAIL END CAPS**

**301**

RR0001	301
RR0007	301
RR0010	301
RR0012	302
RR0013	302
RR0014	302
RR0024	303
RR0027	303
RR0034	303
RR0035 RR0036	304
RR0037 RR0038	304
RR0040 RR0041	305
RR0042	305
RR0043	306
RR0044	306
TRR0002	307

**SIREN SPEAKERS**

**307**

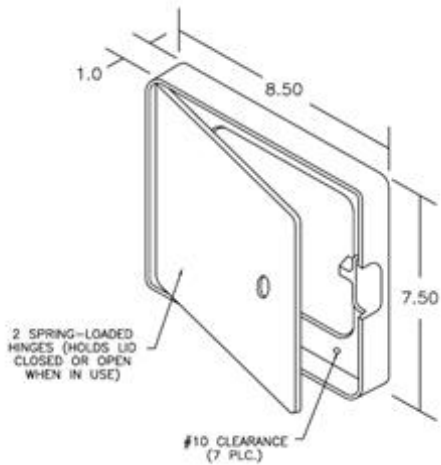
SA1000 Series	307
SA1502	307
SA2000 Series	308
SA2201	308
SA2301	308
SA2208	308
SA2401	309
SA2403	309
SA2405	309
SA3203	310
SA3000 Series	310
SA3501	310
SA3502	310
SA3503	311
SA3504	311
SA3801	312
SAD3201 SAP3201	312
SAD3801 SAP3801	313
SAD3802 SAP3802	313
SAD3803 SAP3803	314
SA3804	314
SAD3805 SAP3805	315
SAD3806 SAP3806	315

SAD3807 SAP3807	316	SA6114	336	SP2024	361
SAD3808 SAP3808	316	SA6117	337	SP2025	361
SAD3809 SAP3809	317	SA6118	338	SP2026	361
SAD3810 SAP3810	317	SA6300	339	SP2027	362
SAD3811 SAP3811	318	SAD6007 SAP6007	339	SP2028	362
SAD3813 SAP3813	318	SAD6301 SAP6301	340	SP2029	362
SAD3815 SAP3816	319	SAD6302 SAP6302	340	SP2030	363
SAD3819 SAP3820	319	SAD6303 SAP6303	341	SP2032	363
SAD3821 SAP3822	320	SA7000 Series	341	SP2033	363
SAD3823 SAP3824	320	SA7001	341	SP2034	364
SAD3826 SAP3825	321	SA7001-A	342	SP2035	364
SAD3827 SAP3828	321	SA7003	342	SP2036	365
SAD3829 SAP3830	322	SA7004	343	SP2037	365
SA4000 Series	322	SA7006	343	SP2038	366
SA4201	322	SA7007	343	SP2041	366
SA4204	323	SA7010	344	SP2042	367
SA4206	323	SA7011	344	SP2043	367
SA4208	323	SA7101	345	SP2701	368
SA4209	324	SH0001	346	SP2702	368
SA4210	324			SP2901	369
SA4225	325	<b>STEPS</b>	<b>346</b>	SP3001	369
SA4226	325	SP0003	346	SP3002	370
SA4227	326	SP0004	347	SP3003	370
SA4301	326	SP2001	347	SP4301	370
SA4303	327	SP2002	347	SP4401	371
SA4305	327	SP2003	348	SP4410	371
SA4306	327	SP2003-B	348	SP4500	372
SA4310	328	SP2004	349	SP6610	372
SA4311	328	SP2004-D	349		
SA4316	328	SP2004-TB	350	<b>SHELF SUPPORTS</b>	<b>373</b>
SA4317	329	SP2006	350	SS0001	373
SA4401	329	SP2006-B	351	SS0001-A -B -C -D -E	373
SA4402	329	SP2007	351	SS0002	374
SAD4302 SAP4302	330	SP2007-B	352	SS0003	374
SAD4307 SAP4307	330	SP2008	352	SS0004	374
SAD4308 SAP4308	330	SP2009	353	SS0005	375
SAD4309 SAP4309	331	SP2009-B	353	SS0007	375
SAD4312 SAP4312	331	SP2010	354	SS0014	375
SAD4314 SAP4314	331	SP2010-B	354	SS0018	376
SAD4318 SAP4318	332	SP2011	355	SS0019	376
SAD4319 SAP4319	332	SP2011-C	355	SS0022	376
SAD4321	333	SP2012	356	SS0025	377
SA5000 Series	333	SP2012-D	356	SS0028	377
SA5403	333	SP2013	357	SS0031	377
SA5414	334	SP2013-B	357	SS0034	378
SA5501	334	SP2014	358	SS0037	378
SAD5401 SAP5401	334	SP2014-B	358	SS0038	379
SA6000 Series	335	SP2016	359	SS0039	379
SA6004	335	SP2016-B	359	SS0040	380
SA6011	335	SP2017	360	SS0041	380
SA6016	336	SP2018	360	TA4100	381
SA6113	336	SP2023	360		

TMC0024	381	TMC1048	398	STH2024	406
TMC0027	382	TMC1049	398	STH2025	407
TMC0053	382	TMC1050	399	STH2026	407
TMC0054	383			STH2027	408
TMC0056	383	<b>STRETCHER CUPS</b>	<b>399</b>	STH2028	408
TMC0058	384	STC0001	399	STH2029	409
TMC0060	384	STC0002	400		
TMC0062	385	STC0004	400	<b>VENT COVERS</b>	<b>409</b>
TMC0069	386	STC0005	400	VC0001	409
TMC0086	386	STC0006	401	VC0002	410
TMC0090	387	STC0008	401	VC0003	410
TMC1007	388	STC0014	401	VC0004	410
TMC1008	388	STC0017	402	VC0007	411
TMC1009	389	STC0019	402		
TMC1010	389			<b>LED LIGHTS AND</b>	
TMC1012	390	<b>STRETCHER HANGERS</b>	<b>403</b>	<b>ACCESSORIES</b>	<b>411</b>
TMC1025	391	STH2001 thru STH2009	403	WL0501 series LED lights and	
TMC1026	392	STH2010 thru STH2017	403	accessories	412
TMC1027	393	STH2018	404		
TMC1039	393	STH2019	404	<b>WARRANTY AND RETURNS</b>	
TMC1040	394	STH2020	404		<b>413</b>
TMC1043	395	STH2021	405		
TMC1044	396	STH2022	405	<b>INDEX</b>	<b>414</b>
TMC1045	397	STH2023	406		
TMC1046	397				

# Access Doors

## AD0001

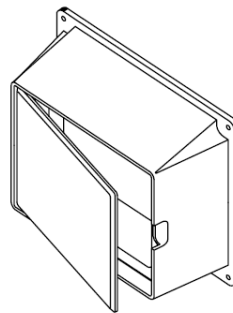
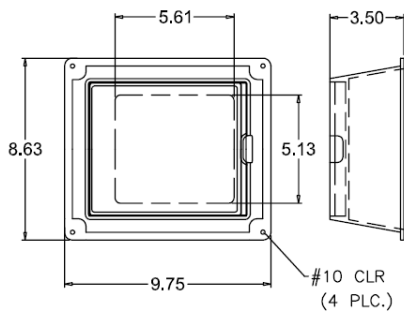


## AD0001

### Access Door with Hinged Flange

- 1) All concealed mounting hardware and hinges.
- 2) Finish: outside flange - polished. lid - 120 grit directional ground.
- 3) Optional 3/4" hole for cylinder lock (customer specify). Lock not provided.

## AD0002

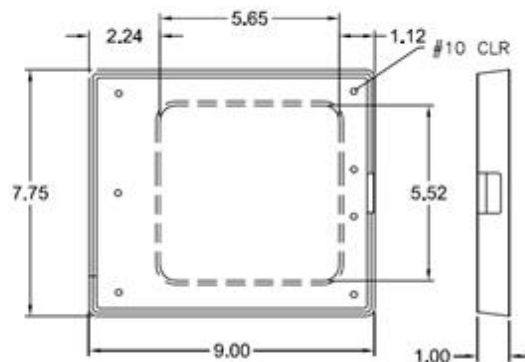


## AD0002

### Deep Access Door with Hinged Flange

- 1) Concealed hinges.
- 2) Finish: outside flange - polished. lid - 120 grit directional ground.
- 3) Optional 3/4" hole for cylinder lock (customer specify). Lock not provided.

## AD0003



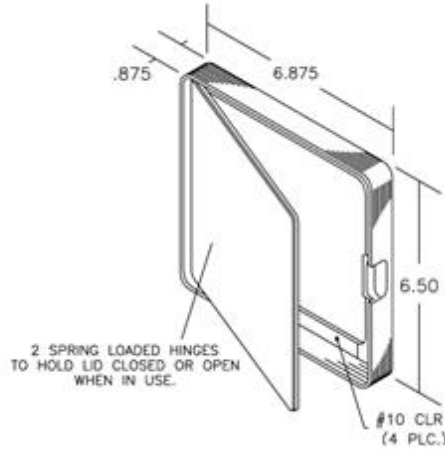
## AD0003

### Access Door with Hinged Flange and Gasket Seal

- 1) All concealed hardware and hinges.
- 2) Finish: outside flange - polished. lid - 120 grit directional ground.
- 3) Product sold with Southco 100 Series lock installed.



## AD0004

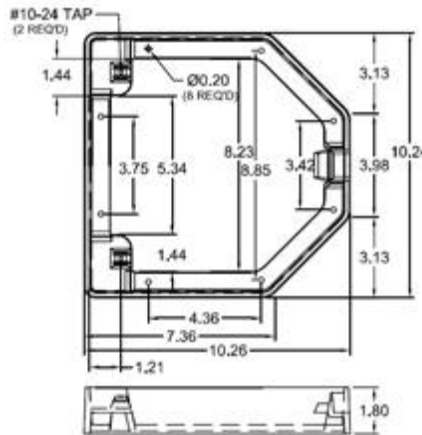


## AD0004

### Access Door with Hinged Flange

- 1) All concealed mounting hardware and hinges.
- 2) Finish: outside flange - polished. lid - 120 grit directional ground.
- 3) Non-locking design.

## AD0005

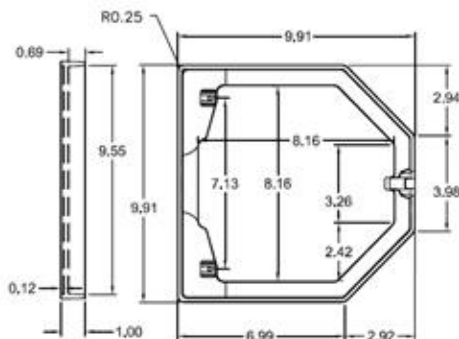


## AD0005

### Access Door with Hinged Flange for O<sub>2</sub> Bottle Compartment

- 1) All concealed mounting hardware and hinges.
- 2) Finish: outside flange - polished. lid - 120 grit directional ground.
- 3) Will accept up to an 8" diameter Oxygen bottle.
- 4) Slam - Lock design.

## AD0006

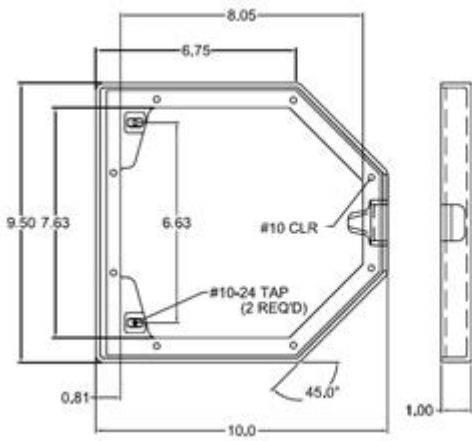


## AD0006

### Access Door with Hinged Flange for O<sub>2</sub> Bottle Compartment

- 1) All concealed mounting hardware and hinges.
- 2) Finish: outside flange - polished. lid - 120 grit directional ground.
- 3) Will accept up to an 8" diameter Oxygen bottle.
- 4) Slam - Lock design.

### AD0007

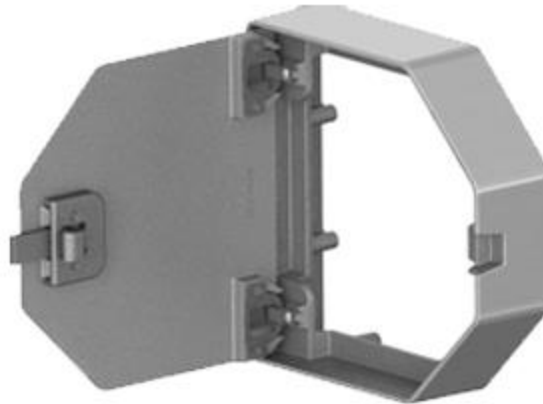
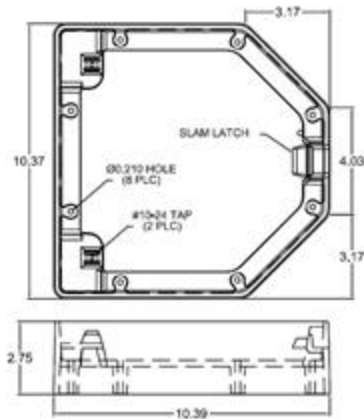


### AD0007

#### Access Door with Hinged Flange for O<sub>2</sub> Bottle Compartment

- 1) All concealed mounting hardware and hinges.
  - 2) Finish: outside flange - polished. lid - 120 grit directional ground
  - 3) Will accept up to an 8" Oxygen bottle.
- m - Lock design.

### AD0008

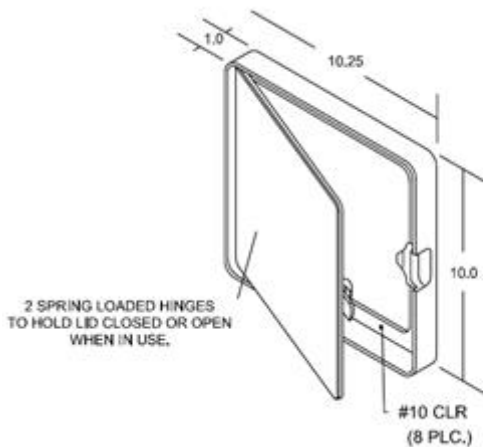


### AD0008

#### Access Door with Hinged Flange for O<sub>2</sub> Bottle Compartment

- 1) All concealed mounting hardware and hinges.
- 2) Finish: outside flange - polished. lid - 120 grit directional ground
- 3) Will accept up to an 8" Oxygen bottle.
- 4) Slam - Lock design.

### AD0009

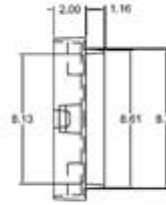
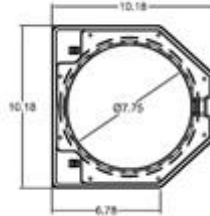


### AD0009

#### Access Door with Hinged Flange

- 1) All concealed mounting hardware and hinges.
- 2) Finish: outside flange - polished. lid - 120 grit directional ground.
- 3) Slam - Lock design.

## AD0010

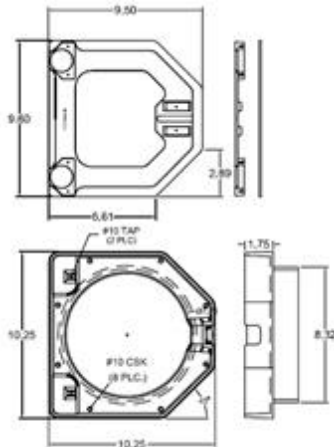


## AD0010

### O<sub>2</sub> Bottle Door with 1 3/4" Thick Flange (8" Tube)

- 1) All concealed mounting hardware and hinges.
- 2) Finish: outside flange - polished, lid - 120 grit directional ground.
- 3) Designed for aiding in the construction of the oxygen bottle compartments by welding the 8" aluminum tube (1/8" thick wall) to the backside of the flange.
- 4) Slam - Lock design.

## AD0011

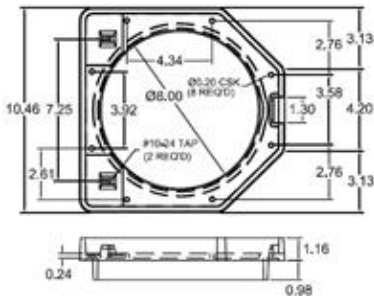


## AD0011

### Polished O<sub>2</sub> Bottle Door with 1 3/4" Thick Flange (8" Tube)

- 1) All concealed mounting hardware and hinges.
- 2) Finish: outside flange & lid - polished.
- 3) Designed for aiding in the construction of the oxygen bottle compartments by welding the 8" aluminum tube (1/8" thick wall) to the backside of the flange.
- 4) Slam - Lock design.

## AD0012

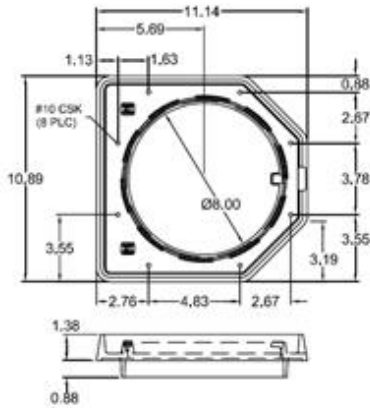


## AD0012

### O<sub>2</sub> Bottle Door with 1 1/8" Thick Flange (8" Tube)

- 1) All concealed mounting hardware and hinges.
- 2) Finish: outside flange & lid - polished.
- 3) Designed for aiding in the construction of the oxygen bottle compartments by welding the 8" aluminum tube (1/8" thick wall) to the backside of the flange.
- 4) Slam - Lock design.

## AD0013

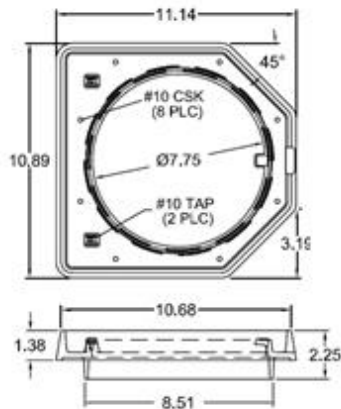


## AD0013

### O2 Bottle Door with 1 3/8" Thick Flange (8" PVC Tube)

- 1) All concealed mounting hardware and hinges.
- 2) Finish: outside flange - polished. lid - 120 grit directional ground.
- 3) Designed for aiding in the construction of the oxygen bottle compartments by attaching the 8" PVC tube to the backside of the flange.
- 4) Product sold with Southco adjustable lever latch installed.

## AD0014

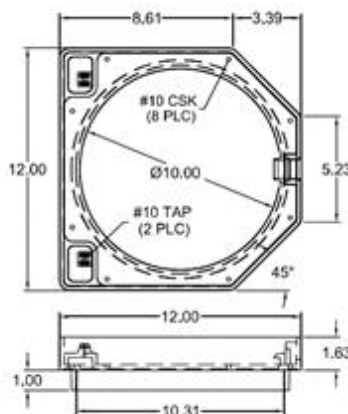


## AD0014

### O2 Bottle Door with 1 3/8" Thick Flange (8" Tube)

- 1) Mounting hardware and hinges concealed
- 2) Finish: outside flange - polished. lid - 120 grit directional ground
- 3) Designed for aiding in the construction of the oxygen bottle compartments by welding 8" aluminum tube (1/8" thick wall) to the backside of the flange.
- 4) Constructed with 1/4" cord gasket to help seal the tube from dust, etc.
- 5) Product sold with Southco adjustable lever latch installed.

## AD0015

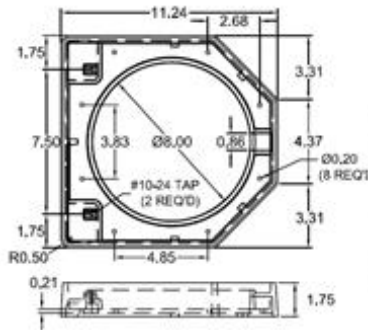


## AD0015

### O2 Bottle Door with 1 5/8" Thick Flange (10" diameter tube)

- 1) All concealed mounting hardware and hinges.
- 2) Finish: outside flange - polished. lid - 120 grit directional ground.
- 3) Designed for aiding in the construction of the oxygen bottle compartments by welding the 10" ID (10 1/4" OD) aluminum tube to the backside of the flange.
- 4) Slam - Lock design.

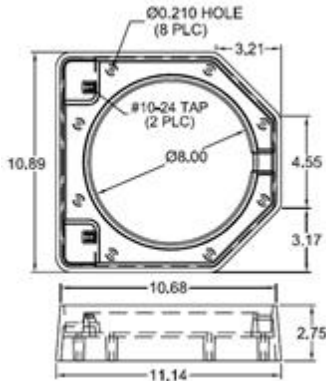
## AD0016



## AD0016 O<sub>2</sub> Bottle with 1 3/4" Thick Flange (8" diameter tube)

- 1) All concealed mounting hardware and hinges.
- 2) Finish: outside flange - polished, lid - 120 grit directional ground.
- 3) Designed for aiding in the construction of the oxygen bottle compartments.
- 4) Product sold with Southco adjustable lever latch installed.

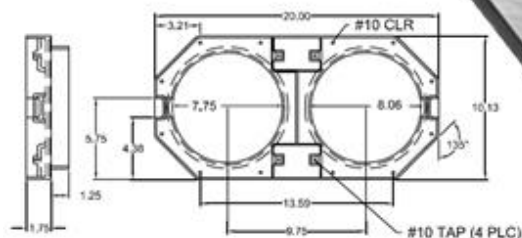
## AD0017



## AD0017 O<sub>2</sub> Bottle with 2 3/4" Thick Flange (for 8" tube)

- 1) All concealed mounting hardware and hinges.
- 2) Finish: outside flange & lid - polished.
- 3) Constructed with 1/4" cord gasket to help seal tube from dust, etc...
- 4) Product sold with Southco adjustable lever latch installed.

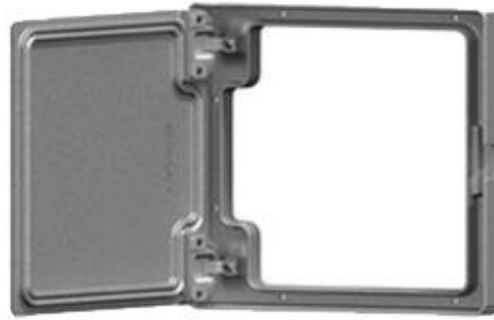
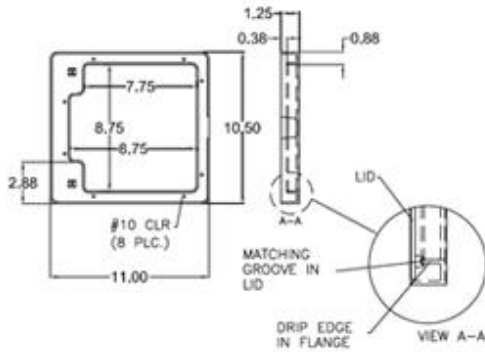
## AD0018



## AD0018 Double O<sub>2</sub> Bottle with 1 3/4" Thick Flange (8" tube)

- 1) All concealed mounting hardware and hinges.
- 2) Finish: outside flange - polished, lid - 120 grit directional ground.
- 3) Designed for aiding in the construction of the oxygen bottle compartments by welding the 8" aluminum tube (1/8" thick wall) to the backside of the flange.
- 4) Slam - Lock design.

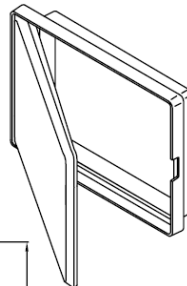
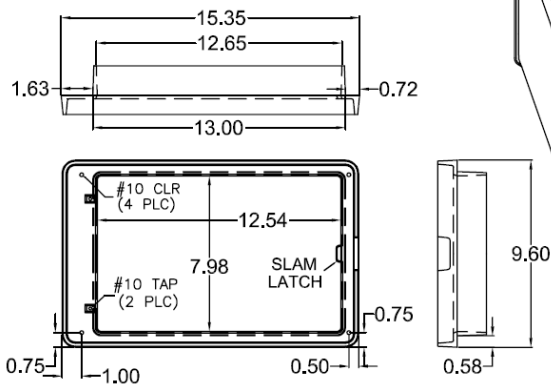
## AD0019



## AD0019 Fill Tower Cap Door with Hinged Flange

- 1) All concealed mounting hardware and hinges.
- 2) Finish: outside flange - polished. lid - 120 grit directional ground.
- 3) Designed to mount on a flat, horizontal surface and with a drip rail on the inside to help keep water out.

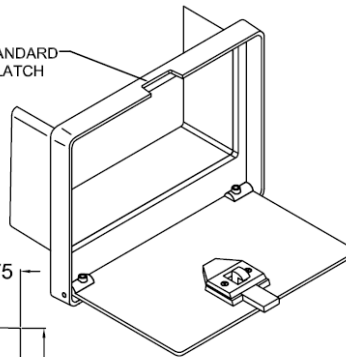
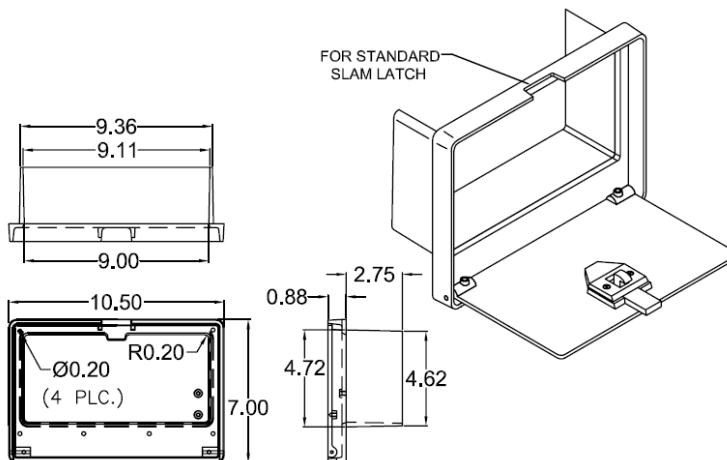
## AD0020



## AD0020 Access Door with Hinged Flange

- 1) All concealed mounting hardware and hinges.
- 2) Finish: outside flange - polished. lid - 120 grit directional ground.
- 3) Slam - Lock design.

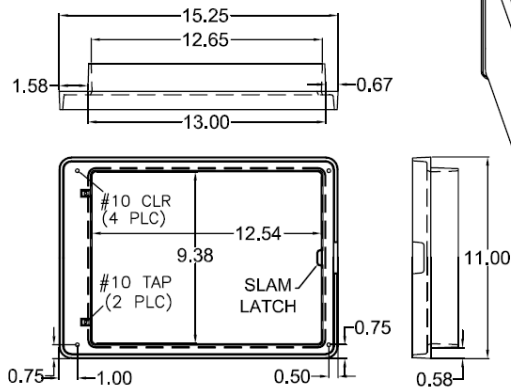
## AD0021



## AD0021 Access Door with Hinged Flange

- 1) All concealed mounting hardware and hinges.
- 2) Finish: outside flange - polished. lid - 120 grit directional ground.
- 3) Slam - Lock design.

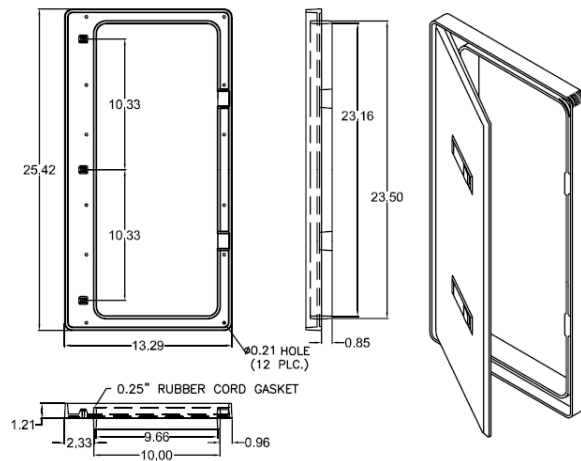
## AD0022



## AD0022 Access Door with Hinged Flange

- 1) All concealed mounting hardware and hinges.
- 2) Finish: outside flange - polished. lid - 120 grit directional ground.
- 3) Slam - Lock design.

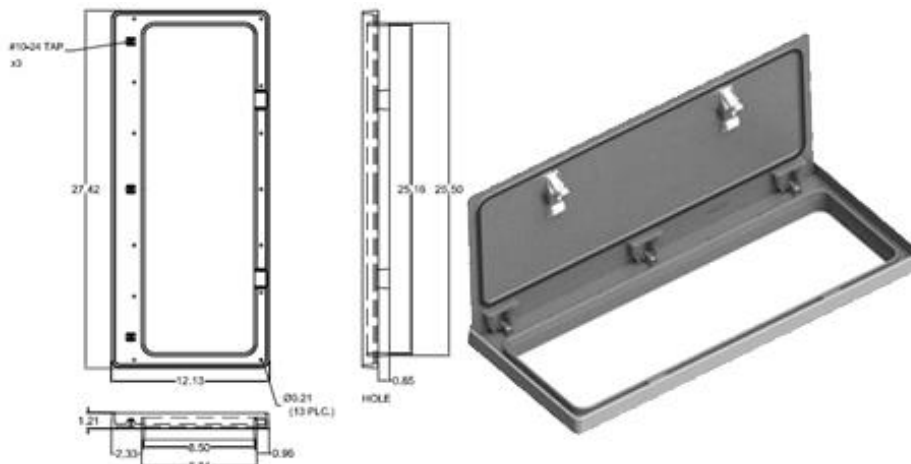
## AD0023



## AD0023 Access Door with seal and Lever Latch

- 1) All concealed mounting hardware and hinges.
- 2) Finish: outside flange - polished. lid - 120 grit directional ground.
- 3) Southco adjustable lever latch.

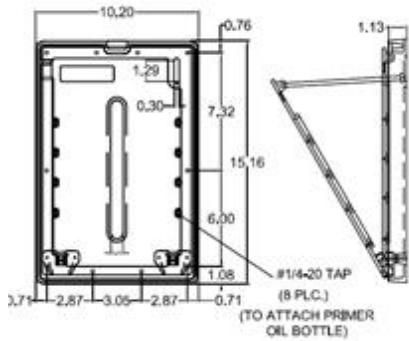
## AD0025



## AD0025 Triple O<sub>2</sub> Bottle Door w/ lid & Lever Latches

- 1) All concealed mounting hardware and hinges.
- 2) Finish: outside flange - polished. lid - 120 grit directional ground.
- 3) Constructed with 1/4" cord gasket to seal from dust, etc.
- 4) Product sold with 2 Southco adjustable lever latches installed.

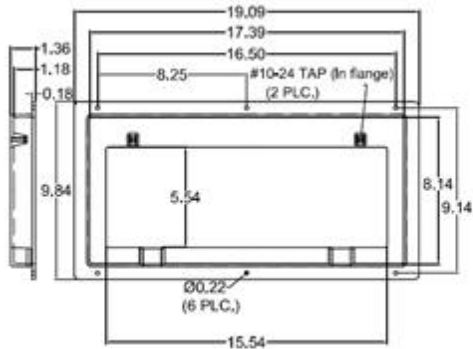
## AD0026



## AD0026 Oil Primer Bottle Door w/ Hinged Flange

- 1) All concealed mounting hardware and hinges.
- 2) Finish: outside flange - polished. lid - 120 grit directional ground.
- 3) Designed with "sight glass" opening for Fill level and will open 30° for easy filling of bottle.
- 4) Designed for use with the Hale Fire Pump Primer Bottle.
- 5) Product sold with Southco adjustable lever latch installed.

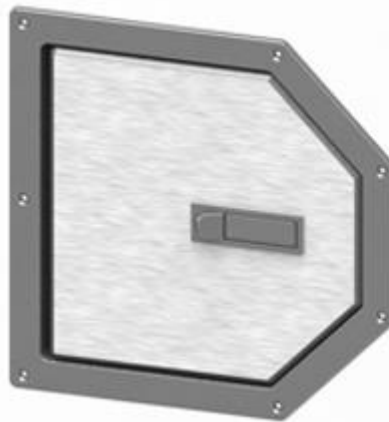
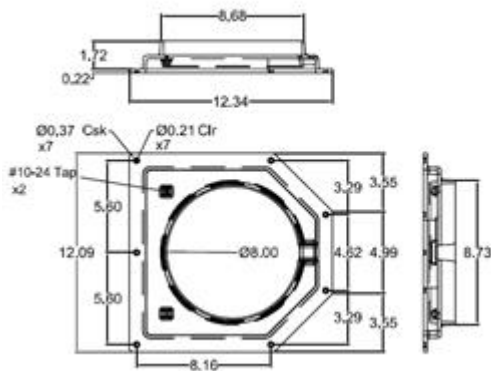
## AD0027



## AD0027 Recessed Access Door with Lever Latch

- 1) All concealed mounting hardware and hinges.
- 2) Finish: outside flange - polished. lid - 120 grit directional ground.
- 3) Product sold with 2 Southco adjustable lever latches installed.
- 4) Gasket seal around interior lip.

## AD0028

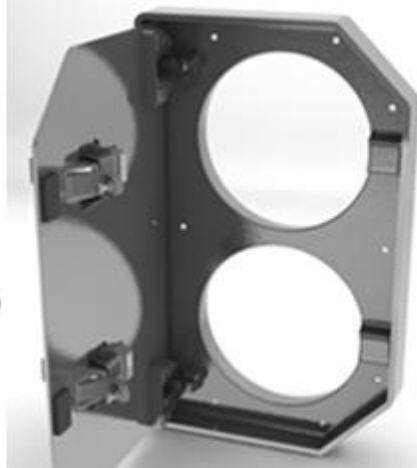
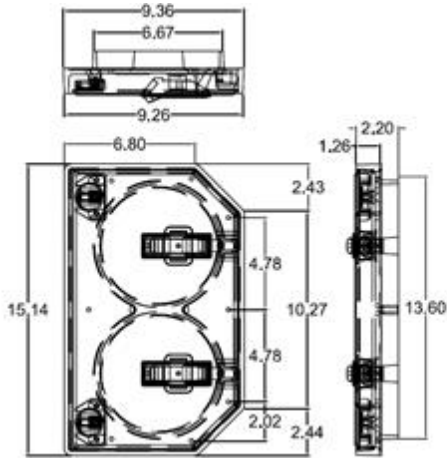


## AD0028 Recessed Access Door with Lever Latch

- 1) All concealed mounting hardware and hinges.
- 2) Finish: outside flange - polished. lid - 120 grit directional ground.
- 3) Constructed with 1/4" cord gasket to help seal from dust, etc.
- 4) Designed with 8" access hole in flange.
- 5) Product sold with Southco adjustable lever latch installed.



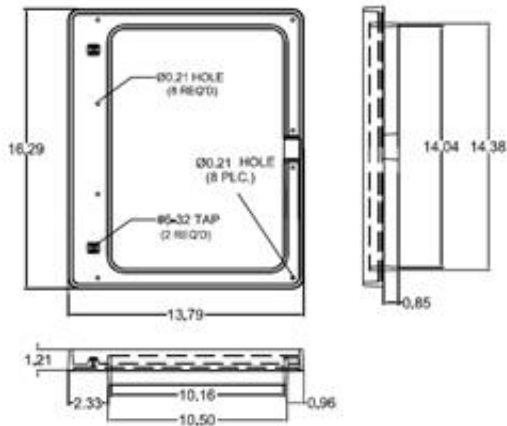
## AD0029



## AD0029 Dual Access Door with Lever Latch

- 1) All concealed mounting hardware and hinges.
- 2) Finish: outside flange - polished. lid - 120 grit directional ground.
- 3) Designed with two 6" access holes in flange.
- 4) Product sold with 2 Southco adjustable lever latches installed.

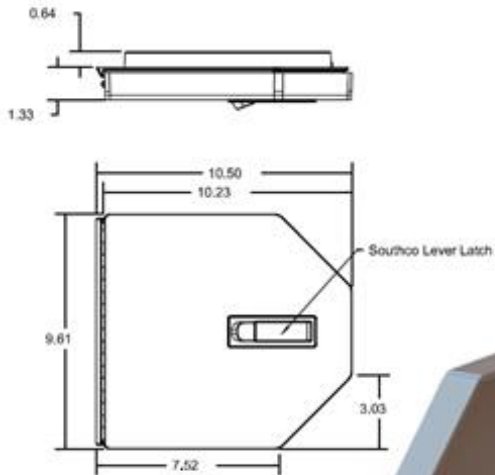
## AD0030



## AD0030 Ladder Control Door with Lever Latch

- 1) All concealed mounting hardware and hinges.
- 2) Finish: outside flange - polished. lid - 120 grit directional ground.
- 3) Constructed with 1/4" cord gasket to help seal from dust, etc.
- 4) Product sold with Southco adjustable lever latch installed.

## AD0032

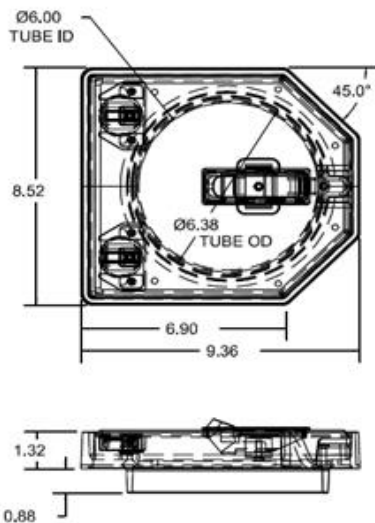


## AD0032

Access Door w/  
Polished Lid, Lever  
Latch, Lid Gasket and  
Tube Flange (Tube =  
7.75" ID x 8.06" OD)

- 1) All concealed mounting hardware and hinges.
- 2) Finish: outside flange is polished. Lid is polished.
- 3) Sold with Southco Lever Latch Installed and .25" Rubatex Gasket for Lid.

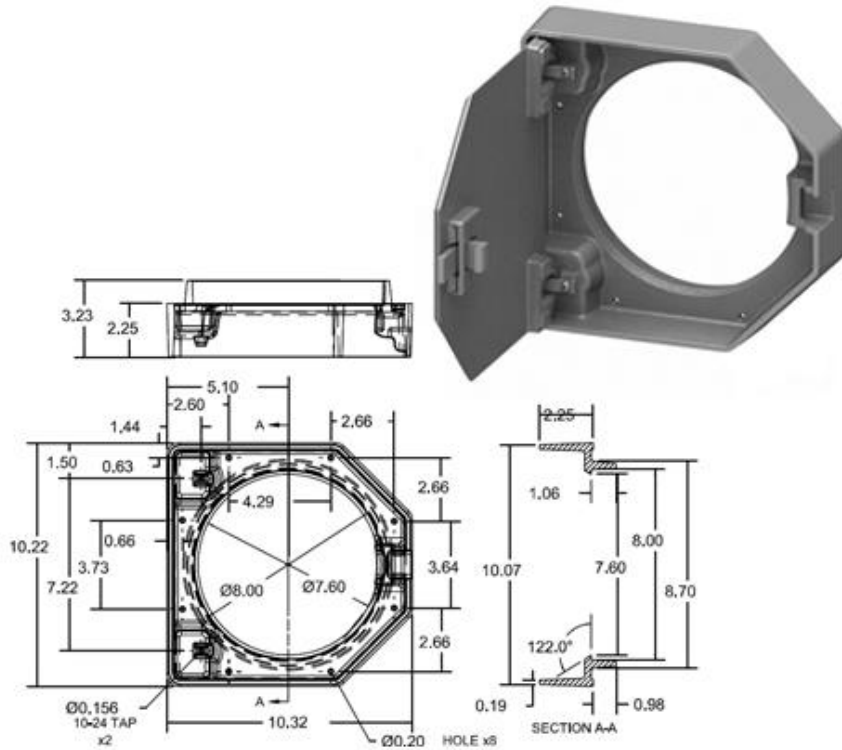
## AD0034



## AD0034 Access Door Flange and Lid (for 6" ID Tube)

- 1) All concealed mounting hardware and hinges.
- 2) Finish: outside flange is polished. Lid is 120 grit directional ground.
- 3) Uses Southco Std. Lever Latch.
- 4) For 6" ID x 6 5/16" OD Tube.

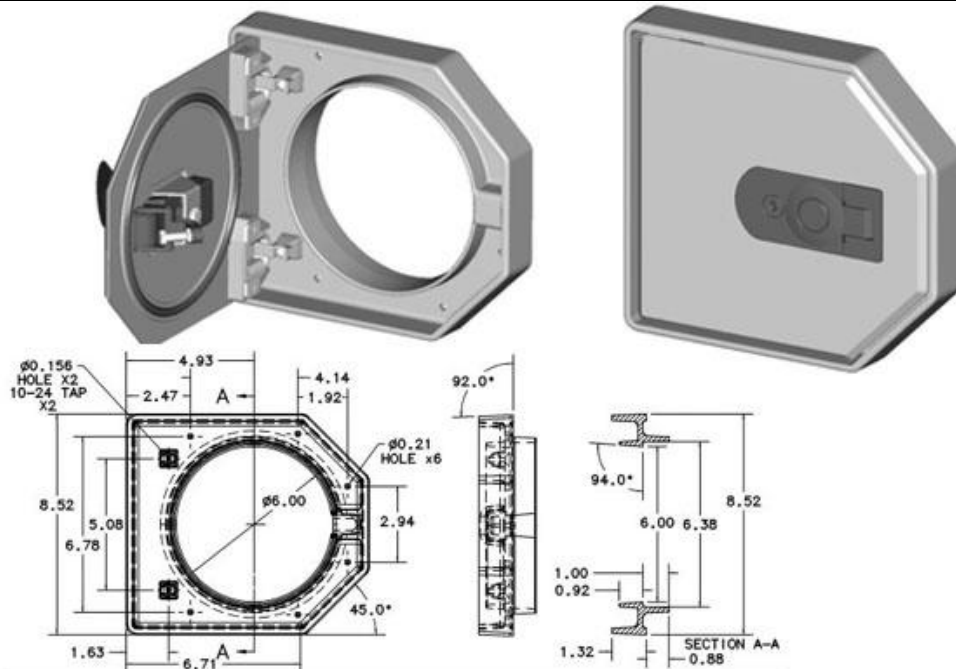
## AD0035



## AD0035 Access Door Flange and Lid (for 7.6" ID x 8.00" OD Tube)

- 1) All concealed mounting hardware and hinges.
- 2) Finish: outside flange is polished. Lid is 120 grit directional ground.
- 3) Uses Southco Std. Lever Latch.
- 4) For 7.60" ID x 8" OD Tube.

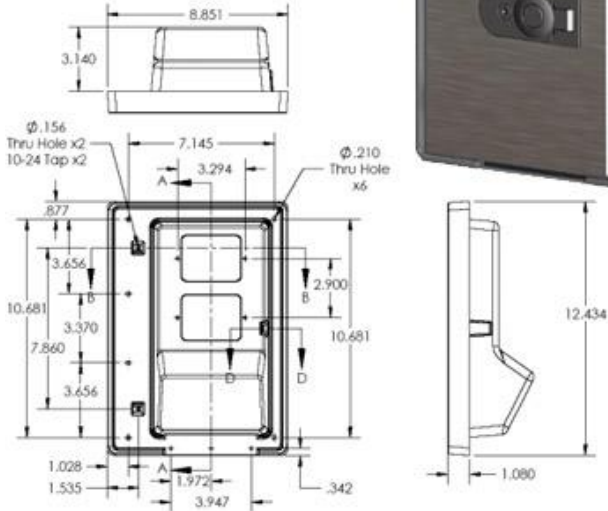
## AD0037



## AD0037 Access Door Flange and Lid (for 6" ID x 6.375" OD Tube)

- 1) Finish: Exterior flange is polished. Lid is 120 grit directional ground.
- 2) All concealed mounting hardware and hinges.
- 3) Uses standard Southco weatherproof Lever latch. Also available with standard Southco lever latch.
- 4) Standard 1/4" cord gasket with lid.
- 5) For 6" ID x 6.375" OD Pipe or Tube.

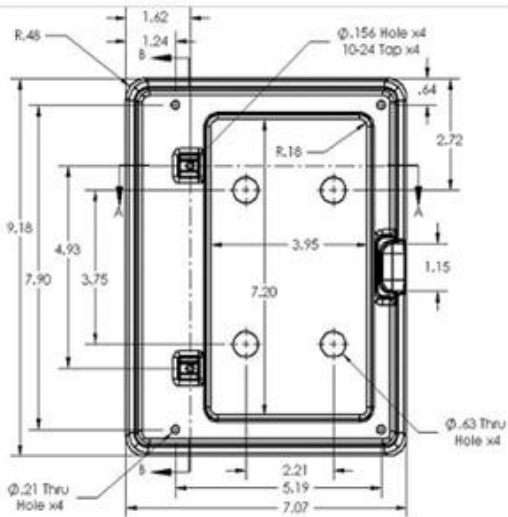
## AD0038



## AD0038 Access Door Flange and Lid

- 1) Finish: Exterior flange is polished. Lid is 120 grit directional ground.
- 2) All concealed mounting hardware and hinges.
- 3) Uses standard Southco weatherproof Lever latch.
- 4) Standard 1/4" cord gasket with lid.

## AD0039



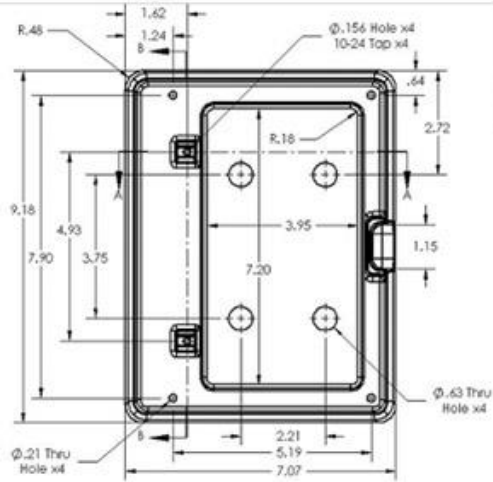
## AD0039 Switch Box Assembly - Mounting Flange and Lid (No gasket or lock)

- 1) Finish: Ball-burnished w/ Exterior flange polished. Lid is 120 grit directional ground.
- 2) All concealed mounting hardware and hinges.
- 3) Uses standard Southco weatherproof Lever latch.



# AD0040

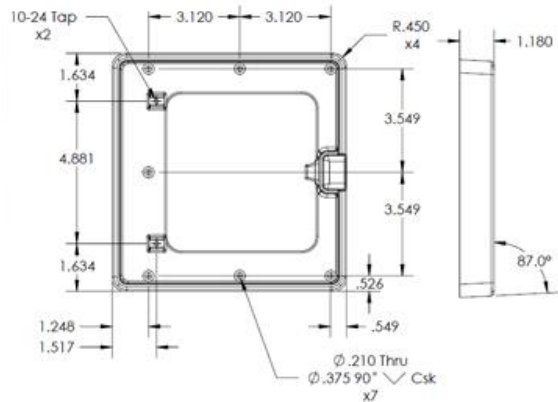
## AD0040 Switch Box Assembly - Mounting Flange / Box and Lid



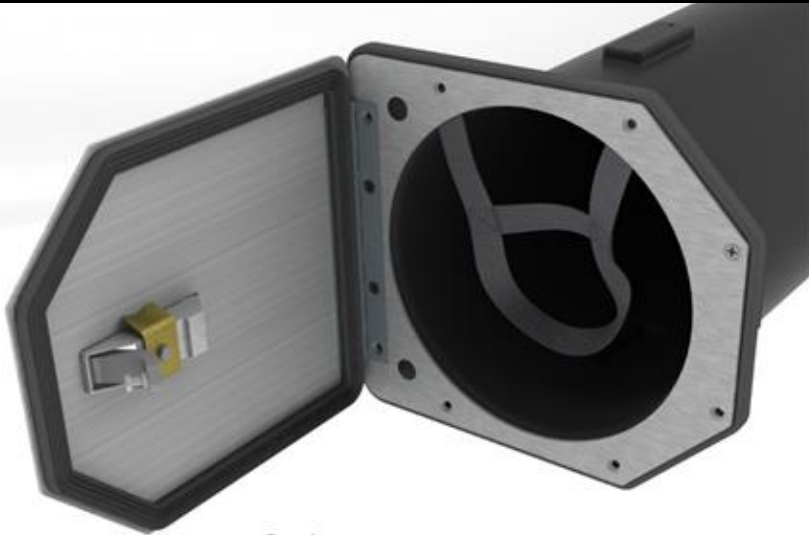
- 1) Finish: Ball-burnished w/ Exterior flange polished. Lid is 120 grit directional ground.
- 2) All concealed mounting hardware and hinges.
- 3) Uses standard Southco weatherproof Lever latch.

# AD0042, AD0042-C, AD0042-L

## AD0042-1, -C & -L Access Door Flange and Lid: plain, keyed cylinder or Lift-n-Turn



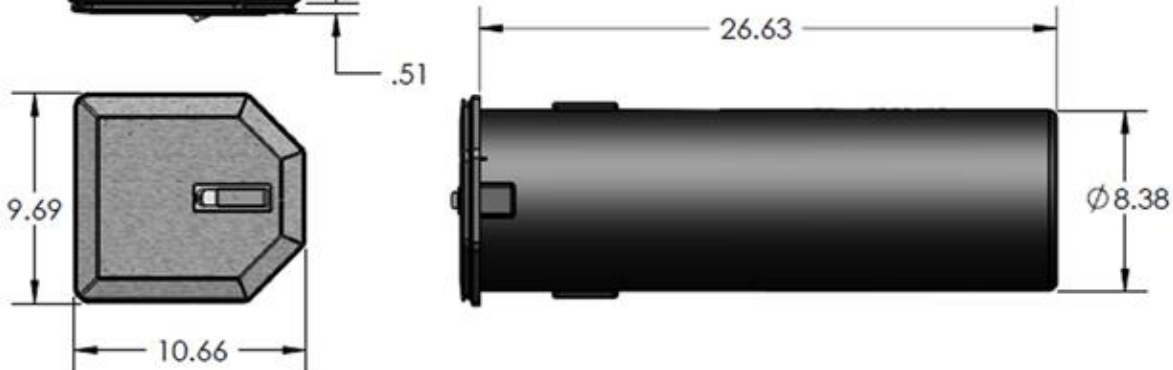
AD2001



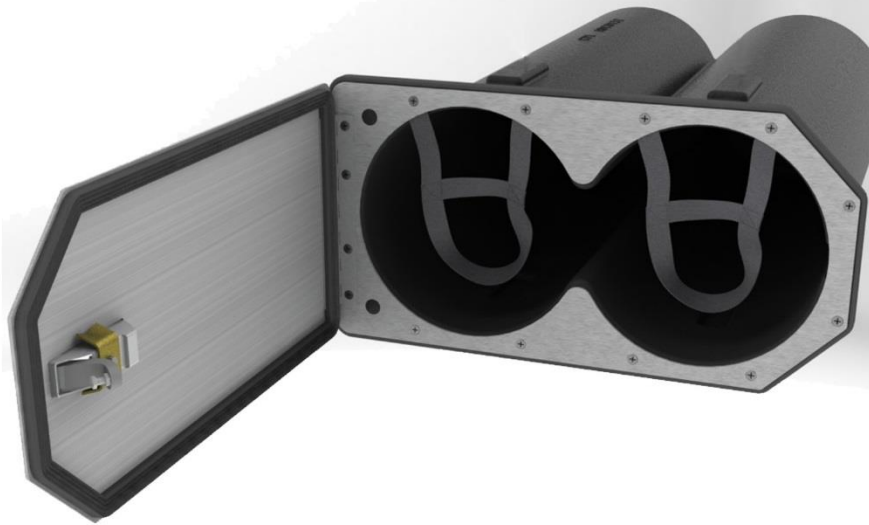
## AD2001 Stainless Access Door Flange, Lid and Rotary molded tube.

- 1) All concealed mounting hardware. Stainless Piano Hinge.
- 2) Thick Rubber Gasket for sealing Flange to Lid. Rubber Gasket for mounting to rear of Rotary molded SCBA tube.
- 3) Nylon Safety Strap included.
- 4) provided with two .50" holes in flange (with plastic plugs) for door open switches (not included).
- 5) 8" ID Rotary Molded Tube.

Options:  
Lid: Brushed or polished finish.  
Chrome Latch: with or w/o key.  
Painted Grey Latch: with or w/o key.  
Weatherproof Latch: with or w/o key.



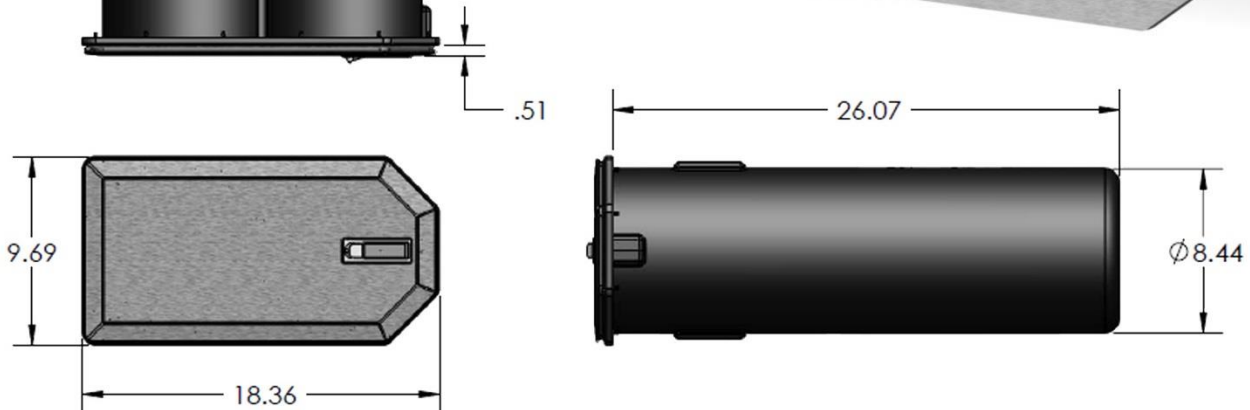
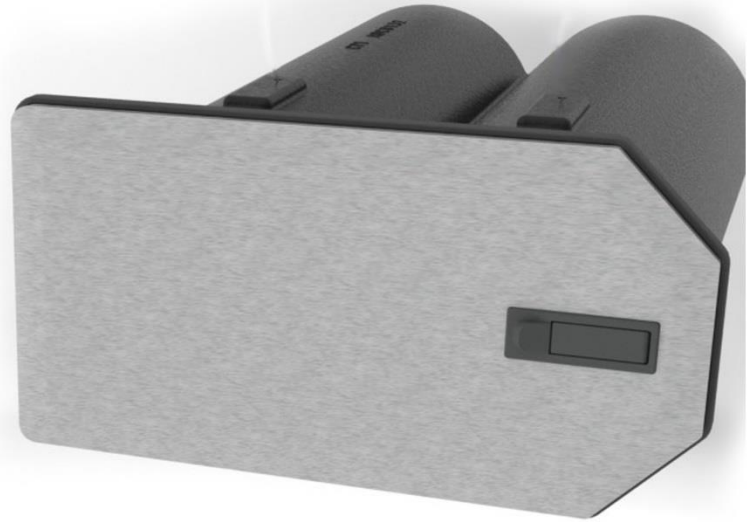
AD2002



## AD2002 Double Stainless Access Door Flange, Lid and Rotary molded double tube.

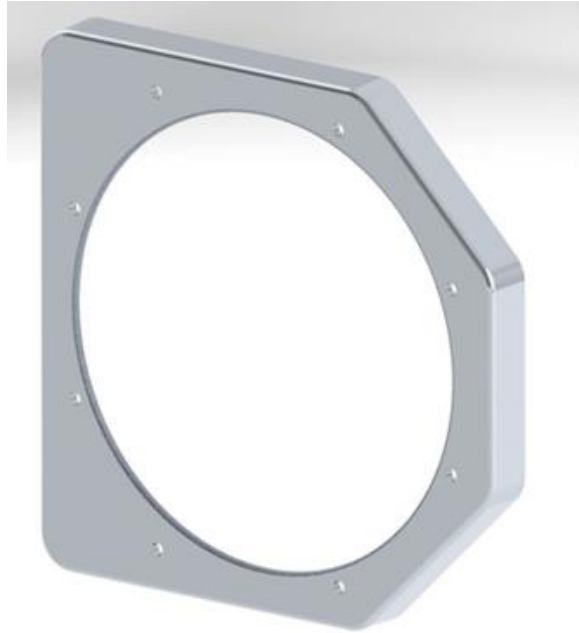
- 1) All concealed mounting hardware. Stainless Piano Hinge.
- 2) Thick Rubber Gasket for sealing Flange to Lid. Rubber Gasket for mounting to rear of Rotary molded SCBA tube.
- 3) Nylon Safety Strap included.
- 4) provided with two .50" holes in flange (with plastic plugs) for door open switches (not included).
- 5) 8" ID Rotary Molded Double-Tube.

Options:  
Lid: Brushed or polished finish.  
Chrome Latch: with or w/o key.  
Painted Grey Latch: with or w/o key.  
Weatherproof Latch: with or w/o key.

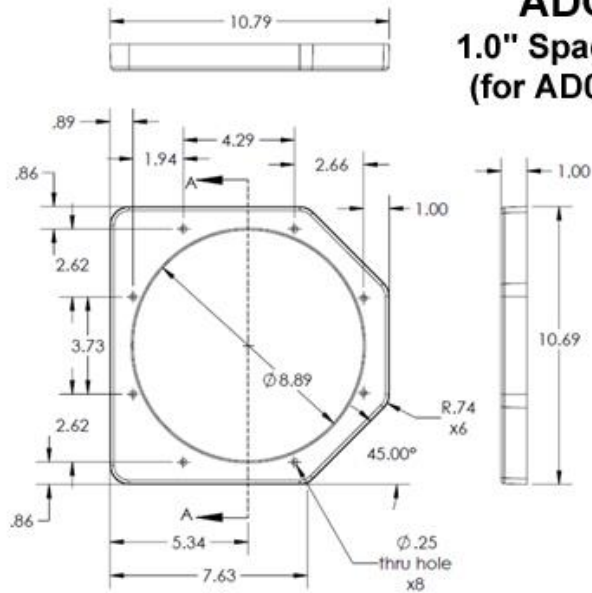


# Access Door Miscellaneous

**ADC0141**

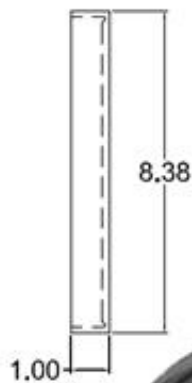
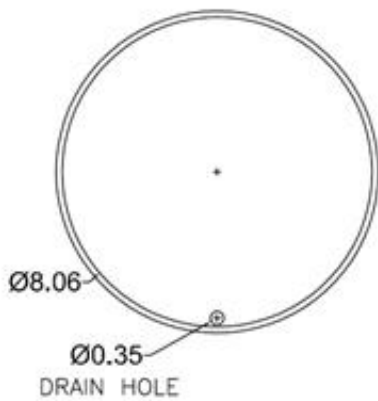


1) Finish: Exterior flange is polished.



**ADC0141**  
1.0" Spacer Casting  
(for AD0035 Assy)

**ADM0001**



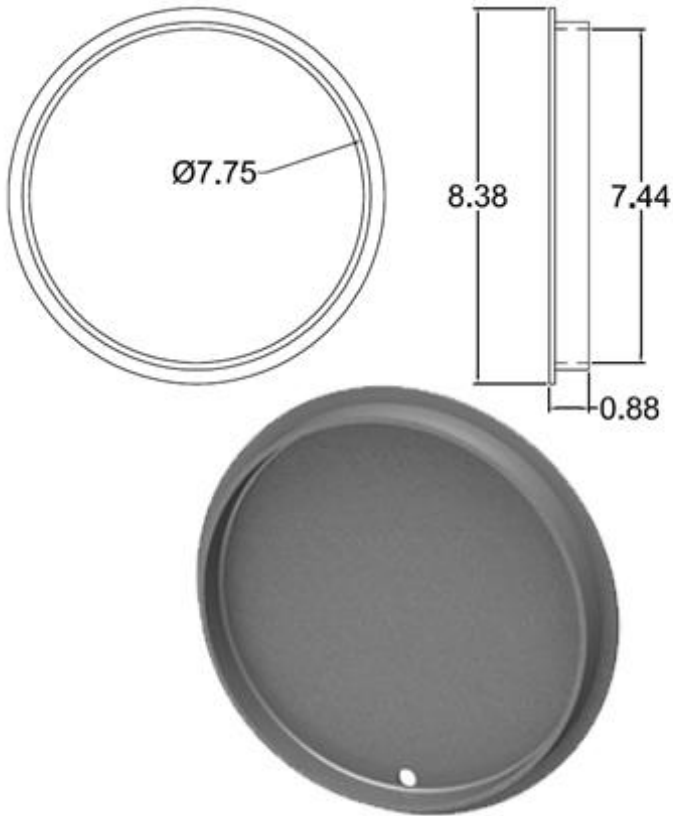
**ADM0001**

**8" Tube Cap with  
Drain Hole**

- 1) Finish: bead blasted (light gray).
- 2) Designed for aiding in the construction of the oxygen bottle compartments by welding the 8" aluminum tube (1/8" thick wall) to the cap.



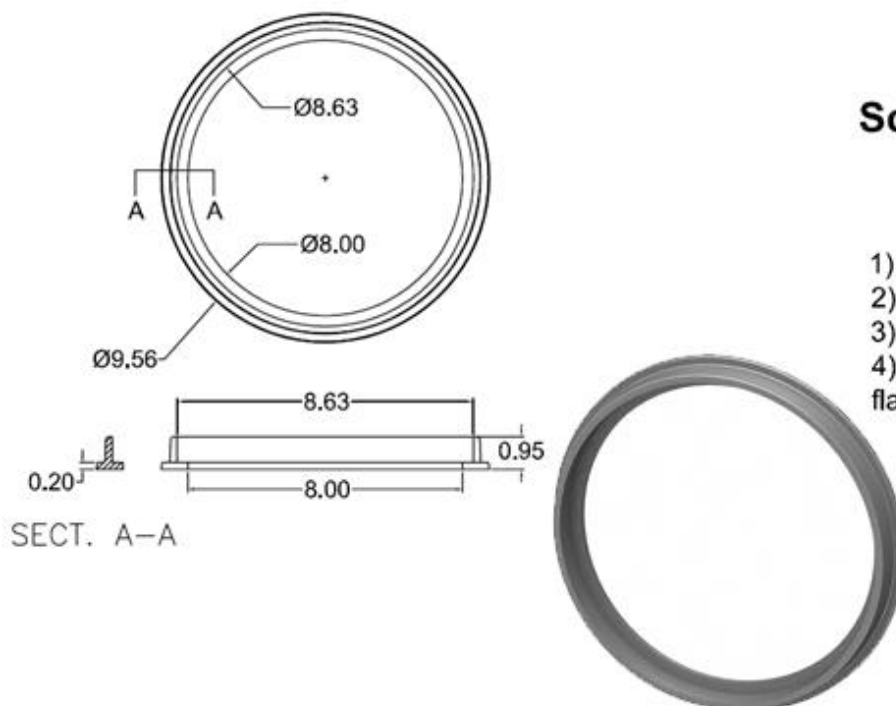
**ADM0002**



## **ADM0002** **8" Tube Cap**

- 1) Finish: Bead - Blasted (Light Gray).
- 2) Designed for aiding in the construction of the oxygen bottle compartments by attaching the 8" PVC tube to the cap.

**ADM0004**



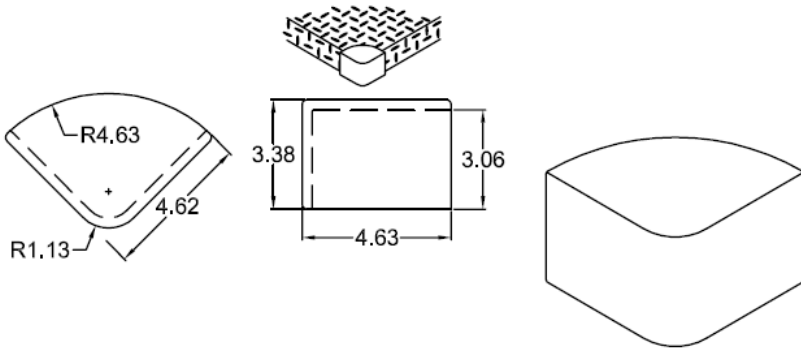
## **ADM0004** **Adapter Ring for** **Schedule 40 PVC Pipe** **- 8 5/8" OD x 8" ID**

- 1) Finish: Wheel - a - Brated.
- 2) Fits to Schedule 40 PVC pipe.
- 3) Fitted with rivets or glue.
- 4) Use with AD0016 Access flange and door.

# Bumper Corners

**BC0001**

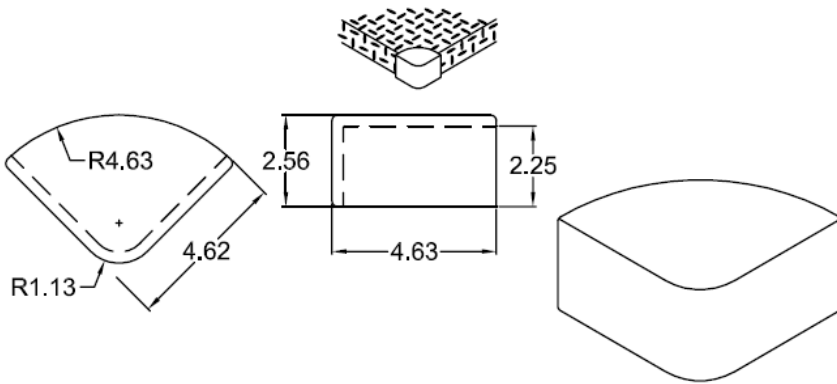
## **BC0001 Bumper Corner Cover**



- 1) Finish: Bright polished.
- 2) Preferred method of installation: Tack weld from underneath.
- 3) Nominal thickness of 1/4".

**BC0002**

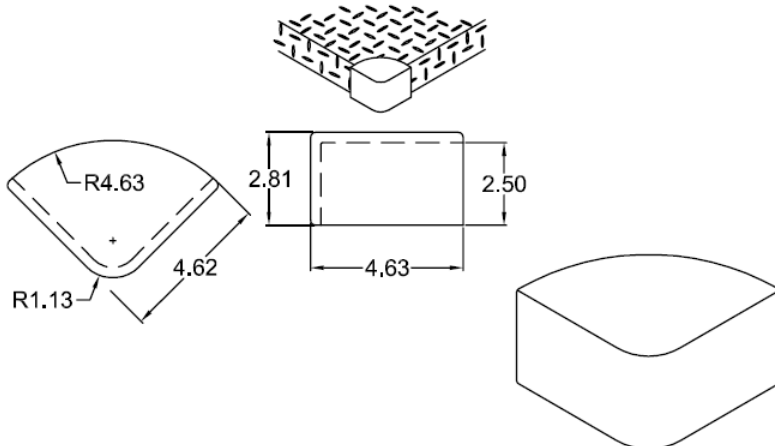
## **BC0002 Bumper Corner Cover**



- 1) Finish: Bright Polished.
- 2) Preferred Installation: Tack weld from underneath.
- 3) Nominal Thickness of 1/4".

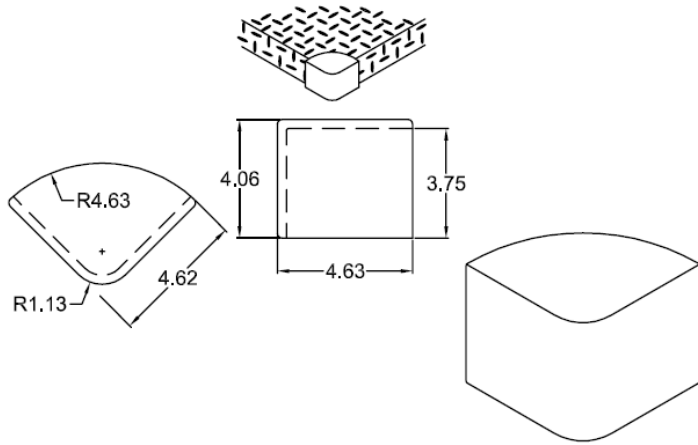
**BC0003**

## **BC0003 Bumper Corner Cover**



- 1) Finish: Bright Polished.
- 2) Preferred Installation: Tack weld from underneath.
- 3) Nominal Thickness of 1/4".

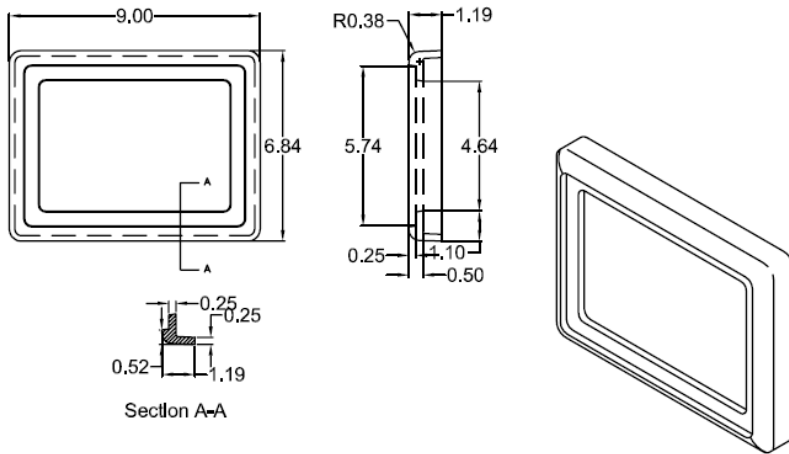
**BC0006**



## **BC0006 Bumper Corner Cover**

- 1) Finish: Bright Polished.
- 2) Preferred Installation: Tack weld from underneath.
- 3) Nominal Thickness of 1/4".

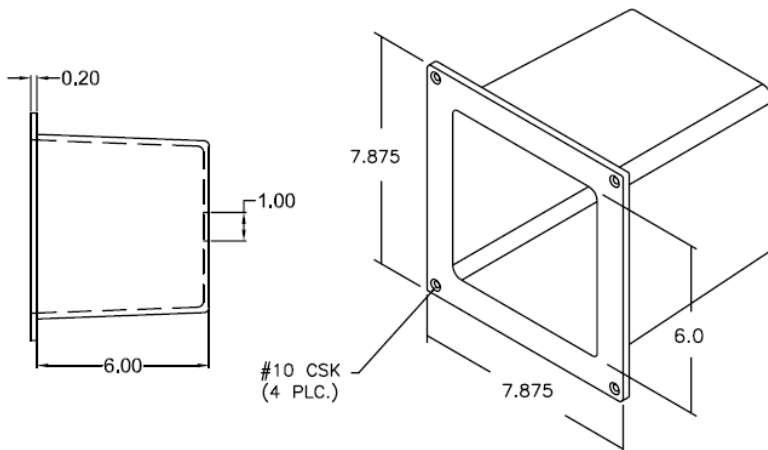
**BC0010**



## **BC0010 Dock Bumper Spacer**

- 1) Serves as a spacer and trim for the rubber bumper blocks.
- 2) Finish: polished.

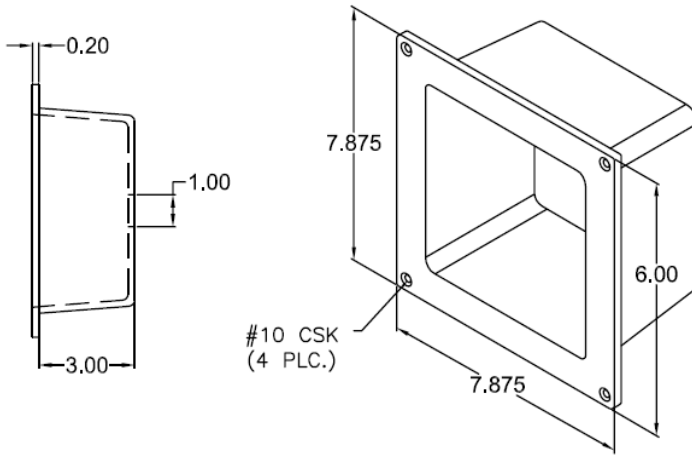
**BC0011**



## **BC0011 Tow-Eye Cover 6" Deep**

- 1) Finish: Flange is polished. Inside is wheel - a - brated.

## BC0012

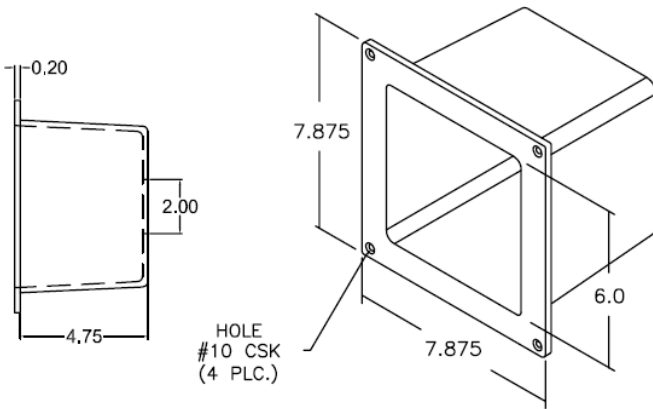


1

## BC0012 Tow-Eye Cover 3" Deep

1) Finish: Flange is polished.  
Inside is wheel - a - brated.

## BC0013

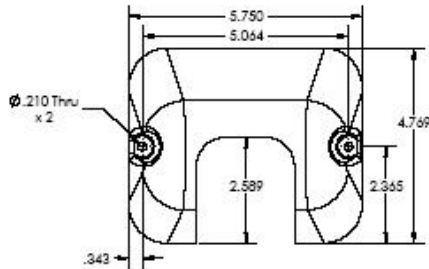
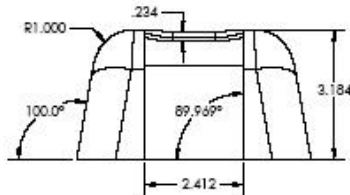
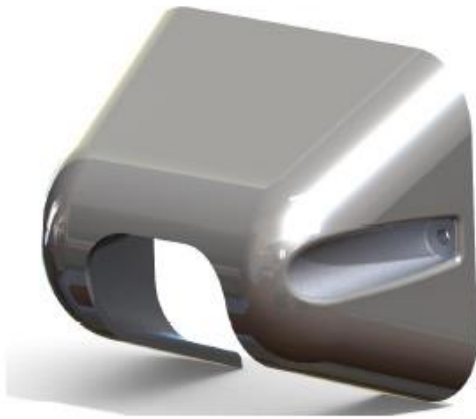


## BC0013 Tow - Eye Cover 4 3/4" Deep

1) Finish: Flange is polished.  
Inside is wheel - a - brated.

## Backup Camera Housings

**BCH0001**

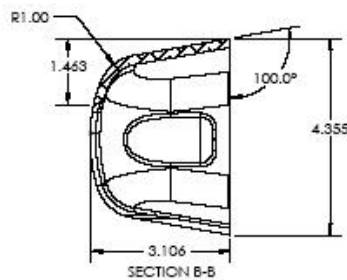
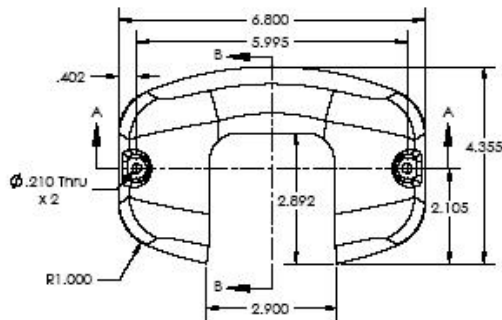
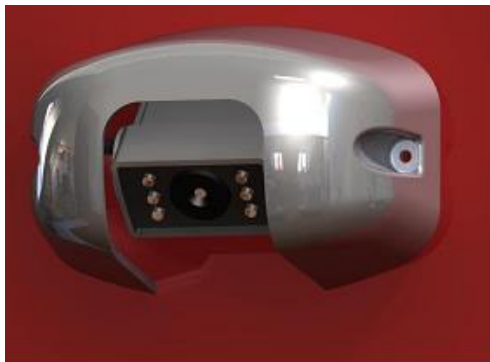


**BCH0001**  
**Backup Camera Housing Shroud**  
**5.75" W x 4.77" T x 3.18" D**  
**(Open back - wedge shaped)**

1) Finish: Exterior surfaces are polished.

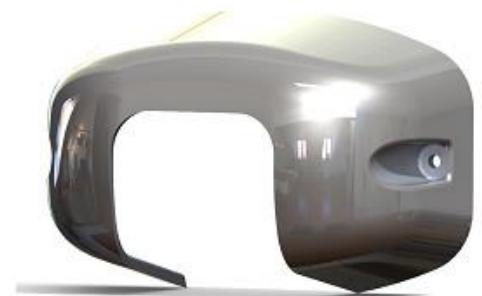


**BCH0002**



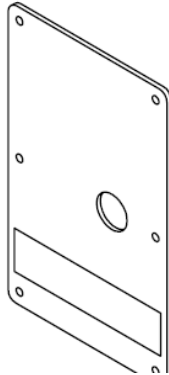
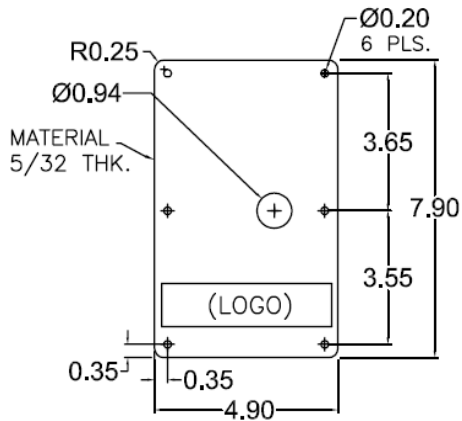
**BCH0002**  
**Backup Camera Housing Shroud**  
**6.80" W x 4.37" T x 3.10" D**  
**(Open back - oval shaped)**

1) Finish: Exterior surfaces are polished.



# Door Hardware

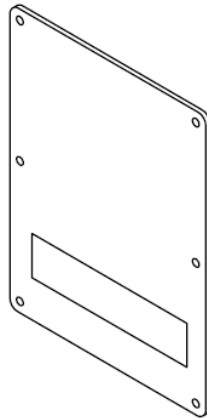
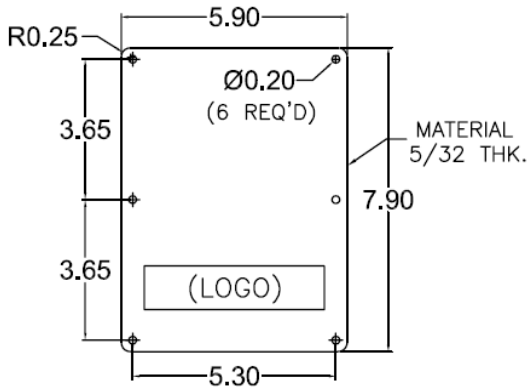
## DH0001



## DH0001 Door Latch Cover Plate

- 1) Finish: Available ground and brushed or ball-burnished.
- 2) Other sizes available upon request.

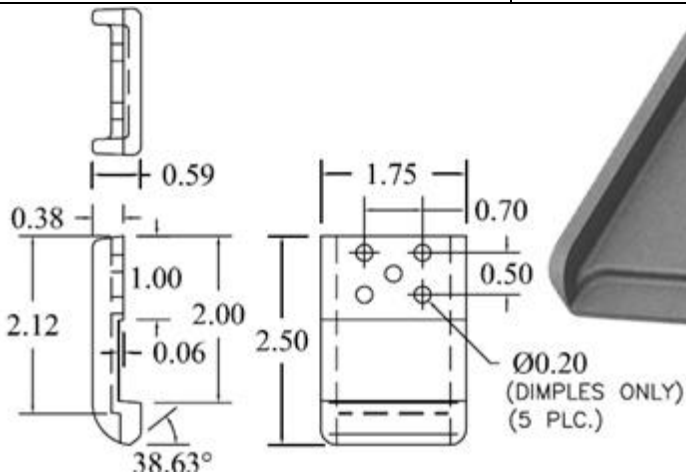
## DH0002



## DH0002 Door Latch Cover Plate

- 1) Finish: Available ground and brushed or ball-burnished.
- 2) Other sizes available upon request.

## DH0006



## DH0006 Door Striker Plate

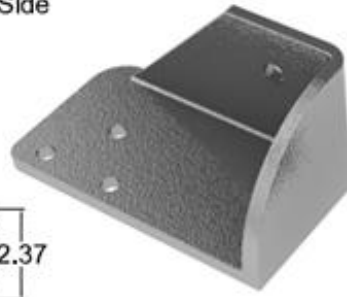
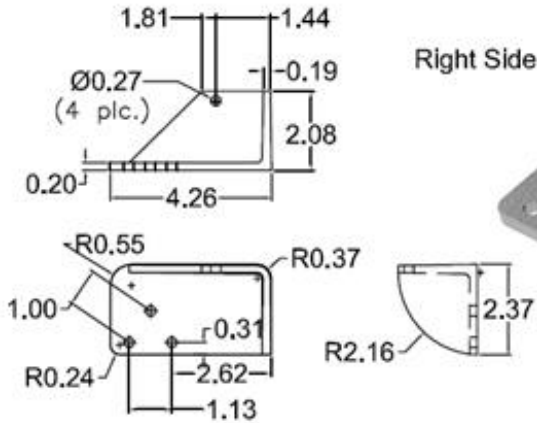
- 1) Finish: Wheel-a-brated.

**DH0007**

**DH0007**

**Right Door Bracket**

1) Finish: Ball-burnished.

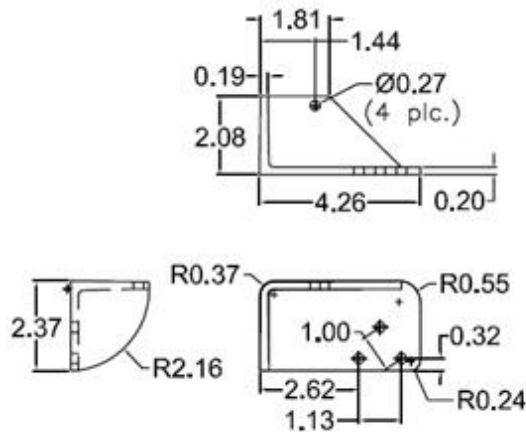


**DH0008**

**DH0008**

**Left Door Bracket**

1) Finish: Ball-burnished.



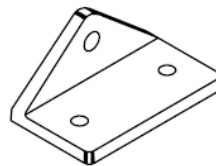
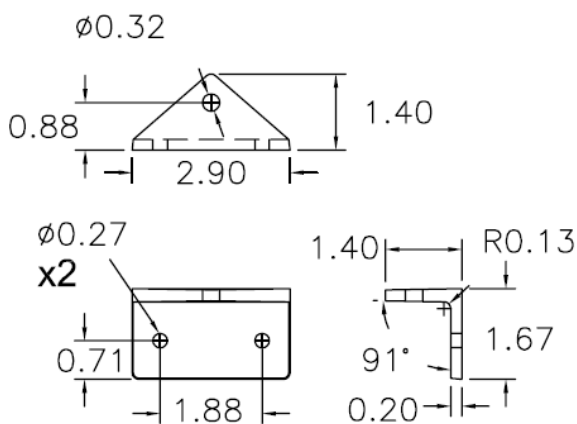
1

**DH0011**

**DH0011**

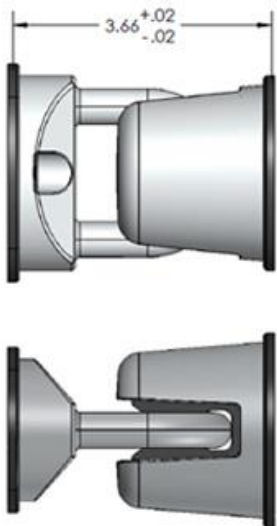
**Door Bracket**

1) Finish: Ball-burnished.



## DH0016 and -A

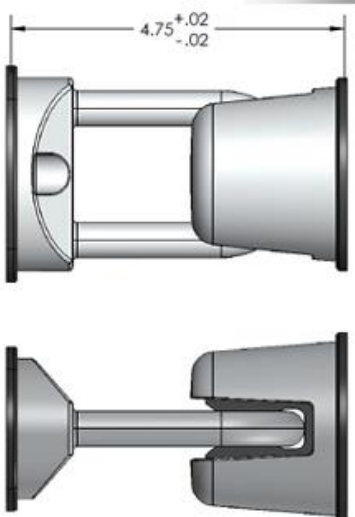
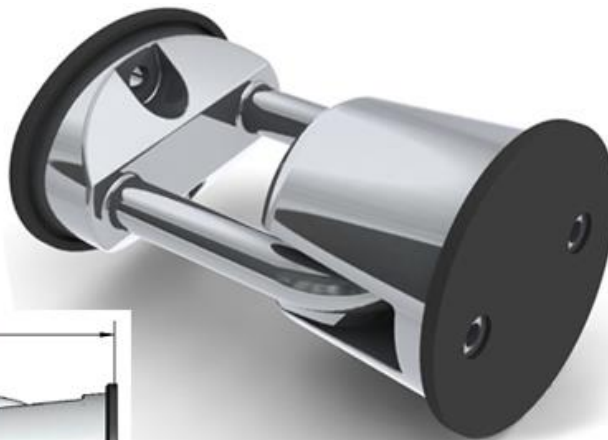
### DH0016 and -A Door "Grabber" Assembly (3.66" Base to Base)



Part #:	Finish:	
DH0016-1CH	Diecast, Chrome-Plated	1) Finish: Polished and Chrome Plated exterior (to CASS 24 specifications).
DH0016-1CH-A	Diecast, Chrome-Plated w/ Rubber Gasket Set	1) Finish: Polished and Chrome Plated exterior (to CASS 24 specifications). 2) Supplied with Rubber Mounting Gaskets (Round and Oval).
DH0016-1-U	AL356, Polished	1) Finish: Polished exterior.
DH0016-1-UA	AL356, Polished w/ Rubber Gasket Set	1) Finish: Polished exterior. 2) Supplied with Rubber Mounting Gaskets (Round and Oval).
DH0016-5	AL356, Ball-Burnished	1) Finish: Ball-Burnished exterior.
DH0016-5-A	AL356, Ball-Burnished w/ Rubber Gasket Set	1) Finish: Ball-Burnished exterior. 2) Supplied with Rubber Mounting Gaskets (Round and Oval).

## DH0017 and -A

### DH0017 and -A Door "Grabber" Assembly (4.75" Base to Base)

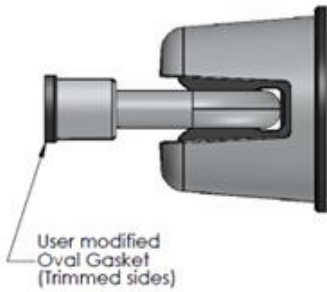
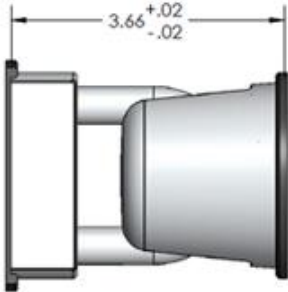


Part #:	Finish:	
DH0017-1CH	Diecast, Chrome-Plated	1) Finish: Polished and Chrome Plated exterior (to CASS 24 specifications).
DH0017-1CH-A	Diecast, Chrome-Plated, w/ Rubber Gasket Set	1) Finish: Polished and Chrome Plated exterior (to CASS 24 specifications). 2) Supplied with Rubber Mounting Gaskets (Round and Oval).
DH0017-1-U	AL356, Polished	1) Finish: Polished exterior.
DH0017-1-UA	AL356, Polished, w/ Rubber Gasket Set	1) Finish: Polished exterior. 2) Supplied with Rubber Mounting Gaskets (Round and Oval).
DH0017-5	AL356, Ball-Burnished	1) Finish: Ball-Burnished exterior.
DH0017-5-A	AL356, Ball-Burnished w/ Rubber Gasket Set	1) Finish: Ball-Burnished exterior. 2) Supplied with Rubber Mounting Gaskets (Round and Oval).



## DH0018 and -A

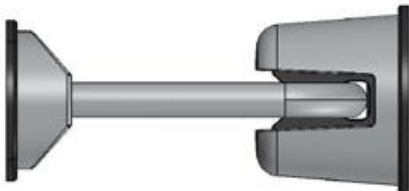
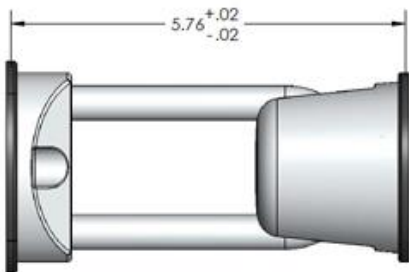
### DH0018 and -A Door "Grabber" Assembly w/ Narrow Base (3.66" Base to Base)



Part #:	Finish:	
DH0018-1	AL356, Polished	1) Finish: Polished exterior.
DH0018-1-A	AL356, Polished w/ Rubber Gasket Set	1) Finish: Polished exterior. 2) Supplied with Rubber Mounting Gaskets (Round and Oval - trimmed to fit by user).

## DH0019 and -A

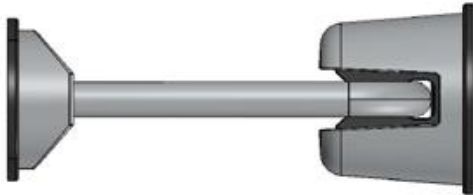
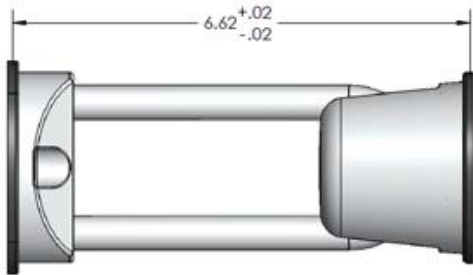
### DH0019 and -A Door "Grabber" Assembly (5.76" Base to Base)



Part #:	Finish:	
DH0019-1	AL356, Polished	1) Finish: Polished exterior.
DH0019-1-A	AL356, Polished w/ Rubber Gasket Set	1) Finish: Polished exterior. 2) Supplied with Rubber Mounting Gaskets (Round and Oval).

## DH0020 and -A

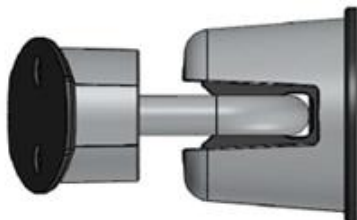
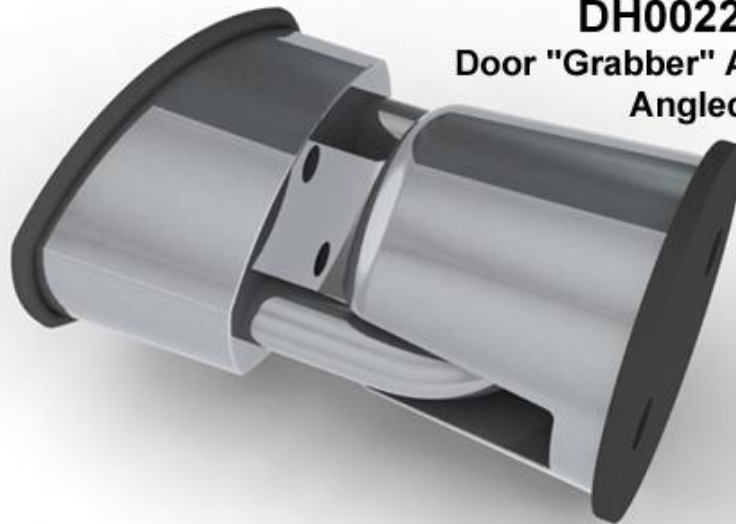
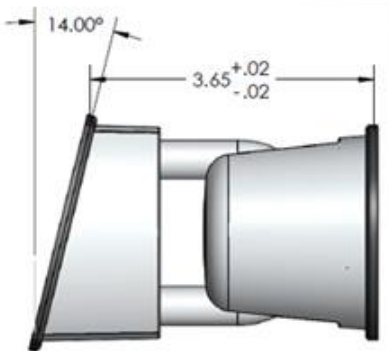
### DH0020 and -A Door "Grabber" Assembly (6.62" Base to Base)



Part #:	Finish:	
DH0020-1	AL356, Polished	1) Finish: Polished exterior.
DH0020-1-A	AL356, Polished w/ Rubber Gasket Set	1) Finish: Polished exterior. 2) Supplied with Rubber Mounting Gaskets (Round and Oval).

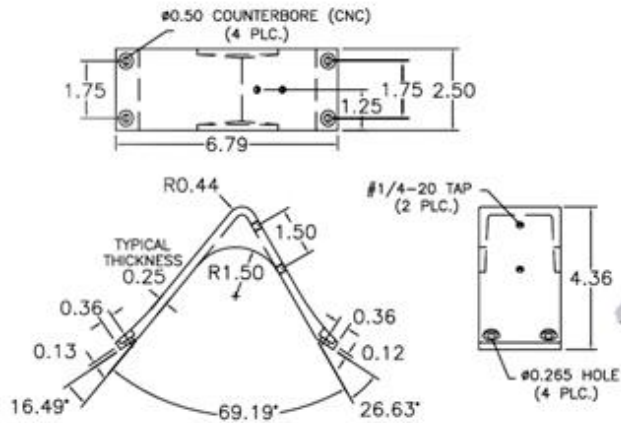
## DH0022 and -A

### DH0022 and -A Door "Grabber" Assembly w/ 14d. Angled Base



Part #:	Finish:	
DH0022-1	AL356, Polished	1) Finish: Polished exterior.
DH0022-1-A	AL356, Polished w/ Rubber Gasket Set	1) Finish: Polished exterior. 2) Supplied with Rubber Mounting Gaskets (Round and Oval).

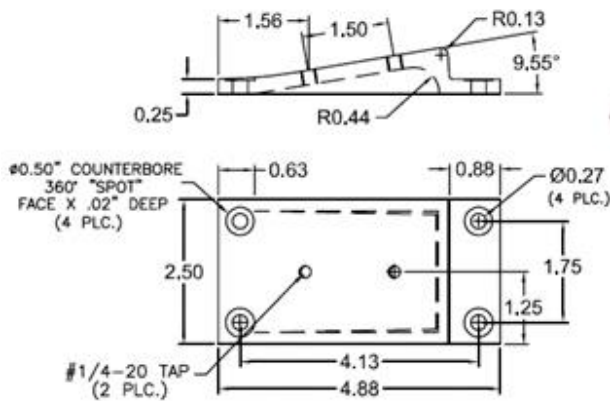
## DH0024



## DH0024 Door Stop Wedge Bracket

1) Finish: Polished

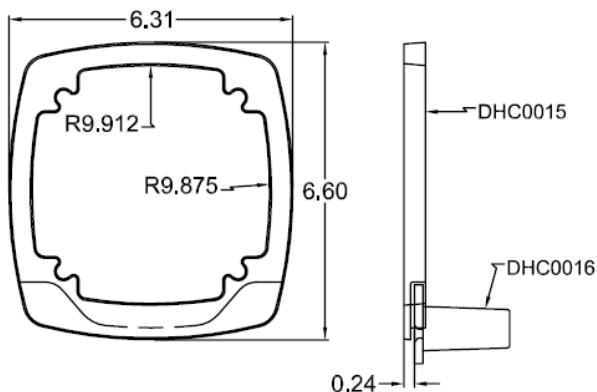
## DH0025



## DH0025 Door Stop Wedge Bracket

1) Finish: polished.

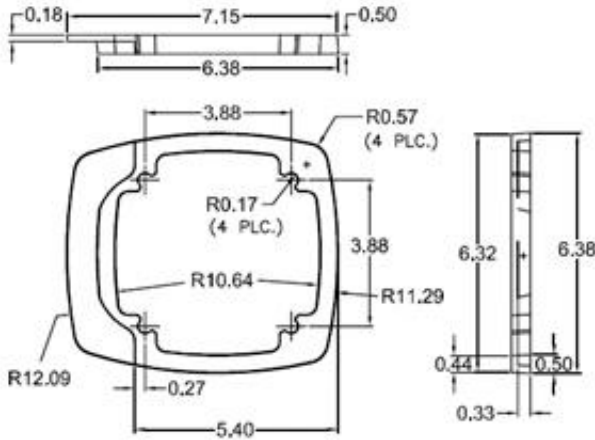
## DH0028



## DH0028 Latch Spacer Trim

- 1) Finish: 120 grit ground or polished.
- 2) Serves as a spacer where D-Ring type latches and handles are used on thin compartment doors.

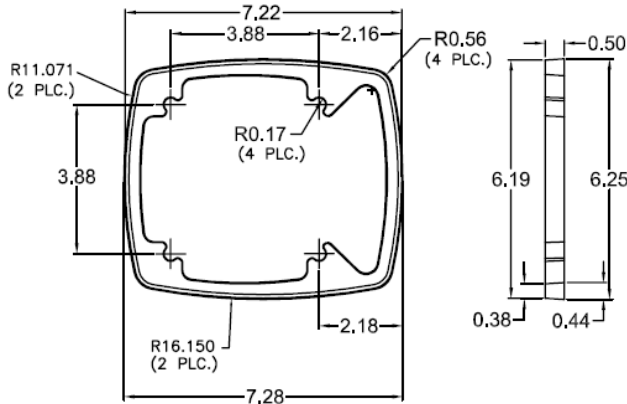
## DH0029



## DH0029 Latch Spacer Trim (Large)

- 1) Finish: 120 grit ground or polished.
- 2) Serves as a spacer where D-Ring type latches and handles are used on thin compartment doors.

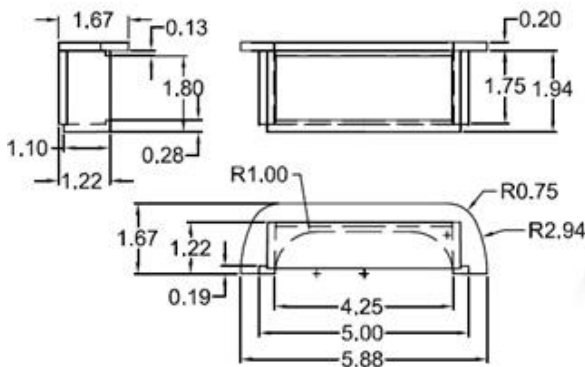
## DH0030



## DH0030 Latch Spacer Trim (Large)

- 1) Finish: 120 grit ground or polished.
- 2) Serves as a spacer where D-Ring type latches and handles are used on thin compartment doors.

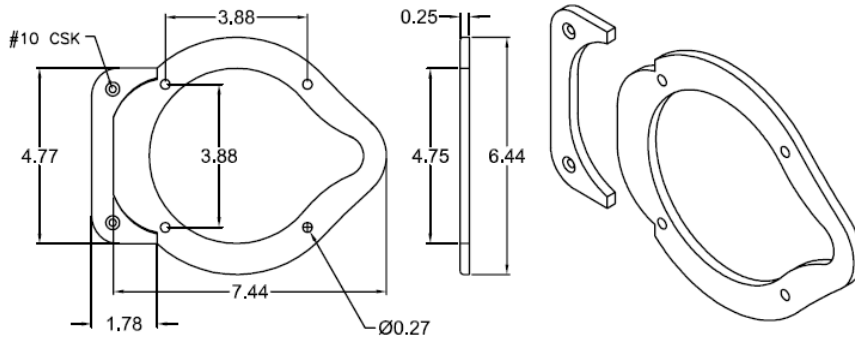
## DH0031



## DH0031 Extrusion Latch Cover

- 1) Finish: Bright Polished.

## DH0032

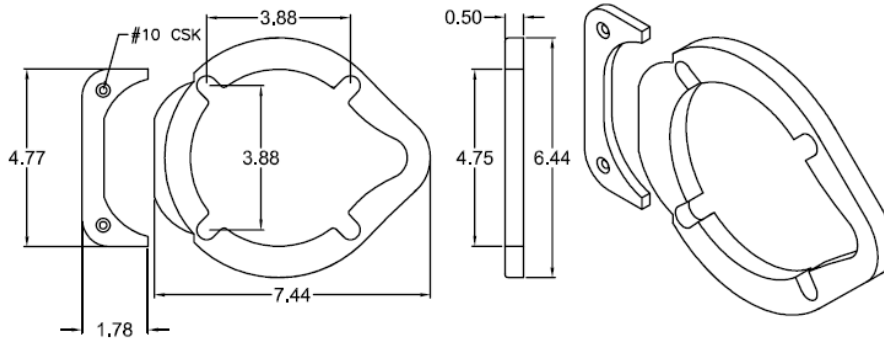


1

## DH0032 D-Ring Spacer (2 Piece set)

- 1) Finish: 120 grit ground or polished.
- 2) Serves as a spacer where D-Ring type latches and handles are used on thin compartment doors.

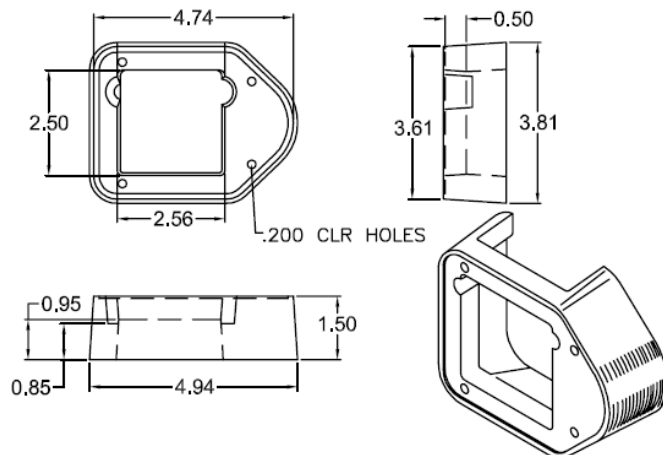
## DH0033



## DH0033 D-Ring Spacer (2 Piece set)

- 1) Finish: 120 grit ground or polished.
- 2) Serves as a spacer where D-Ring type latches and handles are used on thin compartment doors.

## DH0036

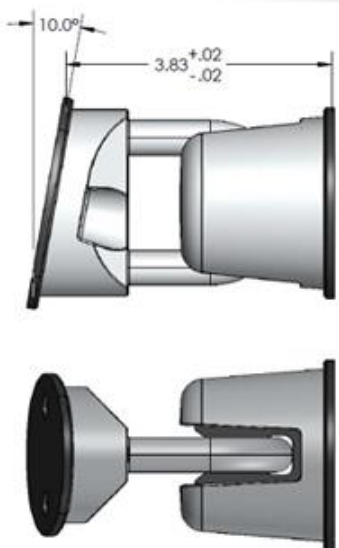
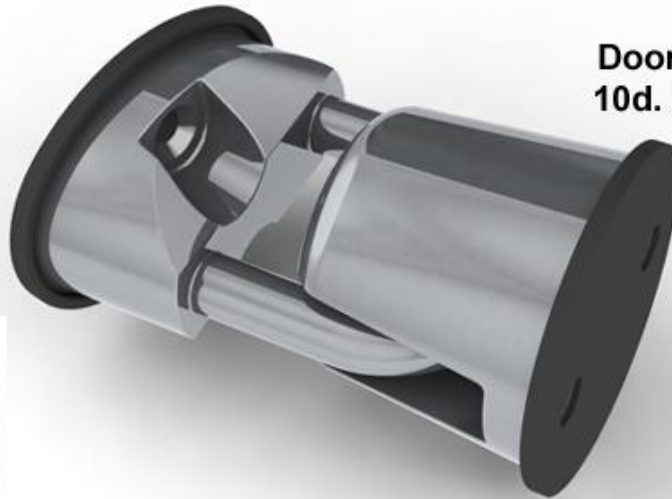


## DH0036 Squad Bench Latch Spacer

- 1) Finish: 120 grit ground or polished.
- 2) Serves as a spacer where D-Ring type latches and handles are used on thin compartment doors.

## DH0041 and -A

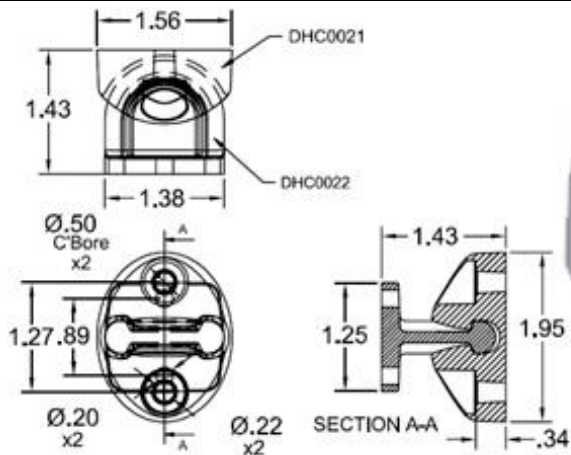
### DH0041 and -A Door "Grabber" Assembly w/ 10d. Angled Base (3.83" Base to Base)



Part #:	Finish:	
DH0041-1	AL356, Polished	1) Finish: Polished exterior.
DH0041-1-A	AL356, Polished w/ Rubber Gasket Set	1) Finish: Polished exterior. 2) Supplied with Rubber Mounting Gaskets (Round and Oval).
DH0041-1CH	Diecast, Chrome-Plated	1) Finish: Polished and Chrome Plated exterior (to CASS 24 specifications).
DH0041-1CH-A	Diecast, Chrome-Plated, w/ Rubber Gasket Set	1) Finish: Polished and Chrome Plated exterior (to CASS 24 specifications). 2) Supplied with Rubber Mounting Gaskets (Round and Oval).

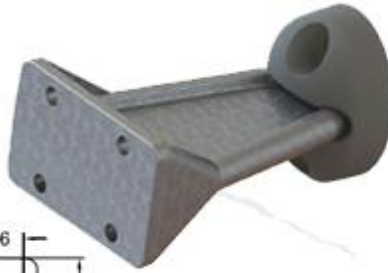
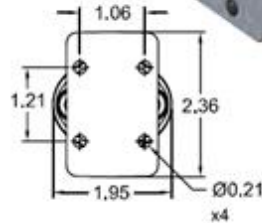
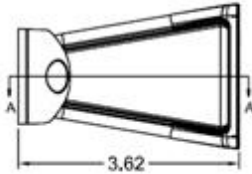
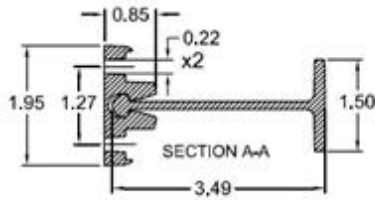
## DH0042

### DH0042 Mini Door Grabber



- 1) Finish: Ball-burnished.
- 2) Material: Male plunger is Aluminum 356. Female socket is solid rubber.

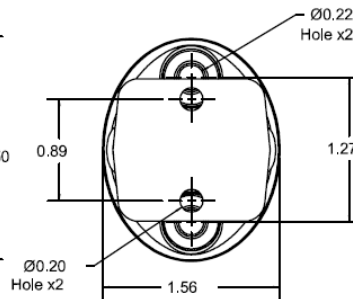
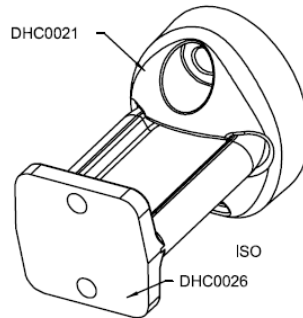
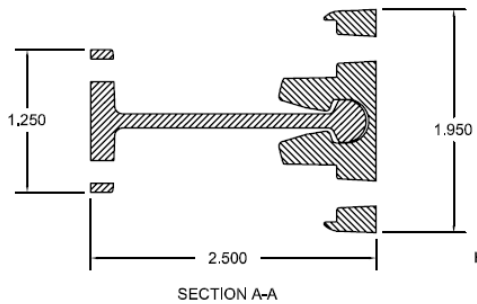
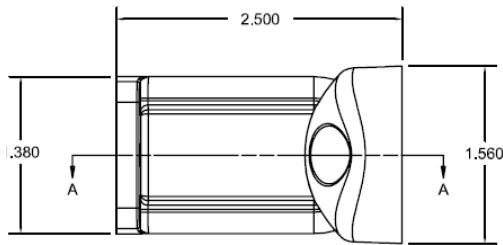
## DH0043



## DH0043 Mini Door Grabber

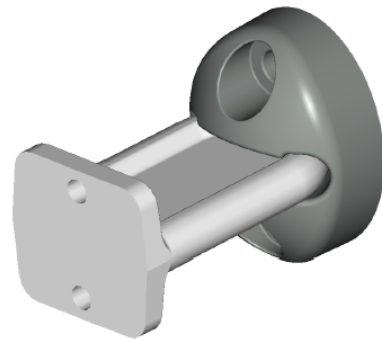
- 1) Finish: Ball-burnished.
- 2) Material: Male plunger is Aluminum 356. Female socket is solid rubber.

## DH0046

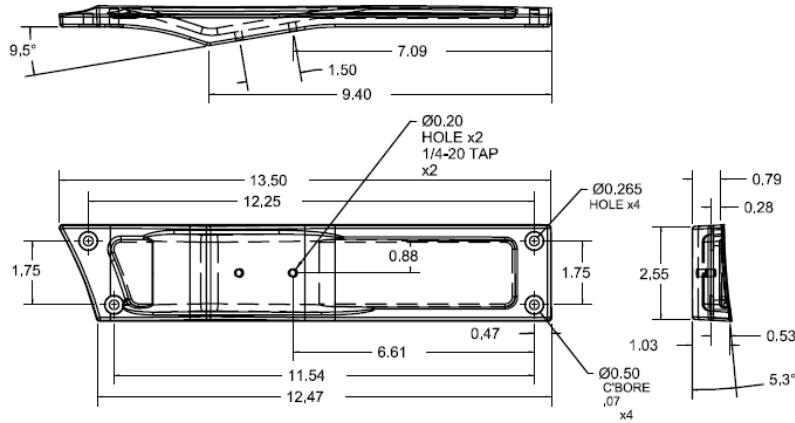


## DH0046 Mini Door Grabber 2.50" BTB

- 1) Finish: Ball-burnished.
- 2) Material: Male plunger is Aluminum 356. Female socket is solid rubber.



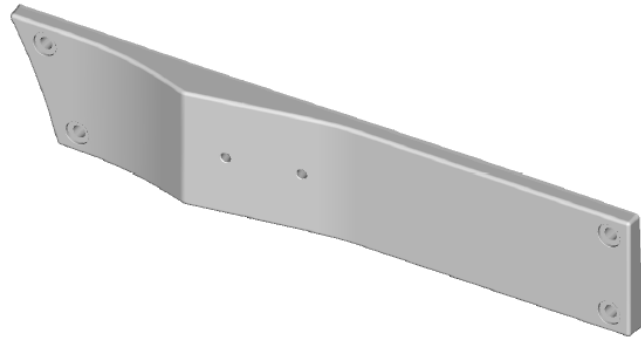
## DH0050



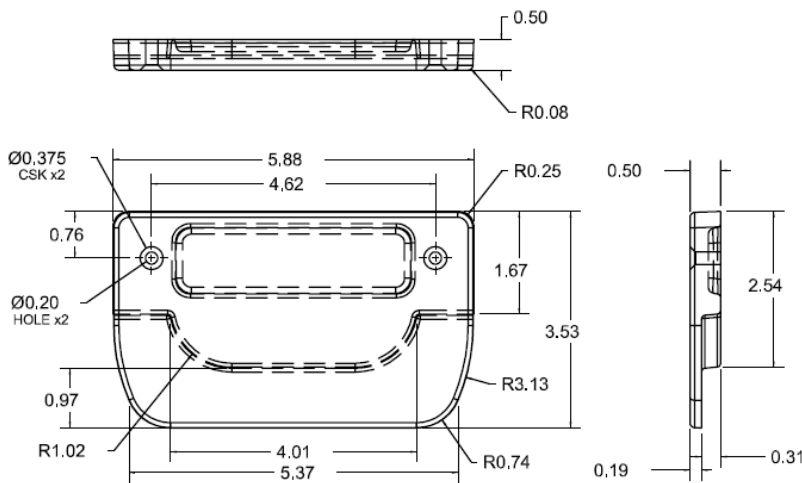
## DH0050

### 9.5d. Door Grabber Wedge Spacer (E350 Side Panel)

1) Finish: polished.



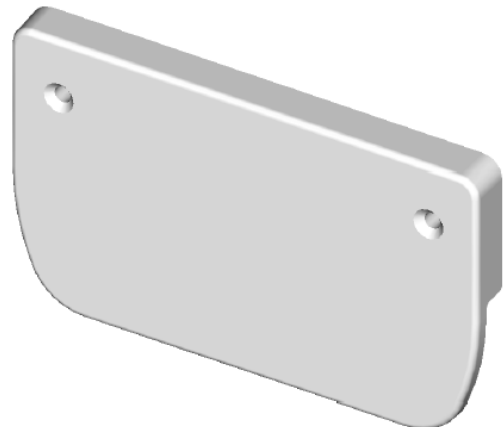
## DH0051



## DH0051

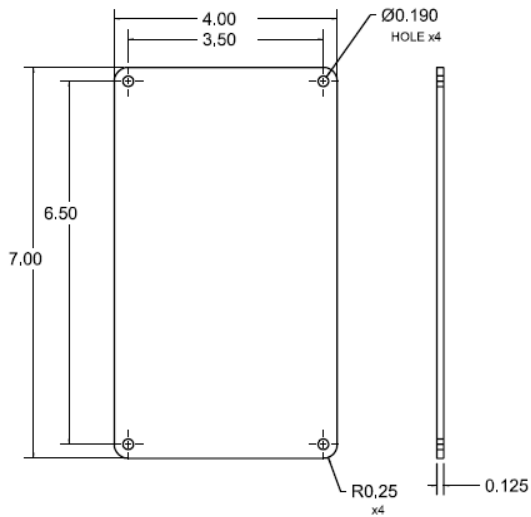
### Door Latch Cover Plate

1) Finish: polished.





## DH0052

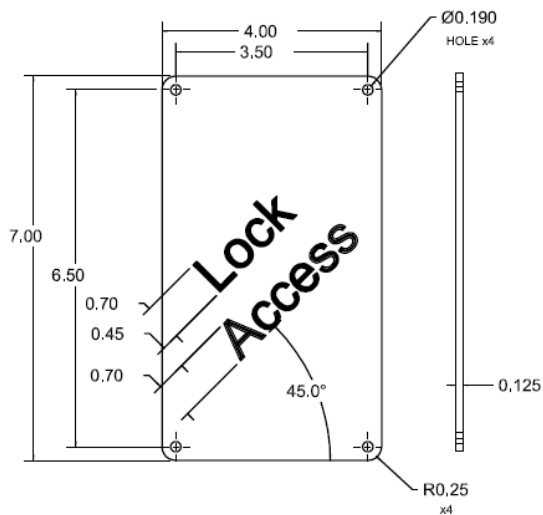


## DH0052

### Plain 4x7 Electric Latch Cover Plate

1) Finish: ball-burnished.

## DH0052-B



## DH0052-B

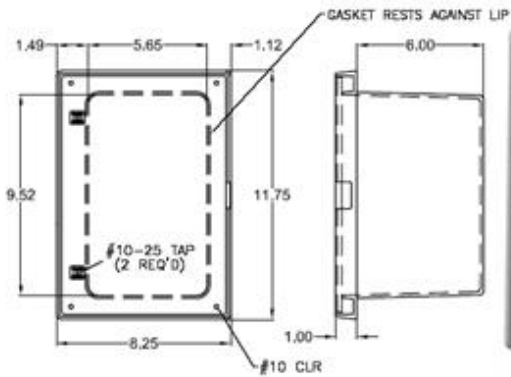
### 45d "Lock Access" engraved 4x7 Electric Latch Cover Plate

1) Finish: ball-burnished.





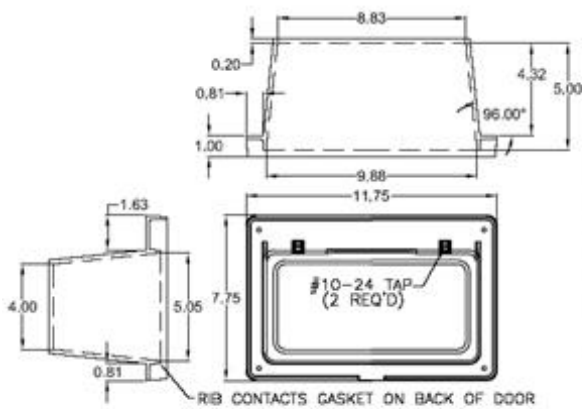
## EB0002



## EB0002 Phone Box

- 1) All concealed mounting hardware and hinges.
- 2) Finish outside flange - polished. lid - 120 grit directional ground.

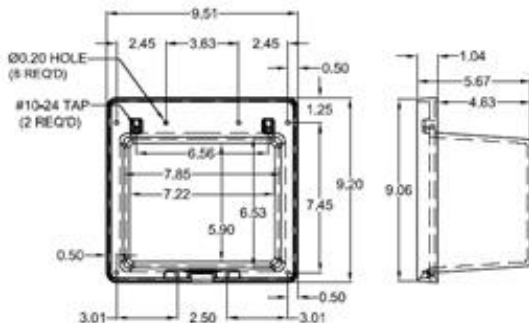
## EB0003



## EB0003 Phone Box

- 1) All concealed mounting hardware and hinges.
- 2) Finish outside flange - polished. lid - 120 grit directional ground.

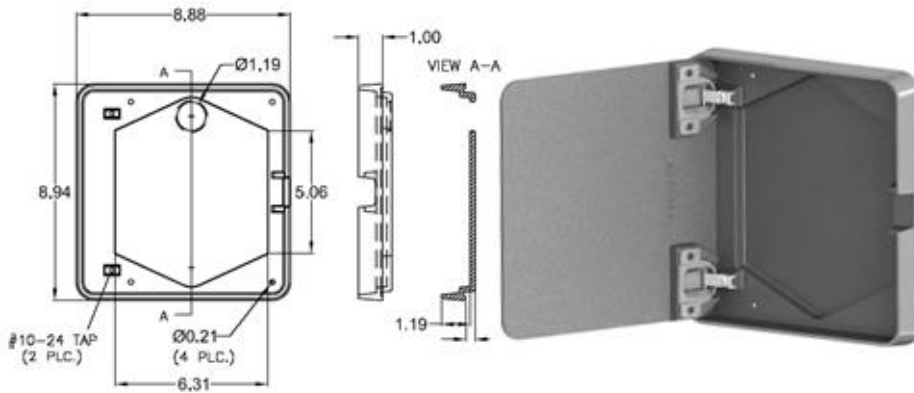
## EB0004



## EB0004 Microphone Box with Slam Latch

- 1) All concealed mounting hardware and hinges.
- 2) Finish outside flange - polished. lid - 120 grit directional ground.
- 3) Standard Slam-Latch.

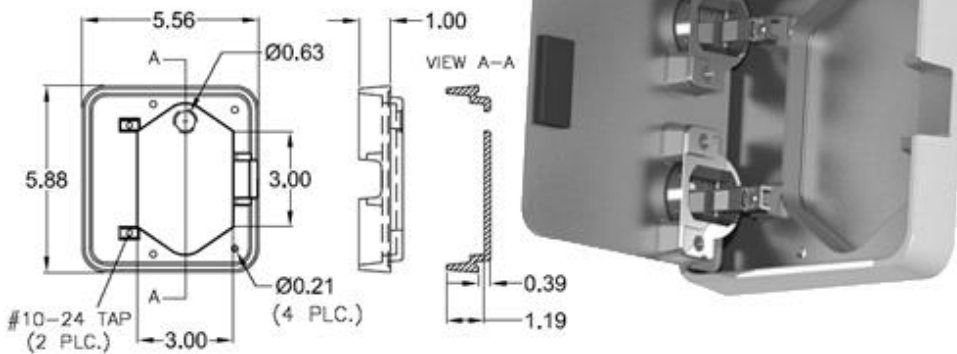
## EB0005



### EB0005 Aerial Switch Panel Access Box with Hinged Flange

- 1) All concealed mounting hardware and hinges.
- 2) Finish outside flange - polished, lid - 120 grit directional ground.
- 3) One 3/16" hole drilled at the top or bottom for the mounting of the lamp. This allows for the door to be mounted for Left or Right handed openings.

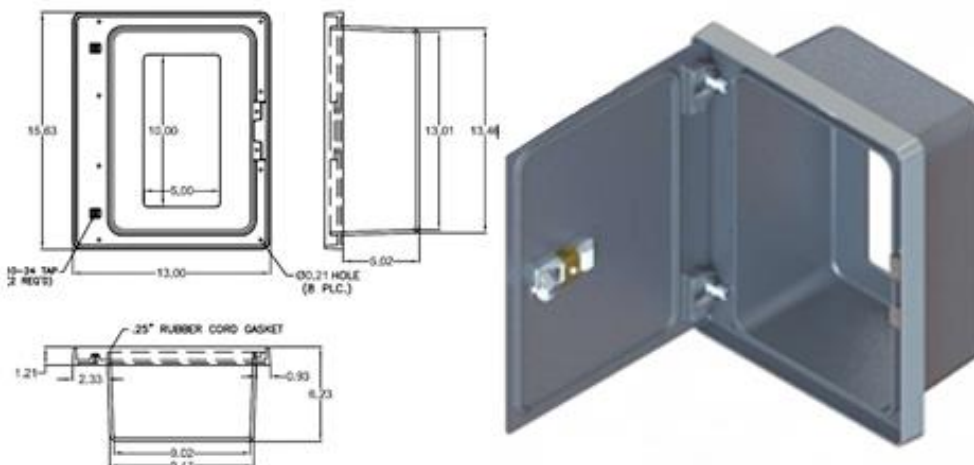
## EB0006



### EB0006 Aerial Switch Panel Access Box with Hinged Flange

- 1) All concealed mounting hardware and hinges.
- 2) Finish outside flange - polished, lid - 120 grit directional ground.
- 3) One 3/16" hole drilled at the top or bottom for the mounting of the lamp. This allows for the door to be mounted for Left or Right handed openings.

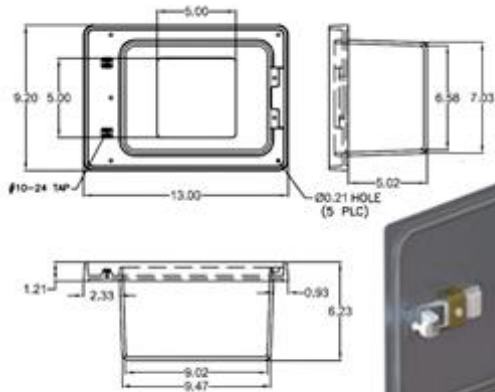
## EB0007



### EB0007 Outrigger Control Box with Lever Latch and Seal

- 1) All concealed mounting hardware and hinges.
- 2) Finish: Outside flange - polished, lid - 120 grit directional ground.
- 3) Uses 1/4" rubber cord gasket in back of lid.
- 4) Product sold with Southco adjustable lever latch installed.

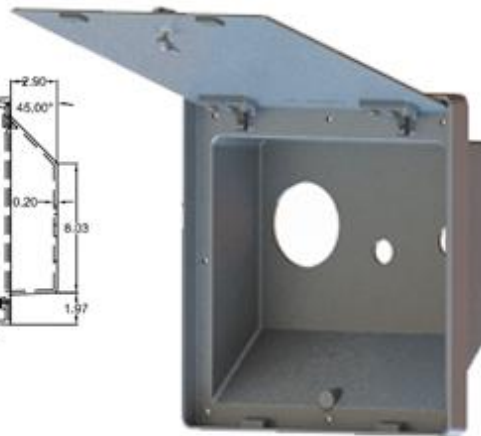
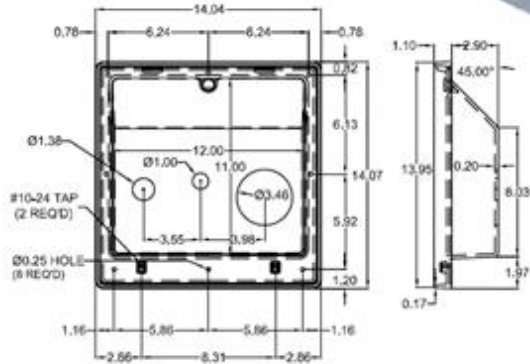
## EB0008



## EB0008 Outrigger Control Box with Lever Latch and Seal

- 1) All concealed mounting hardware and hinges.
- 2) Finish: Outside flange - polished. lid - 120 grit directional ground.
- 3) Uses 1/4" rubber cord gasket in back of lid.
- 4) Product sold with Southco adjustable lever latch installed.

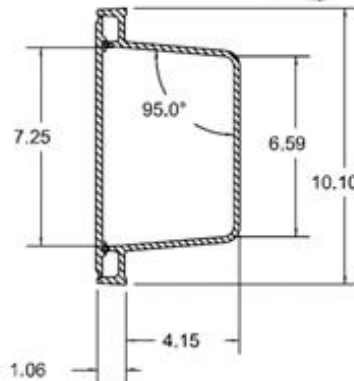
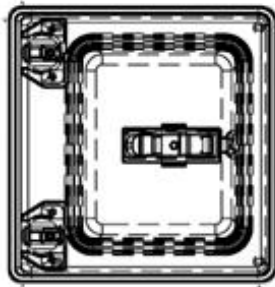
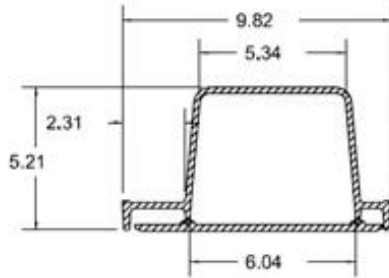
## EB0009



## EB0009 Water Fill Enclosed Box

- 1) All concealed mounting hardware and hinges.
- 2) Finish: Outside flange - polished. lid - 120 grit directional ground.
- 3) Product sold with Southco 100 series latch installed.

**EB0010**

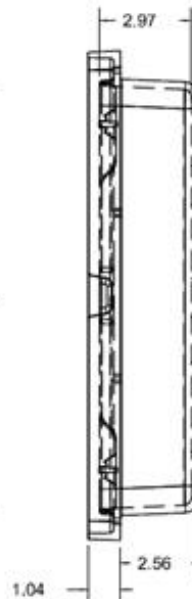
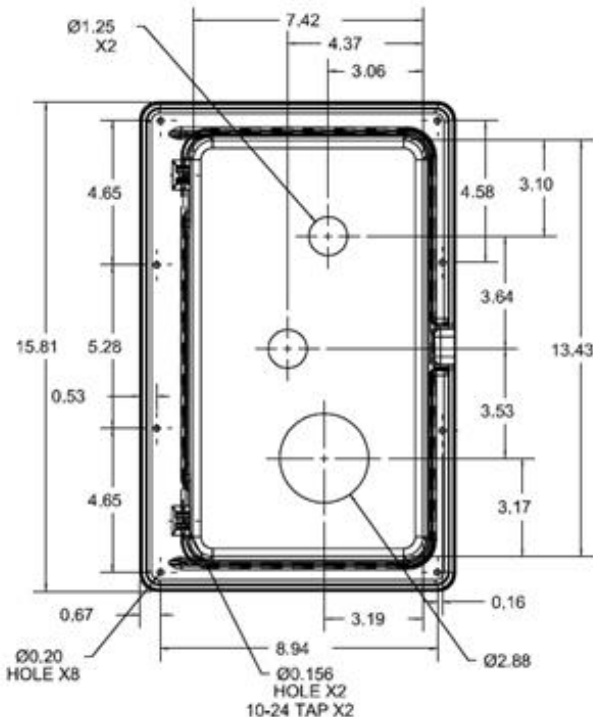


**EB0010**

**Microphone Box w/  
Gasket Seal w/  
Southco Lever  
Latch**

- 1) All concealed mounting hardware and hinges.
- 2) Finish: Outside flange - polished. lid - 120 grit directional ground.
- 3) Uses 1/4" rubber cord gasket in back of lid.
- 4) Product sold with Southco adjustable lever latch installed.

**EB0011**



**EB0011**

**Phone Box w/ Lid and  
Gasket (2 1/2" deep)**

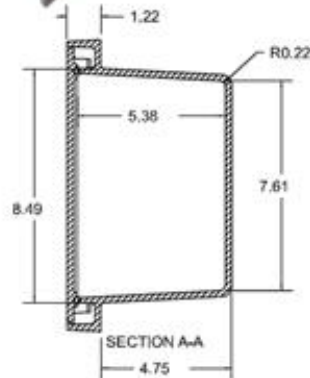
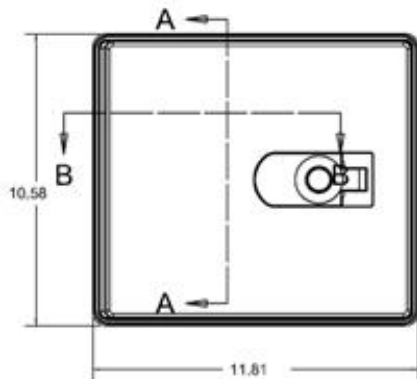
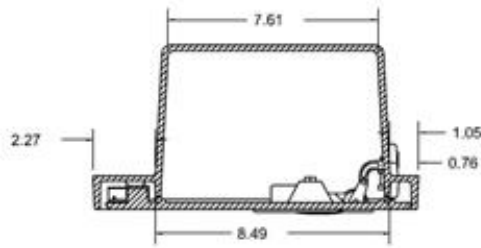
- 1) All concealed mounting hardware and hinges.
- 2) Finish: Outside flange - polished. lid - 120 grit directional ground.
- 3) Uses 1/4" rubber cord gasket in back of lid.



## EB0012

## EB0012

### Headset Box w/ Lid, Door Gasket and Weatherproof Southco Lever Latch (Non-locking)

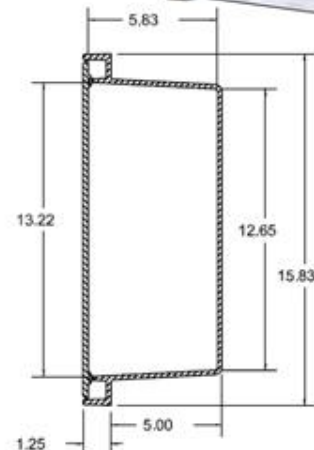
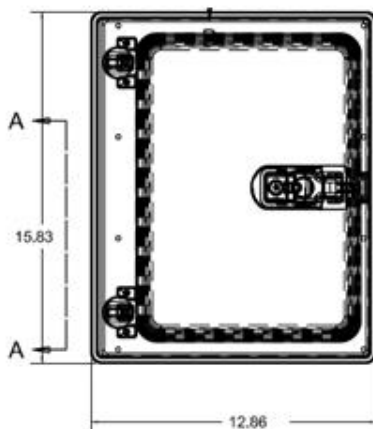
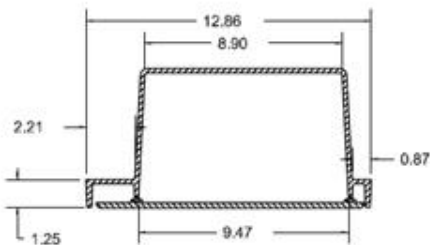


- 1) All concealed mounting hardware and hinges.
- 2) Finish: Outside flange - polished, lid - 120 grit directional ground.
- 3) Uses 1/4" rubber cord gasket in back of lid.
- 4) Product sold with Weather proof Southco adjustable lever latch installed (non-locking).

## EB0013

## EB0013

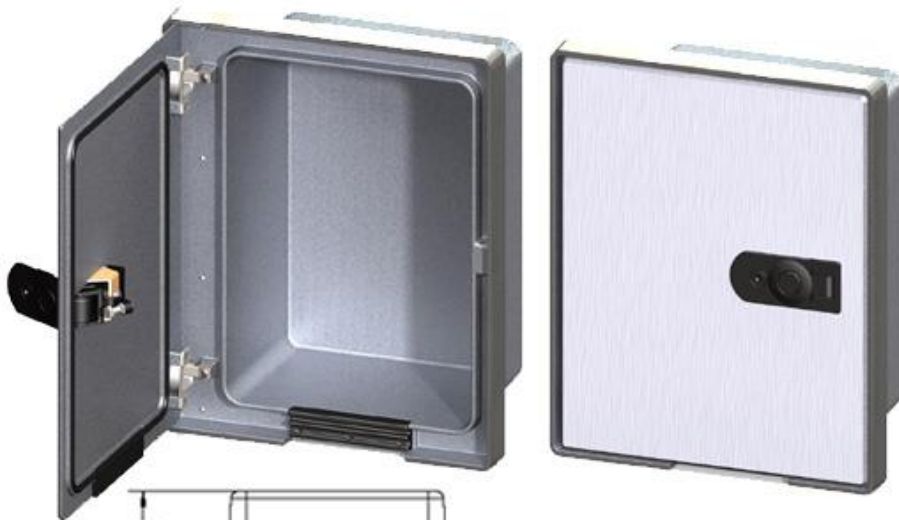
### Phone Box w/ Lid, Door Gasket and Locking Weatherproof Southco Lever Latch



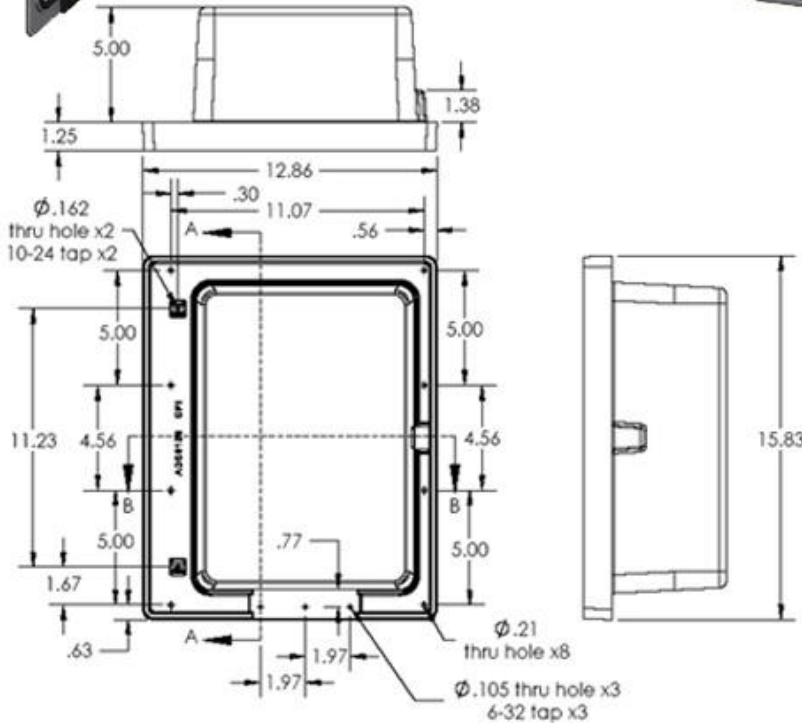
- 1) All concealed mounting hardware and hinges.
- 2) Finish: Outside flange - polished, lid - 120 grit directional ground.
- 3) Uses 1/4" rubber cord gasket in back of lid.
- 4) Product sold with Weather proof Southco adjustable lever latch installed (locking).



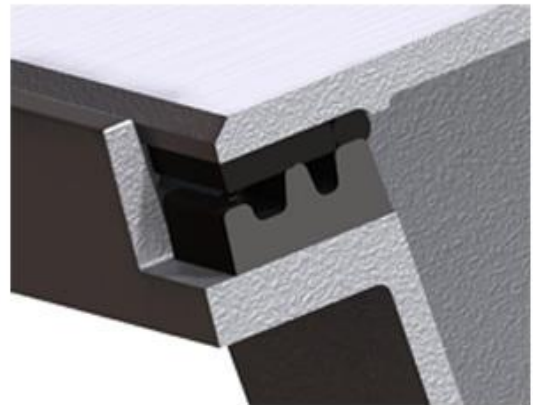
EB0014



**EB0014-1**  
**Phone Box w/ Lid, Wire Cord**  
**Gasket Seal, Door Gasket and**  
**Locking Weatherproof**  
**Southco Lever Latch**



- 1) Finish: Ball-burnished w/ Exterior Surfaces Polished. Lid is 120 grit directional ground.
- 2) Use SouthCO weatherproof latch.
- 3) Incorporates an EPDM rubber and foam rubber cord seal at the bottom lip, to "clamp" and seal the communication wires.

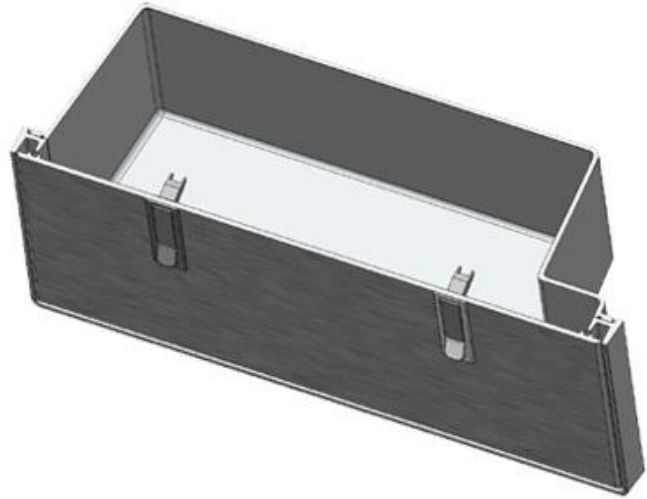
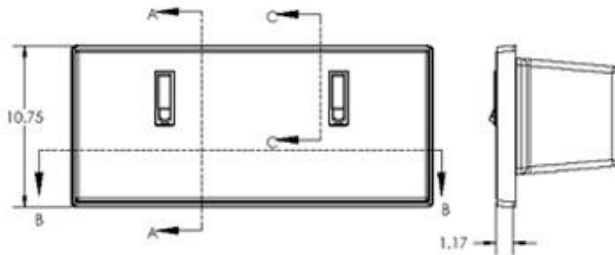
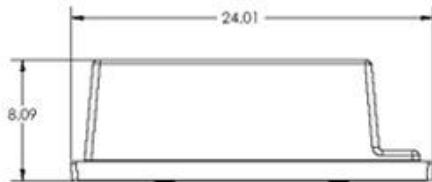


EB0015



### EB0015-1 Tether Control Box w/ Lid, Door Gasket and Southco Lever Latches x2

- 1) Finish: interior is ball-burnished with mounting flange polished. Lid is 120 grit directional ground.
- 2) Uses two Standard SouthCo Lever latches and internal .25" cord gasket.
- 3) Interior is solid (no rear holes).
- 4) Lid has small boss cast in to allow for user attachment of lid support chain or cable (not supplied).

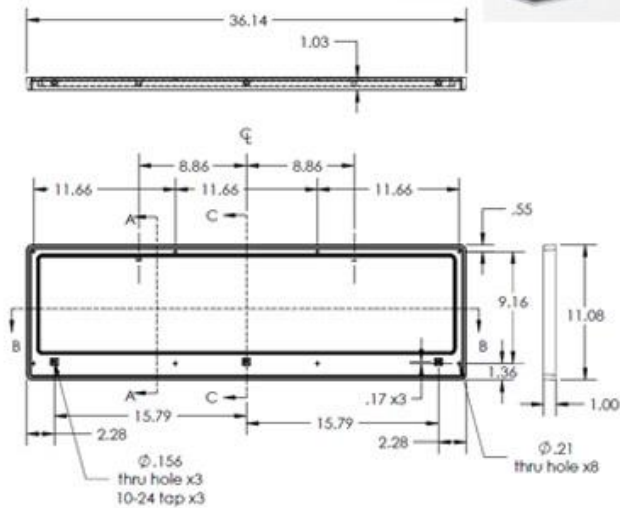


EB0016



## EB0016-1 Access Flange w/ Lid, Door Gasket and Southco Lever Latches x2

- 1) Finish: interior is ball-burnished with mounting flange polished. Lid is 120 grit directional ground.
- 2) Uses two Standard SouthCo Lever latches and internal .25" cord gasket.
- 3) Lid has small bosses cast in to allow for user attachment of lid support chain or cable (not supplied).

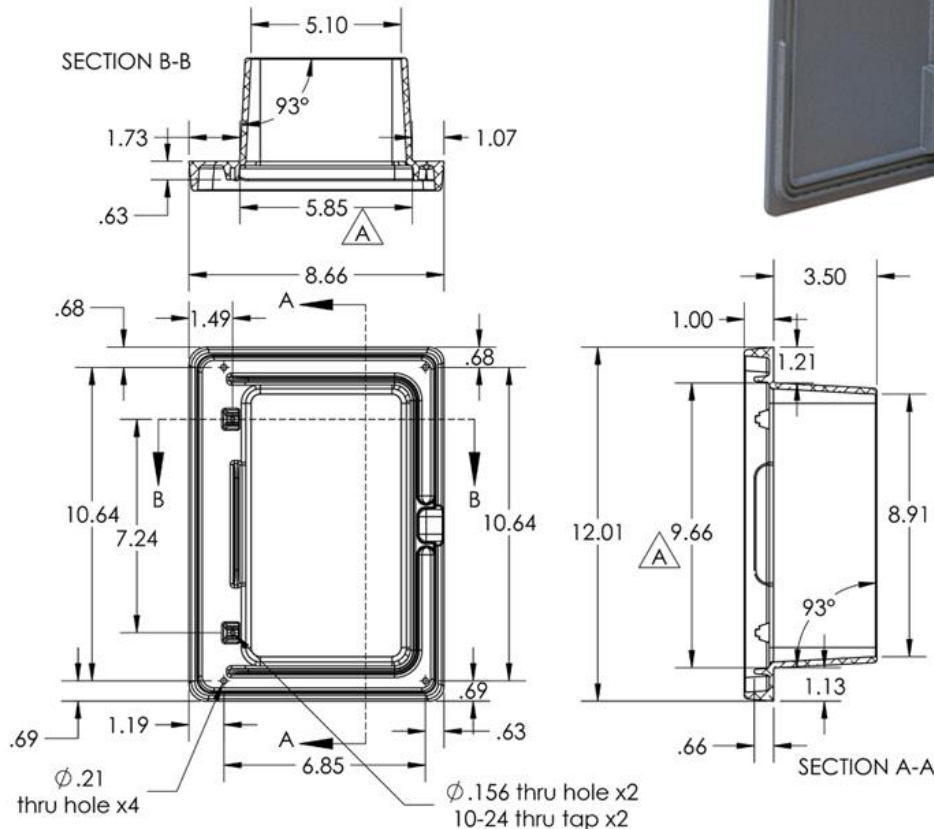


EB0017

# EB0017-1

## Open Phone Box and Lid

- 1) Finish: Interior is wheel-a-brated. Flange is polished with lid 120 grit directional ground.
- 2) Uses std. concealed hinges and cord gasket.

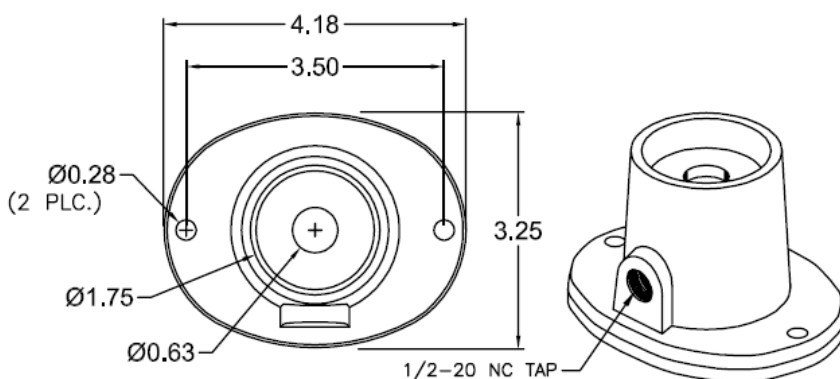


## Fire Apparatus

FA0002

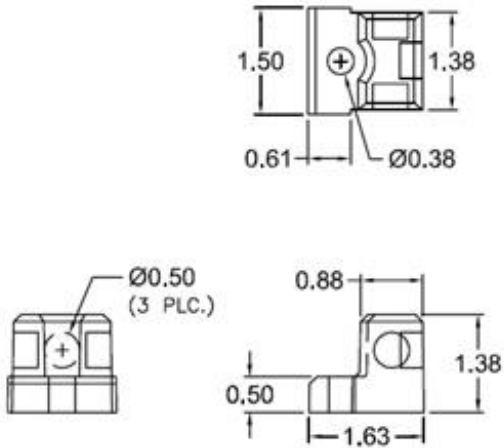
# FA0002 Switch Base

- 1) Finish: Wheel-a-brated.





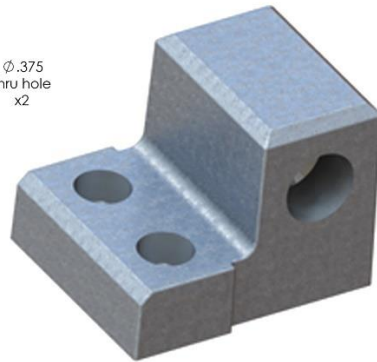
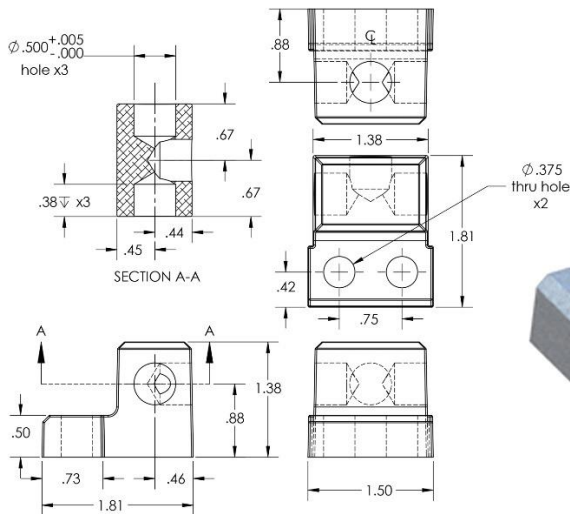
## FA0012



## FA0012 Hose Roller "T" Block

1) Finish: Bead-blasted.

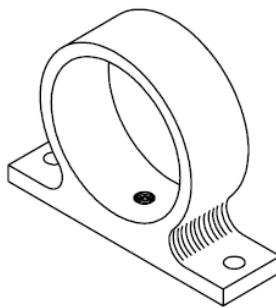
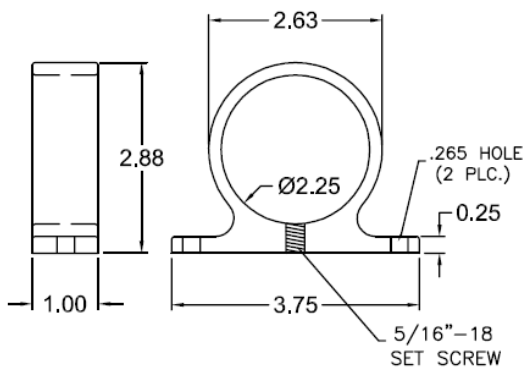
## FA0013



## FA0013-5 Hose Roller "T" Block

1. Finish: ball-burnished.

## FA0018



## FA0018 Pike Pole Tube Bracket

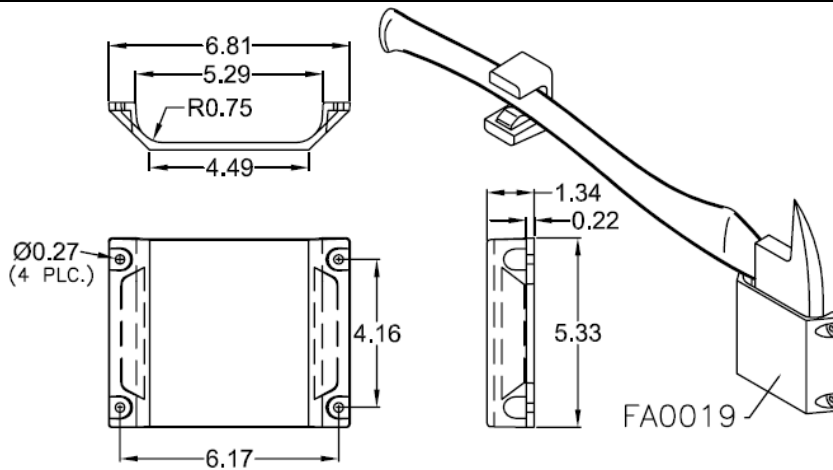
1) Finish: polished or bead-blasted.

## FA0019

# FA0019

## Fire Ax-Head Holder

- 1) Finish: All exterior surfaces are bright polished.
- 2) Use with part #FA0020 for a horizontal pull or with #FA0021 for a vertical pull.

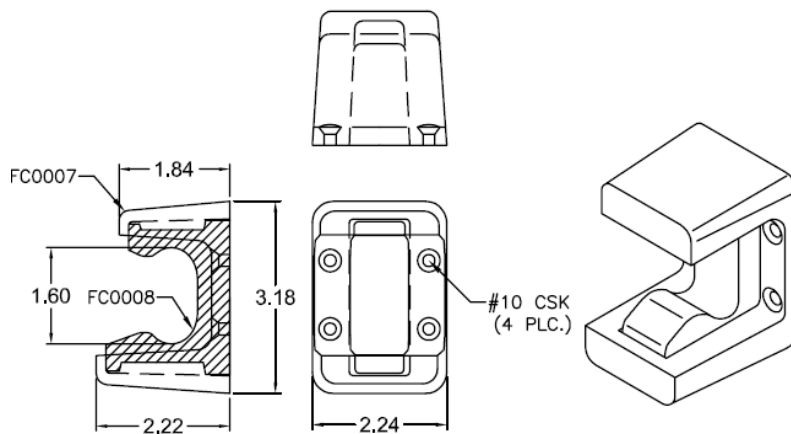


## FA0020

# FA0020

## Fire Ax-Handle Holder

- 1) Finish: All exterior surfaces are bright polished.
- 2) Use with part #FA0019.
- 3) Serves as ax-handle retainer for quick access that also reduces vibration and protects handle.

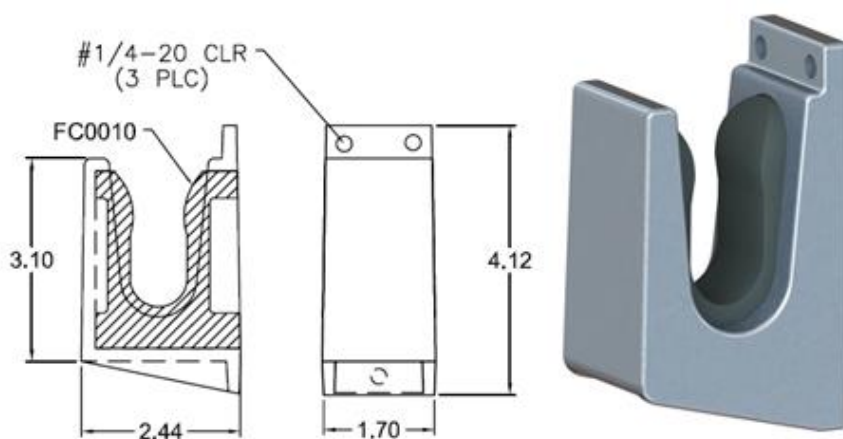


## FA0021

# FA0021

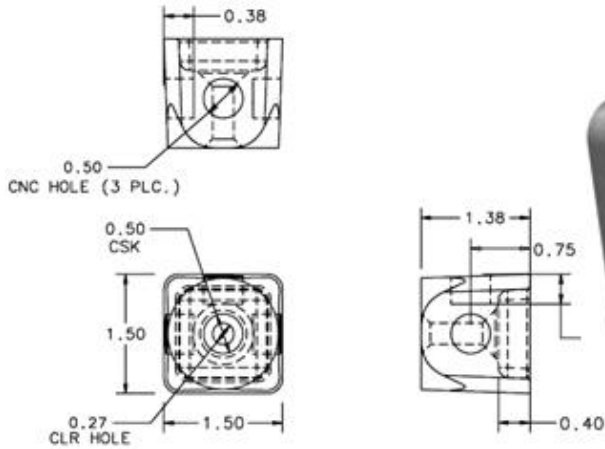
## Fire Ax-Handle Holder

- 1) Finish: All exterior surfaces are bright polished.
- 2) Use with part #FA0019.
- 3) Serves as ax-handle retainer for quick access that also reduces vibration and protects handle.



**FA0026**

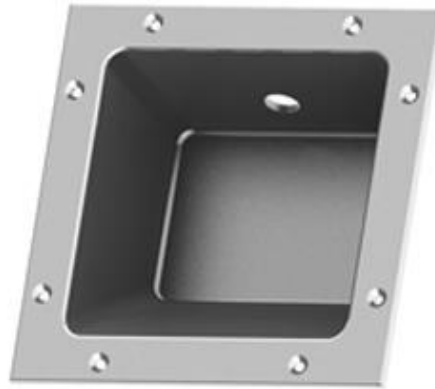
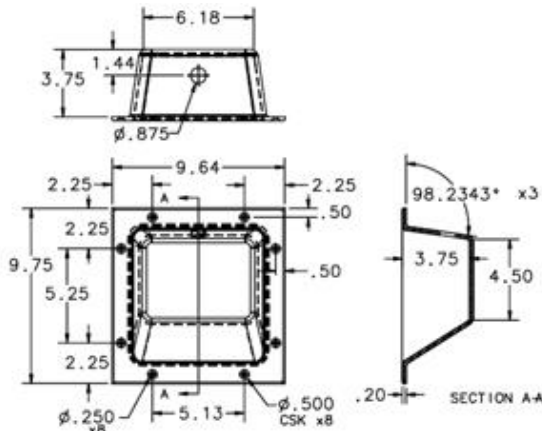
**FA0026  
Hose Roller "T"  
Block**



1) Finish: Part can be polished, wheel-a-brated, or ball-burnished.

**FA0027**

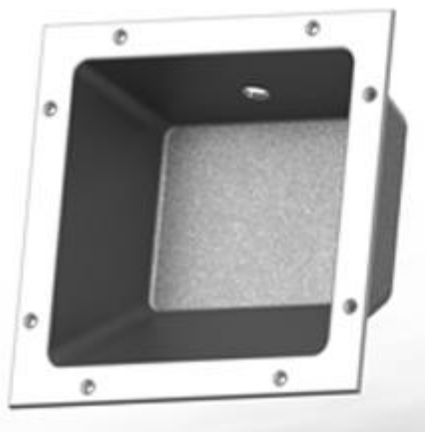
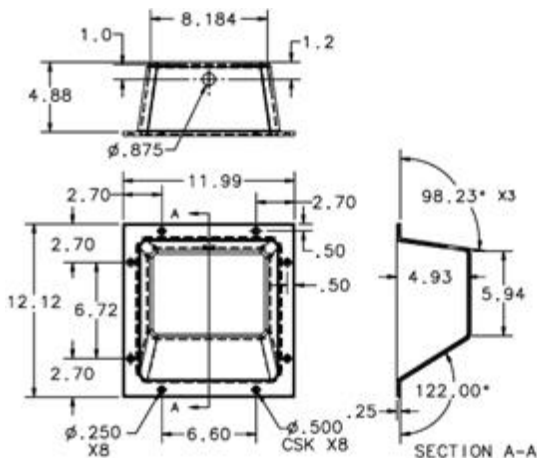
**FA0027  
Light Box**



) Finish: Polished.

**FA0028**

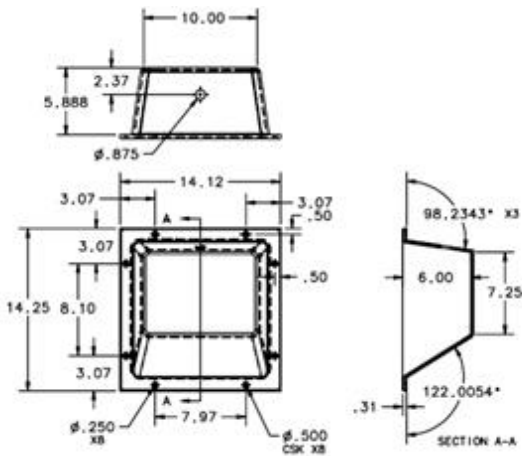
**FA0028  
Light Box**



1) Finish: Polished.



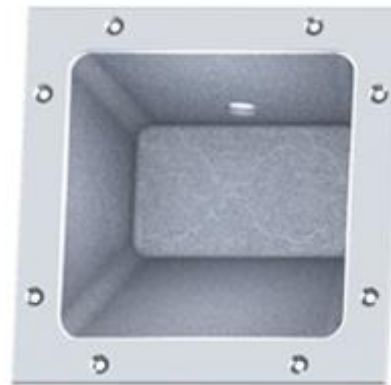
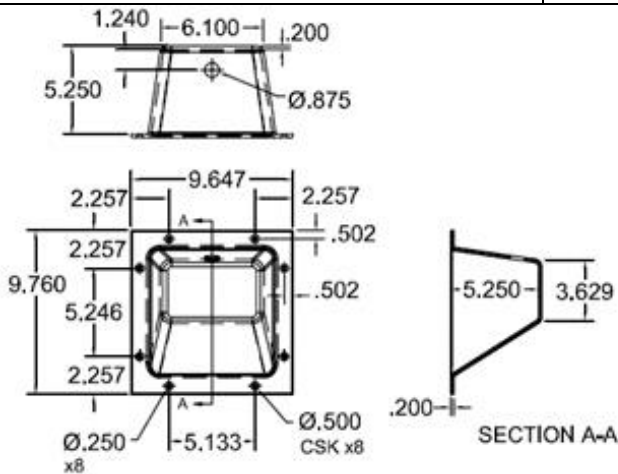
### FA0029



## FA0029 Light Box

1) Finish: Polished

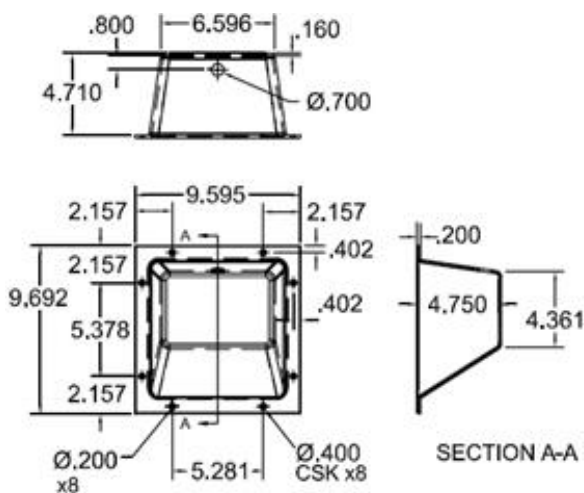
### FA0031



## FA0031 Light Box

1) Finish: Polished

### FA0032



## FA0032 Light Box

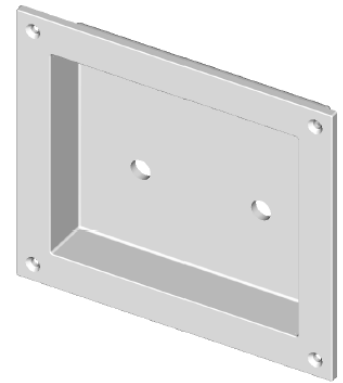
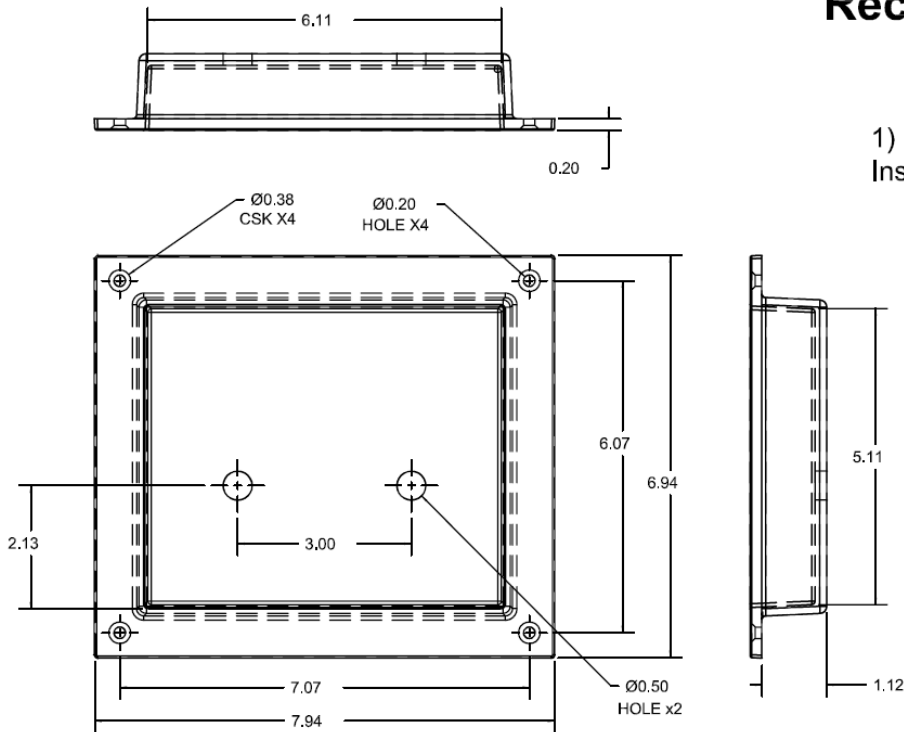
1) Finish: Polished.

**FA0035**

**FA0035**

**Recessed Housing  
w/ 2 Holes**

1) Finish: Flange is polished.  
Inside is ball-burnished.

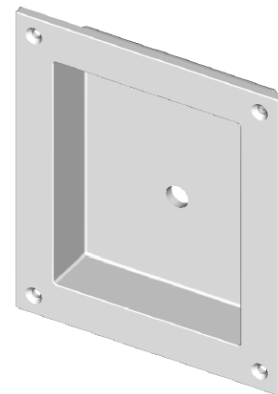
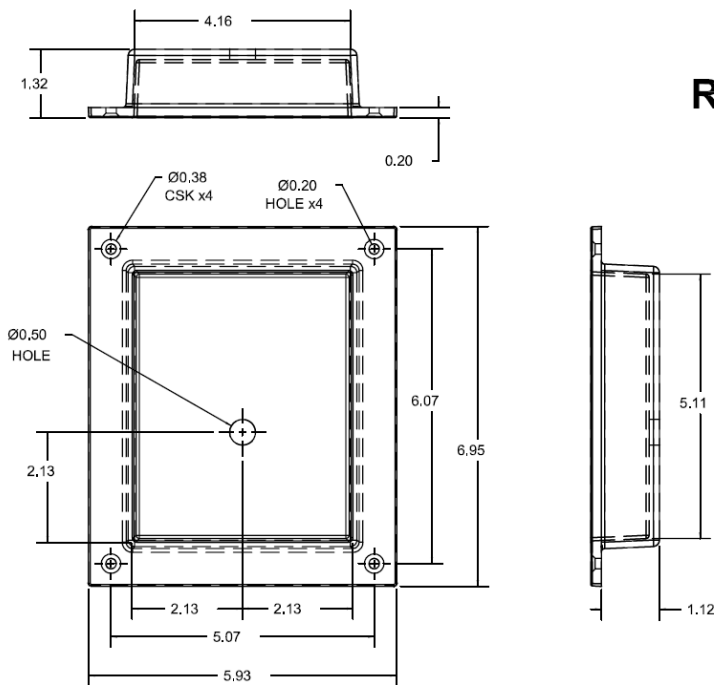


**FA0036**

**FA0036**

**Recessed Housing  
w/ 1 Hole**

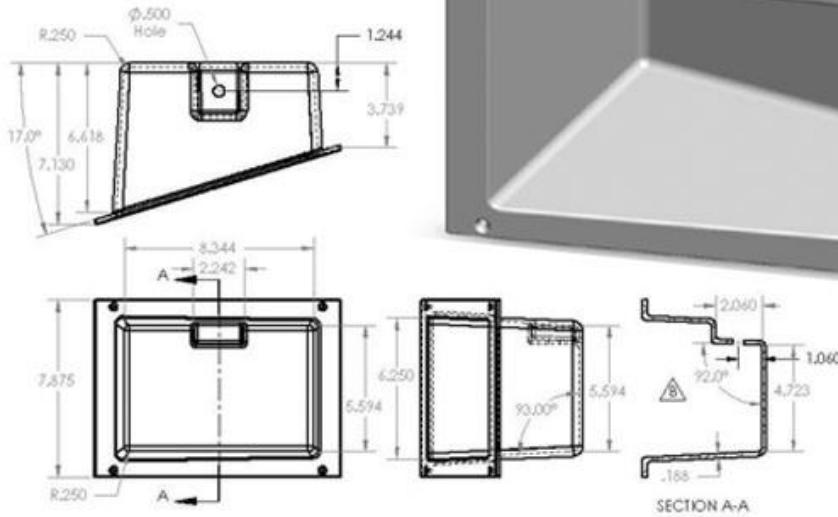
1) Finish: Flange is polished.  
Inside is ball-burnished.



## FA0040

### FA0040 Rightside Light Box Casting

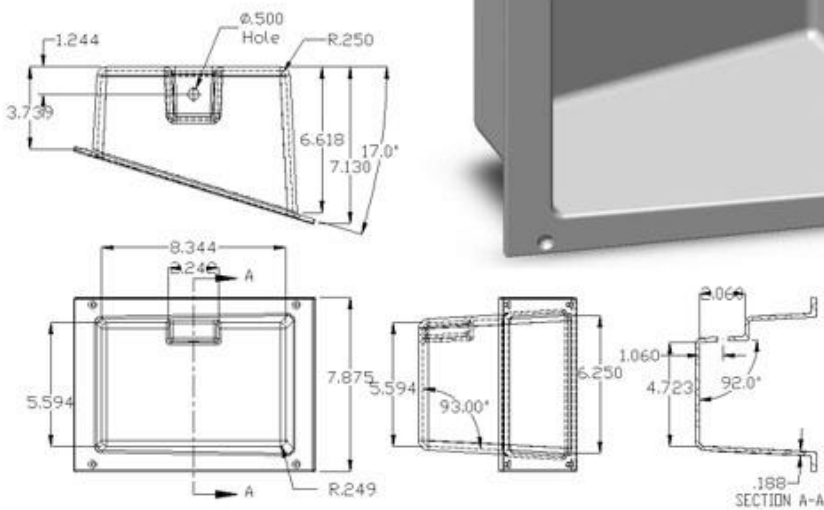
1) Finish: Exterior flange is polished. Interior is wheel-a-brated.



## FA0041

### FA0041 Leftside Light Box Casting

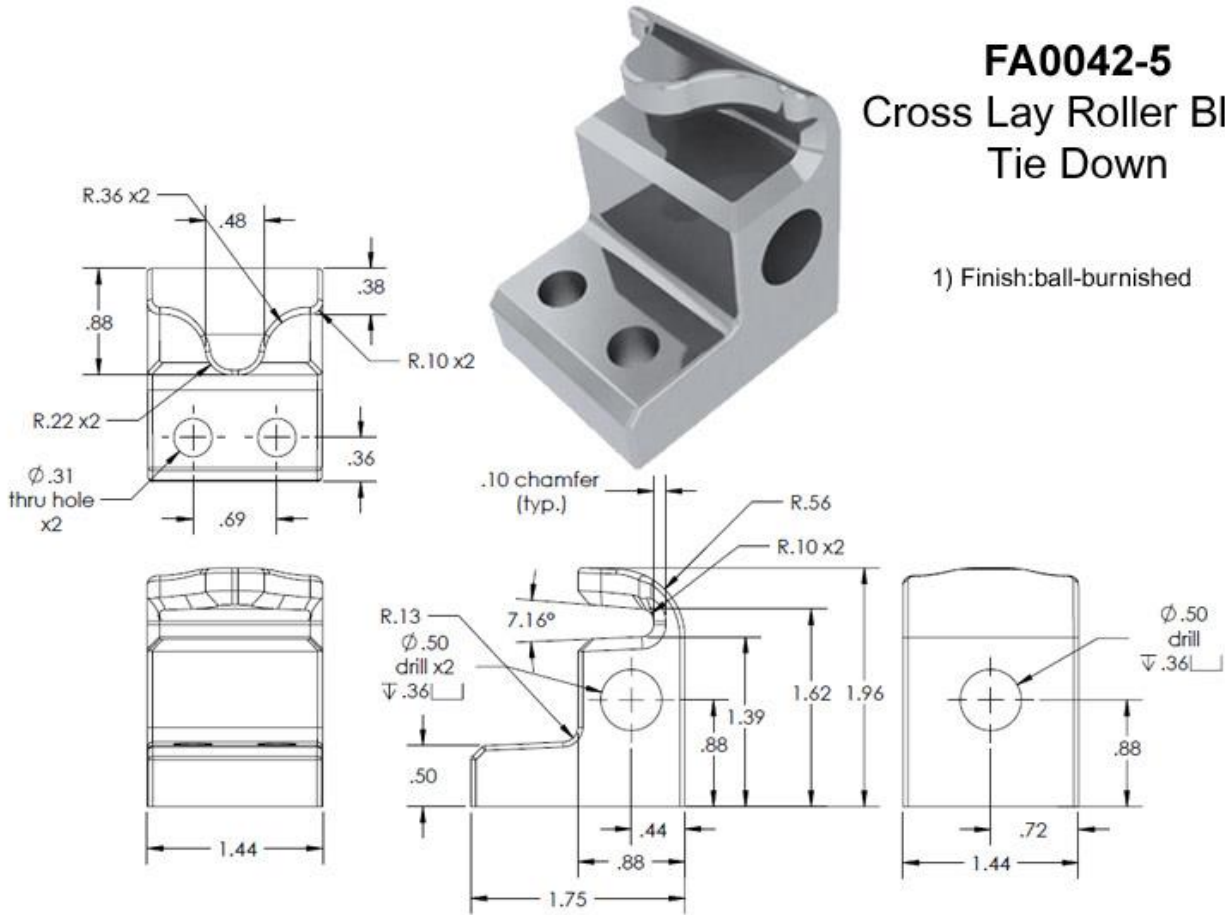
1) Finish: Exterior flange is polished. Interior is wheel-a-brated.



**FA0042**

**FA0042-5**  
**Cross Lay Roller Block**  
**Tie Down**

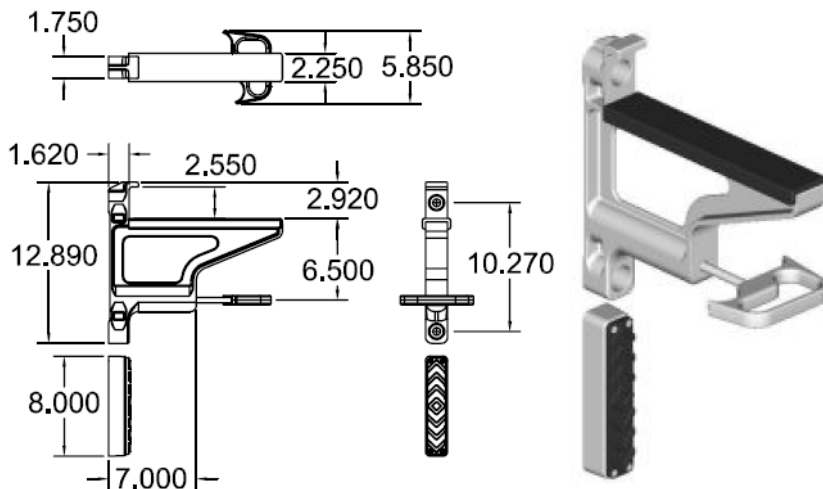
1) Finish: ball-burnished



**FA0030**

**FA0030**  
**Ladder Bracket**  
**w/ Rubber Pads**

1) Finish: Ball-burnished.  
 2) Part sold with upper rubber (FC0016) and lower rubber (FC0015) ladder rests.

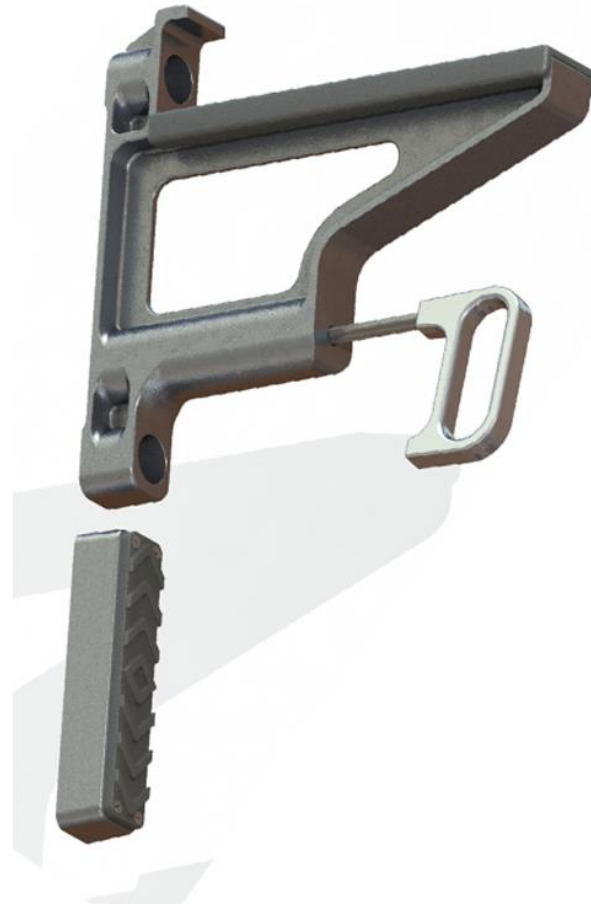
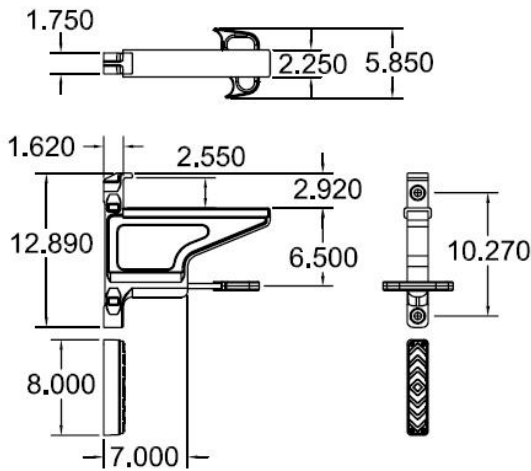


FA0037

# FA0037

## Ladder Bracket w/ Rubber Pads

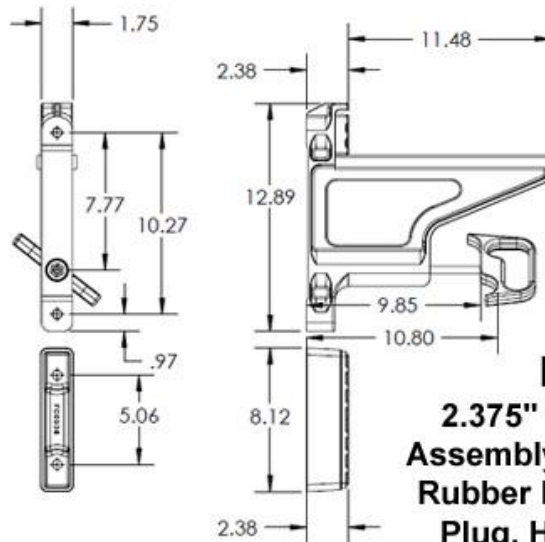
- 1) Finish: Ball-burnished.
- 2) Part sold with upper rubber (FC0016) and lower rubber (FC0015) ladder rests.



FA0043



- 1) Finish: Ball-burnished.
- 2) Complete with Rubber pads.



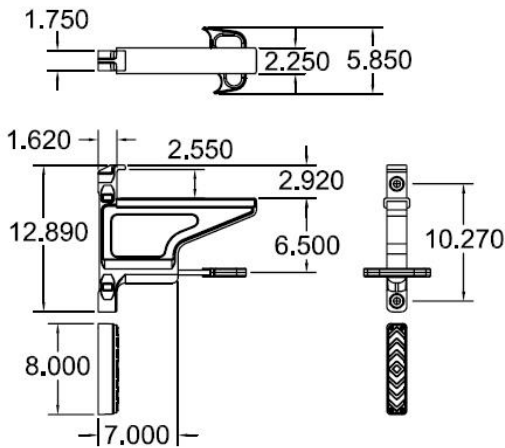
**FA0043**  
**2.375" Ladder Bracket  
Assembly w/ Upper, Lower  
Rubber Pads and Rubber  
Plug, HD0012-1 2-Step  
Handle and SS Long-  
threaded Rod, 2 pc. Design)**

FA0039

# FA0039

## Ladder Bracket w/ Rubber Pads

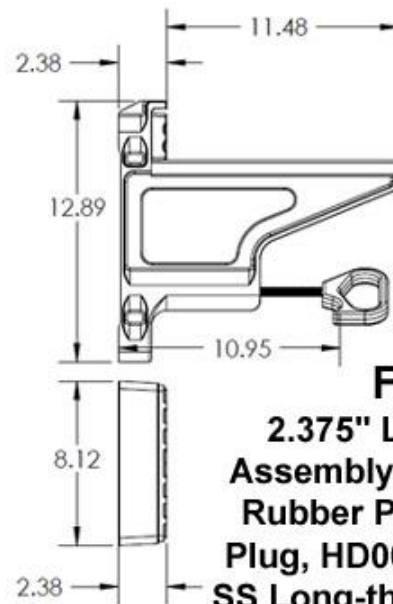
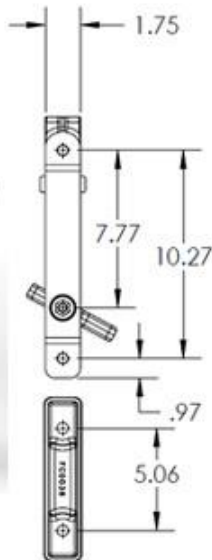
- 1) Finish: Ball-burnished.
- 2) Part sold with upper rubber (FC0016) and lower rubber (FC0015) ladder rests.



# FA0044



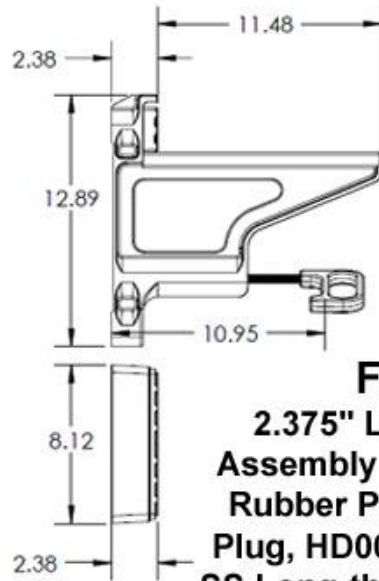
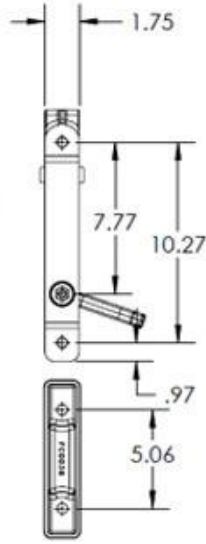
- 1) Finish: Ball-burnished.
- 2) Complete with Rubber pads.



# FA0044

## 2.375" Ladder Bracket Assembly w/ Upper, Lower Rubber Pads and Rubber Plug, HD0009-1 Handle and SS Long-threaded Rod, 2 pc Design

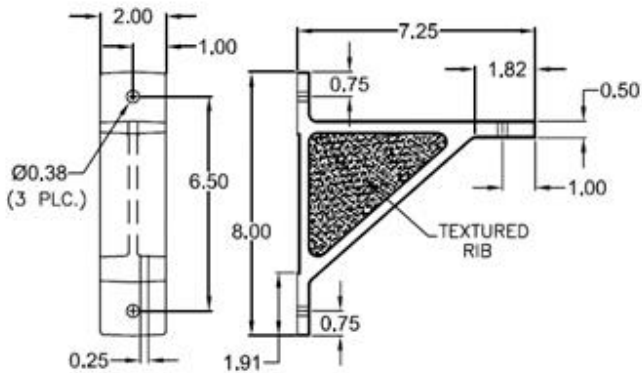
## FA0045



- 1) Finish: Ball-burnished.
- 2) Complete with Rubber pads.

**FA0045**  
**2.375" Ladder Bracket**  
**Assembly w/ Upper, Lower**  
**Rubber Pads and Rubber**  
**Plug, HD0013-1 Handle and**  
**SS Long-threaded Rod, 2 pc.**  
**Design**

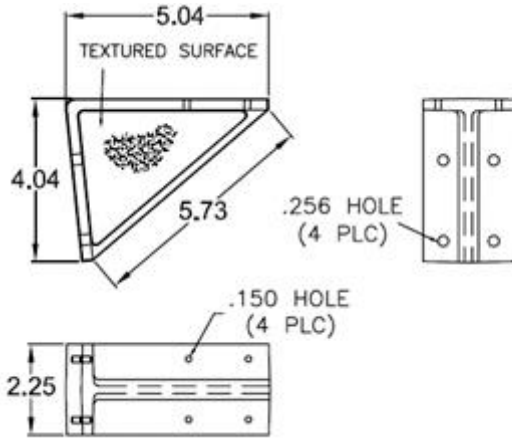
## FA2002



**FA2002**  
**Hose Tray Carrier**  
**Bracket**

- 1) Finish: Bead-blasted.

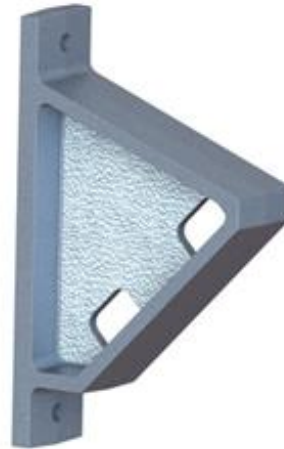
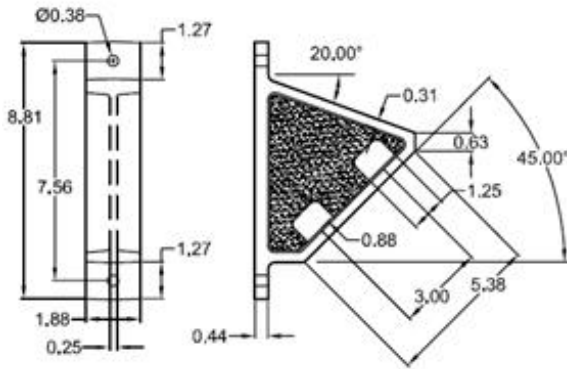
### FA2003



## FA2003 Hose Trough Bracket

1) Finish: Bead-blasted.

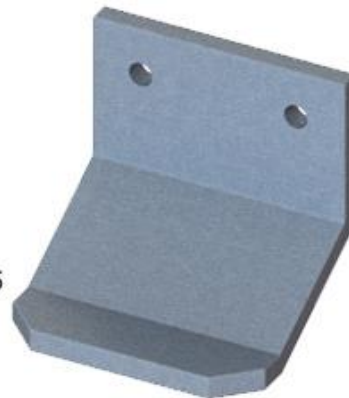
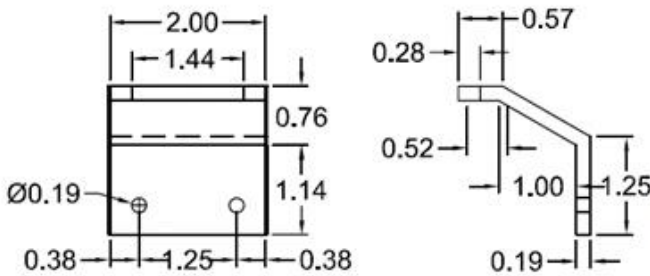
### FA2004



## FA2004 Hose Trough Bracket

1) Finish: Polished or bead-blasted.

### FA2005

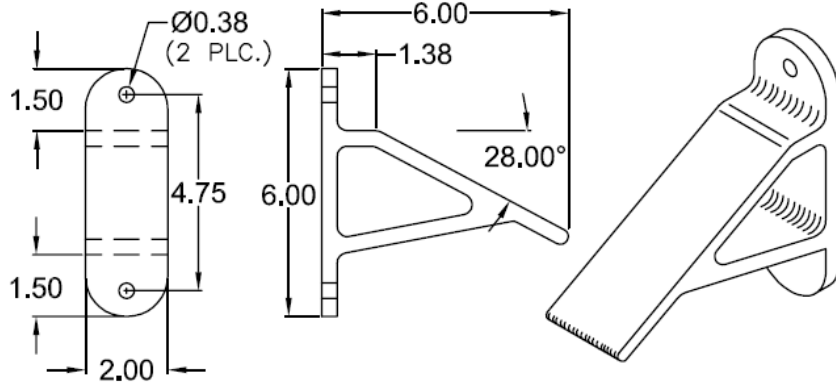


## FA2005 Hose Trough Bracket

1) Finish: Ball-burnished.



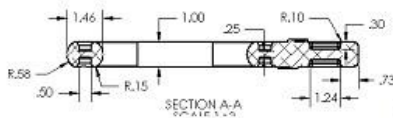
**FA2006**



**FA2006  
Hose Tray Mount  
Bracket**

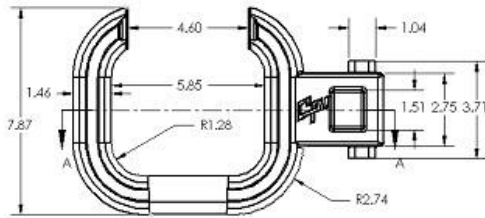
1) Finish: Polished or wheel-a-brated.

**FA2011-5 FA2011-5-A**

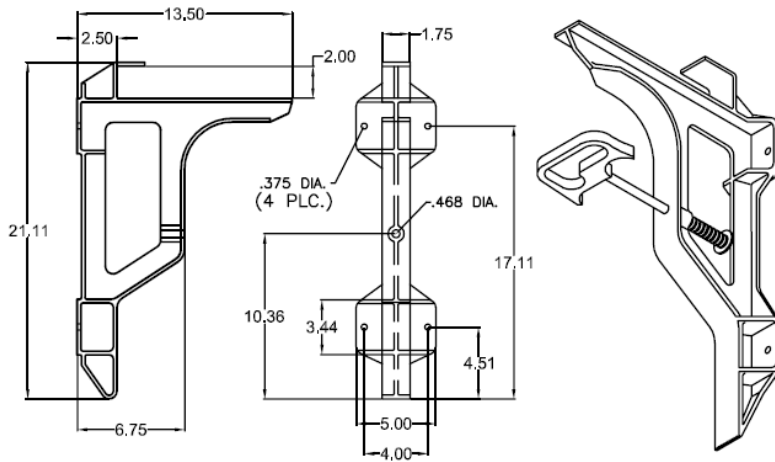


**FA2011-5 & FA2011-5-A  
- Hose Hanger Assembly**

1) Finish: Ball-burnished or chromed  
2) FA2011-5 Right Opening Assembly shown  
3) FA2011-5-A Left Opening Assembly is opposite



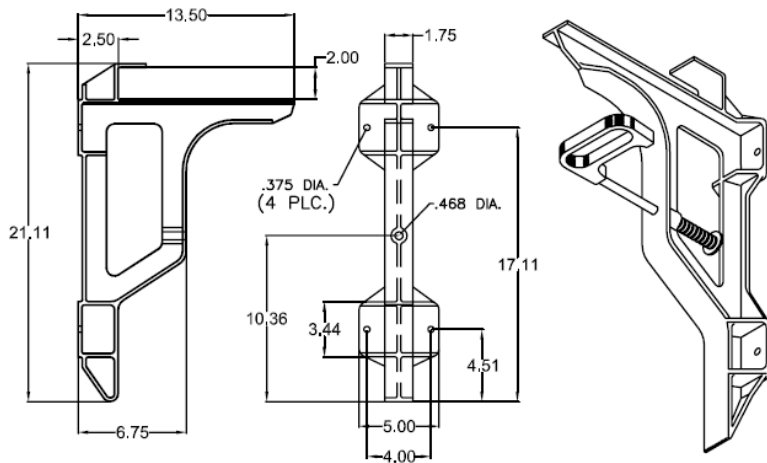
### FA4003



## FA4003 Ladder Bracket 4" Hole Pattern

- 1) Finish: Wheel-a-brated or ball-burnished.
- 2) Product sold with polished handle (HD0011).

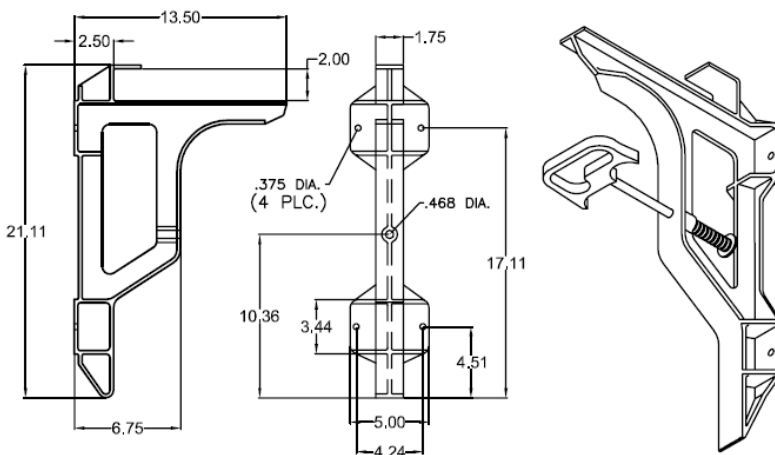
### FA4004



## FA4004 Ladder Bracket 4" Hole Pattern

- 1) Finish: Wheel-a-brated.
- 2) Product sold with polished handle (HD0013).

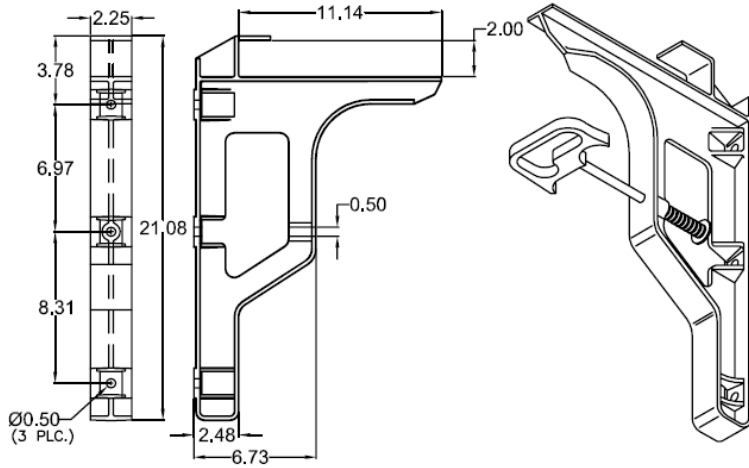
### FA4005



## FA4005 Ladder Bracket 4.24" Hole Pattern

- 1) Finish: Wheel-a-brated.
- 2) Product sold with polished handle (HD0011).

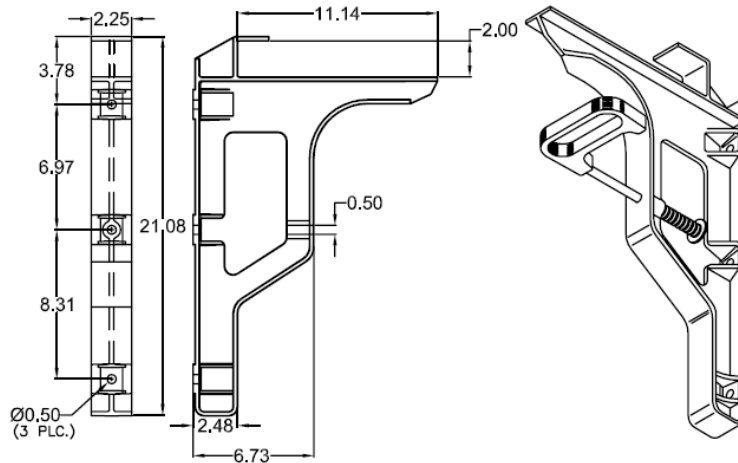
## FA4007



## FA4007 Ladder Bracket

- 1) Finish: Wheel-a-brated or ball-burnished.
- 2) Product sold with polished handle (HD0011).

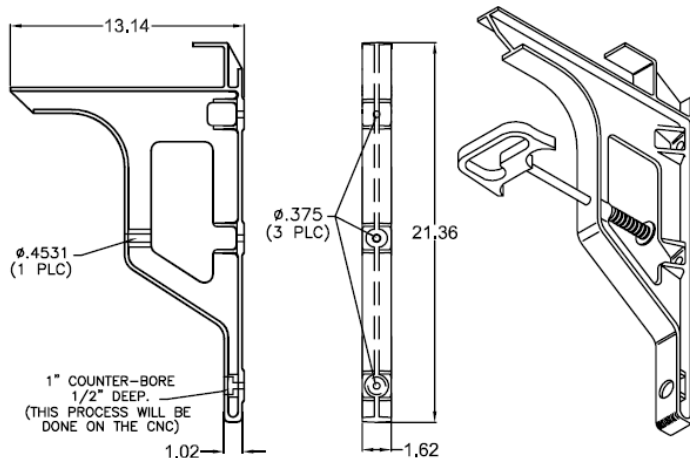
## FA4008



## FA4008 Ladder Bracket

- 1) Finish: Wheel-a-brated.
- 2) Product sold with polished handle (HD0013).

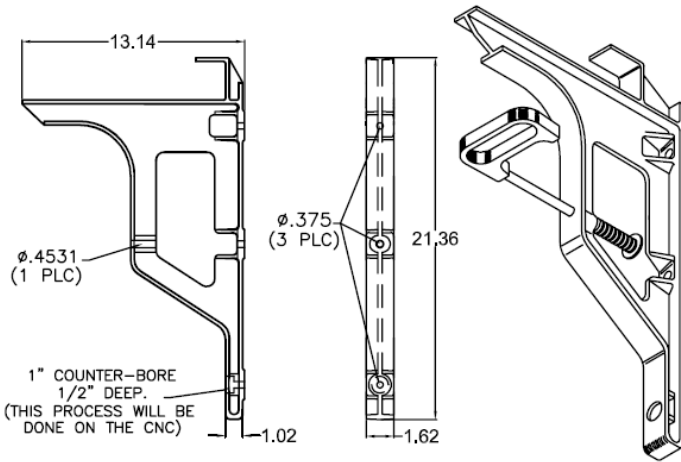
## FA4010



## FA4010 Ladder Bracket

- 1) Finish: Wheel-a-brated or ball-burnished.
- 2) Product sold with polished handle (HD0011).

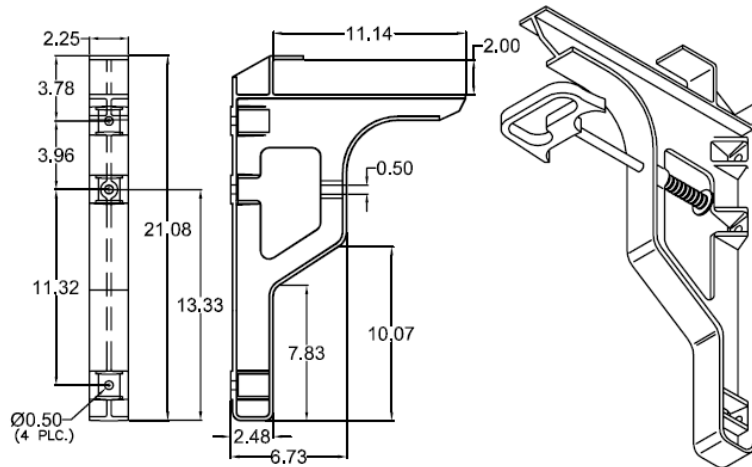
## FA4011



## FA4011 Ladder Bracket

- 1) Finish: Wheel-a-brated.
- 2) Product sold with polished handle (HD0013).

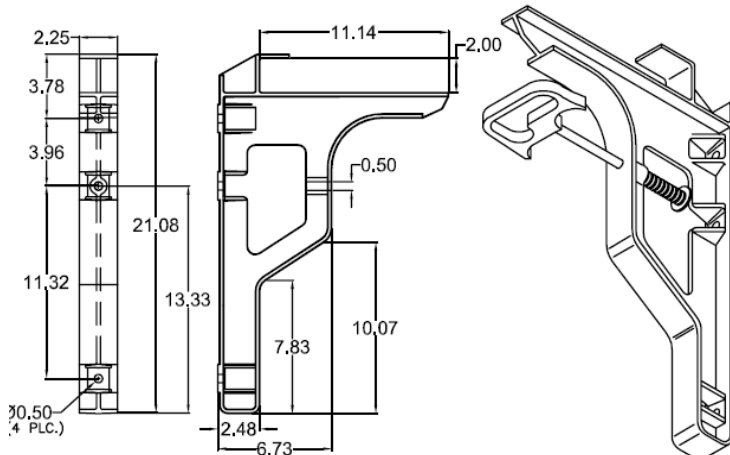
## FA4012



## FA4012 Ladder Bracket

- 1) Finish: Wheel-a-brated.
- 2) Product sold with polished handle (HD0011).

## FA4013



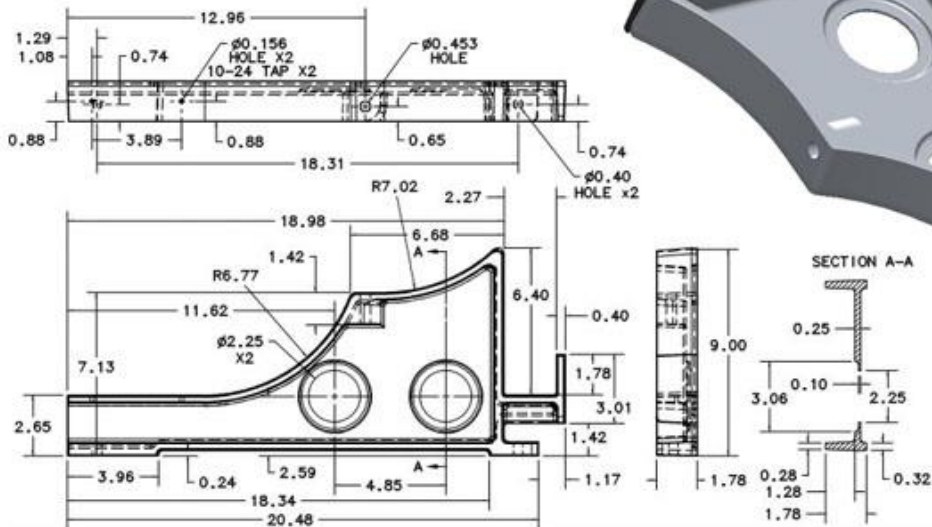
## FA4013 Ladder Bracket

- 1) Finish: Ball-burnished.
- 2) Product sold with polished handle (HD0011) and rod threaded 4" on one end. -A with HD0009 Handle.

## FA4014

### FA4014 Ladder Bracket with Rubber Pads

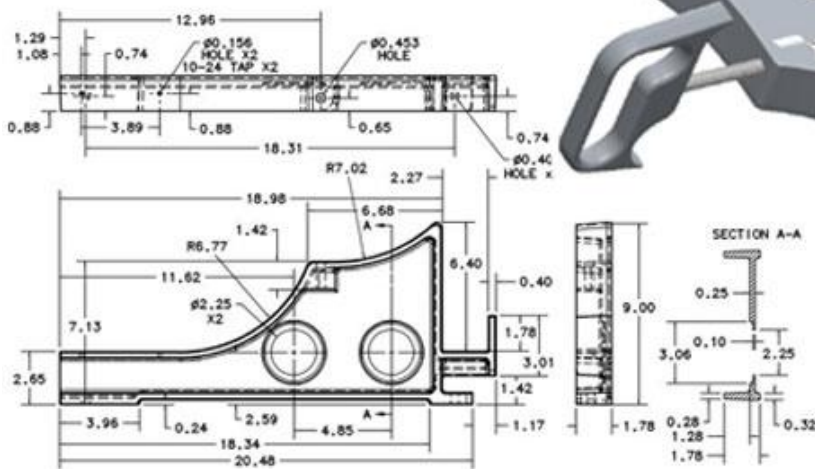
- 1) Finish: Castings is wheel-a-brated.
- 2) Supplied with Rubber Pads.



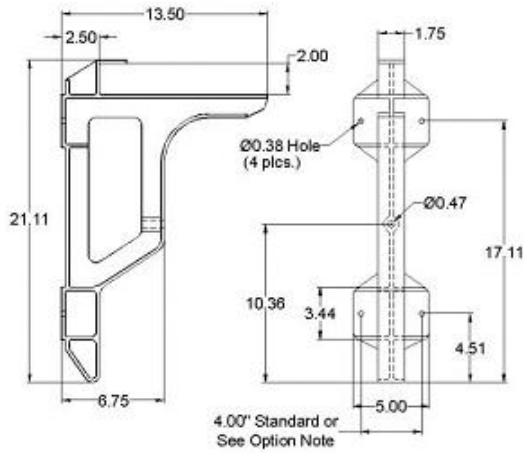
## FA4014-A

### FA4014-A Ladder Bracket with Handle and Rubber Pads

- 1) Finish: Castings is wheel-a-brated. Handle is polished.
- 2) Supplied with HD0011 Handle, AH0007 SS Rod (9.46" long) and Rubber Pads.
- 3) Rubber stripping around holes not included.



## FA4015



## FA4015 Ladder Bracket w/ Handle (HD0011) & Plastic Pads

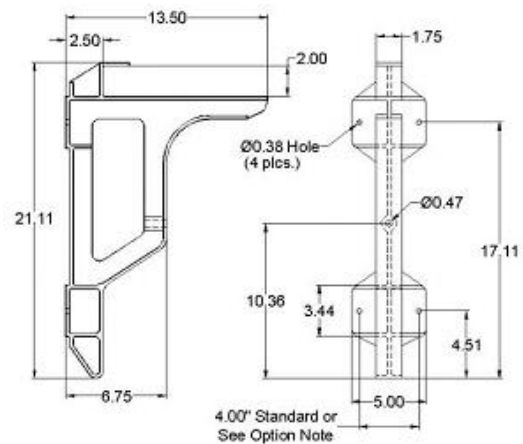


- 1) Finish: Casting is wheel-a-brated. Handle is polished.
- 2) Supplied with HD0011 Handle, AH5001 Rod Assembly, Plastic Pads, and AH0045 screws

## FA4015-A

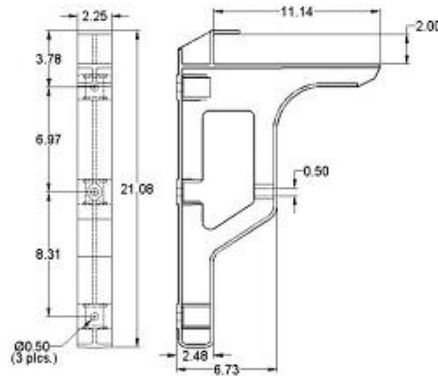


## FA4015-A Ladder Bracket w/ Handle (HD0013) & Plastic Pads



- 1) Finish: Casting is wheel-a-brated. Handle is polished.
- 2) Supplied with HD0013 Handle, AH5001 Rod Assembly, Plastic Pads, and AH0045 screws

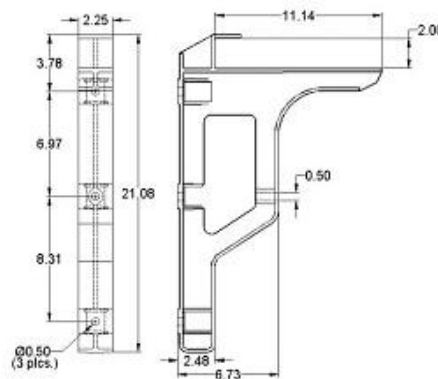
## FA4016



## FA4016 Ladder Bracket, Single Uni-Strut Mountw/ Handle (HD0011) & Plastic Pads

- 1) Finish: Casting is wheel-a-brated. Handle is polished.
- 2) Supplied with HD0011 Handle, AH5001 Rod Assembly, Plastic Pads, and AH0045 screws

## FA4016-A



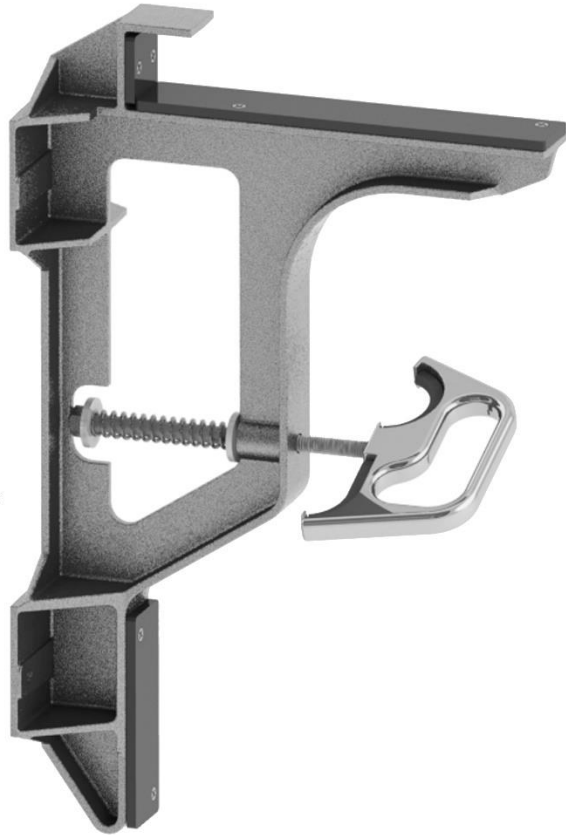
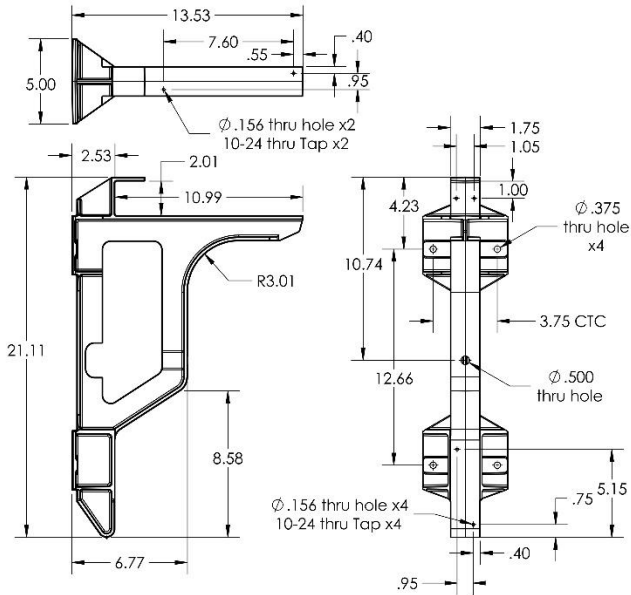
## FA4016-A Ladder Bracket, Single Uni-Strut Mount w/ Handle (HD0013) & Plastic Pads

- 1) Finish: Casting is wheel-a-brated. Handle is polished.
- 2) Supplied with HD0013 Handle, AH5001 Rod Assembly, Plastic Pads, and AH0045 screws

**FA4018**

**FA4018**  
**Ladder Bracket with**  
**HD4001 Handle and**  
**plastic pads**

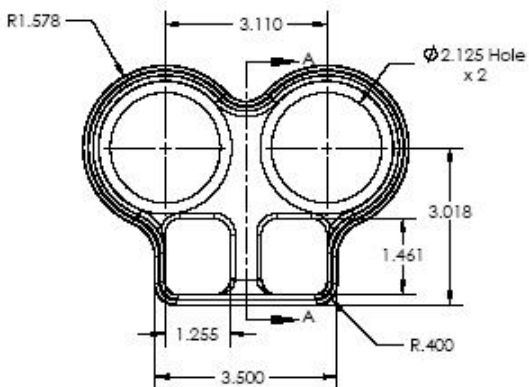
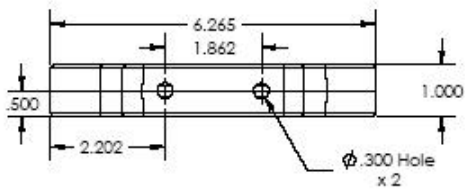
1) Finish wheel-a-brated bracket and polished handle



**FA5001**

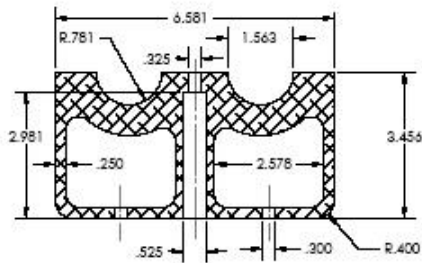
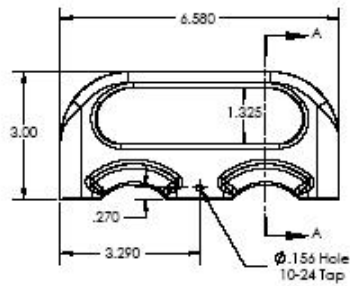
**FA5001**  
**Enclosed Dual Pike Pole Holder**  
**Assembly w/ Rubber Trim-Lock**

1) Finish: Ball-burnished or Powder Coated





## FA5002

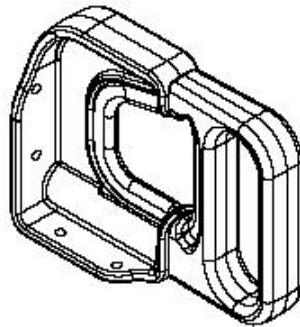
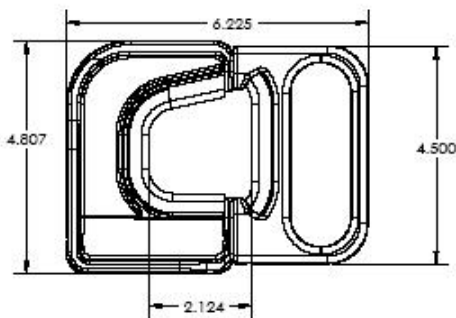
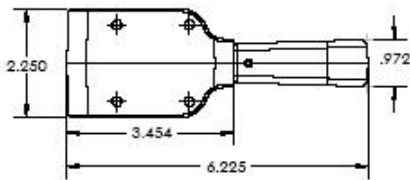


## FA5002 Handle & Base Dual Pike Pole Holder Assembly (Spring Loaded, w/ Rubber Trim-Lock)

- 1) Finish: Ball-burnished w/ exterior flange polished and lid face 120 grit ground.
- 2) Angle is 22°
- 3) 2.50" & 1.75" diameter cutouts



## FA5003

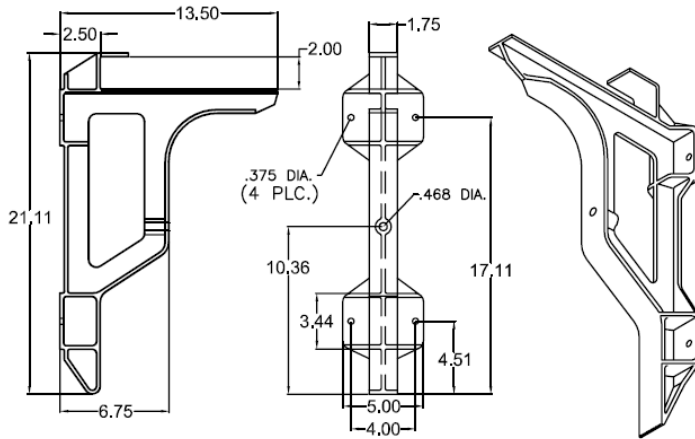


## FA5003 Attic Ladder Bracket w/ Handle (Spring Loaded, w/ Rubber Trim-Lock) for Alco-Lite AL-300 Ladder

- 1) Finish: Ball-burnished, powder coated, or polished exterior.
- 2) Ladder bracket for Alco-Lite AL-300 attic ladder.



### FC4002

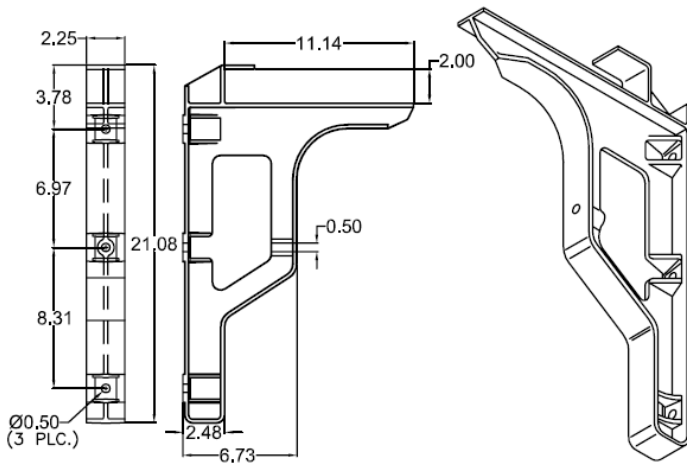


## FC4002

### Ladder Bracket w/ 4.00" Mounting Holes

1) Finish: Wheel-a-brated.

### FC4003

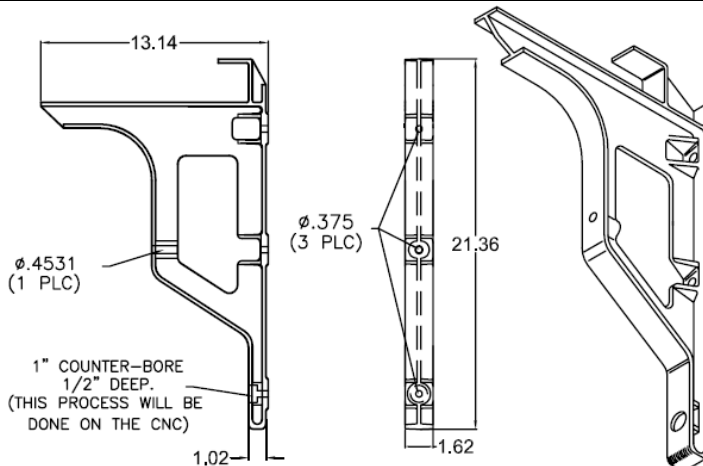


## FC4003

### Ladder Bracket Single Uni-Strut Mount

1) Finish: Wheel-a-brated.

### FC4004

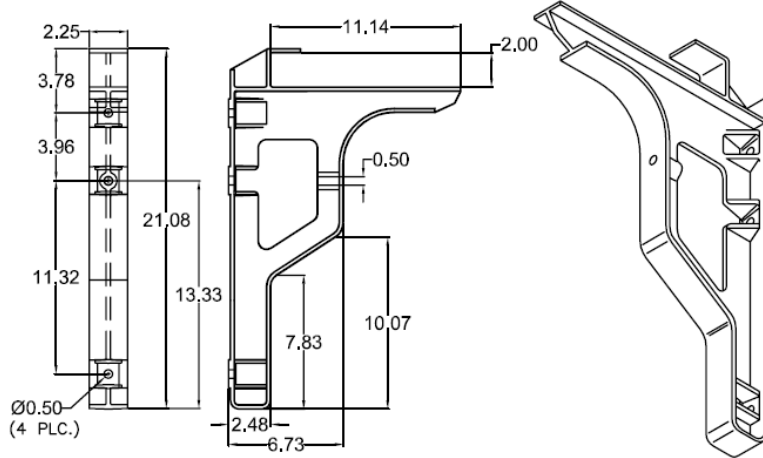


## FC4004

### Ladder Bracket Single Uni-Strut Mount

1) Finish: Ball-burnished.

## FC4005

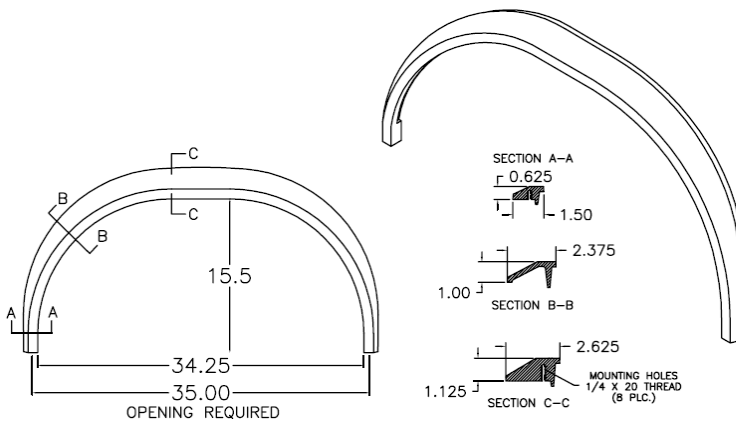


## FC4005 Ladder Bracket Single Uni-Strut Mount

1) Finish: Ball-burnished.

## Fenderettes

## FD1002

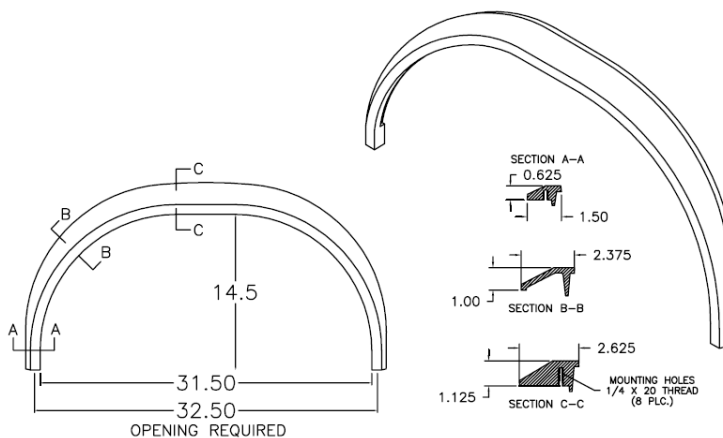


## FD1002

### Fenderette

1) Finish: all exterior surfaces are polished with concealed mounting hardware.

## FD1004



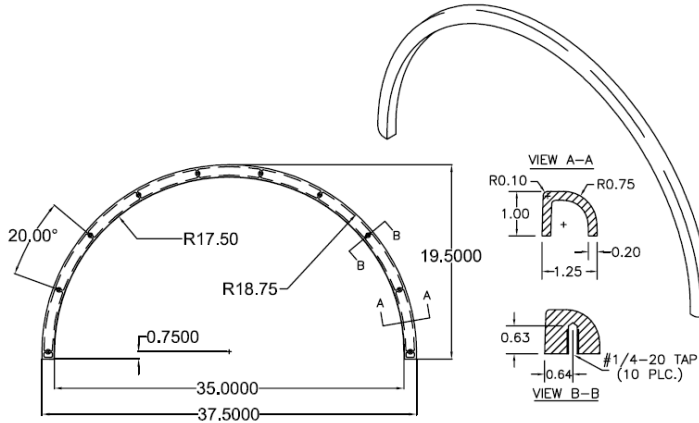
## FD1004

### Fenderette

1) Finish: all exterior surfaces are polished with concealed mounting hardware.

# FD1005

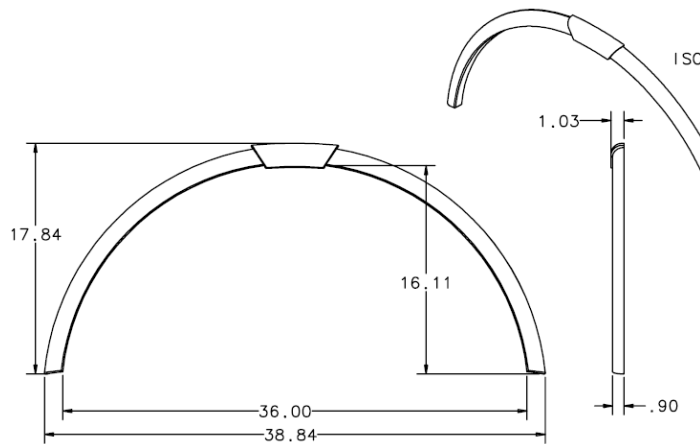
## FD1005 Fenderette 18 3/4" Radius



1) Finish: all exterior surfaces are polished with concealed mounting hardware.

# FD1006

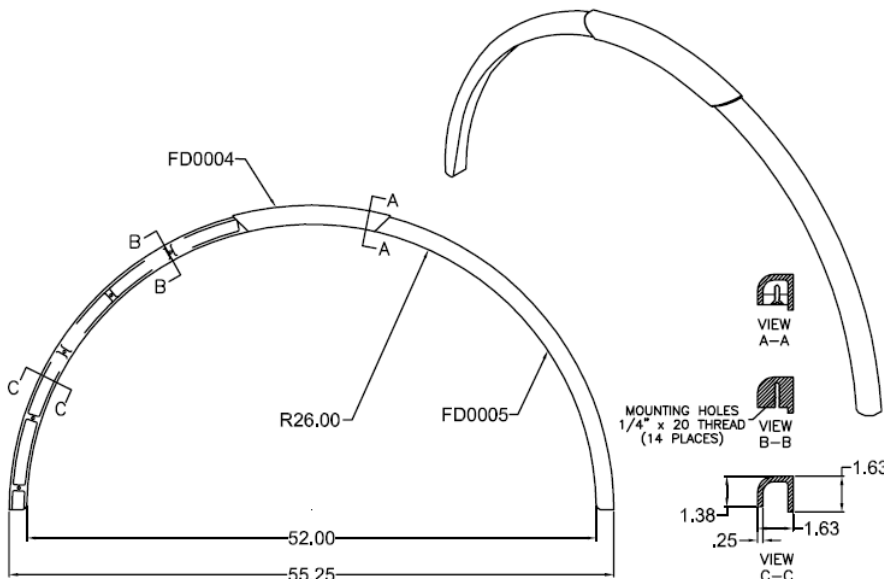
## FD1006 3 Piece Fenderette 16 1/8" Radius



1) Finish: all exterior surfaces are polished with concealed mounting hardware.  
2) Halves are joined together at the crest section with 1/4x20 flat-head screws and retaining tabs (furnished).  
3) Units are shipped unassembled.

# FD1007

## FD1007 3 Piece Fenderette 26" Radius



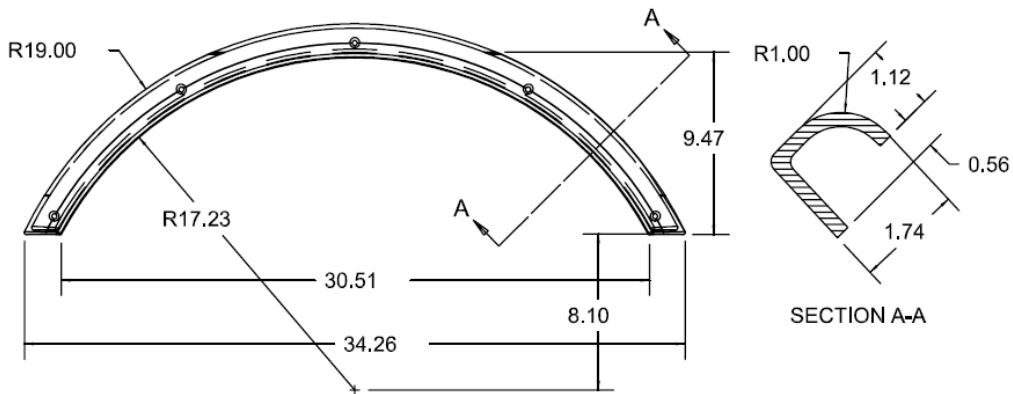
1) Finish: all exterior surfaces are polished with concealed mounting hardware.  
2) Halves are joined together at the crest section with 1/4x20 flat-head screws and retaining tabs (furnished).  
3) Units are shipped unassembled.

**FD1008**



**FD1008**  
**Fenderette**  
**17 1/4" Radius**

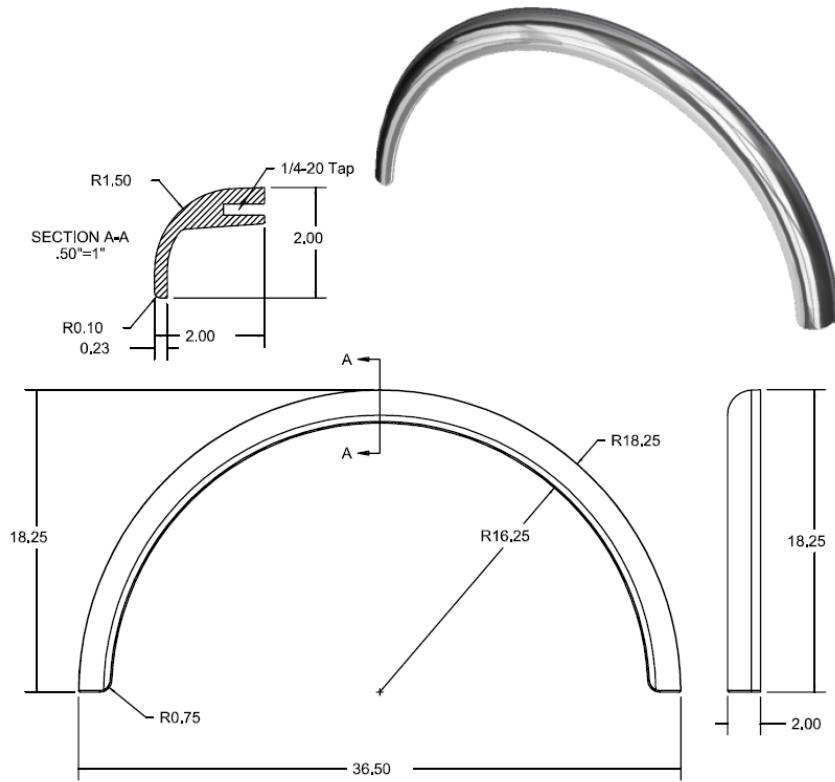
- 1) Finish: ball-burnished.
- 2) Rear notch for 1/4" thick side wall rub rail.



# FD1009

## FD1009 Fenderette 16 1/4" Radius

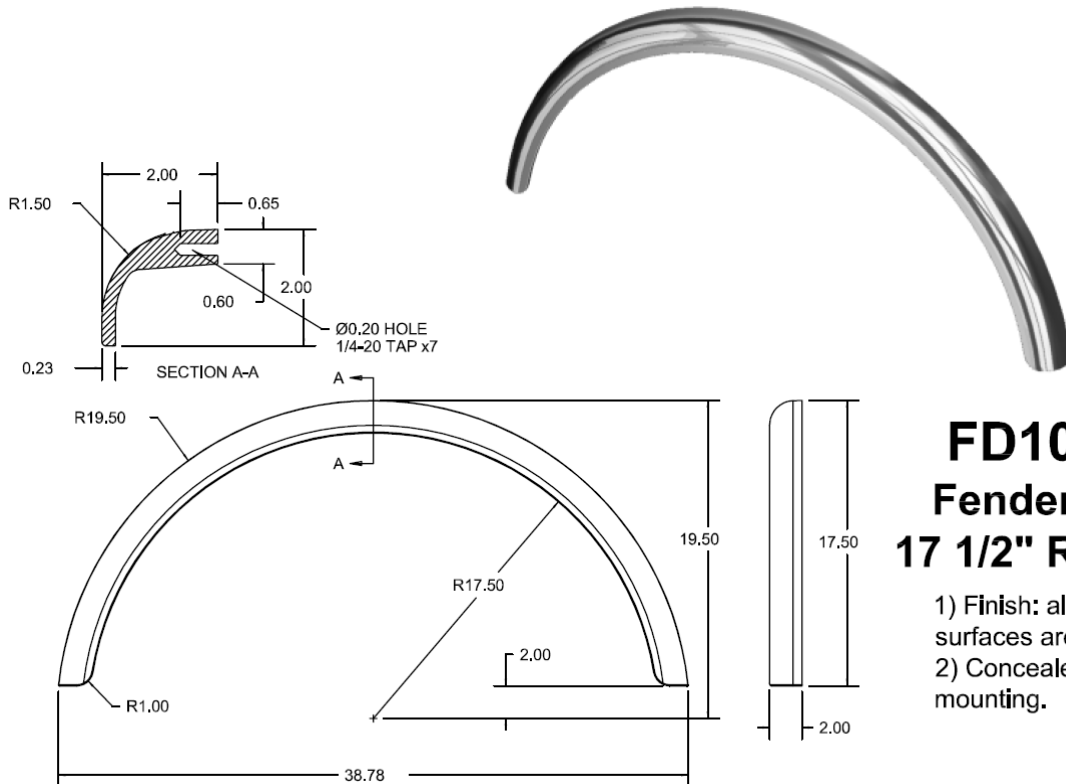
1) Finish: all exterior surfaces are polished with concealed mounting hardware.



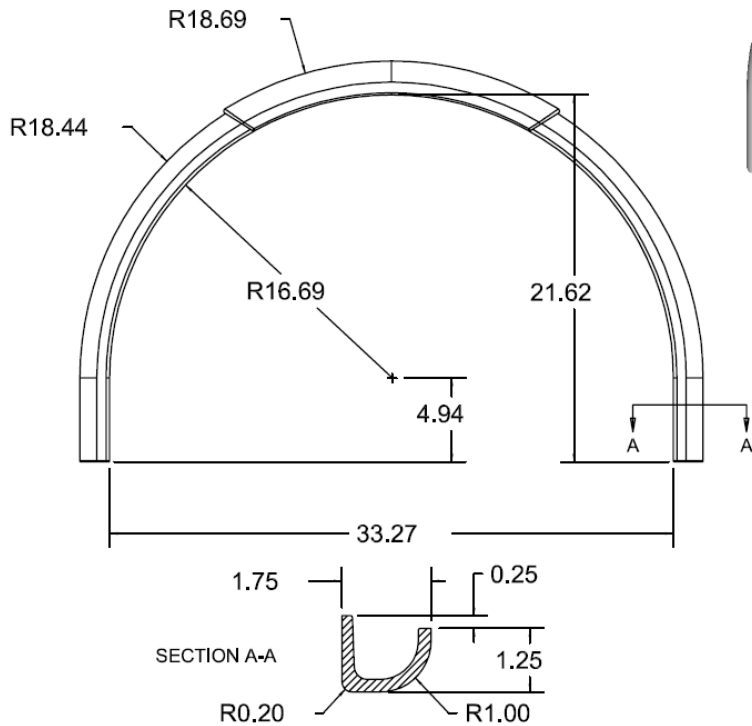
# FD1010

## FD1010 Fenderette 17 1/2" Radius

1) Finish: all exterior surfaces are polished.  
2) Concealed mounting.



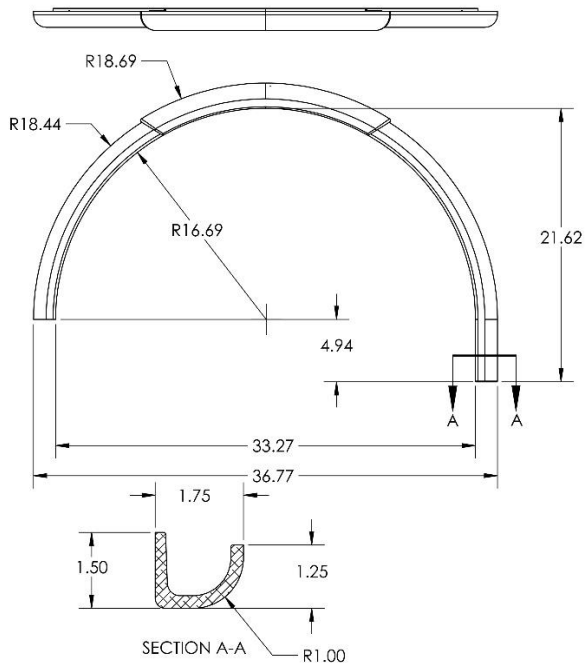
## FD1011



## FD1011 3 pc. Fenderette 16 5/8" Radius

- 1) Finish: all exterior surfaces are polished.
- 2) Concealed mounting.

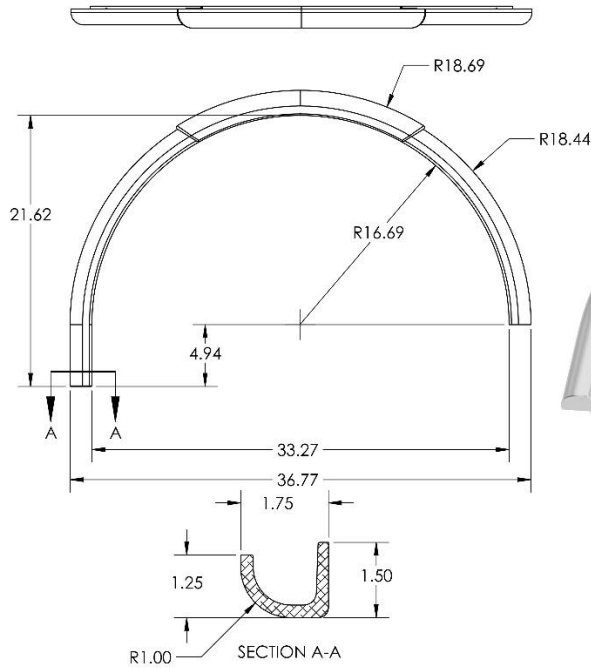
## FD1012



## FD1012 3 pc. Fenderette 16 5/8" Radius

- 1) Finish: all exterior surfaces are polished.
- 2) Concealed mounting.

## FD1013



## FD1013

### 3 pc. Fenderette 16 5/8" Radius

- 1) Finish: all exterior surfaces are polished.
- 2) Concealed mounting.

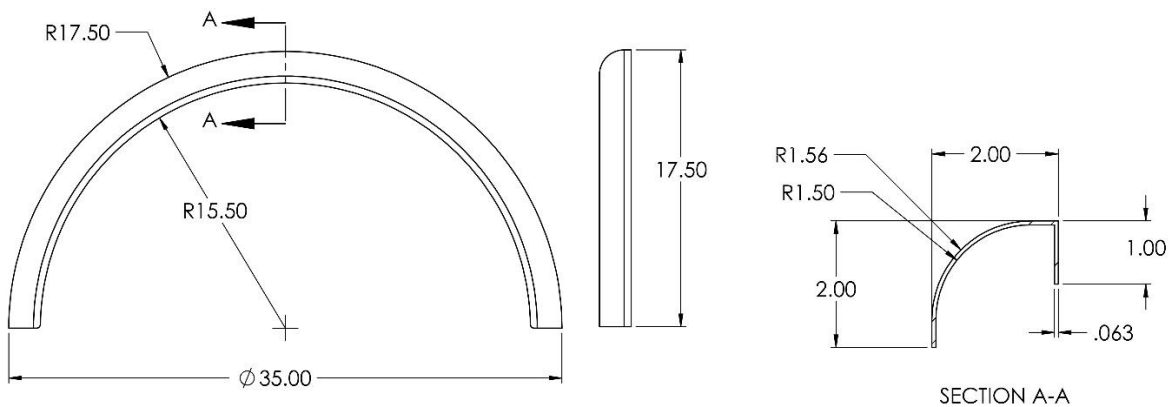
## FD1014



## FD1014

### Fenderette, 1 Piece, 15.50" ID Radius

1. Material: 304 stainless steel (16 gauge).
2. Finish: (-1) Polished exterior.





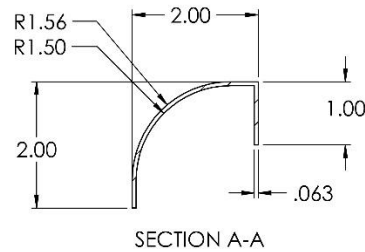
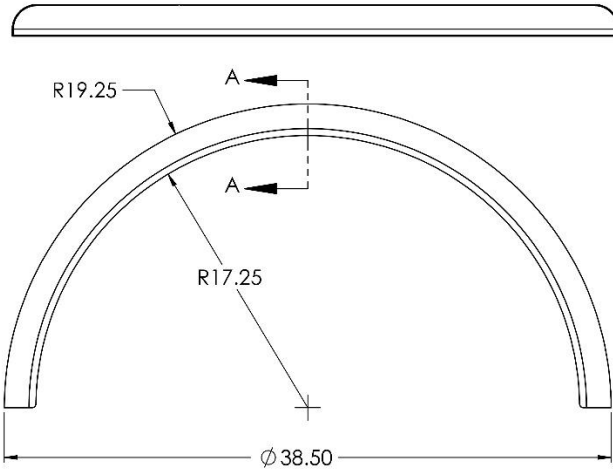
## FD1015



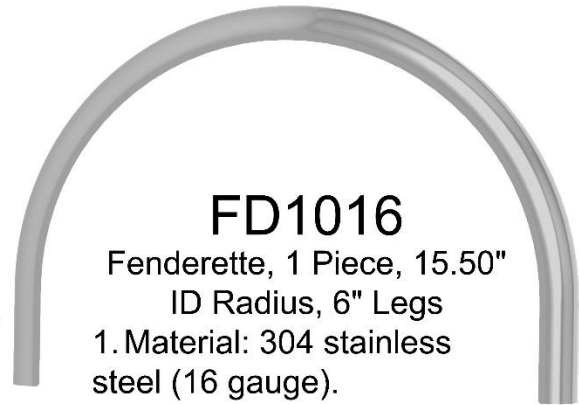
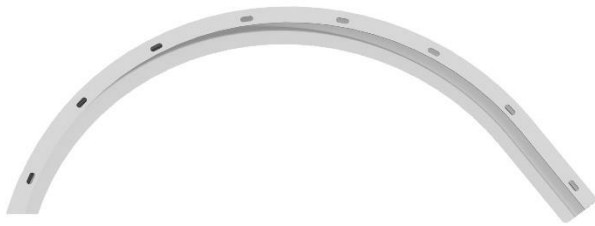
## FD1015

Fenderette, 1 Piece, 17.25"  
ID Radius

1. Material: 304 stainless steel (16 gauge).
2. Finish: (-1) Polished exterior.



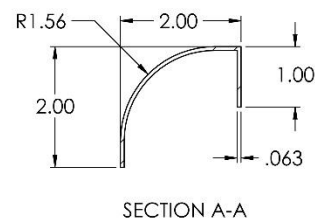
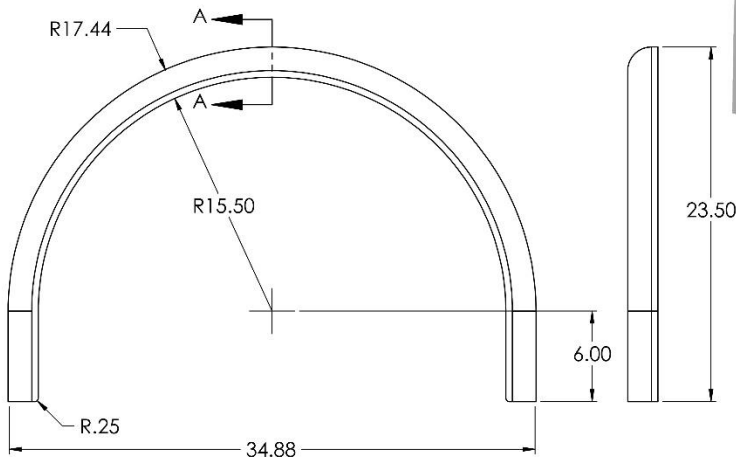
## FD1016



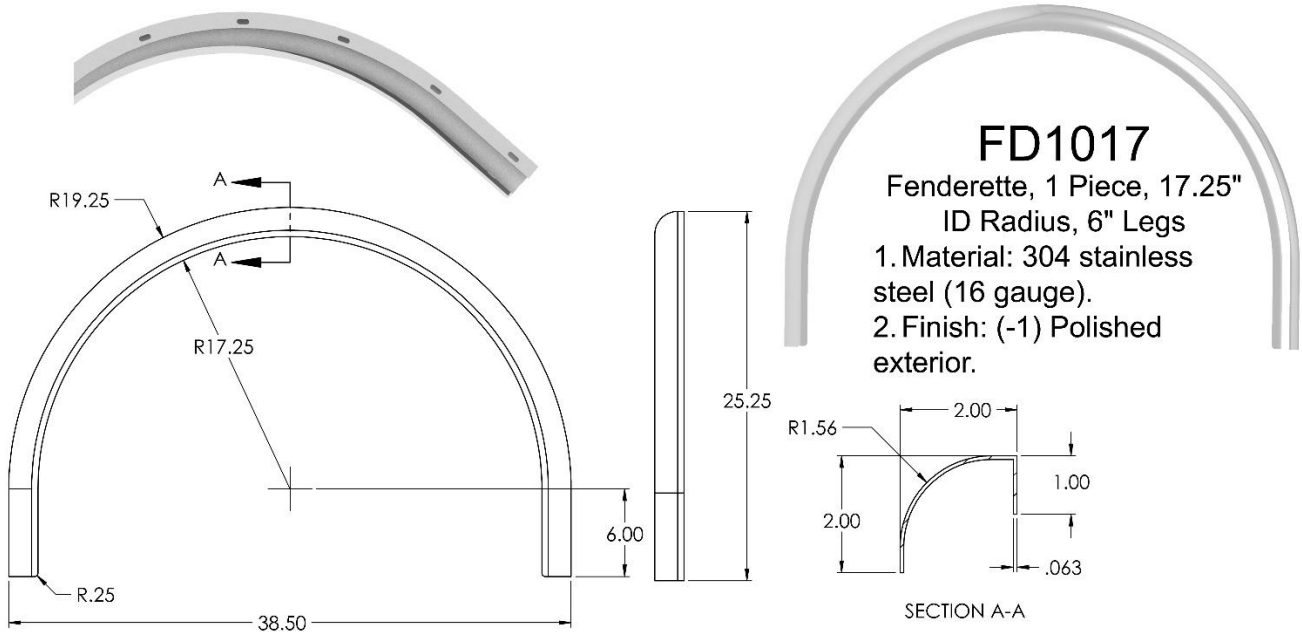
## FD1016

Fenderette, 1 Piece, 15.50"  
ID Radius, 6" Legs

1. Material: 304 stainless steel (16 gauge).
2. Finish: (-1) Polished exterior.

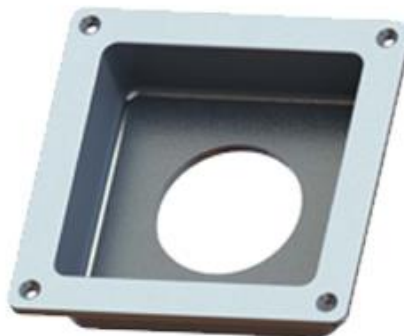
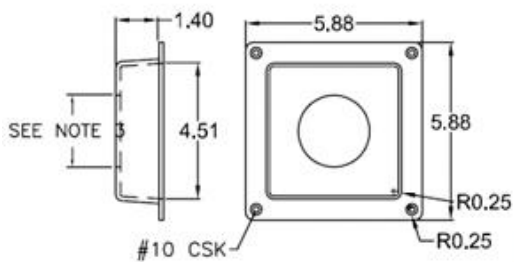


## FD1017



## Fuel Filler Guards

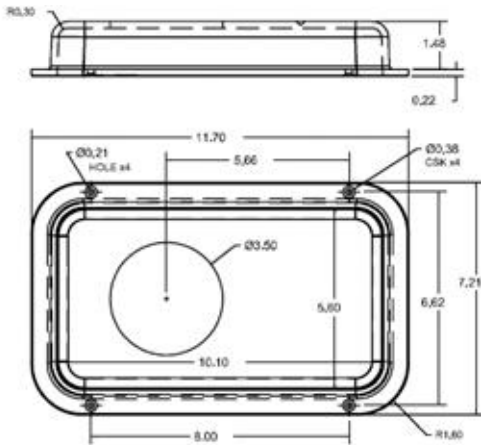
### FG0001



### FG0001 Gas Fill Guard 0° Angle

- 1) Finish: Flange is polished. Inside is bead-blasted.
- 2) Angle: 0°
- 3) Customer please specify when ordering: 2 1/4", 2 1/2", 2 5/8" hole diameter size.

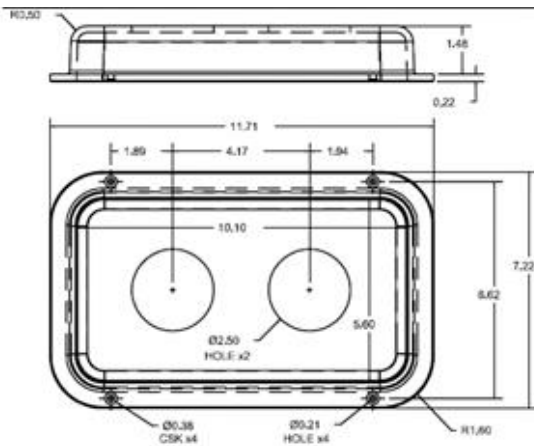
### FG0002-A



### FG0002-A Water Inlet Panel Recessed Box

- 1) Finish: Ball-burnished.
- 2) Angle: 0°
- 3) Single 3 1/2" hole.

### FG0002-B



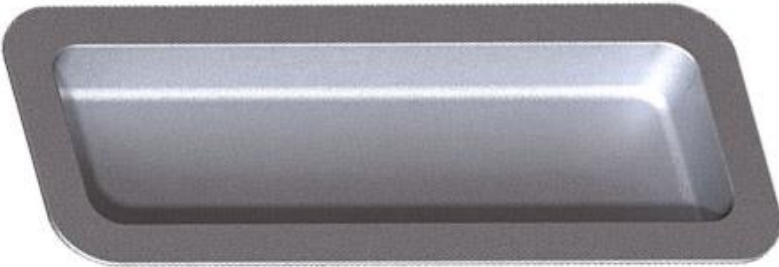
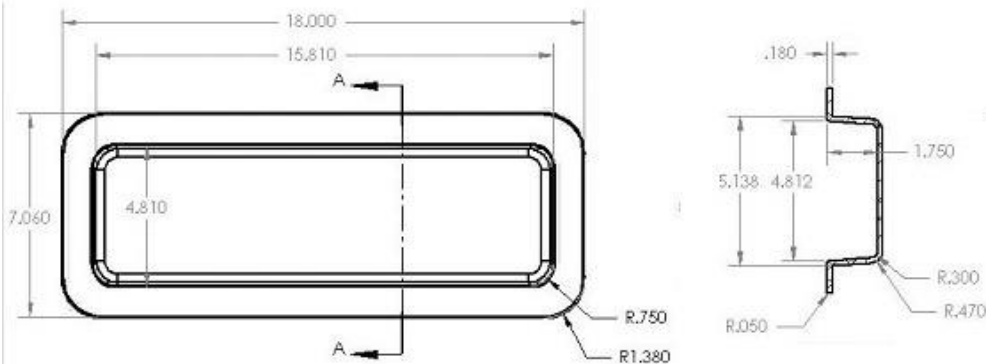
### FG0002-B Shore Power Panel Recessed Box

- 1) Finish: Ball-burnished.
- 2) Angle: 0°
- 3) Dual 2 1/2" holes.

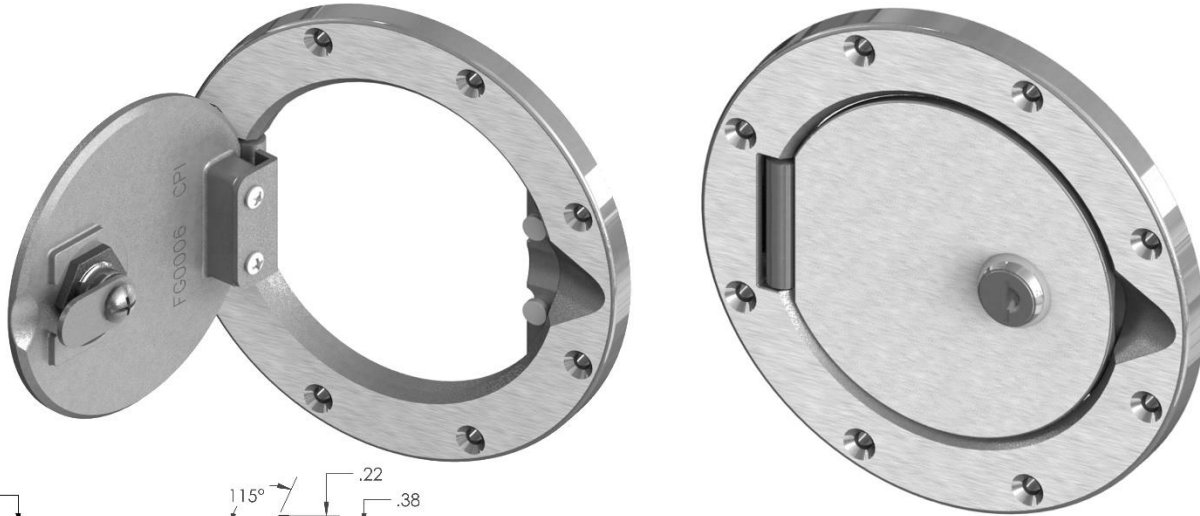
**FG0003**

**FG0003-5  
Recessed Shoreline Box**

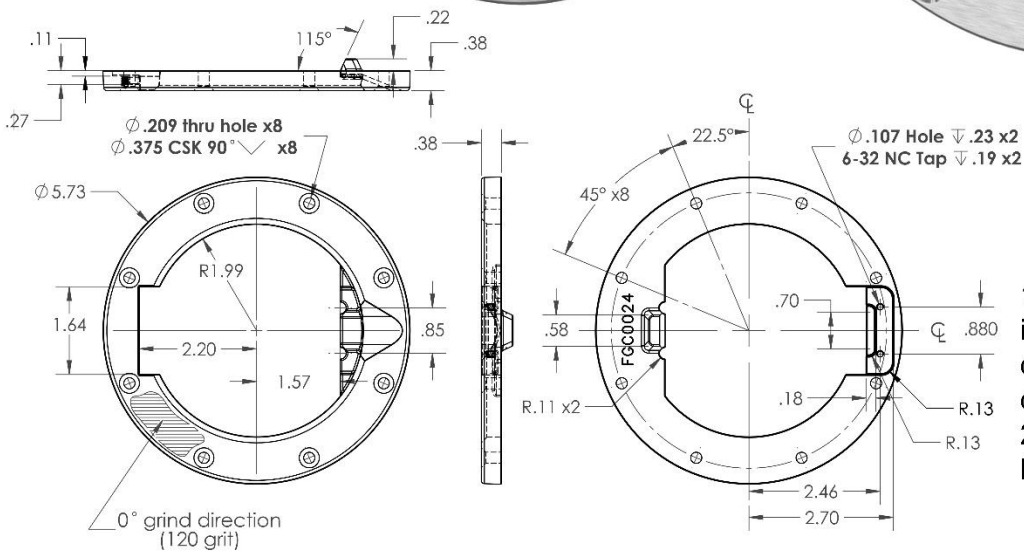
1) Finish: Ball-burnished.



# FG0006-2\_Cyl\_Lock

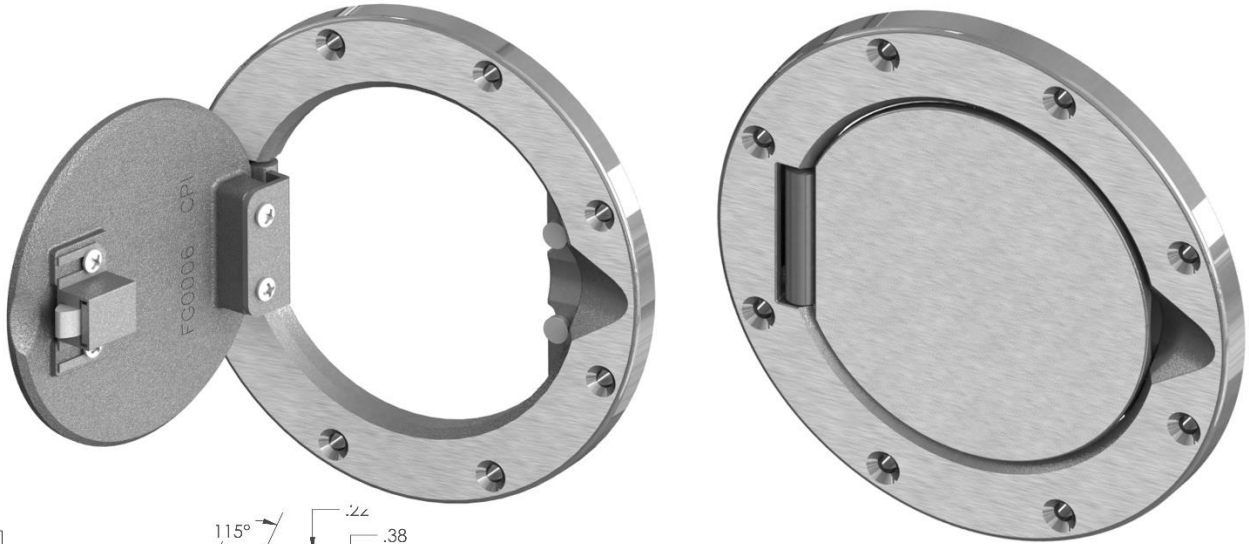


## FG0006-2\_Cyl\_Lock Fuel Filler Door Assembly, Keyed Cylinder Lock



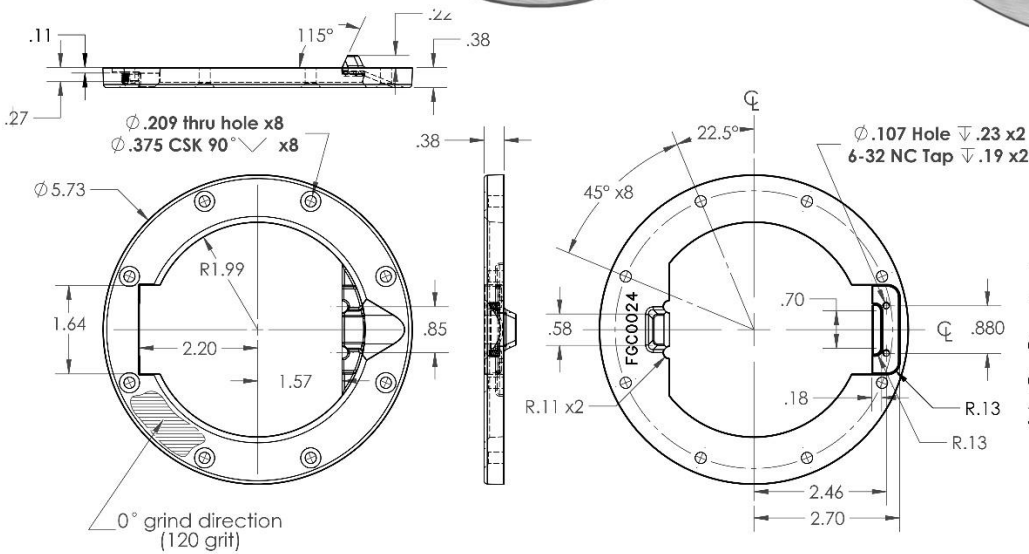
1. Finish: ball-burnished interior with 120 grit directional grind on face (0 d.) and outside edge.
2. With Keyed Cylinder Lock

# FG0006-2\_Friction

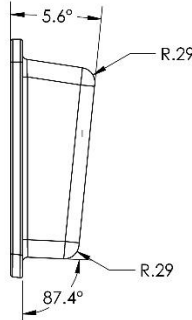
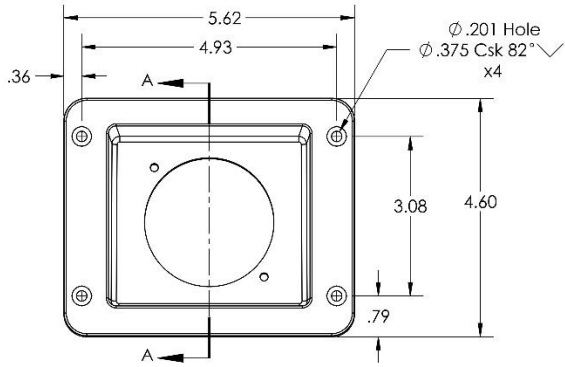


## FG0006-2\_Friction Fuel Filler Door Assembly, Roller Detent

1. Finish: ball-burnished interior with 120 grit directional grind on face (0 d.) and outside edge.
2. With Roller Detent.



## FG0501

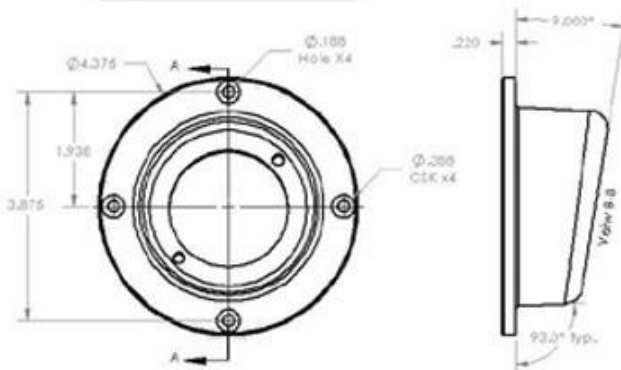
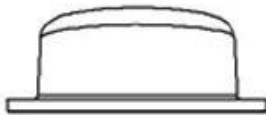


## FG0501

5.62d. Fuel Filler Guard w/ 2.5" Hole & .1563" Holes x2

1. Finish: (-1) Polished flange w/ interior wheel-a-brated.

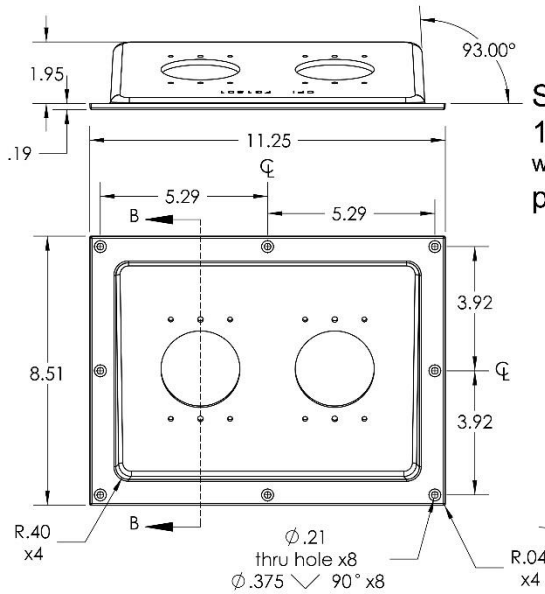
## FG0901



## FG0901 9d. Fuel Filler Guard

- 1) Finish: Exterior flange is polished. Interior is wheel-a-brated.
- 2) Angle: 9 degree.
- 3) Rear hole is 2.00".

# FG1501

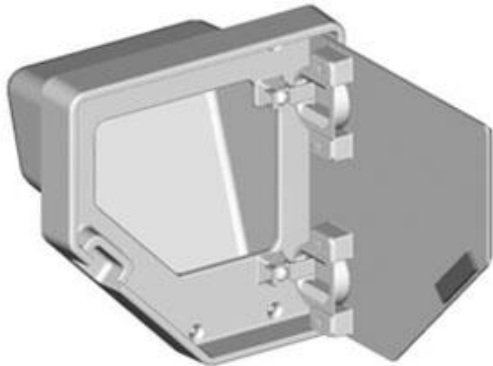


## FG1501 Shoreline Pocket Casting

1) Finish: interior is ball-burnished with flange surface and edges polished.

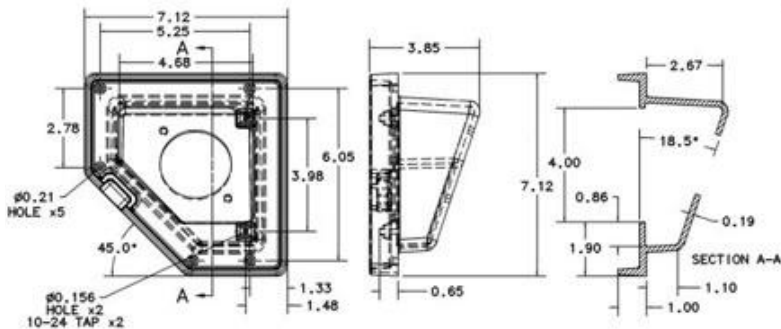


# FG1801



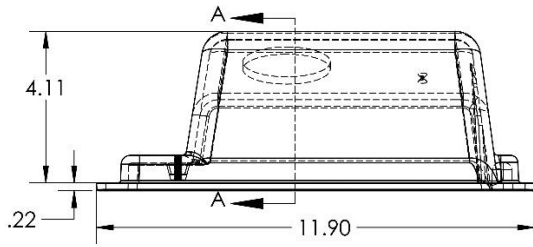
## FG1801 18.5d. Fuel Filler Guard with Lid

1) Finish: Exterior flange is polished. Interior is wheel-a-brated. Lid is 120 grit directional ground.  
 2) Angle: 18.5 degree.  
 3) Rear hole is 2.50".



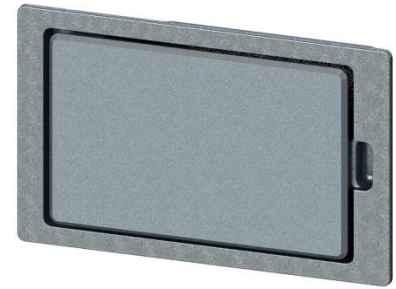
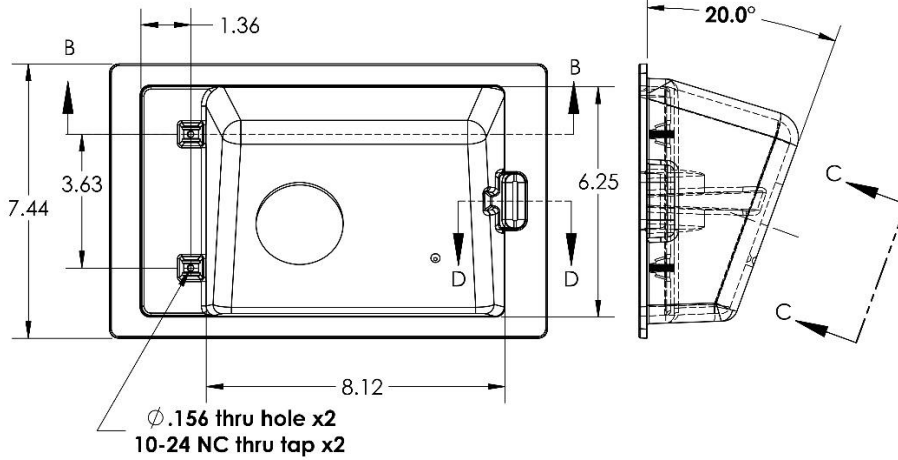


## FG2001

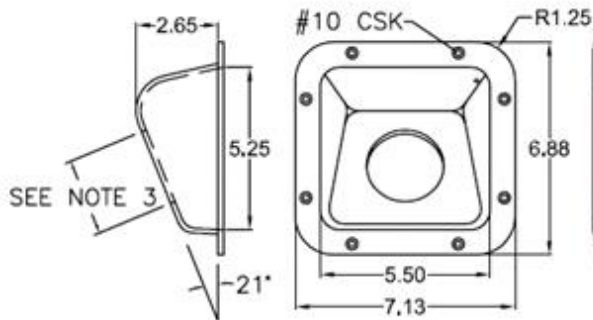


## FG2001 20d Fuel Filler Guard, Hinges Left

1) Finish: VFM for painting.



## FG2101

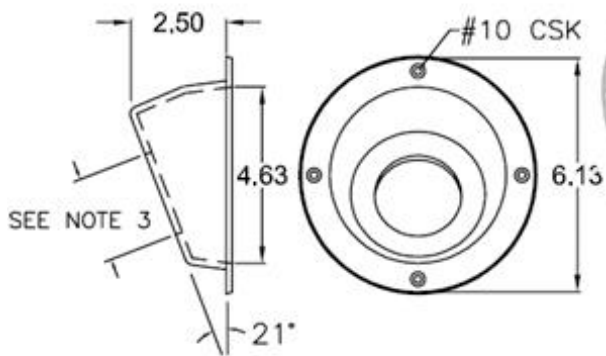


## FG2101 Gas Fill Guard 21° Angle

- 1) Finish: Flange is polished. Inside is bead-blasted.
- 2) Angle: 21°
- 3) Customer please specify when ordering: 2 1/4", 2 1/2", 2 5/8" hole diameter size.



## FG2102

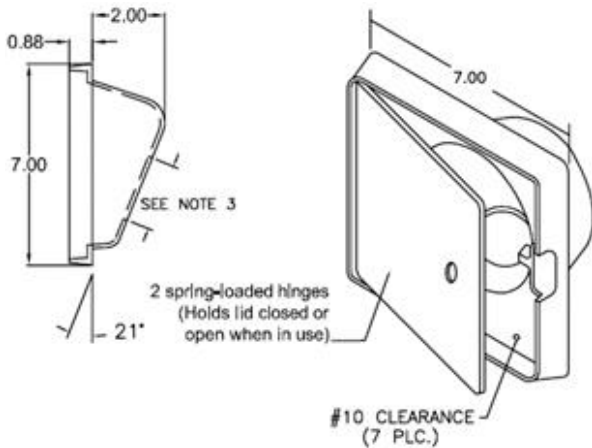


## FG2102 Gas Fill Guard 21° Angle

- 1) Finish: Flange is polished. Inside is bead-blasted.
- 2) Angle: 21°
- 3) Customer please specify when ordering: 2 1/4", 2 1/2", 2 5/8" hole diameter size.



## FG2103



## FG2103 Gas Fill Guard with Lid 21° Angle

- 1) Finish: Flange is polished. Inside is bead-blasted. Lid is 120 grit directional ground.
- 2) Angle: 21°
- 3) Customer please specify when ordering: 2 1/4", 2 1/2", 2 5/8" hole diameter size.
- 4) All concealed hinges and mounting hardware.



## FG2104

1) Finish: Flange is polished, inside is ball-burnished

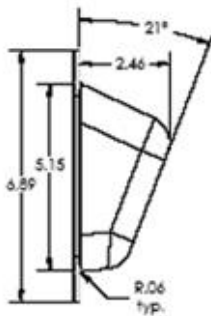
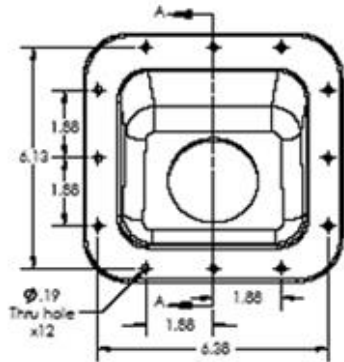
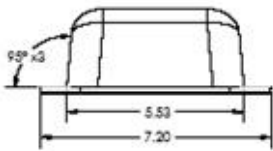
2) Part numbers & options:

FG2104-1-225 for 2.250" rear hole

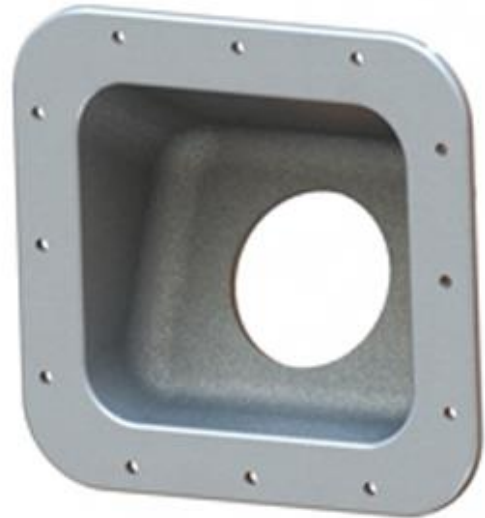
FG2104-1-238 for 2.375" rear hole

FG2104-1-250 for 2.500" rear hole

FG2104-1-263 for 2.625" rear hole



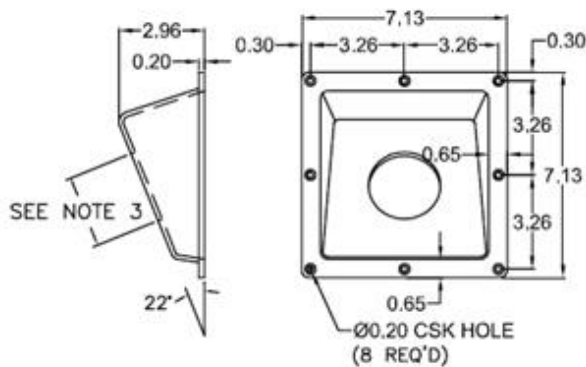
## FG2104 Gas Fill Guard 22° Angle



## FG2201

## FG2201

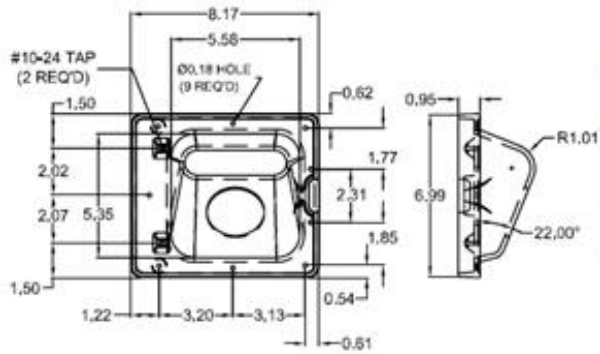
## Gas Fill Guard 22° Angle



- 1) Finish: Flange is polished. Inside is bead-blasted.
- 2) Angle 22°
- 3) Customer please specify when ordering: 2 1/4", 2 1/2", 2 5/8" hole diameter size.

## FG2204

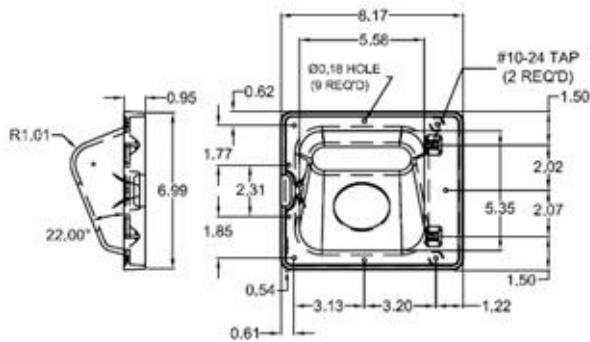
## FG2204 Gas Fill Guard 22° Angle



- 1) Finish: Flange is polished. Inside is bead-blasted. Lid is 120 grit directional ground.
- 2) Angle: 21°
- 3) Customer please specify when ordering: 2 1/4", 2 1/2", 2 5/8" hole diameter size.
- 4) All concealed hinges and mounting hardware.

## FG2205

## FG2205 Gas Fill Guard 22° Angle



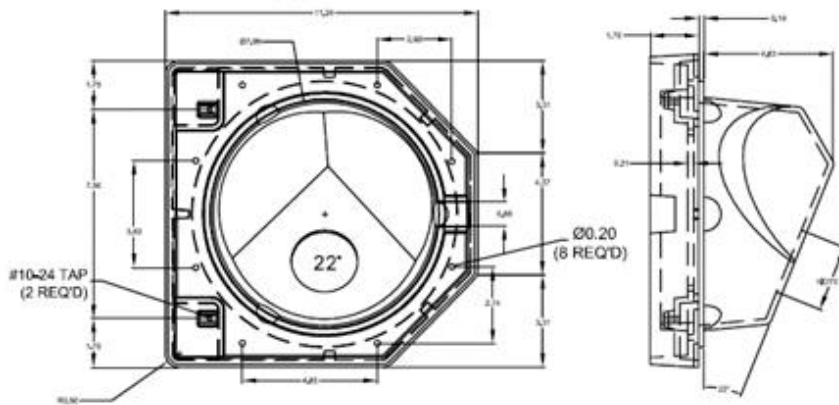
- 1) Finish: Flange is polished. Inside is bead-blasted. Lid is 120 grit directional ground.
- 2) Angle: 21°
- 3) Customer please specify when ordering: 2 1/4", 2 1/2", 2 5/8" hole diameter size.
- 4) All concealed hinges and mounting hardware.

FG2206

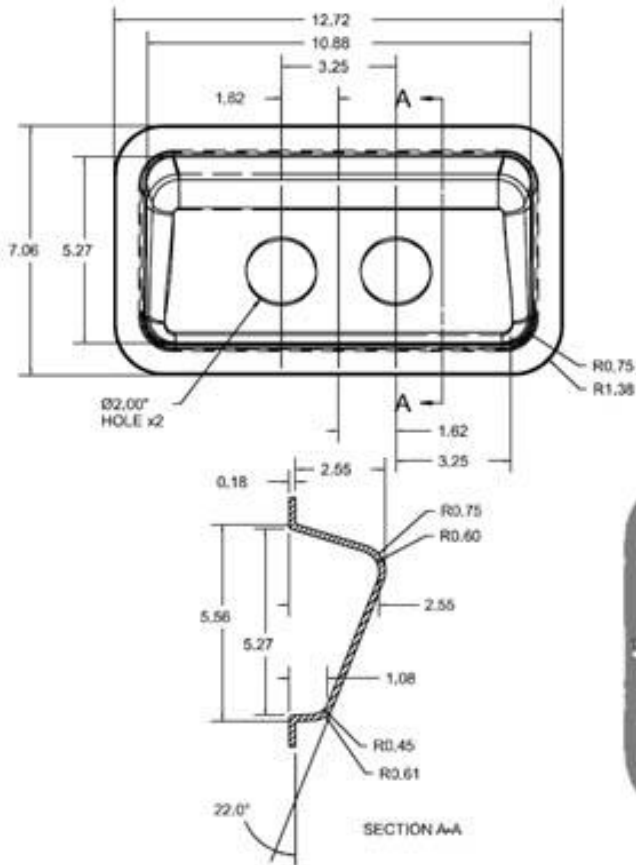


## FG2206 Gas Fill Guard (22° Angle) with Lid

- 1) Finish: Guard is wheel-a-brated. Flange is polished. Lid is 120 grit directional ground.
- 2) Customer please specify when ordering: 2 1/4", 2 1/2", or 2 5/8" hole size.
- 3) Angle: 22°
- 4) Use with ADC0028 Access Flange to keep the same appearance as the O<sub>2</sub> Bottle doors.

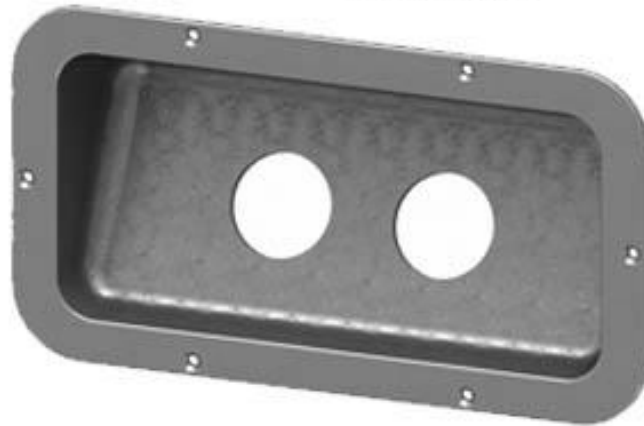


## FG2207

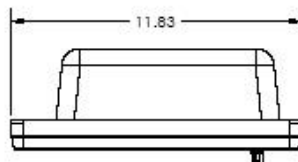
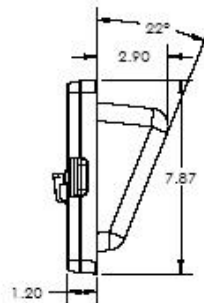


## FG2207 Fuel Filler Guard 22° Angle

- 1) Finish: Flange polished. Inside is ball-burnished.
- 2) Angle: 22°
- 3) Std. with no holes. -A option for dual 2" holes.

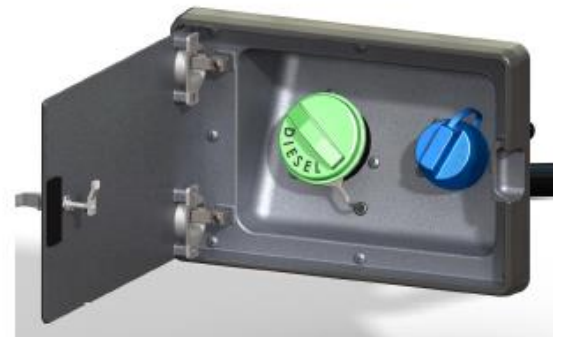


## FG2208

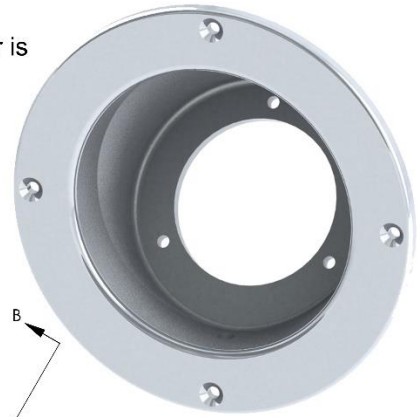
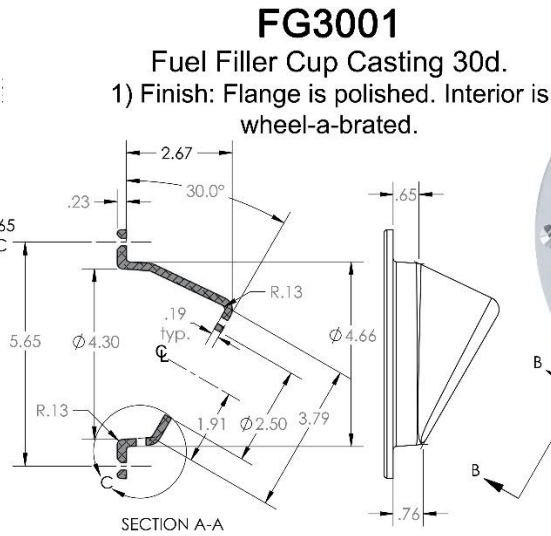
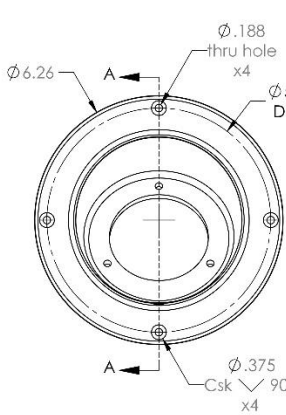
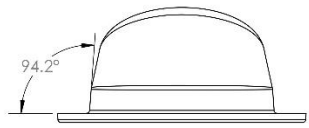


## FG2208 Dual Fuel Filler Guard (22° Angle, 2.50" & 1.75" Holes) w/ Southco 200 Series "Lift & Turn" Latch for 2011 Ford F Series SD

- 1) Finish: Ball-burnished w/ exterior flange polished and lid face 120 grit ground.
- 2) Angle is 22°
- 3) 2.50" & 1.75" diameter cutouts



## FG3001

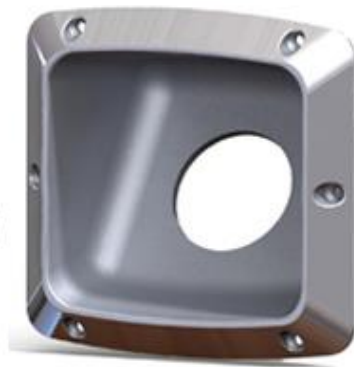
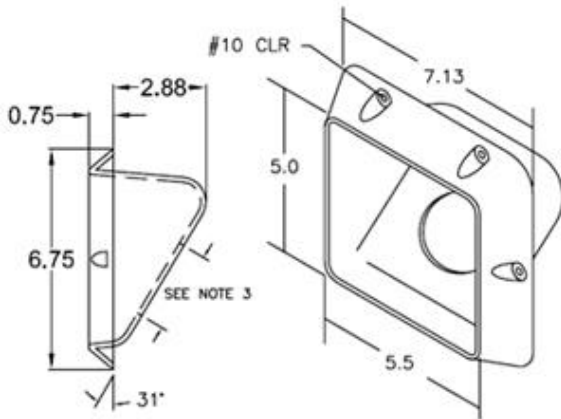


## FG3001

Fuel Filler Cup Casting 30d.

- 1) Finish: Flange is polished. Interior is wheel-a-brated.

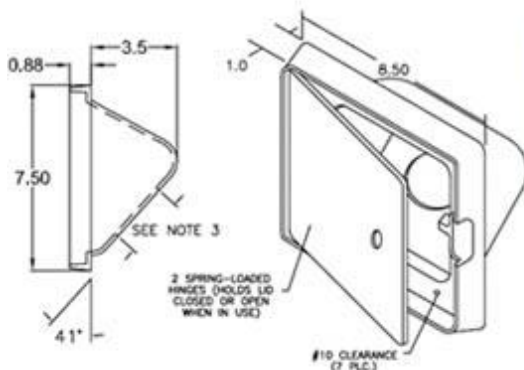
## FG3101



## FG3101 Gas Fill Guard 31° Angle

- 1) Finish: Flange is polished. Inside is Bead-blasted.
- 2) Angle: 31°
- 3) Customer please specify when ordering: 2 1/4", 2 1/2", 2 5/8" hole diameter size.

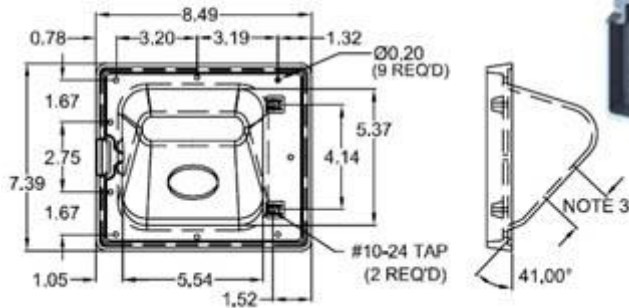
## FG4101



## FG4101 Gas Fill Guard (41° Angle) with Lid

- 1) Finish: Flange is polished. Inside is Bead-blasted. Lid is 120 grit directional ground.
- 2) Angle: 41°
- 3) Customer please specify when ordering: 2 1/4", 2 1/2", or 2 5/8" hole diameter size.
- 4) All concealed hinges and mounting hardware.

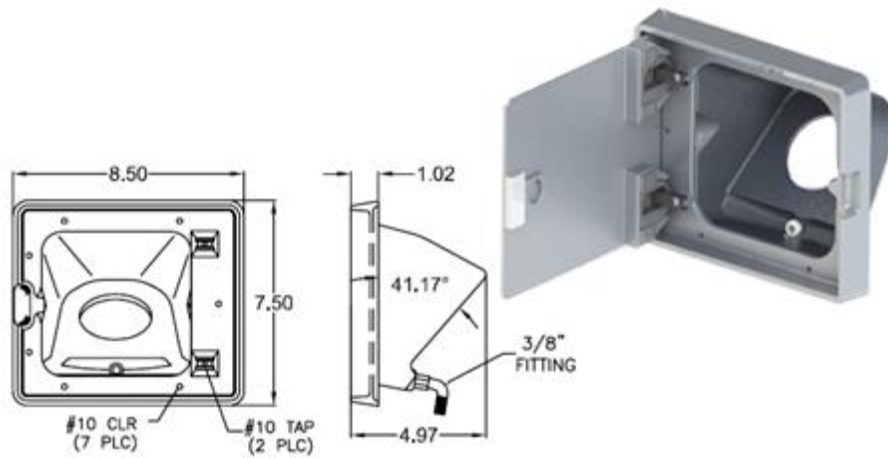
## FG4102



## FG4102 Gas Fill Guard (41° Angle) with Lid

- 1) Finish: Flange is polished. Inside is Bead-blasted. Lid is 120 grit directional ground.
- 2) Angle: 41°
- 3) Customer please specify when ordering: 2 1/4", 2 1/2", or 2 5/8" hole diameter size.
- 4) All concealed hinges and mounting hardware.

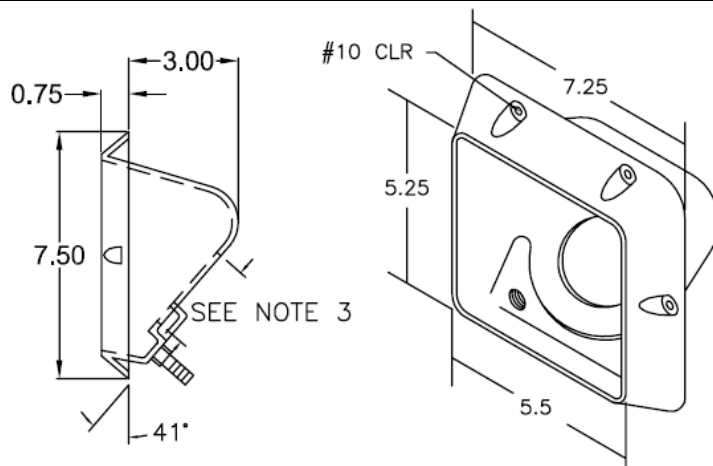
## FG4103



## FG4103 Gas Fill Guard (41° Angle) with Lid

- 1) Finish: Flange is polished. Inside is Bead-blasted. Lid is 120 grit directional ground.
- 2) Angle: 41°
- 3) Customer please specify when ordering: 2 1/4", 2 1/2", 2 5/8" hole diameter size.
- 4) All concealed hinges and mounting hardware and "*spill sump*" included.

## FG4104

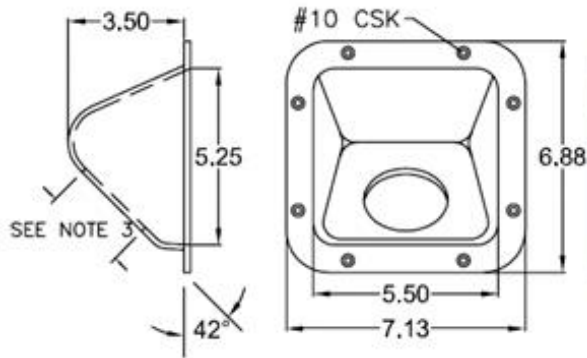


## FG4104 Gas Fill Guard 41° Angle

- 1) Finish: Flange is polished. Inside is Bead-blasted.
- 2) Angle: 41°
- 3) Customer please specify when ordering: 2 1/4", 2 1/2", 2 5/8" hole diameter size.
- 4) "Spill sump" uses fuel resistant nylon fitting (provided).



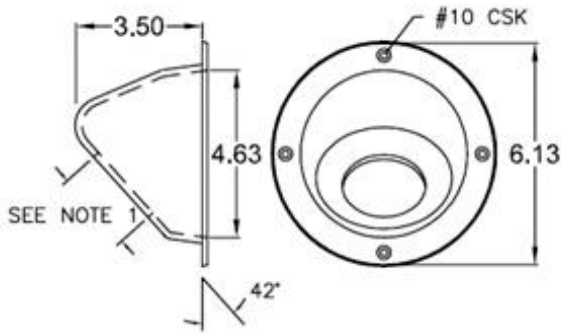
## FG4201



## FG4201 Gas Fill Guard 42° Angle

- 1) Finish: Flange is polished. Inside is Bead-blasted.
- 2) Angle: 42°
- 3) Customer please specify when ordering 2 1/4", 2 1/2", or 2 5/8" hole diameter size.

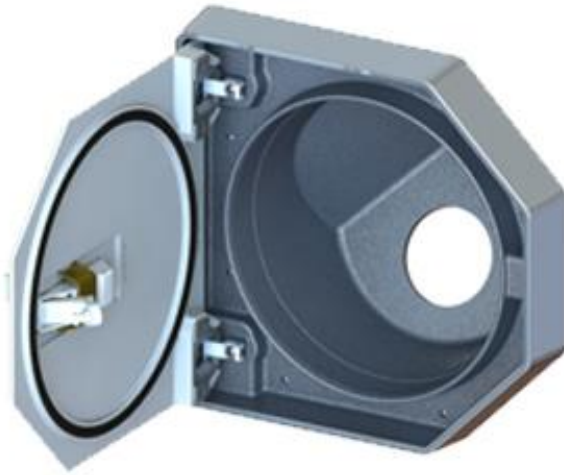
## FG4202



## FG4202 Gas Fill Guard 42° Angle

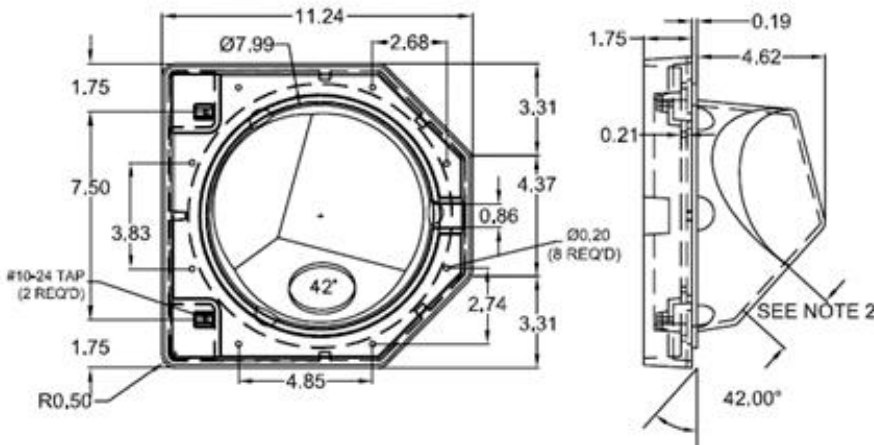
- 1) Finish: Flange is polished. Inside is Bead-blasted.
- 2) Angle: 42°
- 3) Customer please specify when ordering 2 1/4", 2 1/2", or 2 5/8" hole diameter size.

FG4204

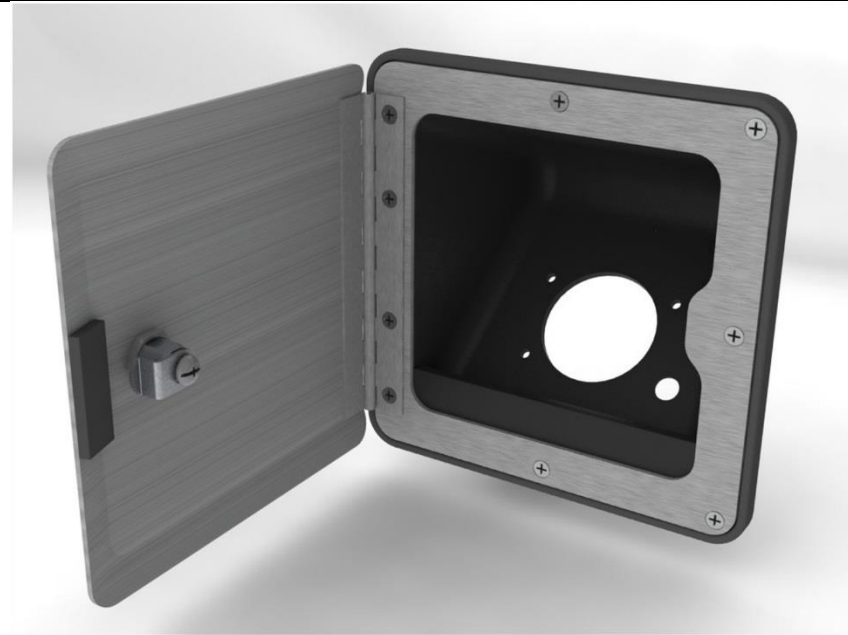


## FG4204 Gas Fill Guard (42° Angle) with Lid

- 1) Finish: Guard is wheel-a-brated. Flange is polished. Lid is 120 grit directional ground.
- 2) Customer please specify when ordering: 2 1/4", 2 1/2", or 2 5/8" hole size.
- 3) Angle: 42°
- 4) Use with ADC0028 Access Flange to keep the same appearance as the O<sub>2</sub> Bottle doors.

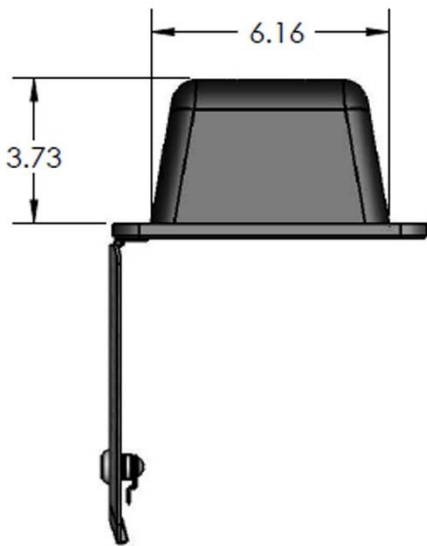


FG4205

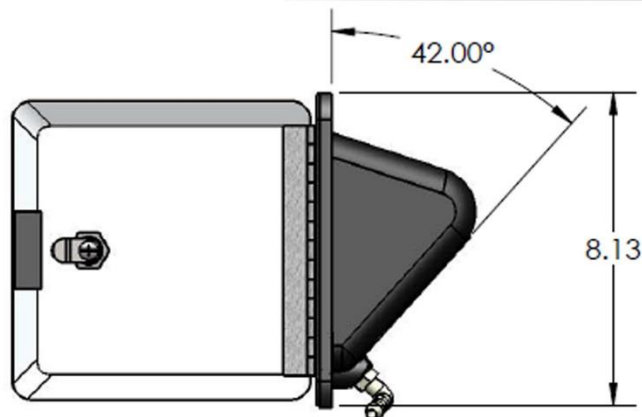
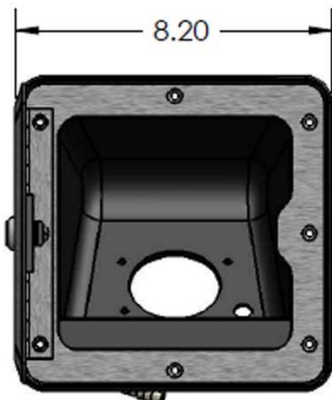


## FG4205 Stainless Fuel Filler, 4d., Door Flange, Lid and Plastic Injected Fuel Filler.

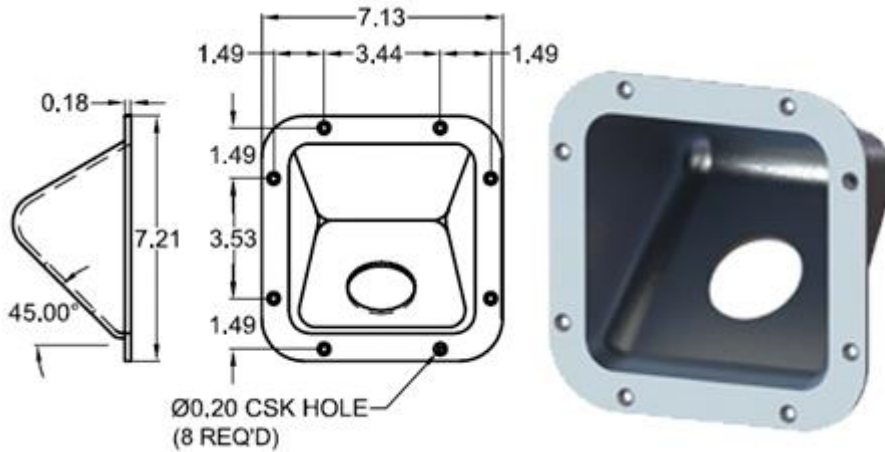
- 1) All concealed mounting hardware. Stainless Piano Hinge.
- 2) Thick Rubber Gasket for sealing Flange to Lid. Rubber Gasket for mounting to rear of Plastic Injected Fuel Filler.
- 3) Multiple rear hole options available.
- 4) Fuel Sump area and Nylon Drain Fitting built in.
- 5) 3/4" Keyed Cylinder Latch



Options:  
Lid: Brushed or  
polished finish.



## FG4501



## FG4501 Gas Fill Guard 45° Angle

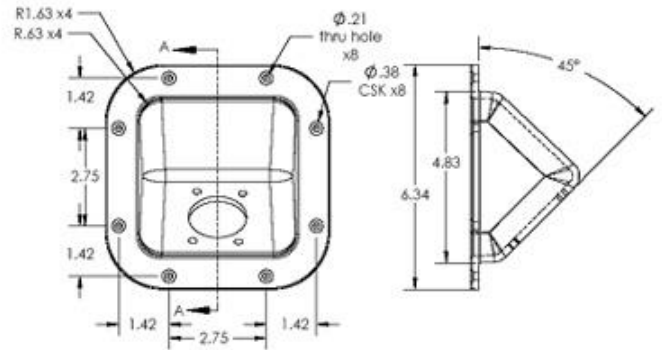
- 1) Finish: Flange is polished. Inside is Bead-blasted.
- 2) Angle: 45°
- 3) Customer please specify when ordering 2 1/4", 2 1/2", or 2 5/8" hole diameter size.

## FG4502



## FG4502 Fuel (or Urea) Filler Guard (45° Angle)

- 1) Finish: Ball-burnished w/ exterior flange polished.
- 2) Angle is 45°
- 3) For Urea Filler Necks"  
1 5/8" center hole with four .220" holes or -A version with 1 5/8" center hole and three .250" holes.

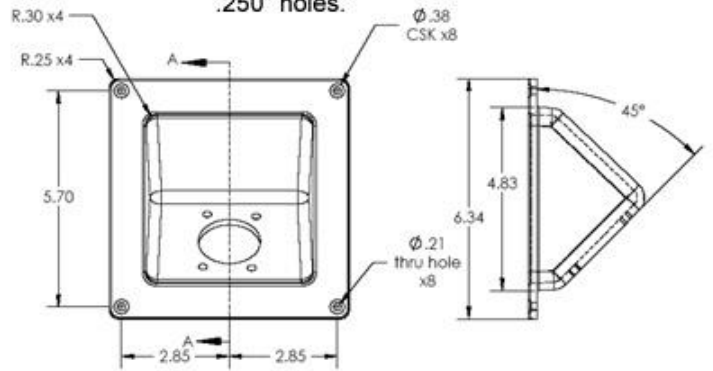


# FG4503



## FG4503 Fuel (or Urea) Filler Guard (45° Angle)

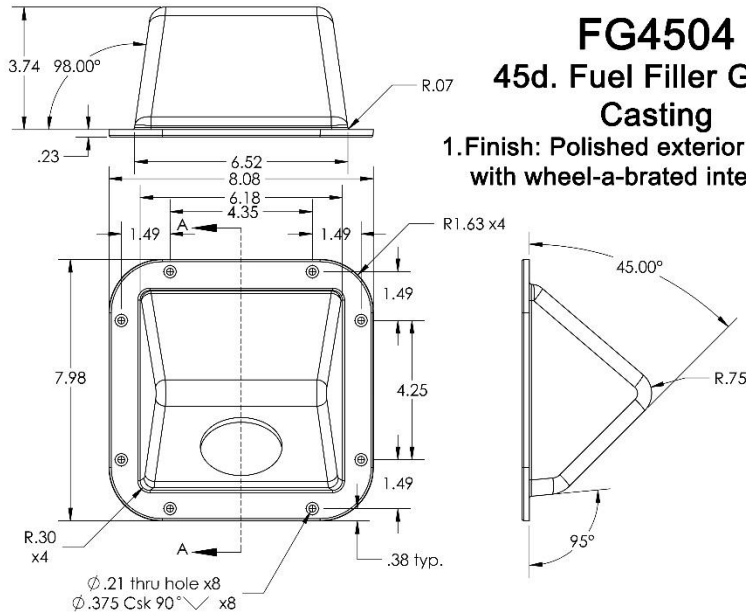
- 1) Finish: Ball-burnished w/ exterior flange polished.
- 2) Angle is 45°
- 3) For Urea Filler Necks™  
1 5/8" center hole with four .220" holes or -A version with 1 5/8" center hole and three .250" holes.



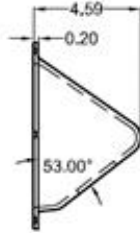
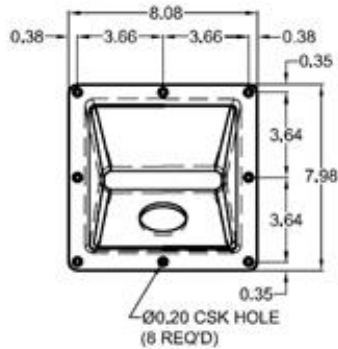
# FG4504

## FG4504 45d. Fuel Filler Guard Casting

- 1. Finish: Polished exterior flange (-1) with wheel-a-brated interior (-4).



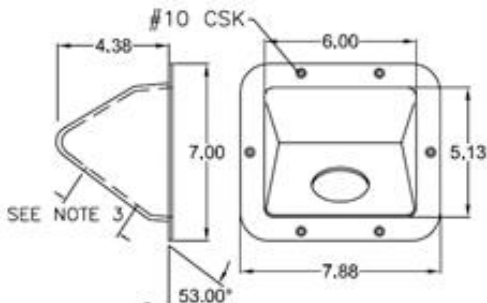
## FG5301



## FG5301 Gas Fill Guard 53° Angle

- 1) Finish: Flange is polished. Inside is Bead-blasted.
- 2) Angle: 53°
- 3) Customer please specify when ordering 2 1/4", 2 1/2", or 2 5/8" hole diameter size.

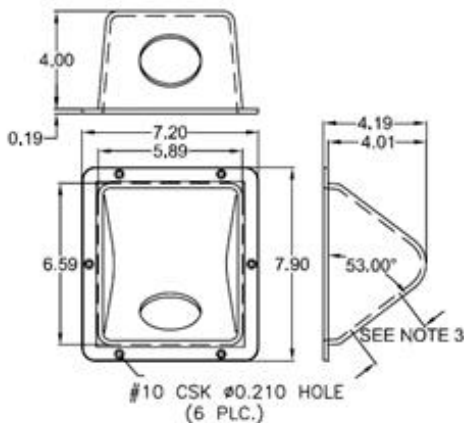
## FG5302



## FG5302 Gas Fill Guard 53° Angle

- 1) Finish: Flange is polished. Inside is Bead-blasted.
- 2) Angle: 53°
- 3) Customer please specify when ordering 2 1/4", 2 1/2", or 2 5/8" hole diameter size.

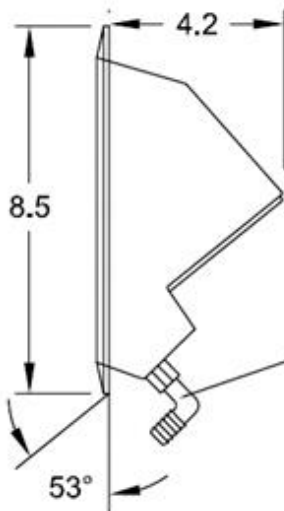
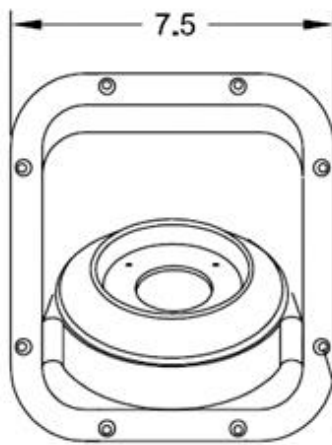
## FG5303



## FG5303 Gas Fill Guard 53° Angle

- 1) Finish: Flange is polished. Inside is Bead-blasted.
- 2) Angle: 53°
- 3) Customer please specify when ordering 2 1/4", 2 1/2", or 2 5/8" hole diameter size.

## FG5304



#10 CSK

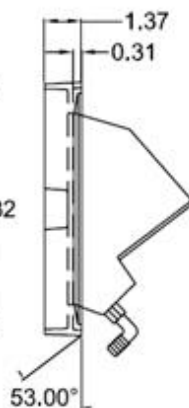
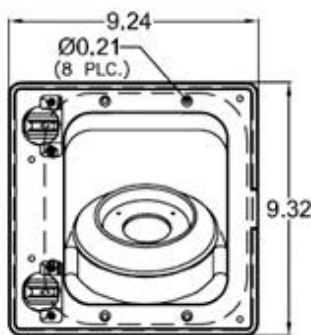
3/8" FITTING

## FG5304

### "Break-Away" Gas Fill Guard with Spill Sump

- 1) "**Break-Away**" Design incorporates a rubber gasket insert that permits fuel fill neck to separate from insert or insert separate from casting in the event of vehicle roll or module body separation, increasing chances of leaving fuel fill neck intact with fuel tank.
- 2) Casting "**spill sump**" uses fuel resistant nylon fitting (provided) to use with 3/8" flexible hose to route spilled fuel away and to the ground.
- 3) Aluminum ring to bolt rubber insert against fuel fill neck backplate. Rubber stretches to seal around various size fuel fill necks.
- 4) Finish: Flange is polished. Inside is Bead-blasted.
- 5) Angle: 53°.

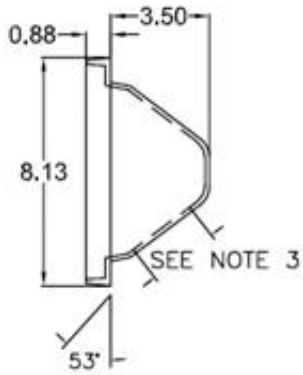
## FG5305



## FG5305 Gas Fill Guard (53° Angle) with Lid

- 1) Finish: Flange is polished. Inside is bead-blasted. Lid is 120 grit directional ground.
- 2) Angle: 53°
- 3) All concealed hinges and mounting hardware.
- 4) "**Break-Away**" and "**spill sump**" design.

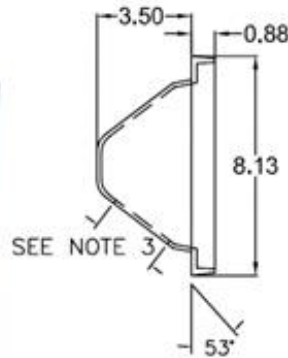
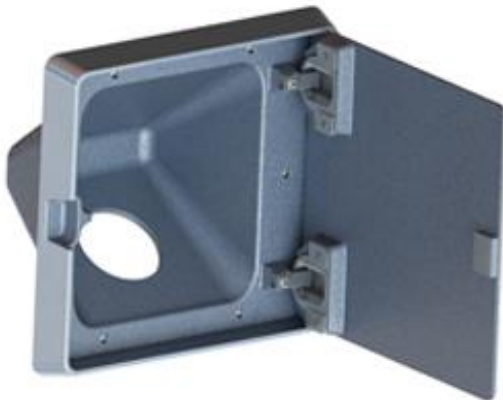
## FG5306



## FG5306 Gas Fill Guard (53° Angle) with Lid

- 1) Finish: Flange is polished. Inside is bead-blasted. Lid is 120 grit directional ground.
- 2) Angle: 53°
- 3) Customer please specify when ordering: 2 1/4", 2 1/2", or 2 5/8" hole diameter size.
- 4) All concealed hinges and mounting hardware

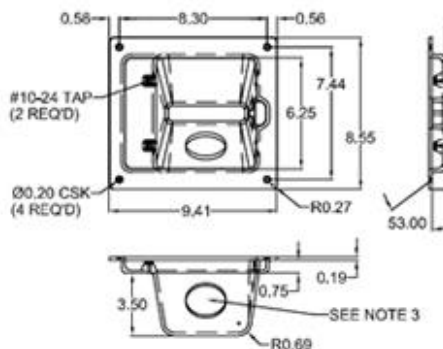
## FG5307



## FG5307 Gas Fill Guard (53° Angle) with Lid

- 1) Finish: Flange is polished. Inside is bead-blasted. Lid is 120 grit directional ground.
- 2) Angle: 53°
- 3) Customer please specify when ordering: 2 1/4", 2 1/2", or 2 5/8" hole diameter size.
- 4) All concealed hinges and mounting hardware.

## FG5308

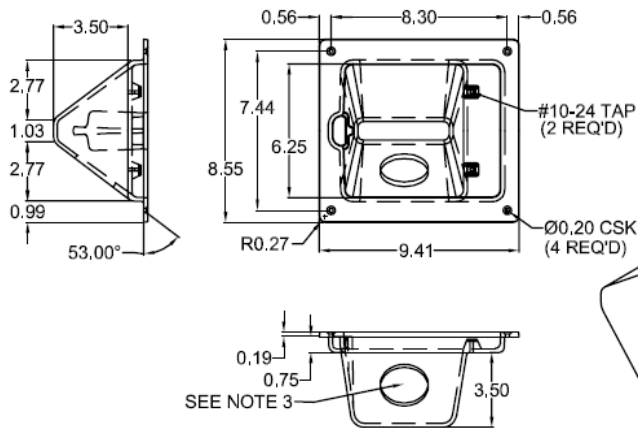


## FG5308 Recessed Gas Fill Guard (53° Angle) with Lid

- 1) Finish: Flange is polished. Inside is bead-blasted. Lid is 120 grit directional ground.
- 2) Angle: 53°
- 3) Customer please specify when ordering: 2 1/4", 2 1/2", or 2 5/8" hole diameter size.
- 4) All concealed hinges and mounting hardware.



## FG5309

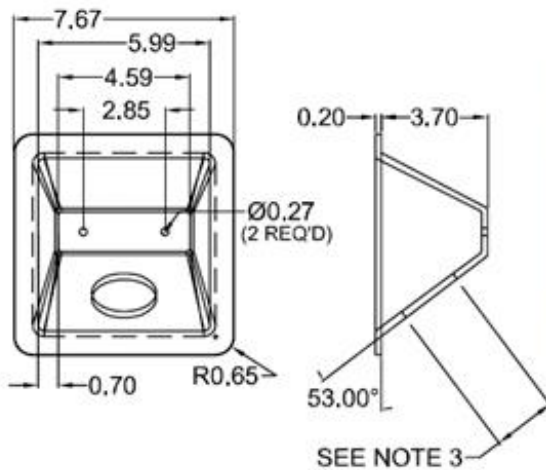


## FG5309

### Recessed Gas Fill Guard (53° Angle) with Lid

- 1) Finish: Flange is polished. Inside is bead-blasted. Lid is 120 grit directional ground.
- 2) Angle: 53°
- 3) Customer please specify when ordering: 2 1/4", 2 1/2", or 2 5/8" hole diameter size.
- 4) All concealed hinges and mounting hardware.

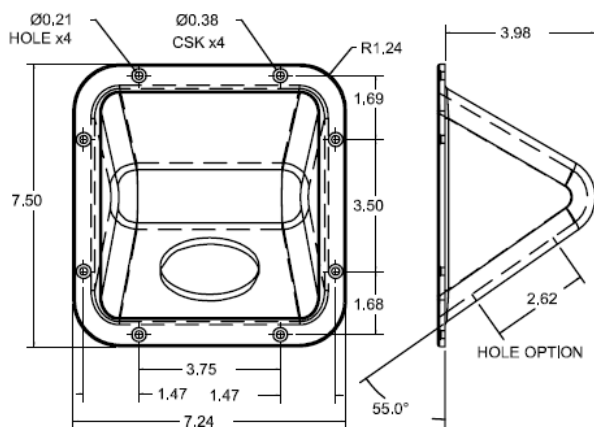
## FG5310



## FG5310 Gas Fill Guard 53° Angle

- 1) Finish: Flange is polished. Inside is bead-blasted.
- 2) Angle: 53°
- 3) Customer please specify when ordering: 2 1/4", 2 1/2", or 2 5/8" hole diameter size.

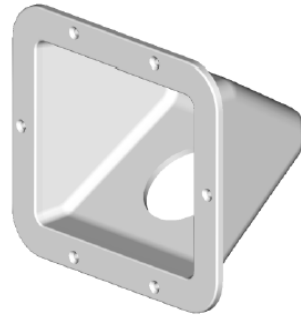
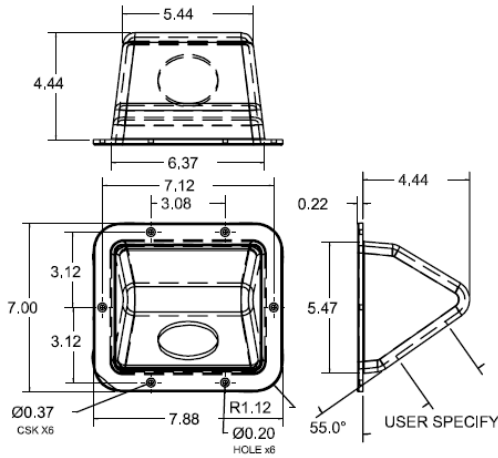
## FG5501



## FG5501 Gas Fill Guard (55° Angle)

- 1) Finish: Flange is polished. Inside is bead-blasted.
- 2) Customer please specify when ordering: 2 1/4", 2 1/2", or 2 5/8" hole size.
- 3) Angle: 55°

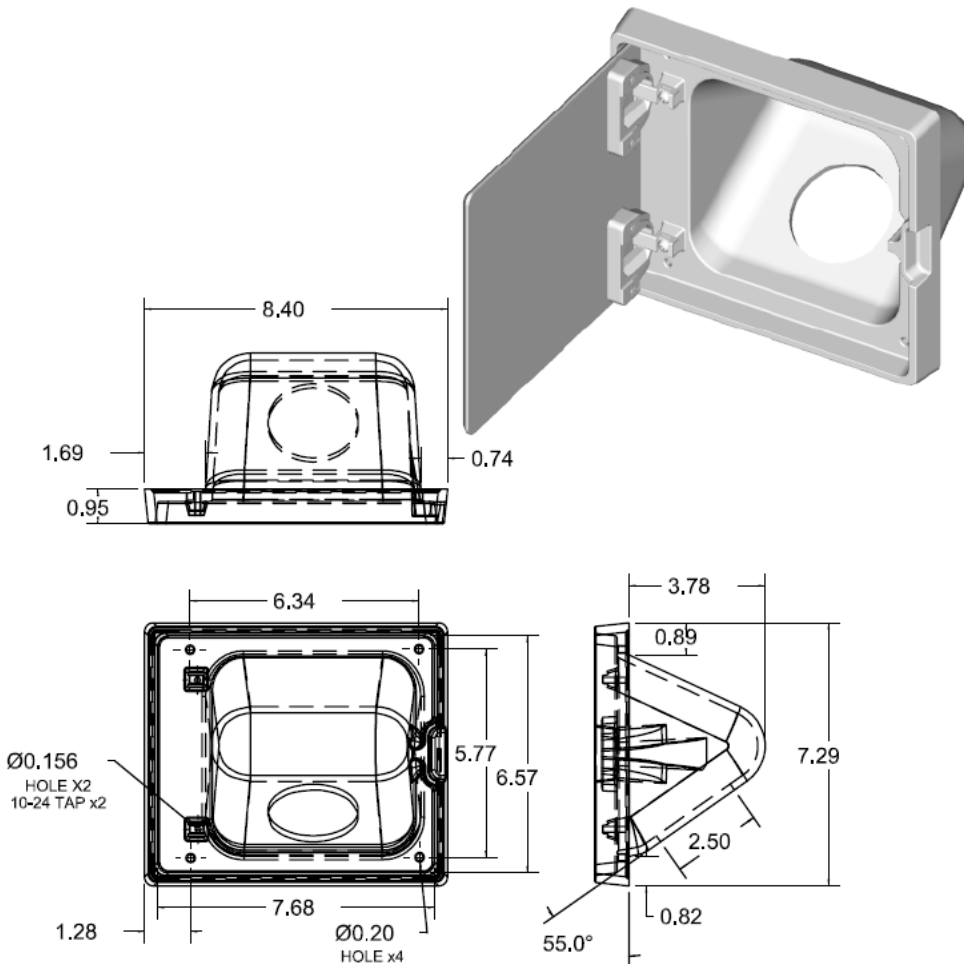
## FG5502



## FG5502 Gas Fill Guard (55° Angle)

- 1) Finish: Flange is polished. Inside is bead-blasted.
- 2) Customer please specify when ordering: 2 1/4", 2 1/2", or 2 5/8" hole size.
- 3) Angle: 55°

## FG5503



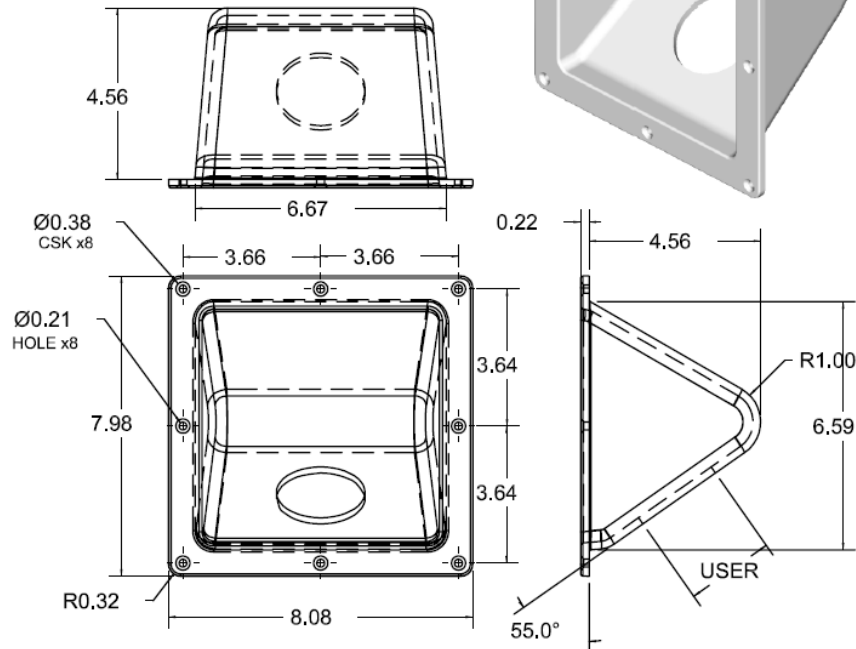
## FG5503 Gas Fill Guard (55° Angle) with Lid

- 1) Finish: Flange is polished. Inside is bead-blasted. Lid is 120 grit directional ground.
- 2) Customer please specify when ordering: 2 1/4", 2 1/2", or 2 5/8" hole size.
- 3) Angle: 55°
- 4) All concealed hinges and mounting hardware

## FG5504

## FG5504

### Gas Fill Guard (55° Angle)

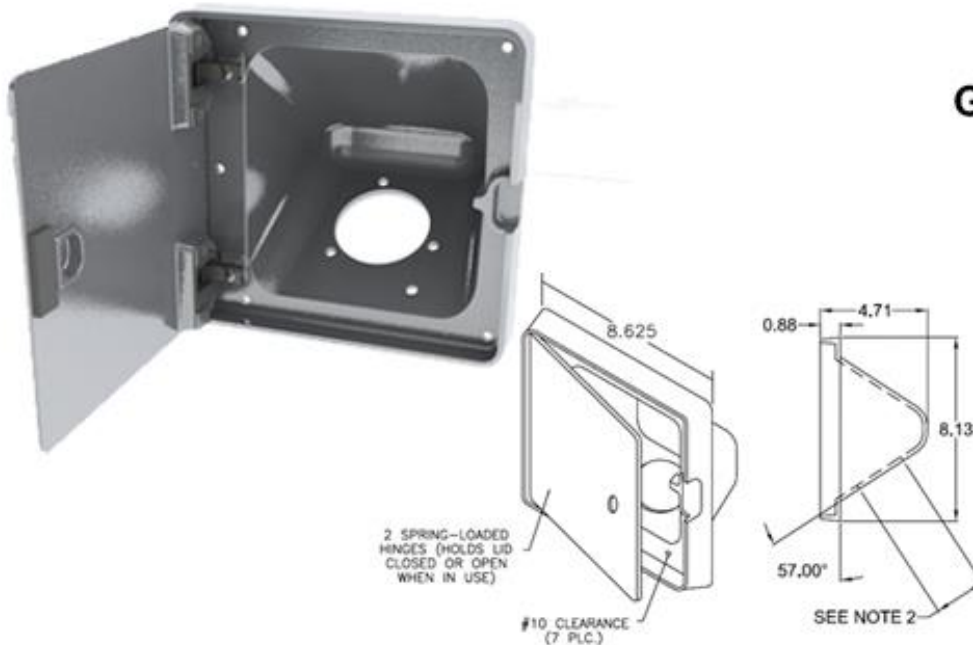


- 1) Finish: Flange is polished. Inside is bead-blasted.
- 2) Customer please specify when ordering: 2 1/4", 2 1/2", or 2 5/8" hole size.
- 3) Angle: 55°

## FG5701

## FG5701

### Gas Fill Guard (57° Angle) with Lid



- 1) Finish: Flange is polished. Inside is bead-blasted. Lid is 120 grit directional ground.
- 2) Customer please specify when ordering: 2 1/4", 2 1/2", or 2 5/8" hole size.
- 3) Angle: 57°
- 4) All concealed hinges and mounting hardware

**FG5703**

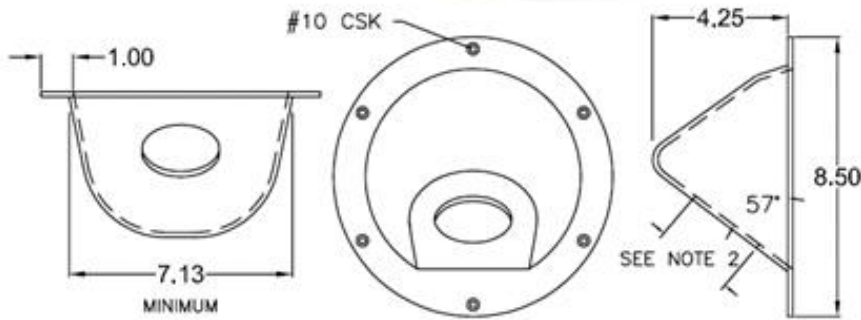


## **FG5703**

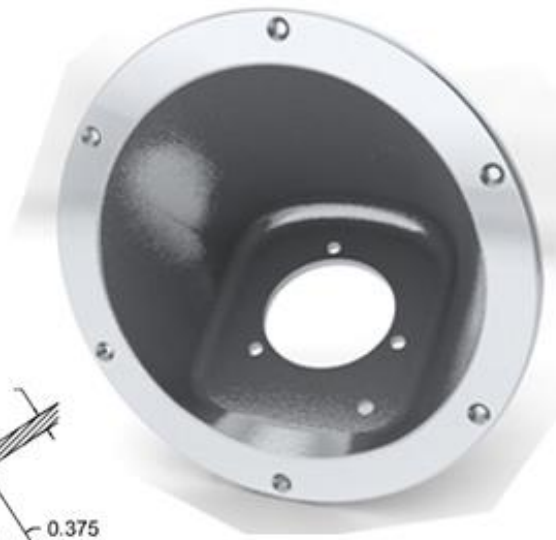
### **Gas Fill Guard**

### **57° Angle**

- 1) Finish: Flange is polished. Inside is bead-blasted.
- 2) Customer please specify when ordering: 2 1/4", 2 1/2", or 2 5/8" hole size.
- 3) Angle: 57°

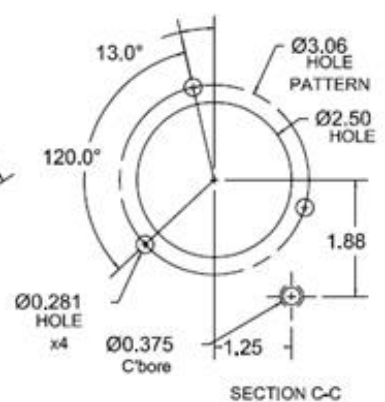
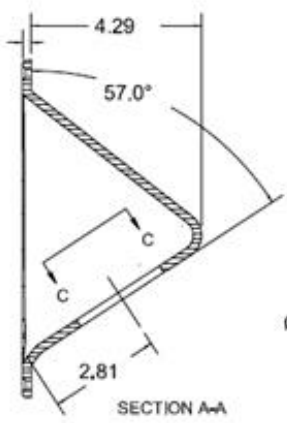
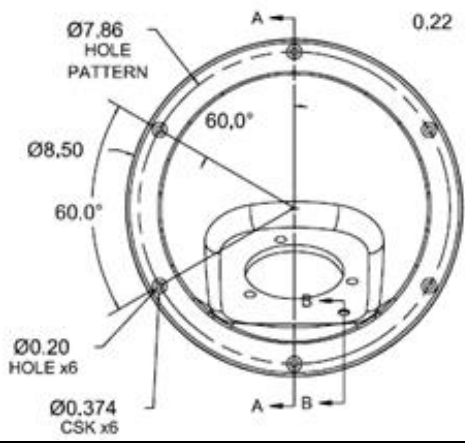
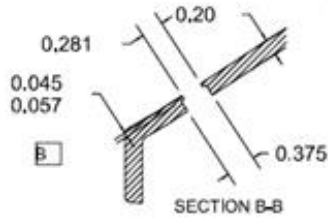


**FG5704**



**FG5704  
Gas Fill Guard  
57° Angle**

- 1) Finish: all exterior surfaces are polished. Inside is ball-burnished.
- 2) Angle: 57°
- 3) Standard with 2 1/2" hole and additional neck mounting holes.

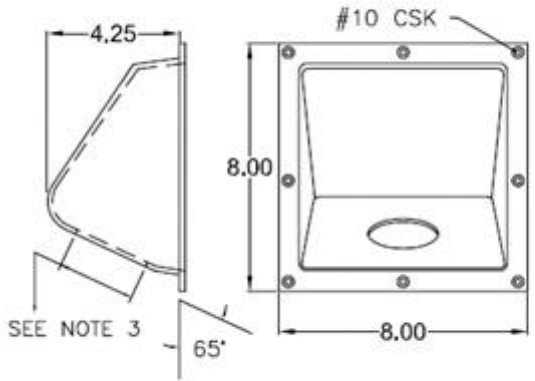


**FG6501**



**FG6501  
Gas Fill Guard  
65° Angle**

- 1) Finish: all exterior surfaces are polished. Inside is ball-burnished.
- 2) Angle: 65°
- 3) Customer specify hole size desired: 2", 2 1/4", 2 3/8", 2 1/2" or 2 5/8".

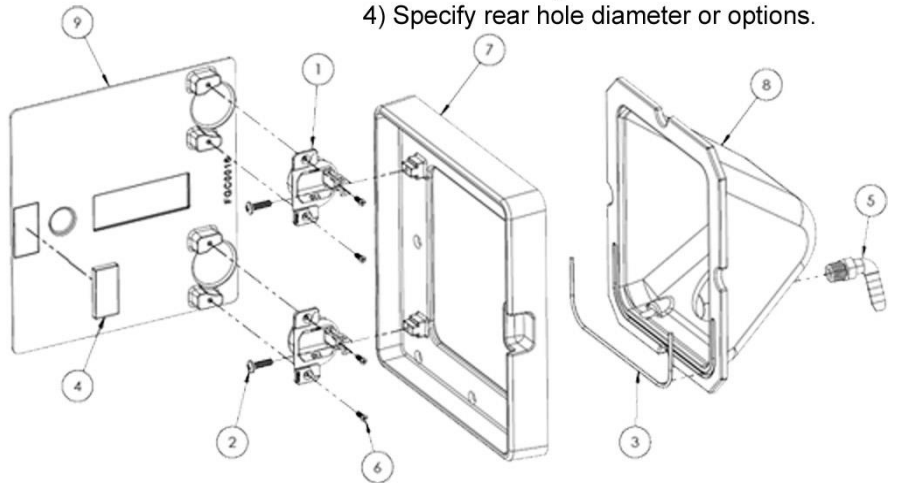


**FGL0022 FGL0042  
FGL0053**

**Fuel Filler Guard, Rear  
neck hole w/ Lid, with  
Latch, Flange, Sump and  
90d. Nylon Fitting**



- 1) Finish: interior is ball-burnished with mounting flange polished. Lid is 120 grit directional ground.
- 2) Can be supplied with Southco Lift-n-Turn lever latch or without latch
- 3) Features sump area and 90d. nylon fitting for drain. Standard lid and mounting flange used different angled backs.
- 4) Specify rear hole diameter or options.

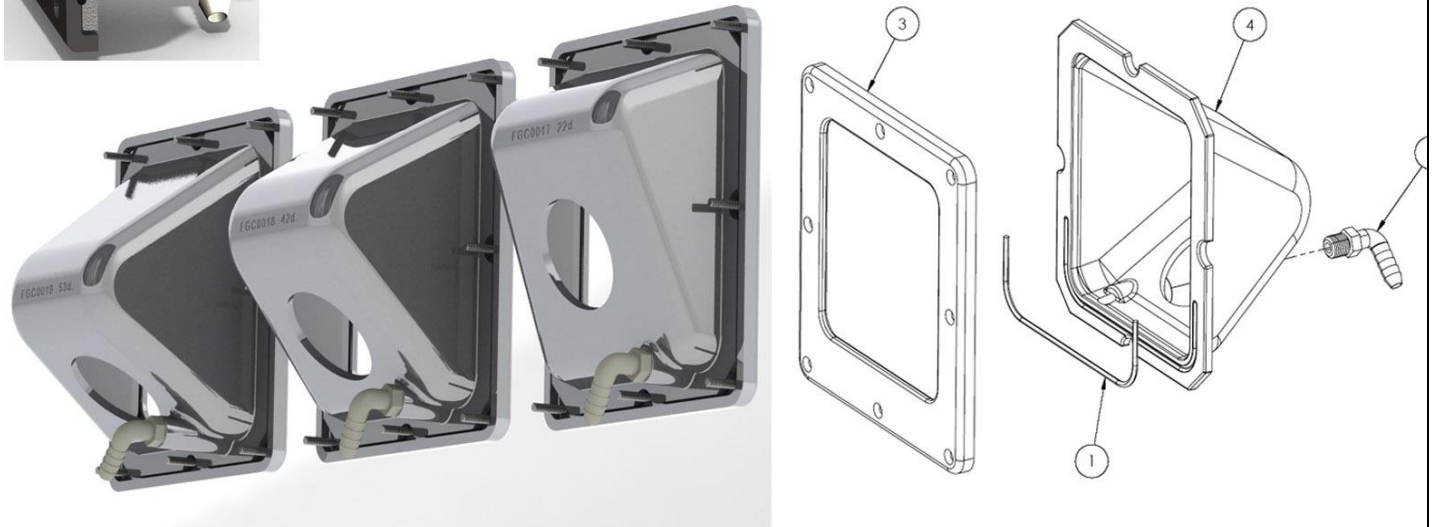
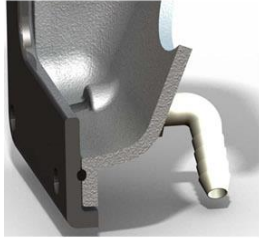


FGT0022 FGT0042 FGT0053

### FGT0022 FGT0042 FGT0053

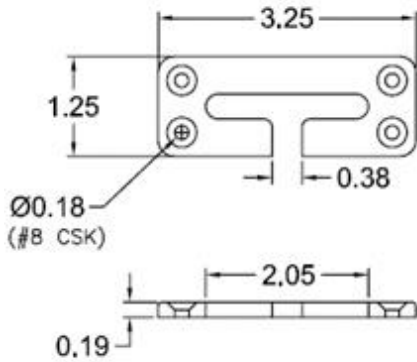
Fuel Filler Guard, Rear  
neck hole with Face  
Trim, Sump and 90d.  
Nylon Fitting

- 1) Finish: interior is ball-burnished with polished Trim Flange.
- 2) Features sump area and 90d. nylon fitting for drain. Standard Face Trim uses different angled backs.
- 4) Specify rear hole diameter or options.



## Flange Rings

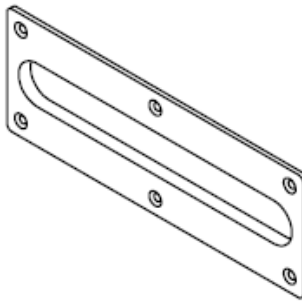
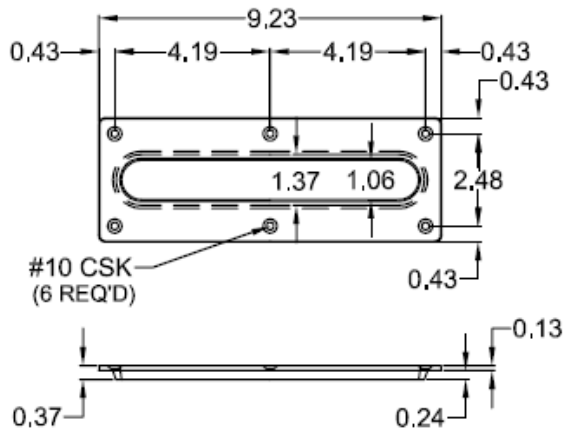
## FR0001



## FR0001 Seat-Belt Trim

- 1) Finish: Available polished or ball-burnished.
- 2) Use to trim around the cut-out needed or squad bench for the seat-belt strap.

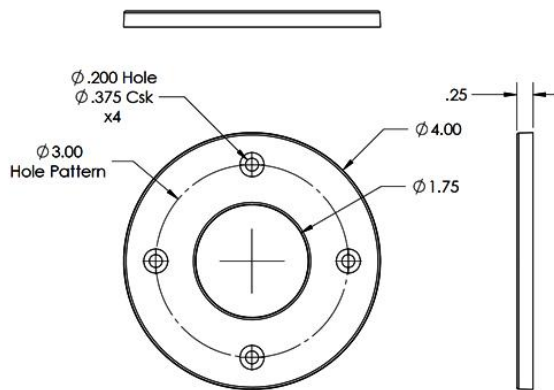
## FR0006



## FR0006 Slot Plate

- 1) Finish: Polished.

## FR0009

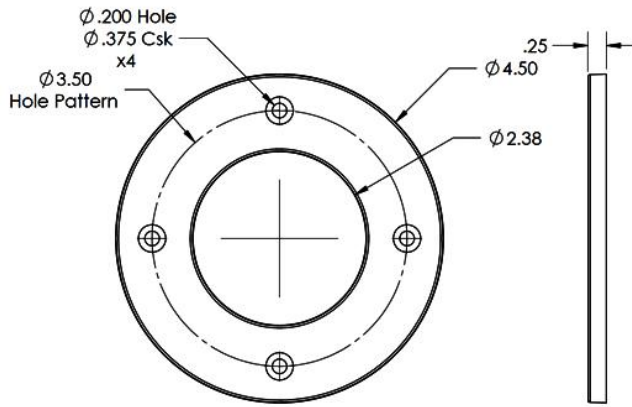


## FR0009 Flange Ring 1.75" ID x 4.0" OD

- 1) Finish: Polished exterior.



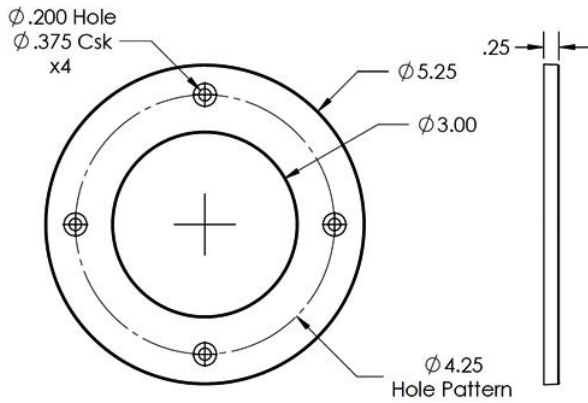
### FR0010



### FR0010 Flange Ring 2.38" ID x 4.50" OD

1) Finish: Polished exterior.

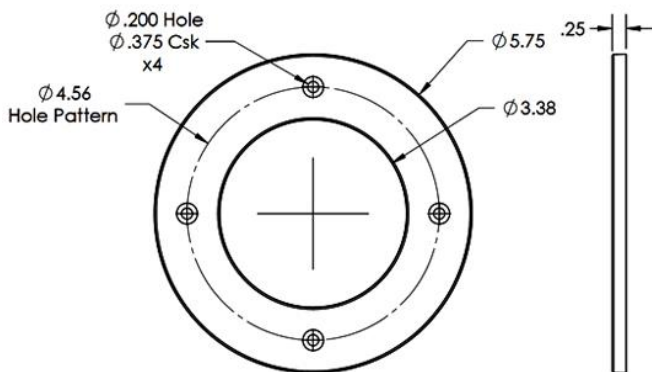
### FR0011



### FR0011 Flange Ring 3.0" ID x 5.25" OD

1) Finish: Polished exterior.

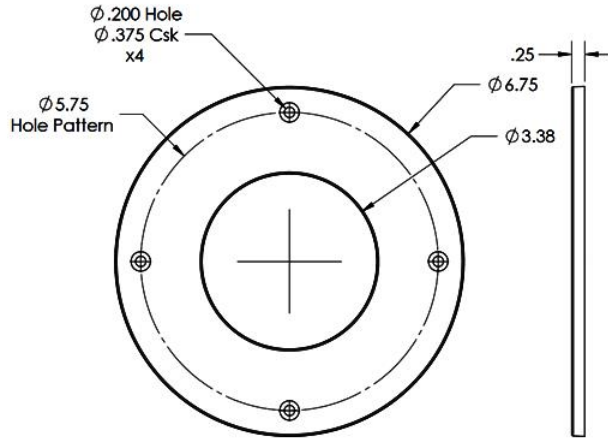
### FR0012



### FR0012 Flange Ring 3.38" ID x 5.75" OD

1) Finish: Polished exterior.

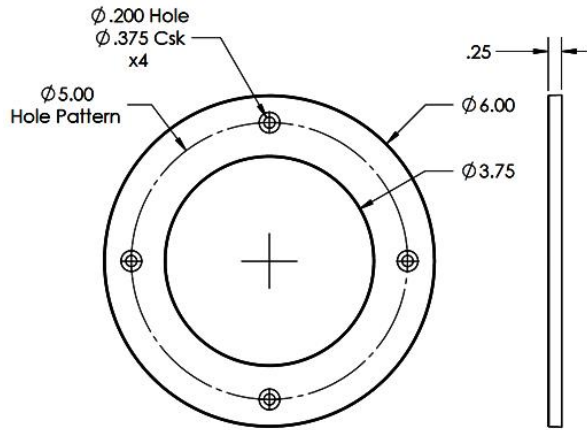
### FR0013



### FR0013 Flange Ring 3.38" ID x 6.75" OD

1) Finish: Polished exterior.

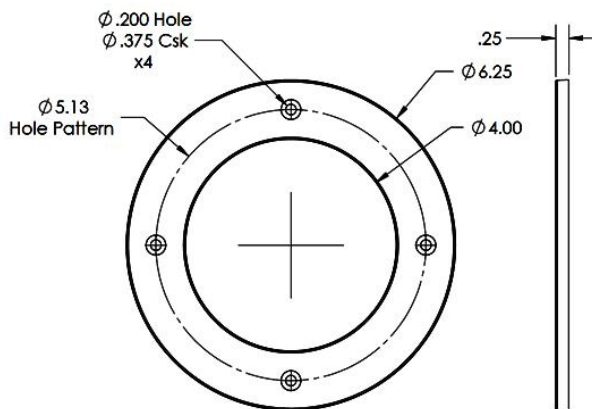
### FR0014



### FR0014 Flange Ring 3.75" ID x 6.0" OD

1) Finish: Polished exterior.

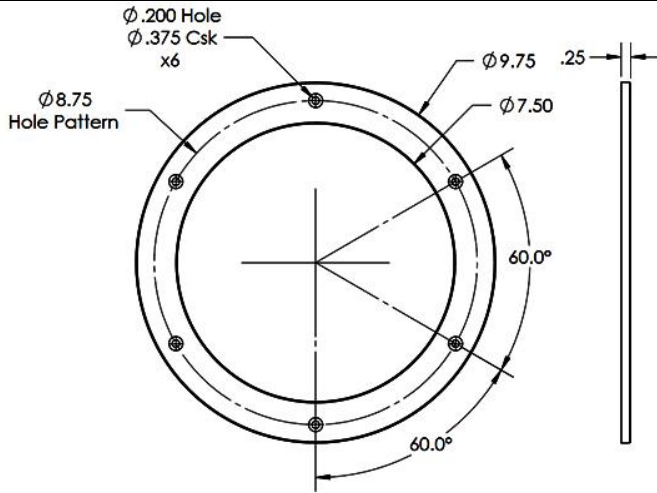
### FR0015



### FR0015 Flange Ring 4.0" ID x 6.25" OD

1) Finish: Polished exterior.

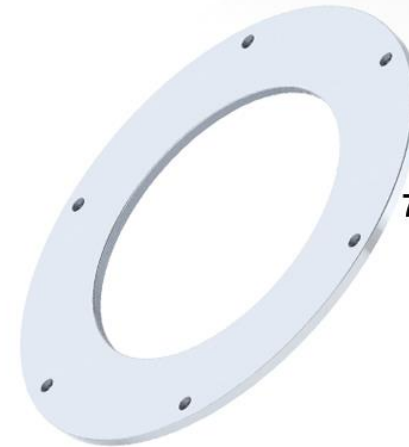
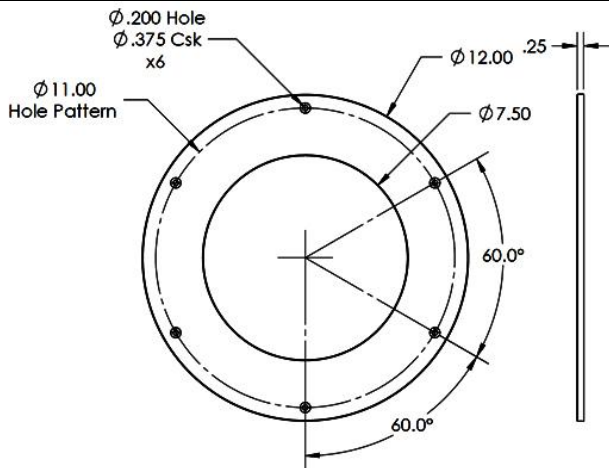
### FR0021



### FR0021 Flange Ring 7.50" ID x 9.75" OD

1) Finish: Polished exterior.

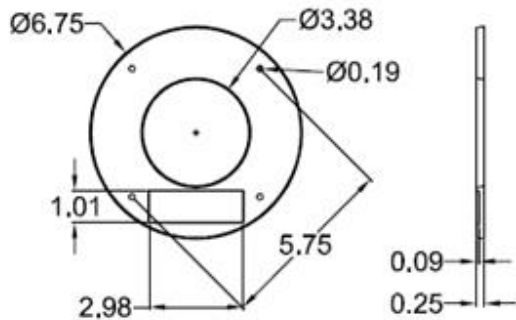
### FR0022



### FR0022 Flange Ring 7.50" ID x 12.0" OD

1) Finish: Polished exterior.

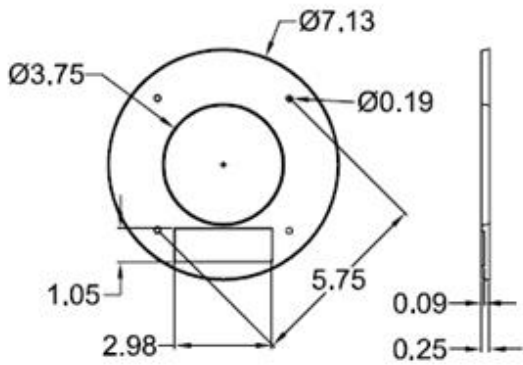
### FR0025



### FR0025 Flange Ring w/ Tag Recess (3 3/8" ID)

1) Finish: Polished.

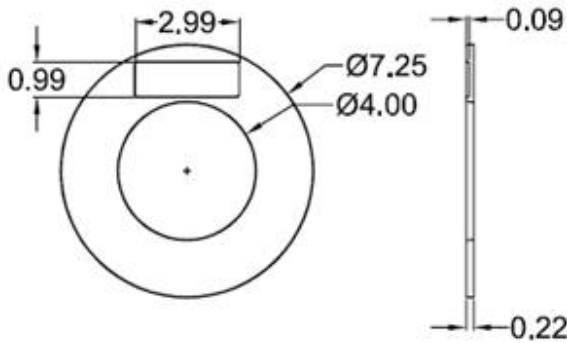
**FR0026**



**FR0026**  
**Flange Ring w/ Tag**  
**Recess (3 3/4" ID)**

1) Finish: Polished.

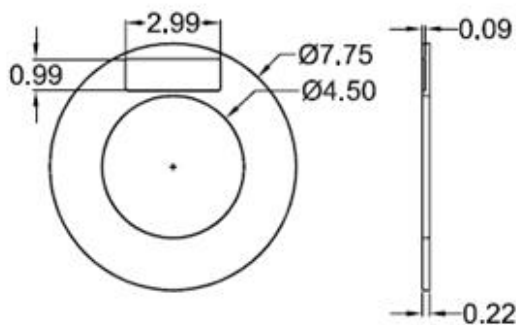
**FR0027**



**FR0027**  
**Flange Ring w/ Tag**  
**Recess (4" ID)**

1) Finish: Polished.

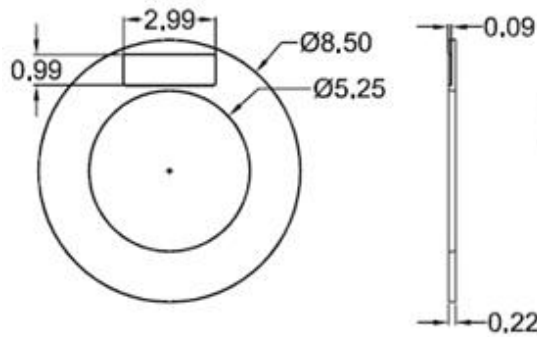
**FR0028**



**FR0028**  
**Flange Ring w/ Tag**  
**Recess (4 1/2" ID)**

1) Finish: Polished.

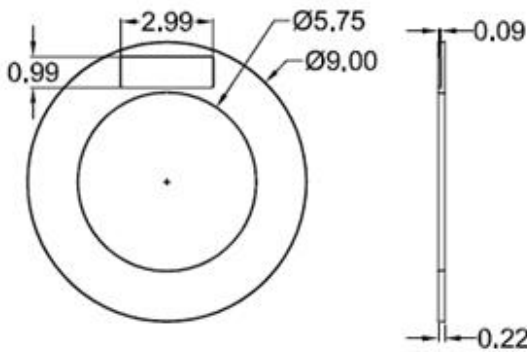
**FR0029**



**FR0029**  
**Flange Ring w/ Tag**  
**Recess (5 1/4" ID)**

1) Finish: Polished.

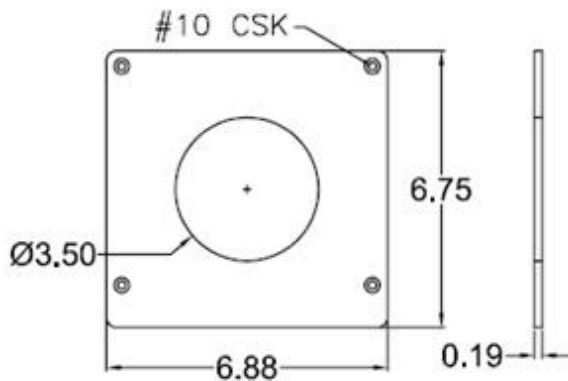
**FR0030**



**FR0030**  
**Flange Ring w/ Tag**  
**Recess (5 3/4" ID)**

1) Finish: Polished.

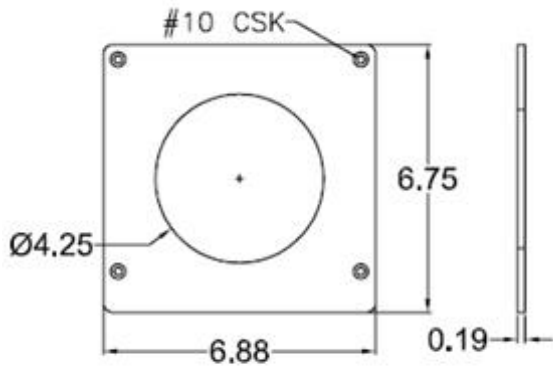
**FR0041**



**FR0041**  
**Gauge Trim**  
**3 1/2" I.D.**

1) Finish: Polished.

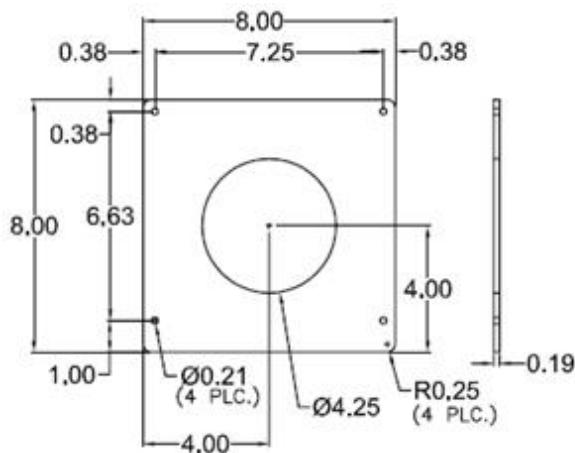
### FR0042



## FR0042 Gauge Trim 4 1/4" I.D.

1) Finish: Polished.

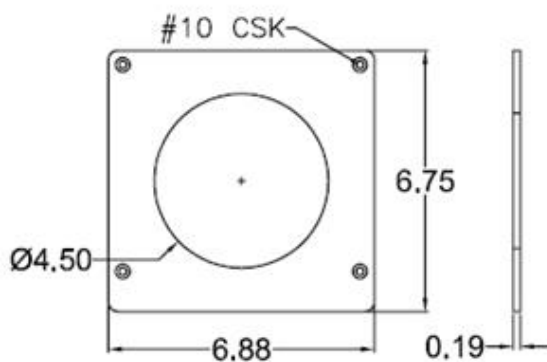
### FR0043



## FR0043 Gauge Trim 4 1/4" I.D.

1) Finish: Polished.

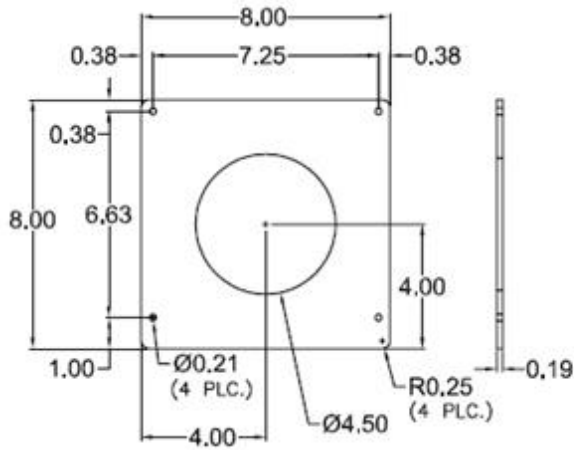
### FR0044



## FR0044 Gauge Trim 4 1/2" I.D.

1) Finish: Polished.

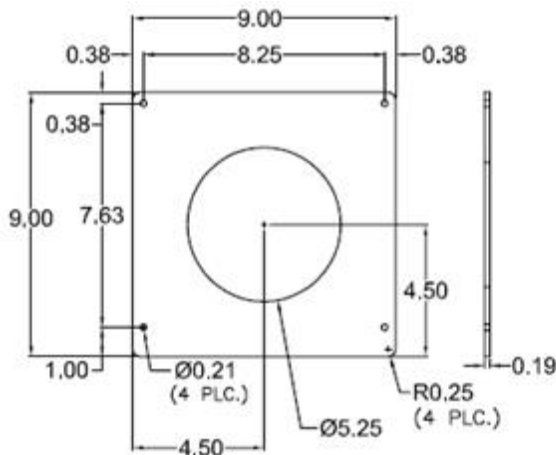
### FR0045



### FR0045 Gauge Trim 4 1/2" I.D.

1) Finish: Polished.

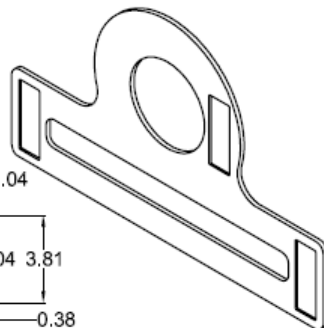
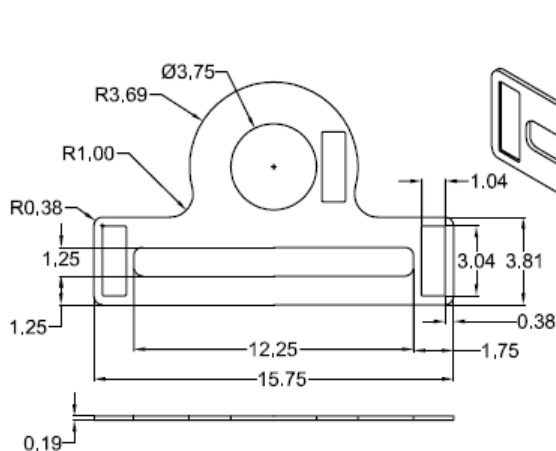
### FR0046



### FR0046 Gauge Trim 5 1/4" I.D.

1) Finish: Polished.

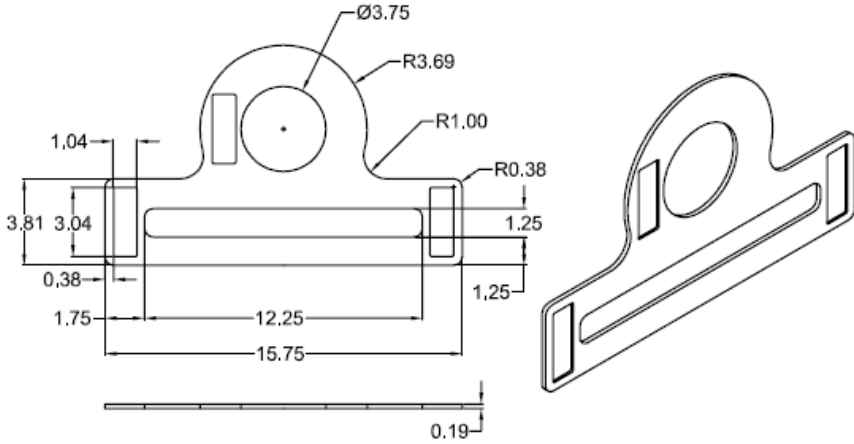
### FR0047



### FR0047 Pump Panel Trim w/ Tag Recess (Right Side)

1) Finish: Polished.  
2) Material: 6061-T6 Aluminum

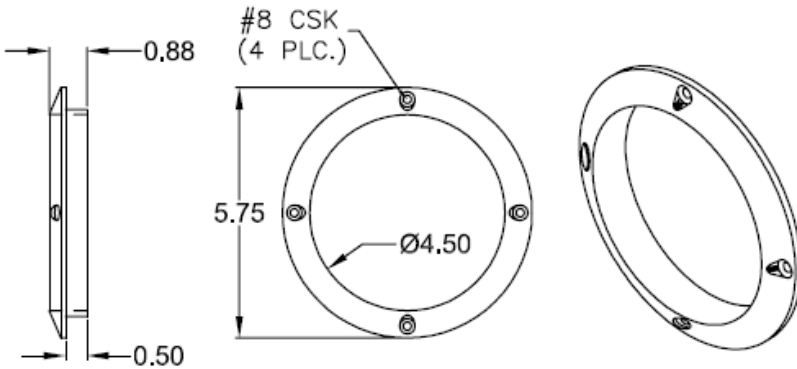
## FR0048



## FR0048 Pump Panel Trim w/ Tag Recess (Left Side)

- 1) Finish: Polished.
- 2) Material: 6061-T6 Aluminum

## FR0049



## FR0049 Oxygen Bottle Floor Trim Ring

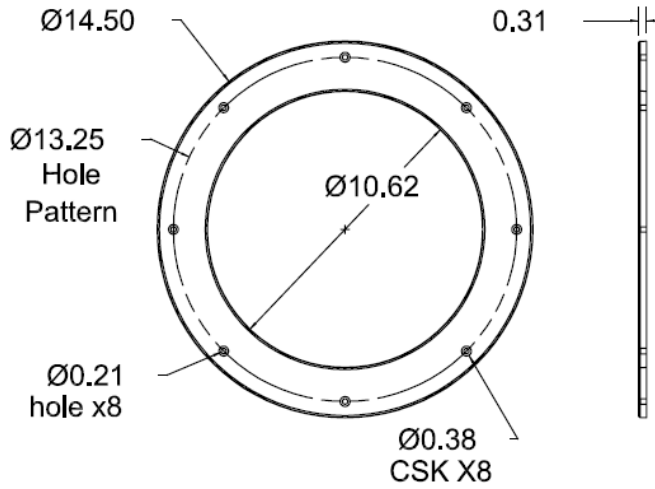
- 1) Finish: Polished.



**FR0051**

**FR0051**

**Flange Ring, 10.62 ID  
x 14.50 OD**



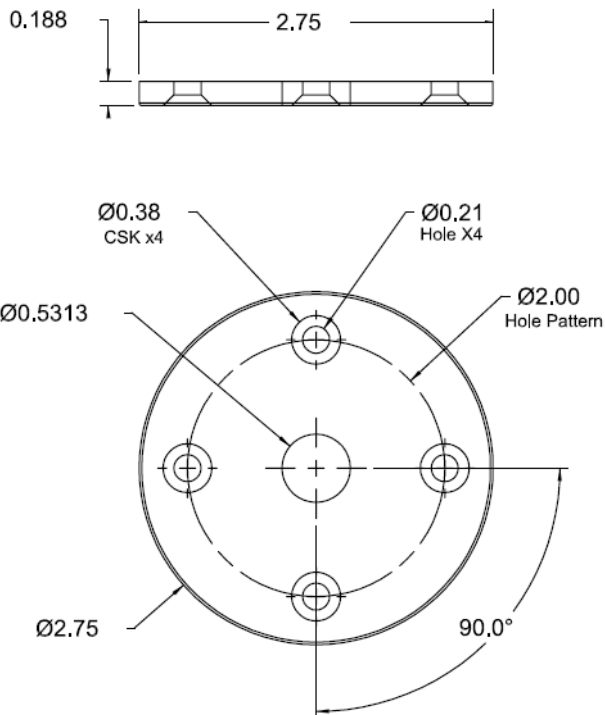
1) Finish: Polished.



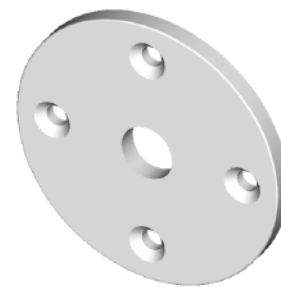
**FR0052**

**FR0052**

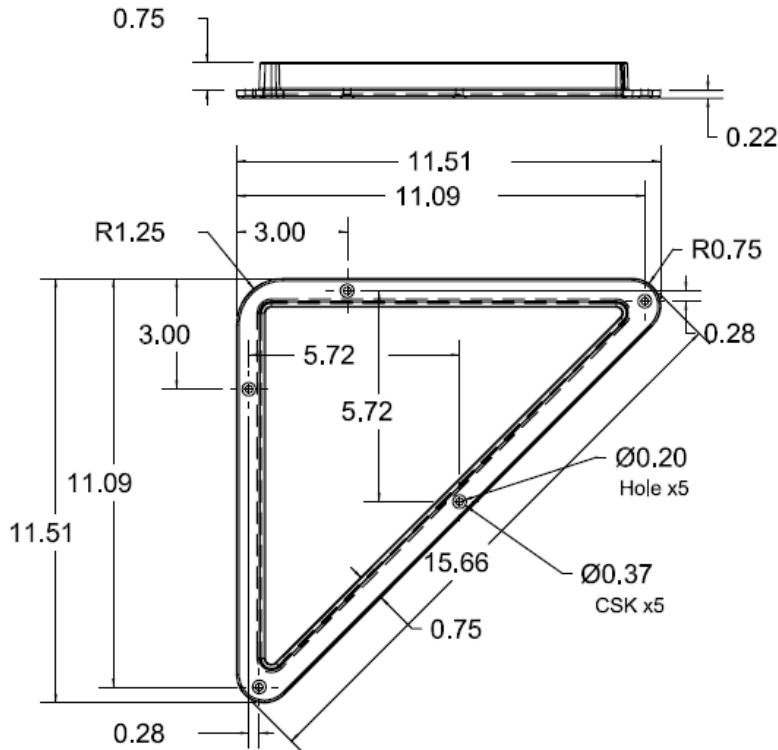
**Flange Ring, 2.75 OD  
x .53 ID**



1) Finish: Polished.  
2) Material: 6061-T6 Aluminum



**FR0054**

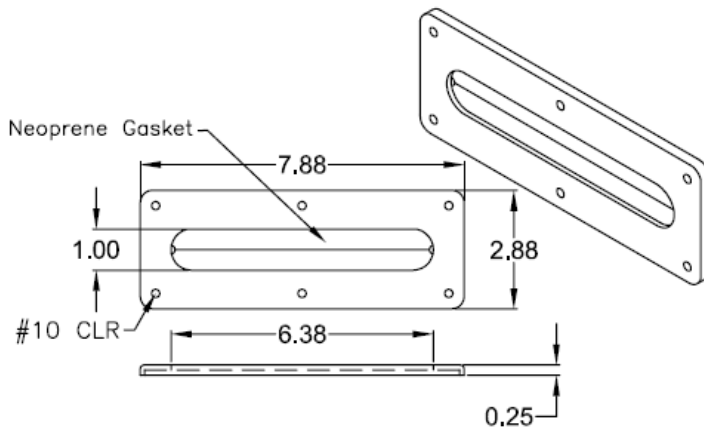


## FR0054 Wheel Chock Flange Trim

1) Finish: Polished.



**FR1004**



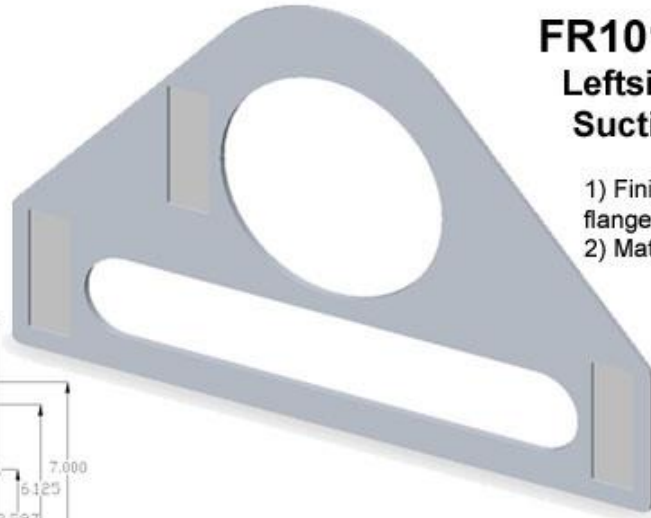
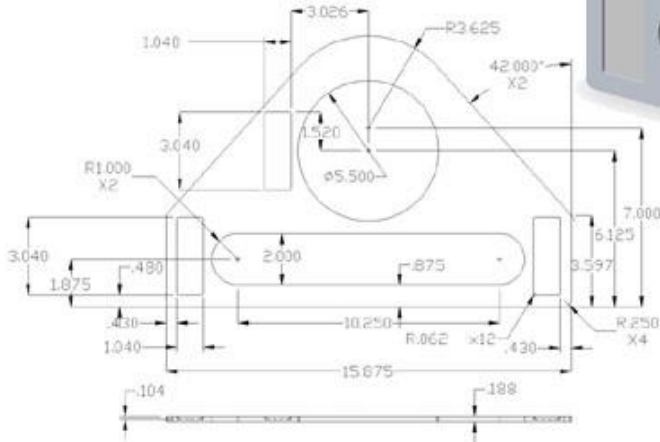
## FR1004 Slot Plate with Gasket (6 3/8" Inside Length)

1) Designed to use a single neoprene gasket (slit down the center) to "capture" the rod and seal around the rod handle.  
2) Finish: Polished or 120 grt directional ground. Neoprene gasket is black.

FR101294021

**FR101294021**  
**Leftside Panel**  
**Suction Ring**

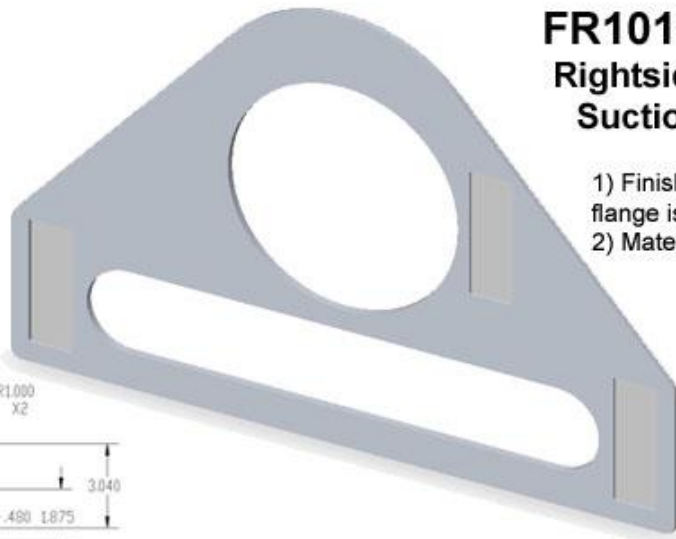
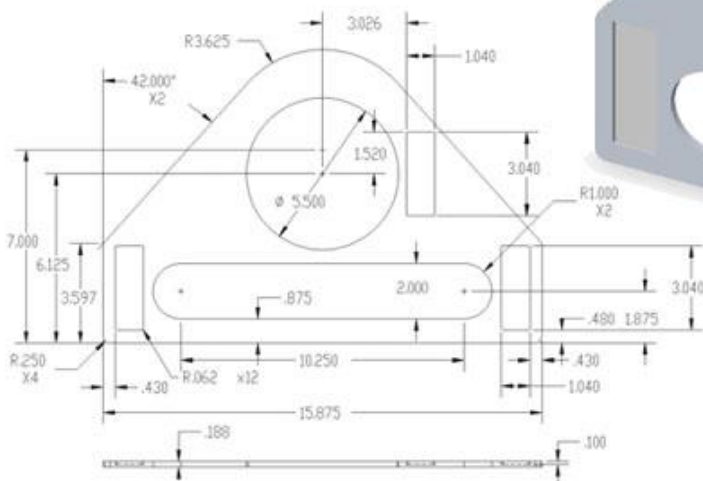
- 1) Finish: Exterior flange is polished.
- 2) Material: AL 6061



FR101294022

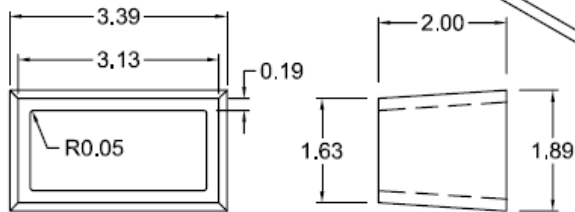
**FR101294022**  
**Rightside Panel**  
**Suction Ring**

- 1) Finish: Exterior flange is polished.
- 2) Material: AL 6061



**Flanges and Spacers**

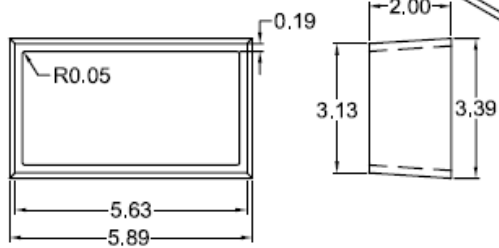
**FS0002**



## **FS0002 Small Cot Plate Spacer**

1) Finish: Wheel-a-brated.

**FS0003**



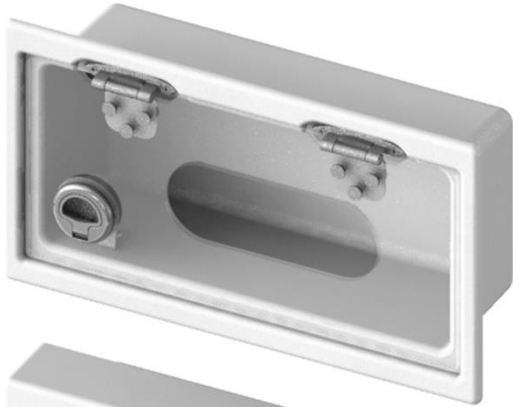
## **FS0003 Large Cot Plate Spacer**

1) Finish: Wheel-a-brated.

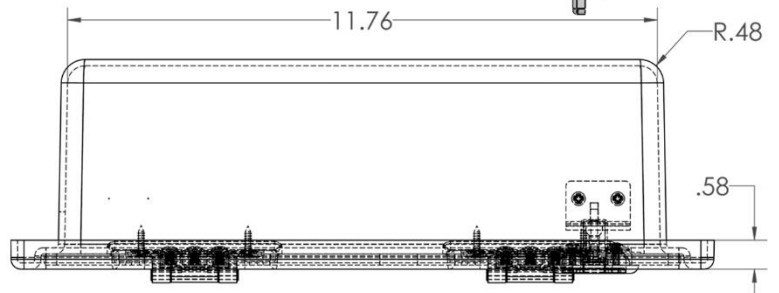
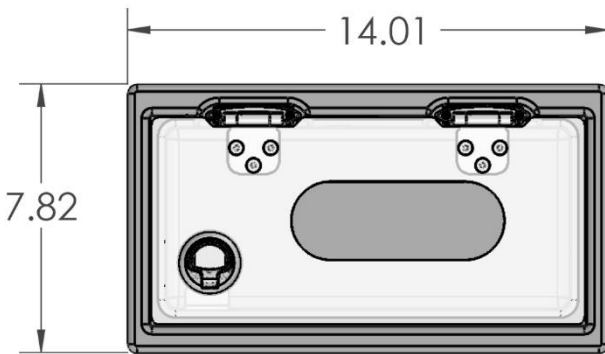
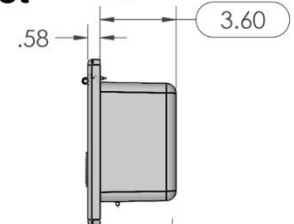
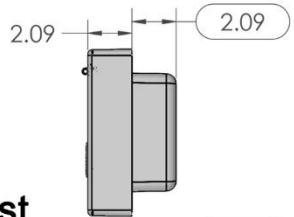
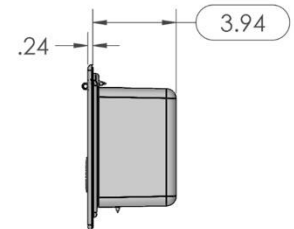
# Glove Boxes

**PL1015**

**PL1015-SGL-THIN-A-RHL or -B-LHL**  
**PL1015-SGL-DEEP-C-RHL or -D-LHL**  
**PL1015-SGL-580-E-RHL or F-LHL**  
**Drop-in Recessed Single Glove Box Holders**



- ✓ SAE J3058 Compliant
- ✓ Single, Double, and Triple Options
- ✓ Left and Right Hand Configurations
- ✓ Fits Virtually All Glove Box Footprints
- ✓ Adjustable Mounting Depths for Wall or Door Installation
- ✓ Marine Grade Acrylic Capped ABS Box
- ✓ Clear or Tinted Plexiglass Lid with Rounded Edges
- ✓ Stainless Steel Hardware
- ✓ Less Costly Than Other Methods of Manufacturing
- ✓ White Box is Standard – Custom Colors Upon Request
- ✓ Depth dimensions are the same for single, double and triple options



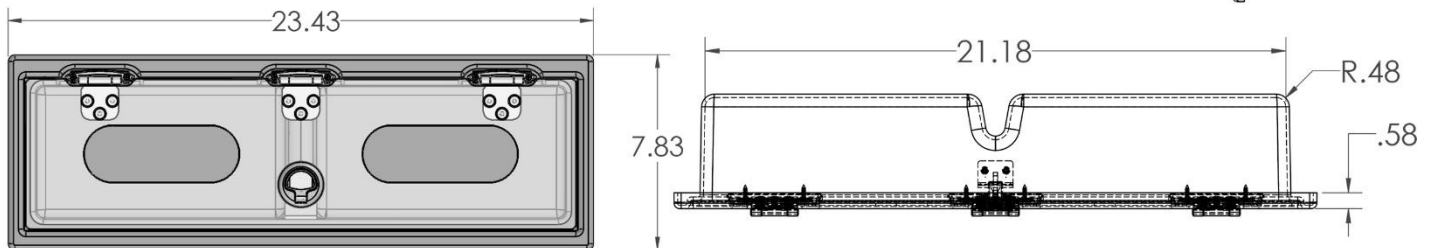
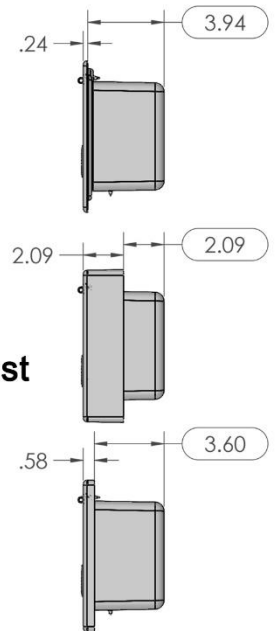
PL1016

PL1016-DBL-THIN-A  
PL1016-DBL-DEEP-B  
PL1016-DBL-580-C

Drop-in Recessed Double Glove Box  
Holders



- ✓ SAE J3058 Compliant
- ✓ Single, Double, and Triple Options
- ✓ Fits Virtually All Glove Box Footprints
- ✓ Adjustable Mounting Depths for Wall or Door Installation
- ✓ Marine Grade Acrylic Capped ABS Box
- ✓ Clear or Tinted Plexiglass Lid with Rounded Edges
- ✓ Stainless Steel Hardware
- ✓ Less Costly Than Other Methods of Manufacturing
- ✓ White Box is Standard – Custom Colors Upon Request
- ✓ Depth dimensions are the same for single, double and triple options

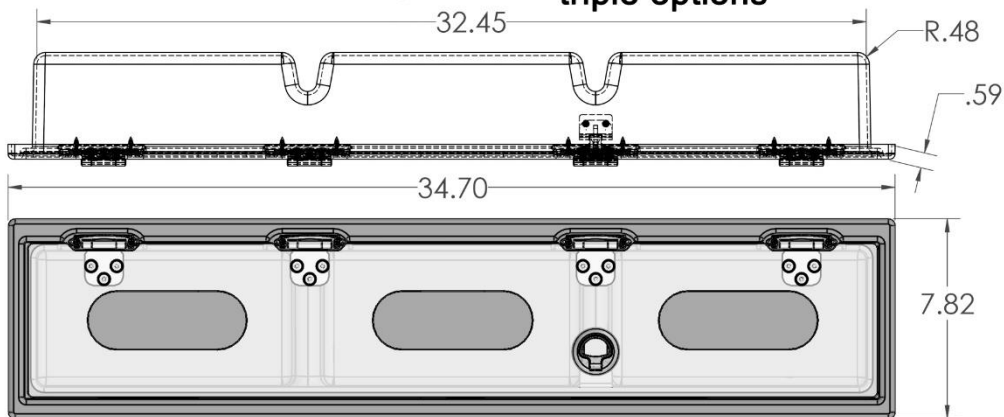
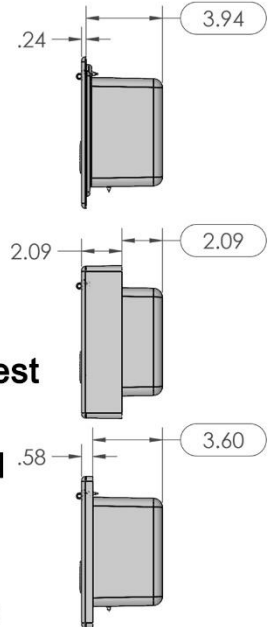


PL1017

PL1017-TPL-THIN-A-RHL  
PL1017-TPL-DEEP-B-RHL  
PL1017-TPL-580-C-RHL  
Drop-in Recessed Triple Glove Box  
Holders

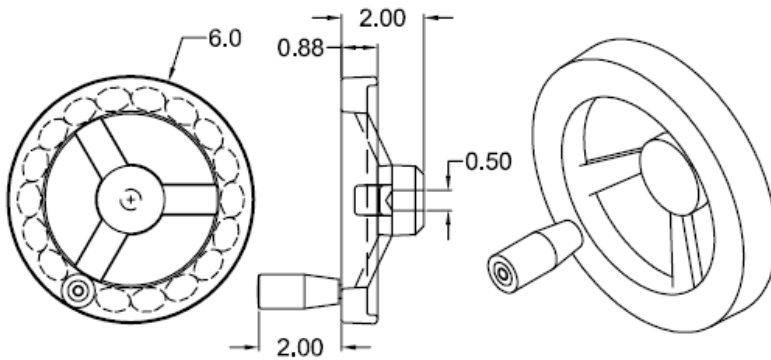


- ✓ SAE J3058 Compliant
- ✓ Single, Double, and Triple Options
- ✓ Fits Virtually All Glove Box Footprints
- ✓ Adjustable Mounting Depths for Wall or Door Installation
- ✓ Marine Grade Acrylic Capped ABS Box
- ✓ Clear or Tinted Plexiglass Lid with Rounded Edges
- ✓ Stainless Steel Hardware
- ✓ Less Costly Than Other Methods of Manufacturing
- ✓ White Box is Standard – Custom Colors Upon Request
- ✓ Depth dimensions are the same for single, double and triple options



# Handles

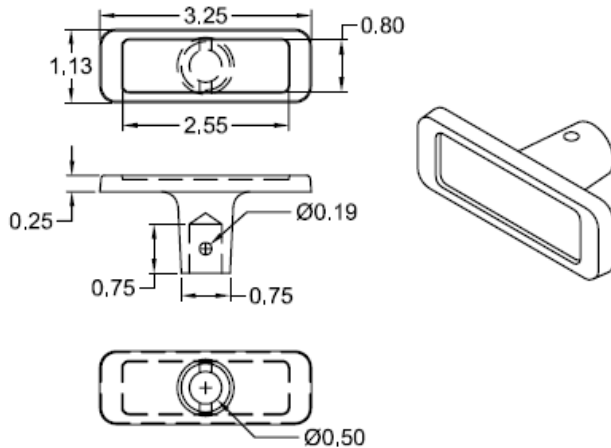
**HD0002**



## HD0002 6" Wheel Handle with Swivel Handle

- 1) Finish: Polished with bead-blasted interior.
- 2) Customer specify rod diameter hole (supplied standard with .50" hole).
- 3) Customer specify with #1/4-20 or #5/16" set screw.

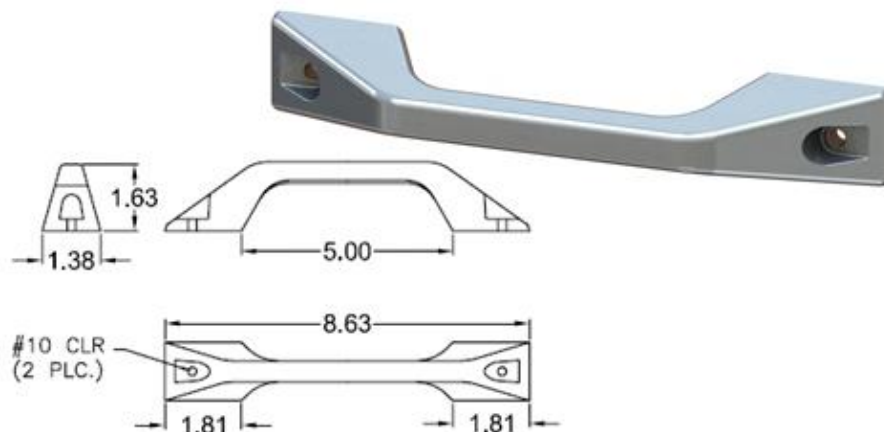
**HD0005**



## HD0005 Drain "T" Handle w/ Tag Recess

- 1) Finish: Polished

**HD0007**

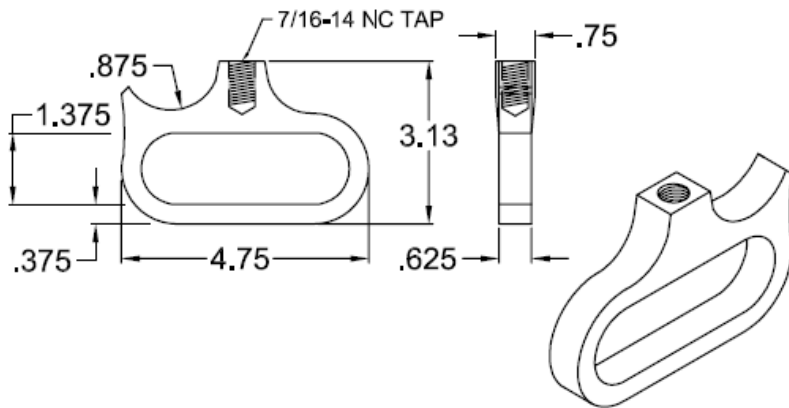


## HD0007 Grab Handle

- 1) Finish: Polished or wheel-a-brated.



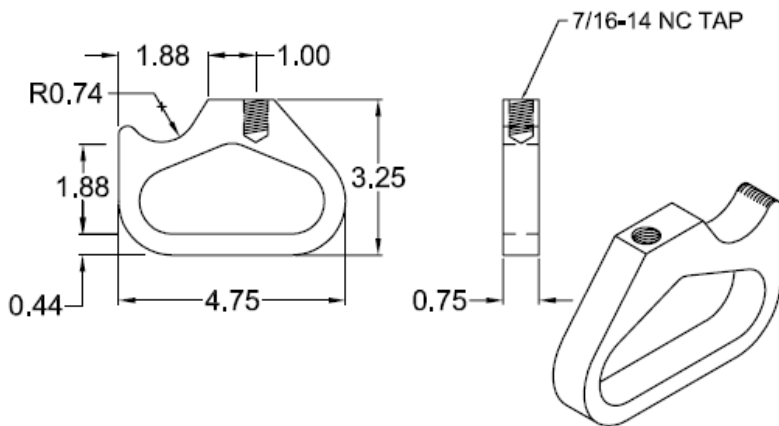
**HD0008**



## HD0008 Ladder Bracket Handle

1) Finish: Polished

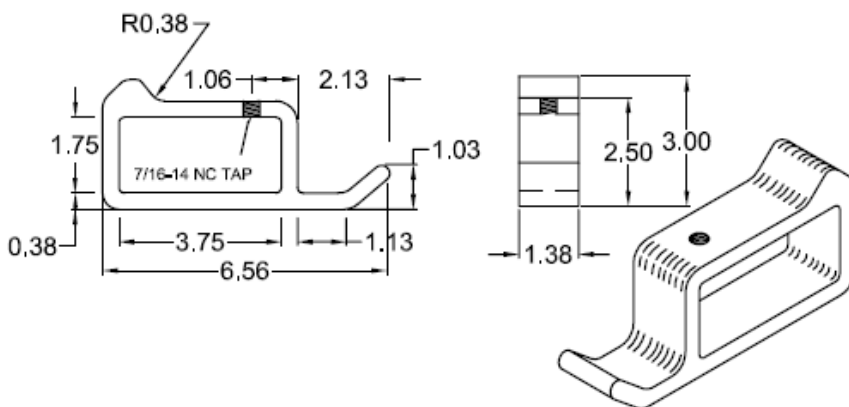
**HD0009**



## HD0009 Ladder Bracket Handle

1) Finish: Polished

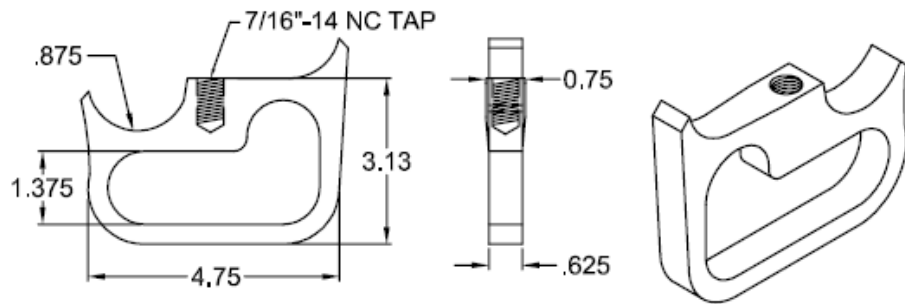
**HD0010**



## HD0010 Ladder Bracket Handle

1) Finish: Polished

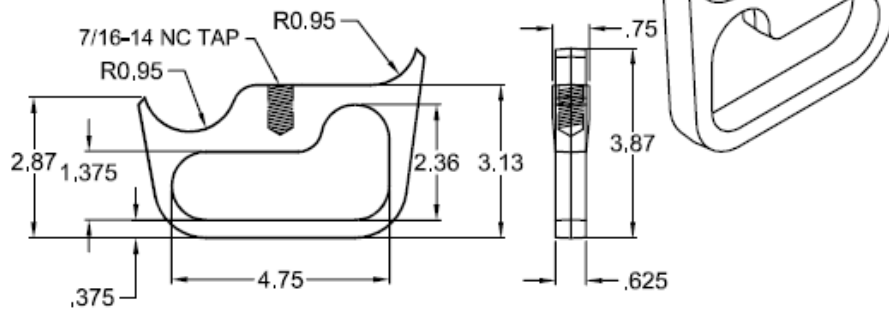
**HD0011**



# HD0011 Ladder Bracket Handle (2 Step)

1) Finish: Polished

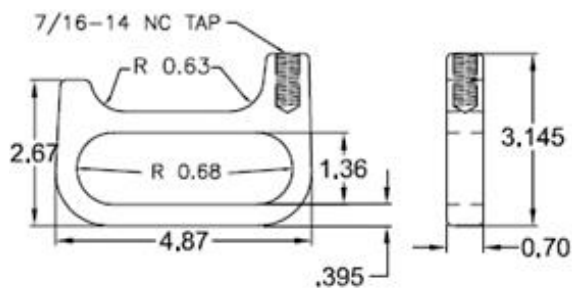
**HD0012**



# HD0012 Ladder Bracket Handle (2 Step)

1) Finish: Polished.

**HD0013**

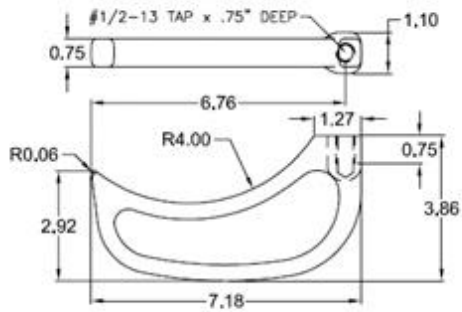


# HD0013 Ladder Lock Handle

1) Finish: Polished.



**HD0015**

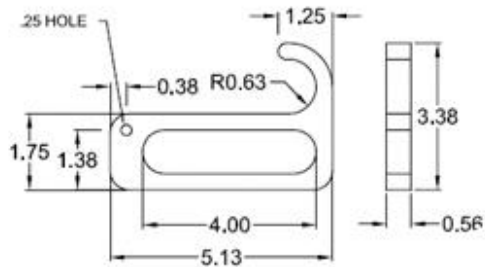


**HD0015**

**Hose Trough Handle**

1) Finish: Polished.

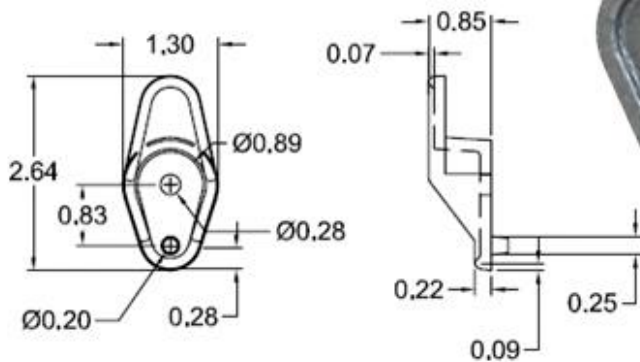
**HD0016**



**HD0016**  
**Suction Hose Hold  
Down Handle**

1) Finish: Polished.

**HD0019**

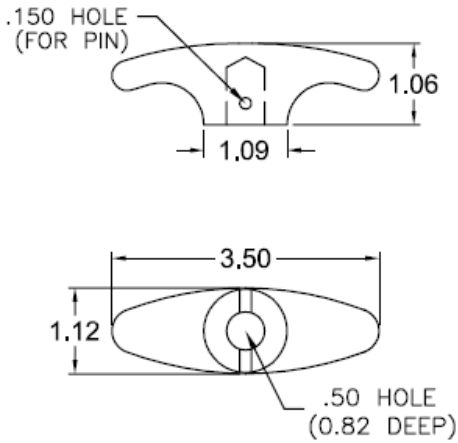


**HD0019**

**Tarp Tie-down  
Bracket**

1) Finish: Ball-burnished.

**HD0020**

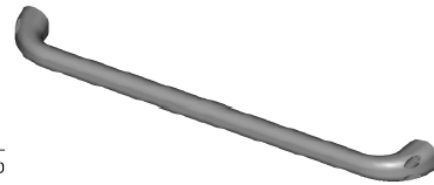
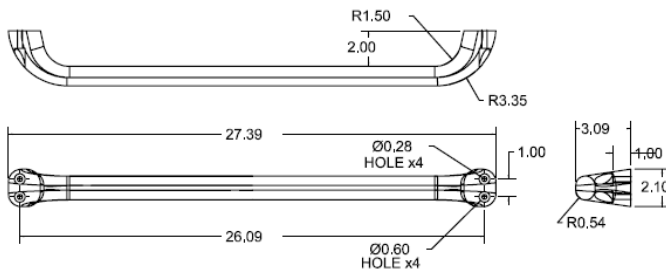


**HD0020**

**"T" Handle**

1) Finish: Ball-burnished.

**HD0022**

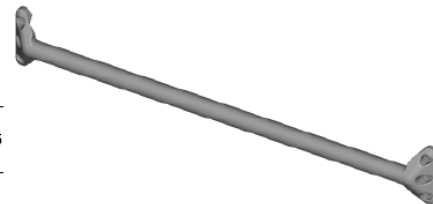
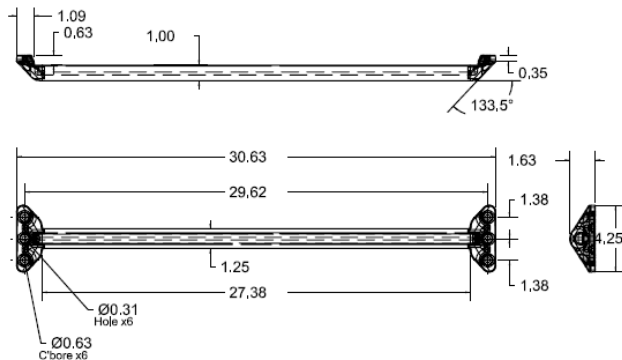


**HD0022**

**Grab Handle -  
26.00" CTC**

1) Finish: Painted Black

**HD0027**



**HD0027**

**Grab Handle -  
29.62" CTC**

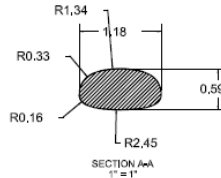
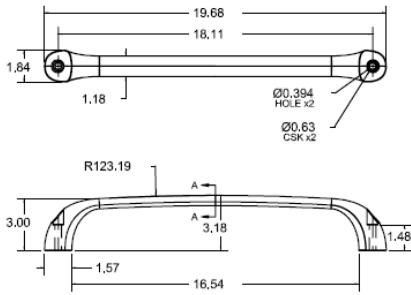
1) Finish: Painted Black

**HD0028**

**HD0028**

**Grab Handle -  
18.11" CTC**

1) Finish: Painted Black

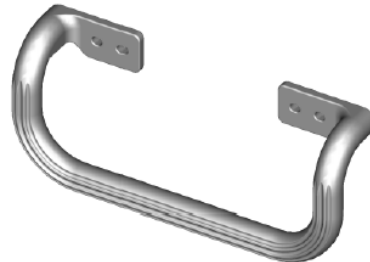
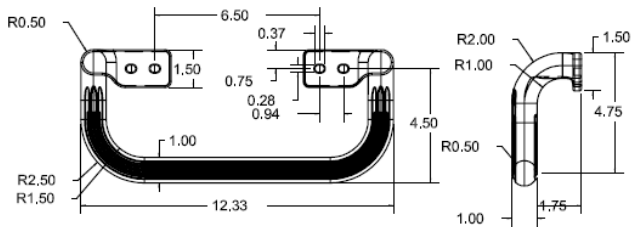
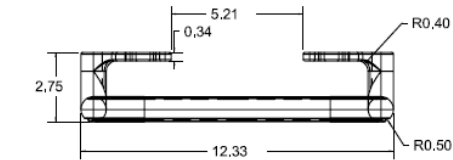


**HD0029**

**HD0029**

**Small "D" Grab  
Handle**

1) Finish: Painted Black

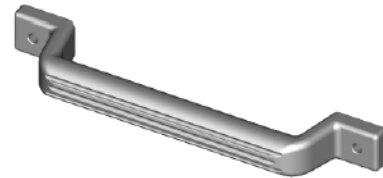
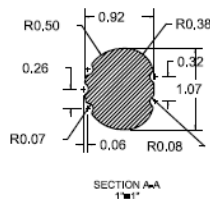
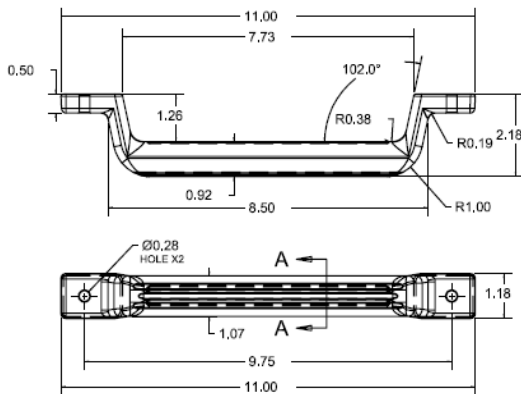


**HD0030**

**HD0030**

**Short Grab Handle  
9.75" CTC**

1) Finish: Painted Black

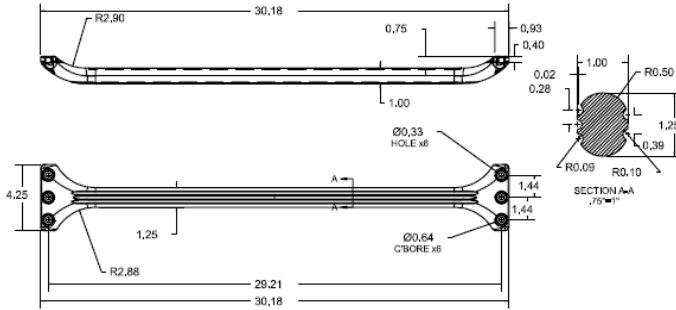


**HD0031**

**HD0031**

**Grab Handle -  
29.21" CTC**

1) Finish: Painted Black

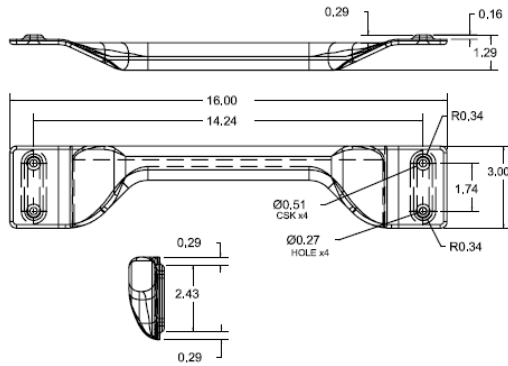


**HD0035**

**HD0035**

**Door Pull  
Handle**

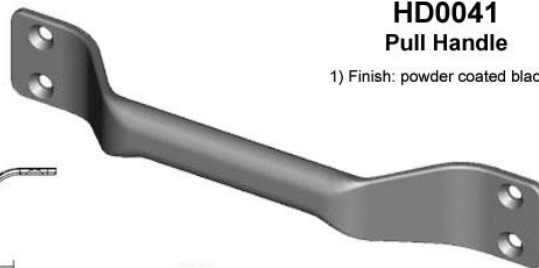
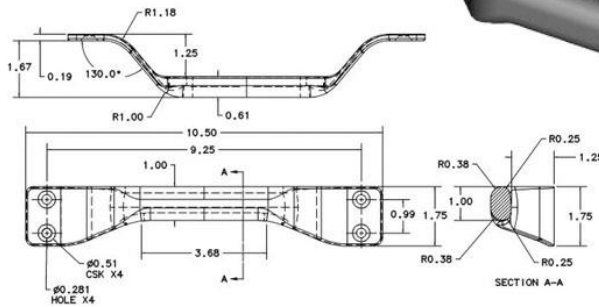
1) Finish: Painted Black



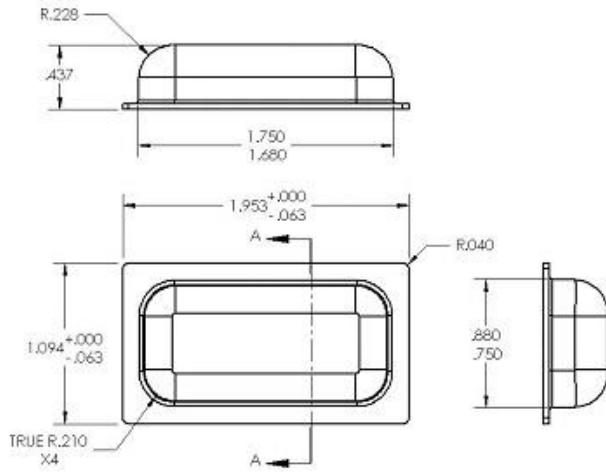
**HD0041**

**HD0041**  
**Pull Handle**

1) Finish: powder coated black.



## HD0045



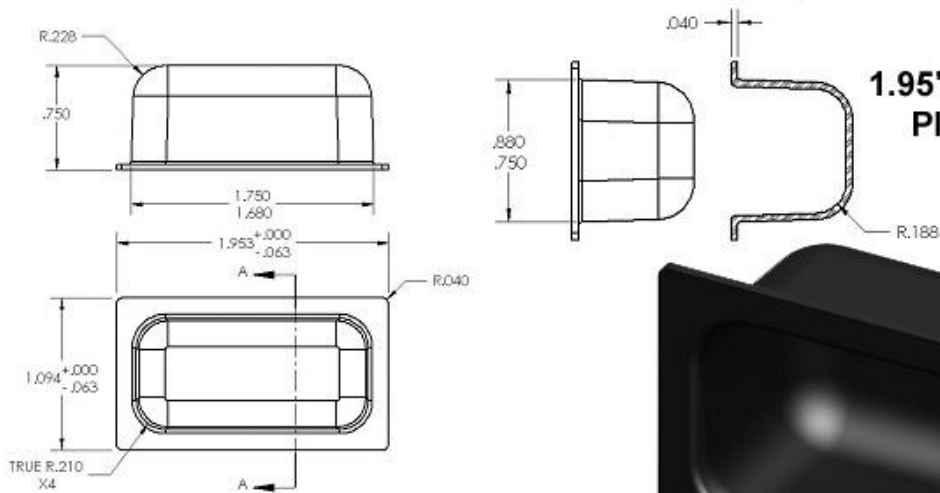
## HD0045

1.95" X 1.09" x .437" deep, Strike Plate Pocket (ABS Plastic)

1) Plastic Injection Molded



## HD0046



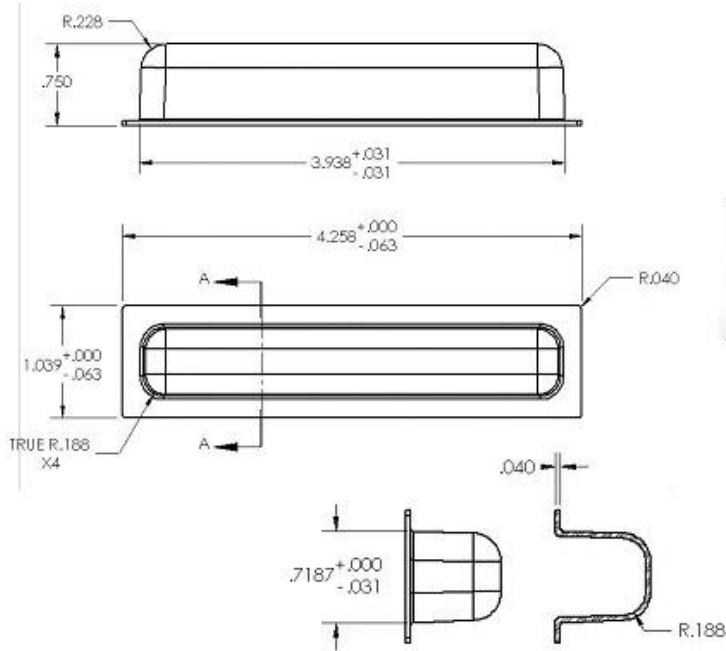
## HD0046

1.95" X 1.09" x .75" deep, Strike Plate Pocket (ABS Plastic)

1) Plastic Injection Molded



# HD0047

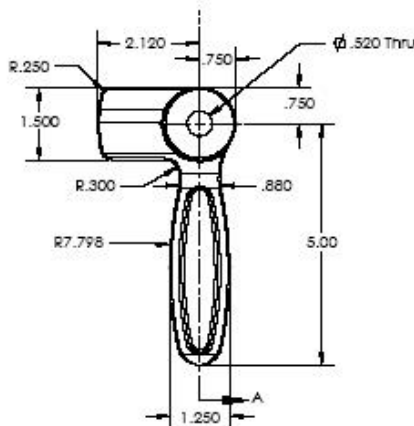


## HD0047 4.25" X 1.03" x .75" deep, Ramp Door Latch Pocket (ABS Plastic)

1) Plastic Injection Molded



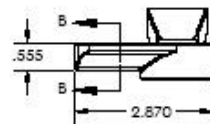
# HD0050 HD0051



## HD0050 & HD0051 Cam Lock Handles



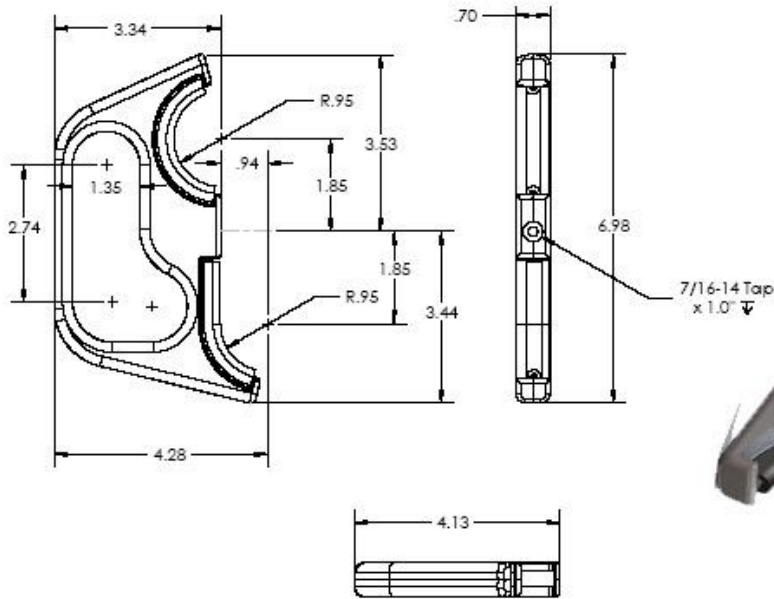
- 1) Finish: Polished or Ball-burnished.
- 2) HD0050 Lefthand handle show.  
HD0051 Righthand handle is opposite.







### HD4001-1

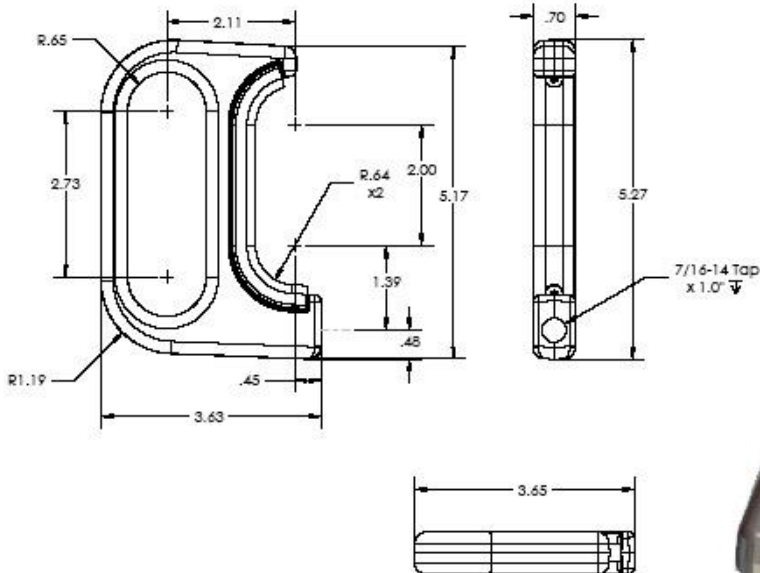


### HD4001-1 2 Step Ladder Bracket w/ Rubber Trim-Lock Strips

- 1) Finish: Exterior surfaces are polished
- 2) Use Trim-Lock Padding for ladder rung contact



### HD4002-1



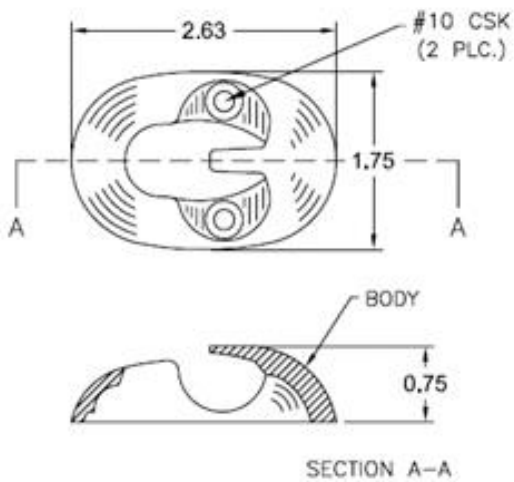
### HD4002-1 Ladder Bracket Handle for Rubber Trim-Lock Strip

- 1) Finish: Exterior surfaces are polished
- 2) Use Trim-Lock Padding for ladder rung contact



## IV Hangers

## IV2001

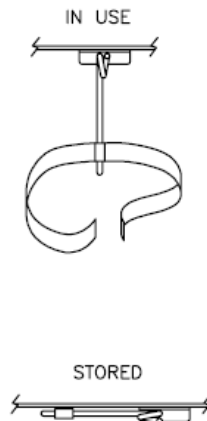
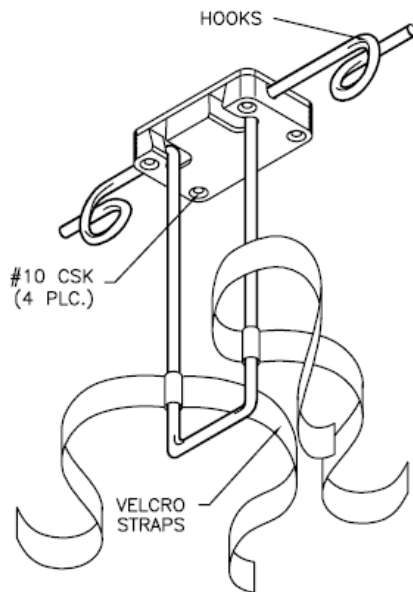


## IV2001

### I.V. Hook

- 1) Finish: Bright Polished.
- 2) Low silhouette with smooth, round surfaces to minimize the possibility of head injury. Hang IV Bag with one hand using thumb to actuate button.
- 3) High strength aluminum alloy 713. Can be ceiling or wall mounted. No clearance holes needed for installation.

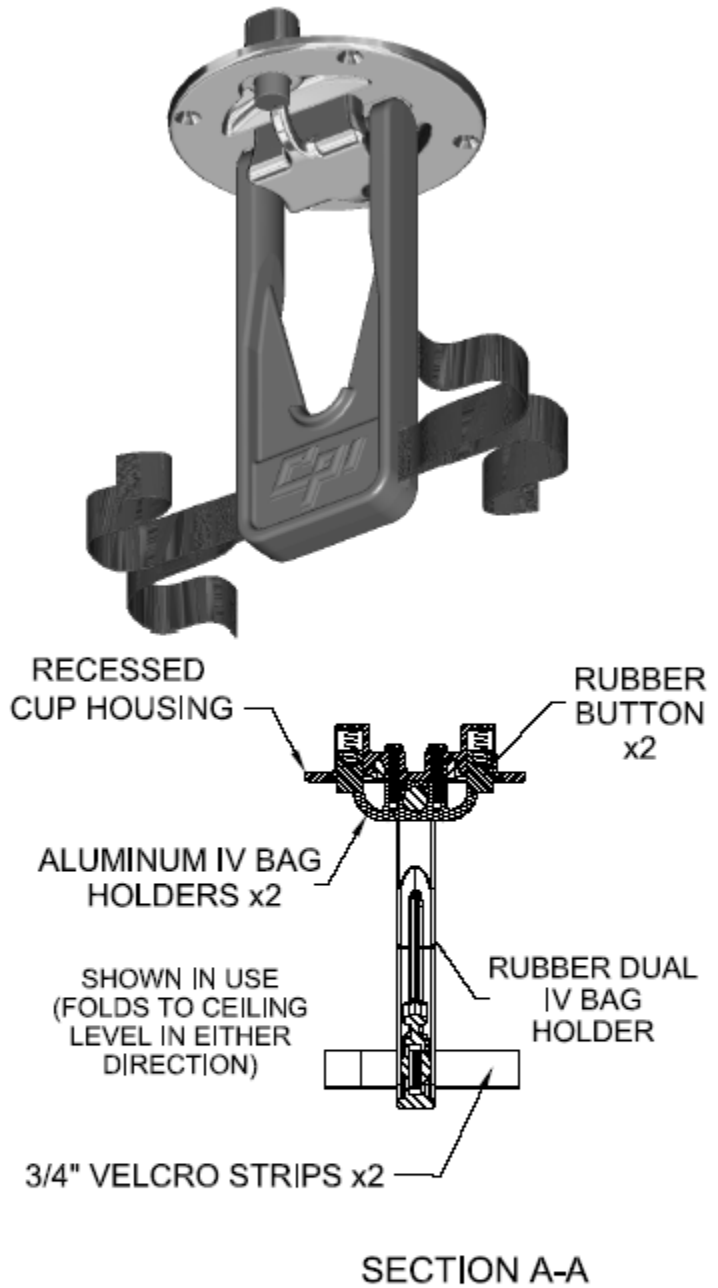
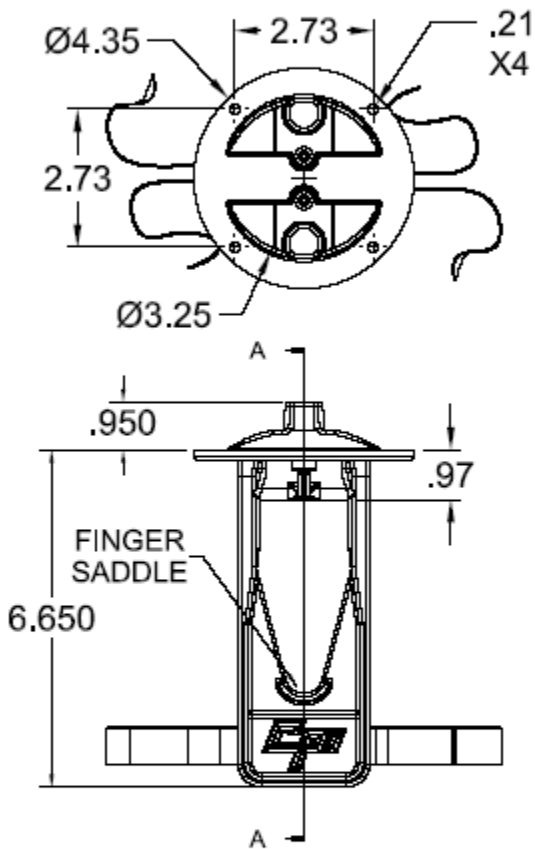
## IV2002



## IV2002

### I.V. Hanger

- 1) Positive retention in both the stored and in use positions.
- 2) Material: Body made of cast aluminum. Hooks and stanchion made of 1/4" 6061-T6 Aluminum rod.
- 3) Designed for use with 500 or 1000 cc IV bags or bottles.
- 4) Finish: Bright polished.



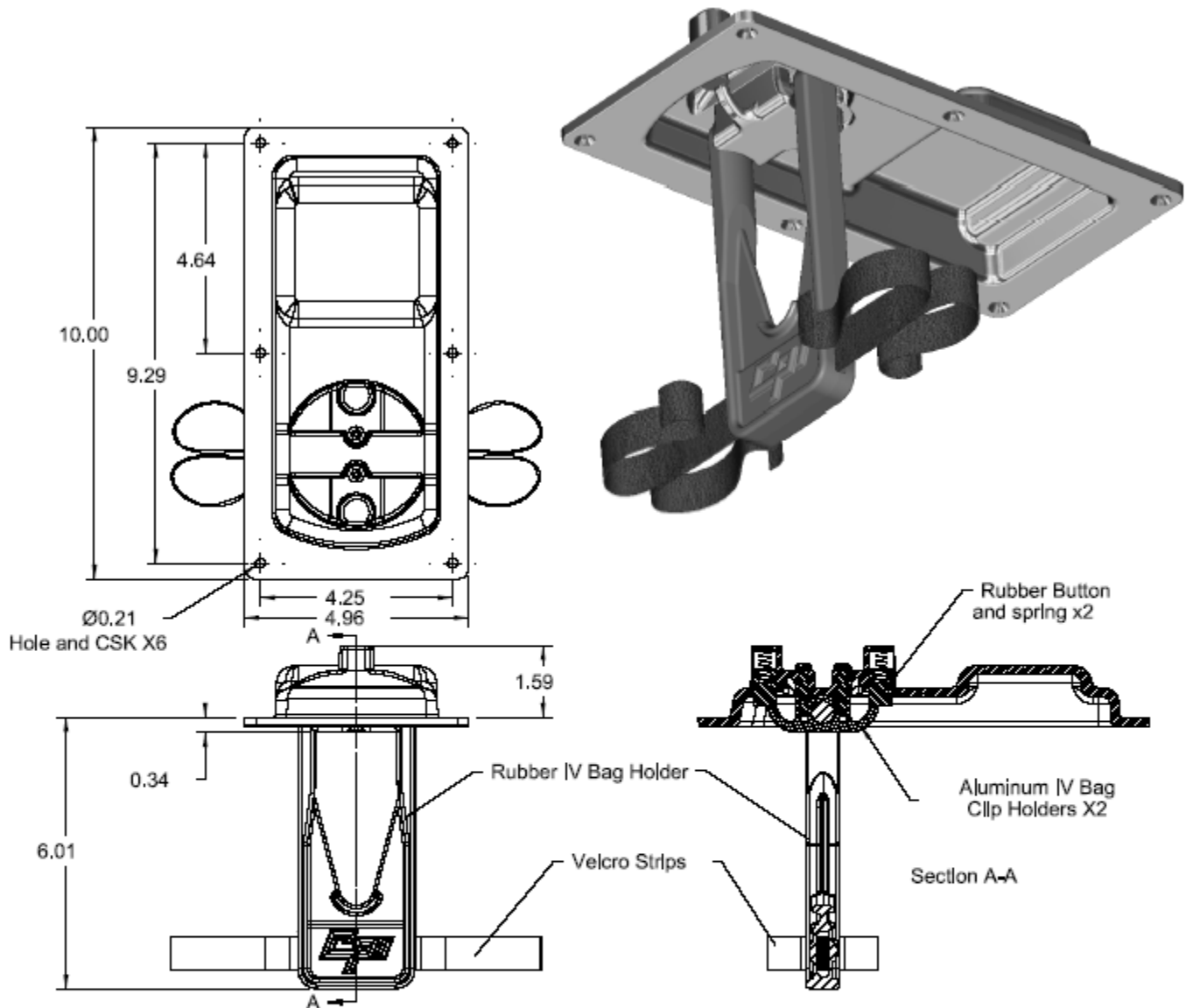
SECTION A-A

## IV2007

### Dual IV Hanger Assembly w/ Velcro (No Injury - Ceiling Mount)

- 1) Finish: Cup Housing and Aluminum IV Bag Clip Holders are polished. Rubber IV Bag Buttons, Rubber Dual IV Bag Holder and Velcro Strips are natural Black.
- 2) IV Bag Holder can be put away to the ceiling level in either direction.
- 3) IV Hanger assembly does not protrude more than 1", in use, or stored.

## IV2008



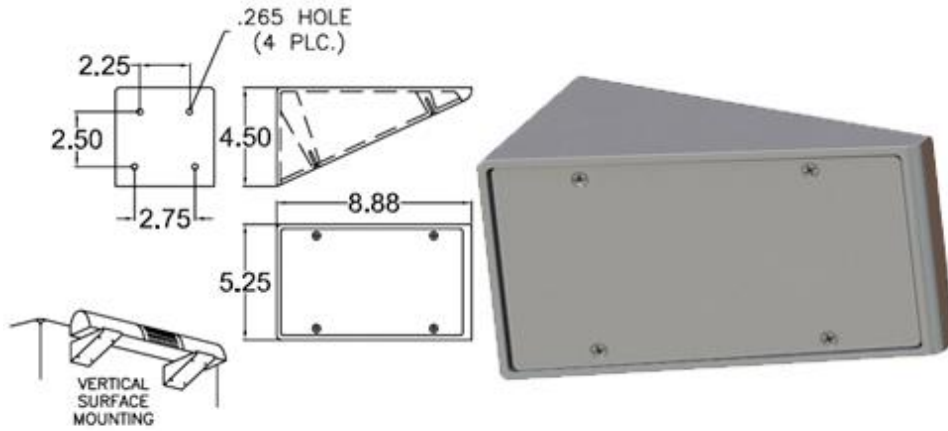
## IV2008

### Dual IV Hanger Assembly w/ Velcro (No Injury - Ceiling Mount)

- 1) Finish: Rectangular Housing and Aluminum IV Bag Clip Holders are polished. Rubber IV Bag Buttons, Rubber Dual IV Bag Holder and Velcro Strips are natural Black.
- 2) IV Bag Holder can be put away into the recessed area of the casting.
- 3) IV Hanger assembly does not protrude more than 1", in use, or stored.

## Light Bar Brackets

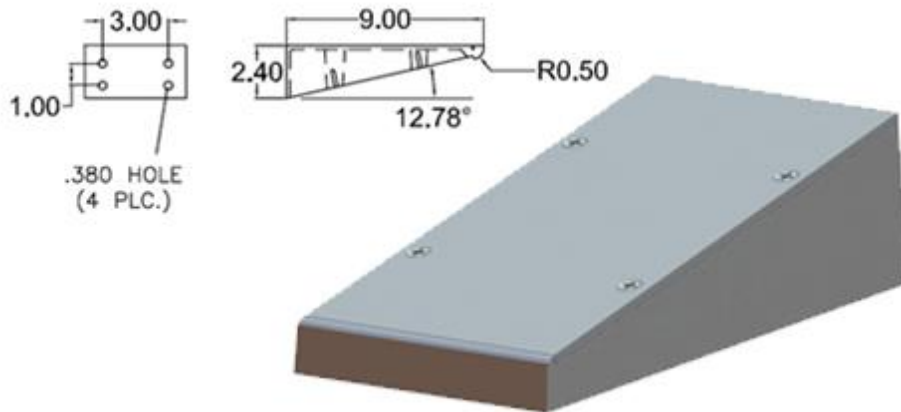
## LB0004



## LB0004 Light Bar Bracket

- 1) Finish: 120 grit ground for painting.
- 2) Shipped with cover installed.

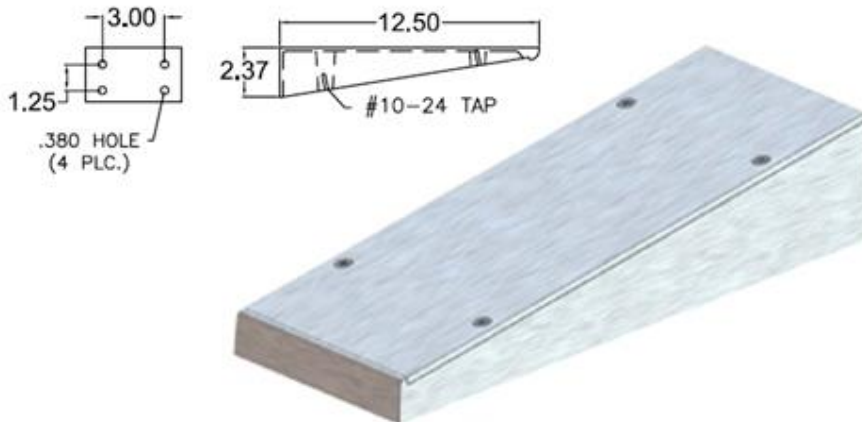
## LB0005



## LB0005 Light Bar Bracket

- 1) Finish: 120 grit ground for painting.
- 2) Shipped with cover installed.

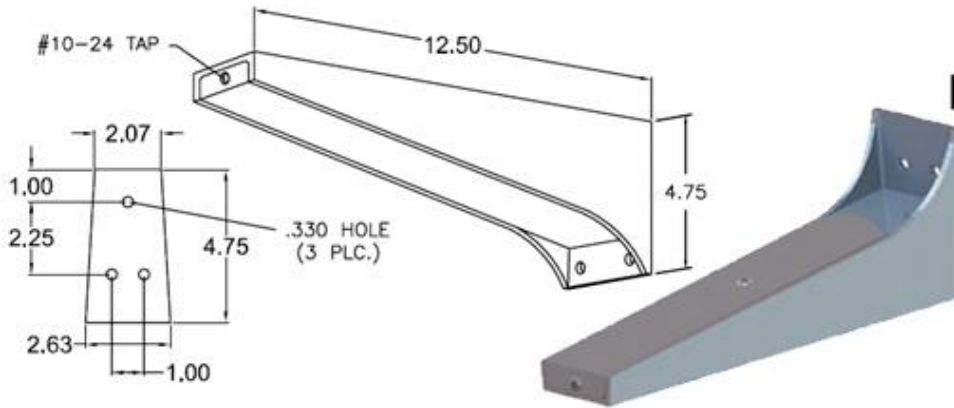
## LB0006



## LB0006 Light Bar Bracket

- 1) Finish: 120 grit ground for painting.
- 2) Shipped with cover installed.

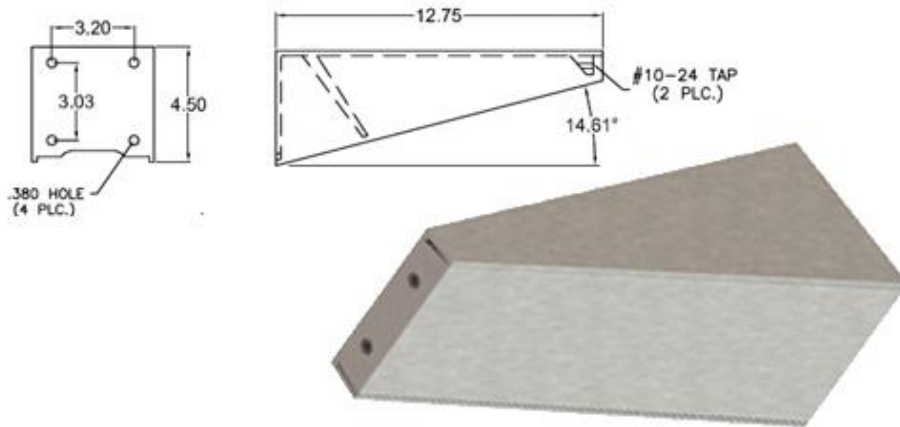
## LB0011



## LB0011 Light Bar Bracket

- 1) Finish: 120 grit ground for painting.
- 2) Shipped with cover installed.

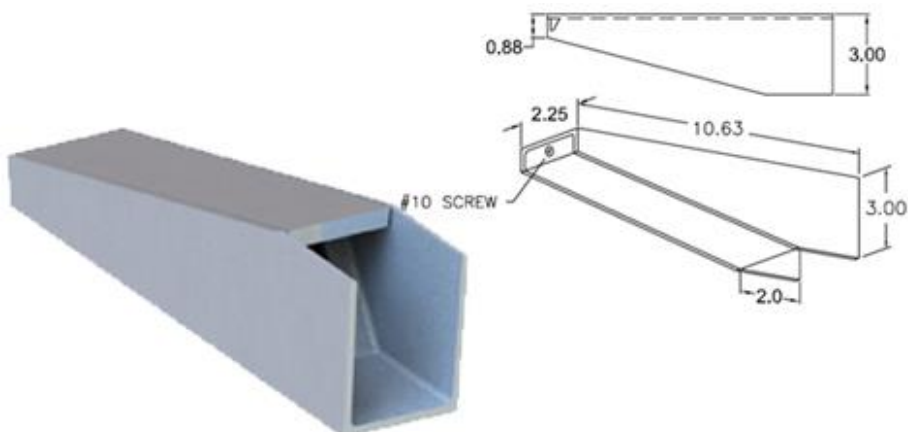
## LB0013



## LB0013 Light Bar Bracket

- 1) Finish: 120 grit ground for painting.
- 2) Shipped with cover installed.

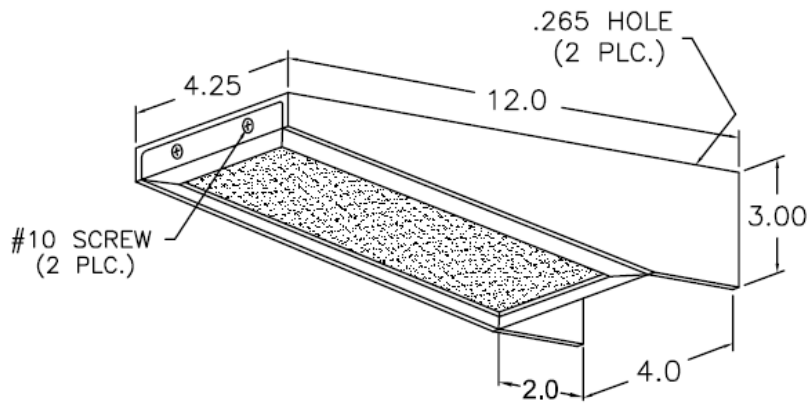
## LB0019



## LB0019 Stanchion Bracket 2" x 2" Post

- 1) Finish: Polished or 120 grit ground for painting.
- 2) Mounts to a 2" x 2" post or stanchion.
- 3) Lid mounts with one #10 screw.

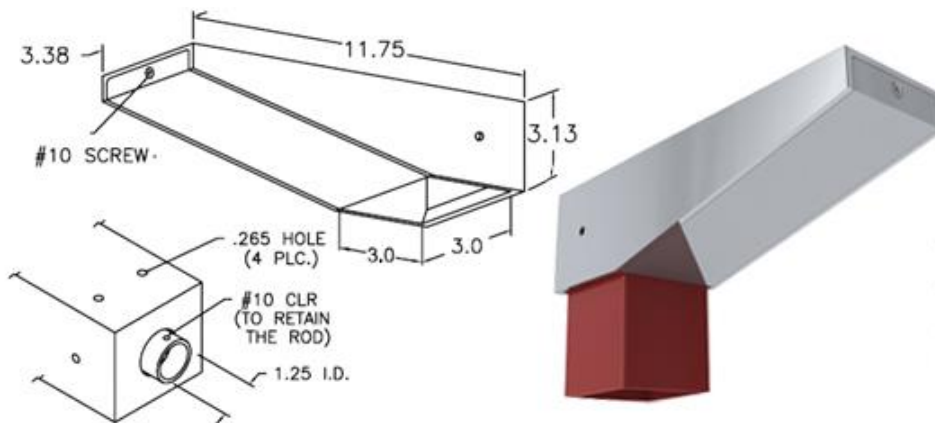
## LB0020



## LB0020 Stanchion Bracket 2" x 4" Post

- 1) Finish: Polished or 120 grit ground for painting.
- 2) Mounts to a 2" x 4" post or stanchion.
- 3) Lid mounts with two #10 screws.

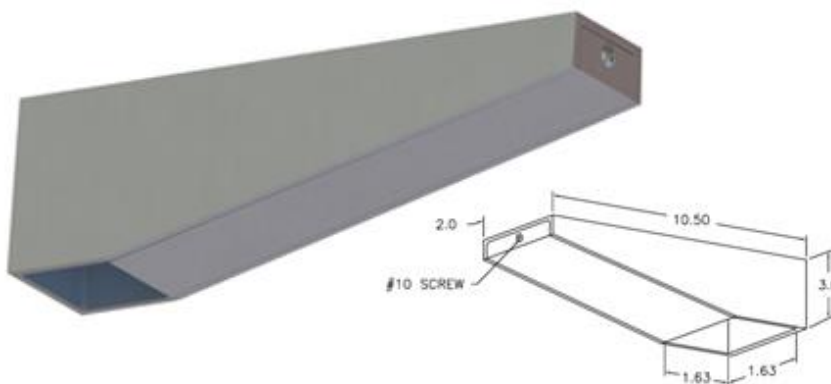
## LB0021



## LB0021 Stanchion Bracket with Rod Holder - 3" x 3" Post

- 1) Finish: Polished or 120 grit ground for painting.
- 2) Mounts to a 3" x 3" post or stanchion.
- 3) Lid mounts with one #10 screw.

## LB0022



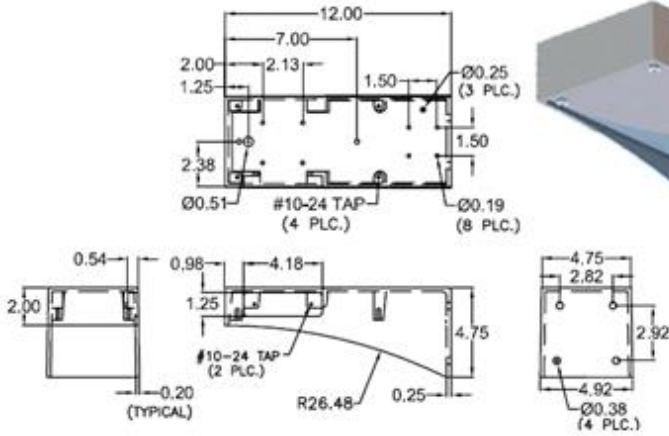
## LB0022 Stanchion Bracket 1 5/8" x 1 5/8" Post

- 1) Finish: Polished or 120 grit ground for painting.
- 2) Mounts to a 1 5/8" x 1 5/8" post or stanchion.
- 3) Lid mounts with one #10 screw.





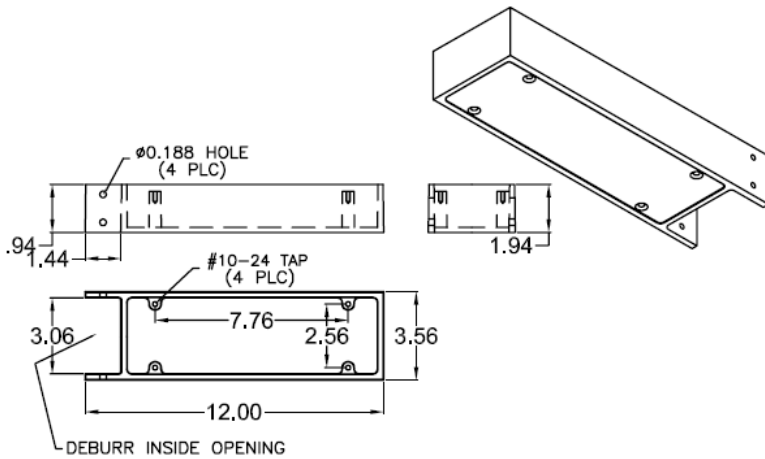
## LB0025-B



## LB0025-B Stanchion Bracket (Left Side)

- 1) Finish: Polished or 120 grit ground for painting.
- 2) Lid mounts with four #10 screws.
- 3) Recesses a 1" x 4" Marker Light

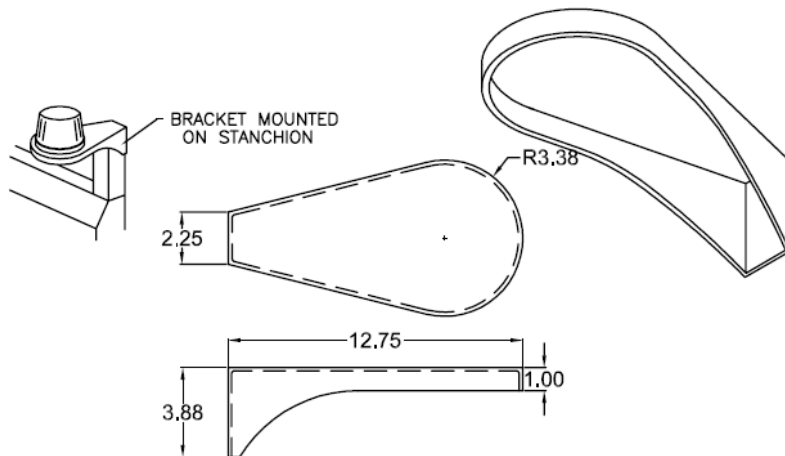
## LB0026



## LB0026 Stanchion Bracket

- 1) Finish: Polished or 120 grit ground for painting.
- 2) Lid mounts with four #10 screws.

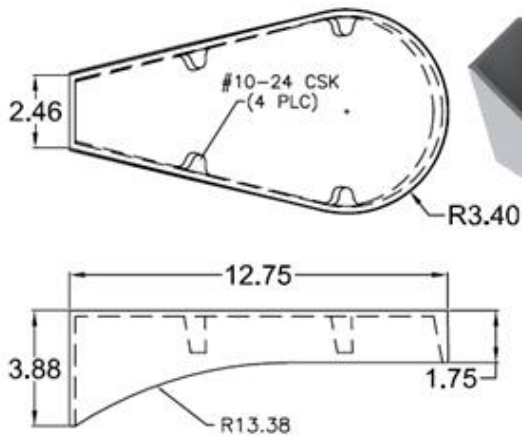
## LB0028



## LB0028 Stanchion Bracket 2" x 2" Post

- 1) Finish: Polished or 120 grit ground for painting.
- 2) Mounts to a 2" x 2" post or stanchion.

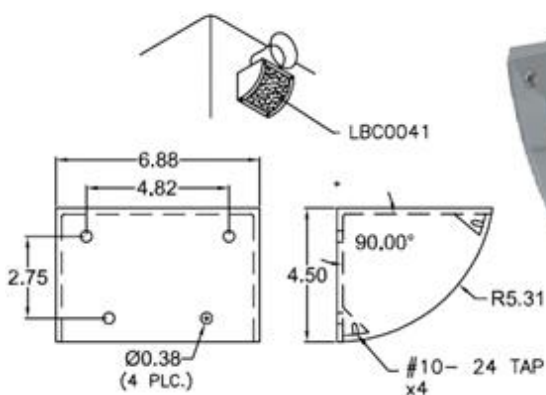
## LB0029



## LB0029 Stanchion Bracket 2" x 2" Post

- 1) Finish: Polished or 120 grit ground for painting.
- 2) Mounts to a 2" x 2" post or stanchion.
- 3) Lid mounts with four #10 screws.

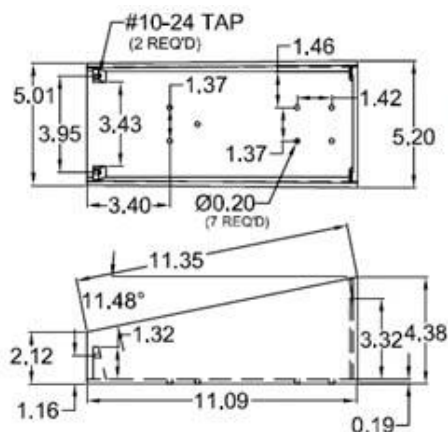
## LB0031



## LB0031 Enclosed Mounting Bracket

- 1) Finish: Polished or 120 grit ground for painting.
- 2) Designed to mount Air Horns, Lights, etc....

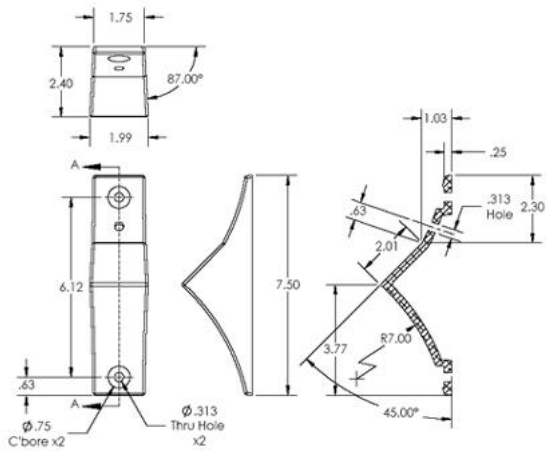
## LB0032



## LB0032 Stanchion Bracket 3/8" x 3 1/2" Post

- 1) Finish: Polished or 120 grit ground for painting.
- 2) Mounts to a 3/8" x 3 1/2" post or stanchion.
- 3) Lid mounts with two #10 screws.

## LB0033

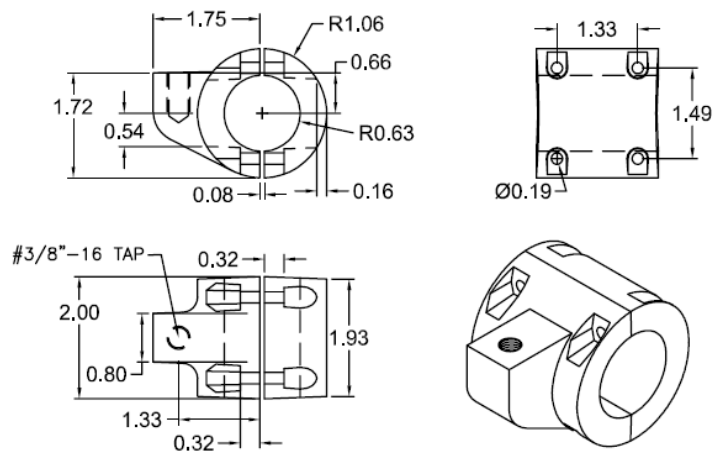


## LB0033 Stanchion Bracket

1) Finish: ball-burnished or polished exterior surfaces.

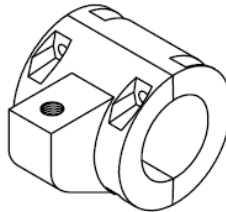


## LB0034

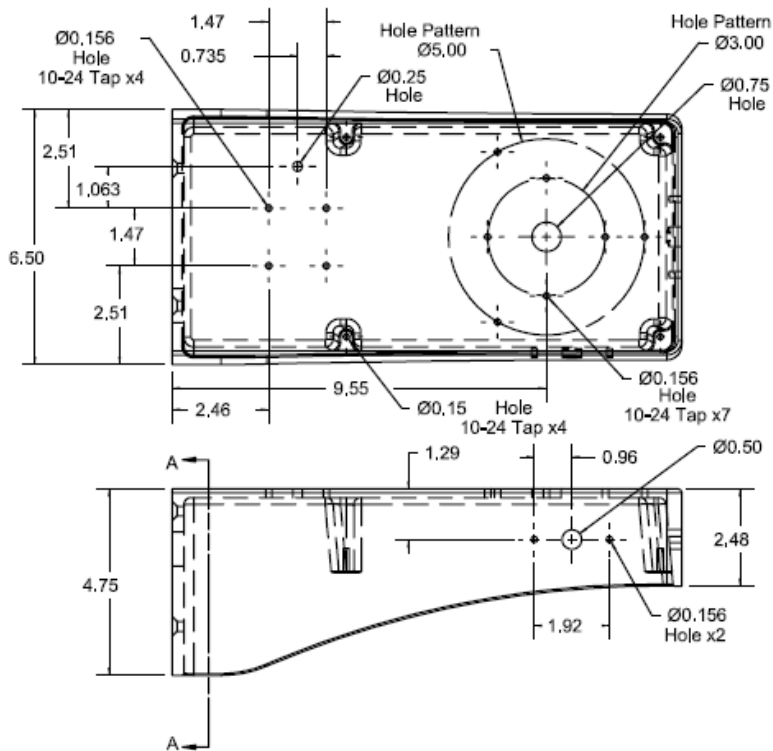


## LB0034 Mount Bracket - Light to Crashbar

1) Finish: Polished.



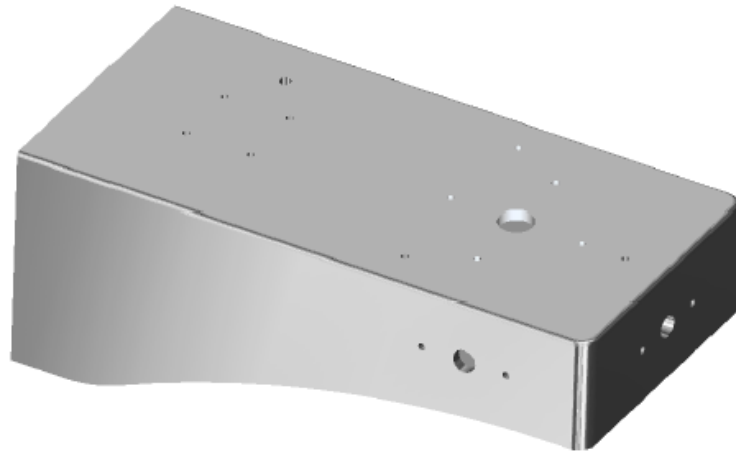
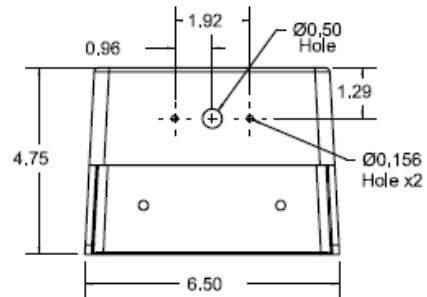
**LB0041-A**



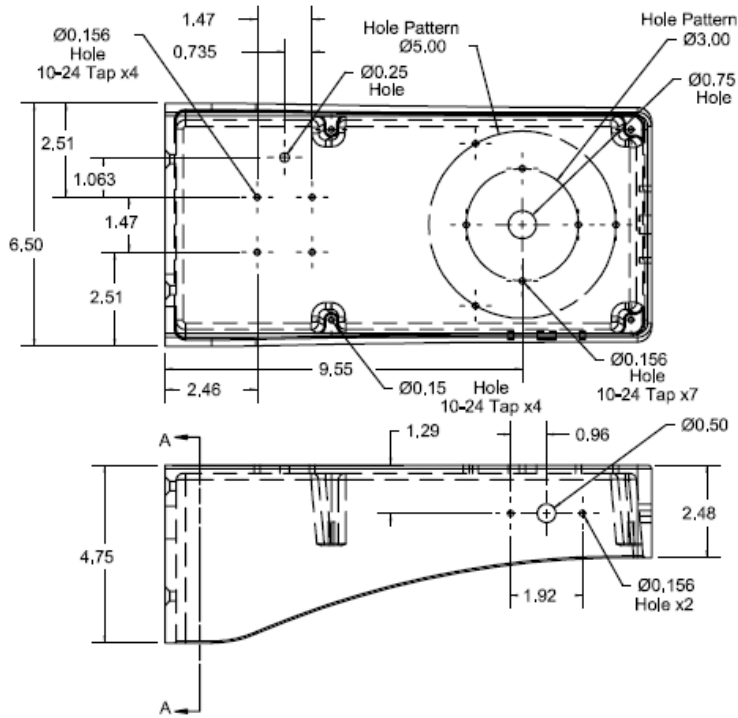
# **LB0041-A**

## **Right Side - Stanchion Bracket and Lid**

- 1) Finish: Bright Polished.
- 2) Shipped with lid installed.

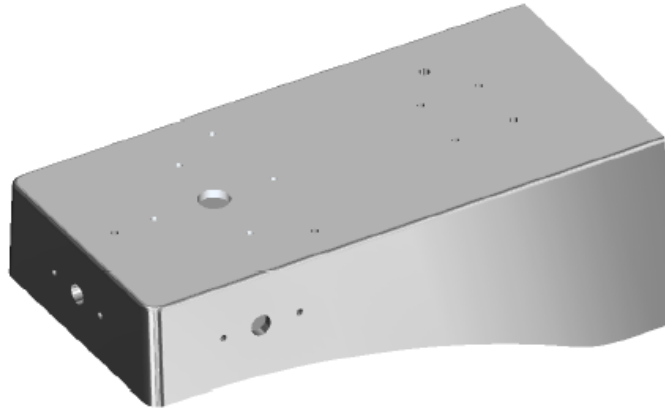
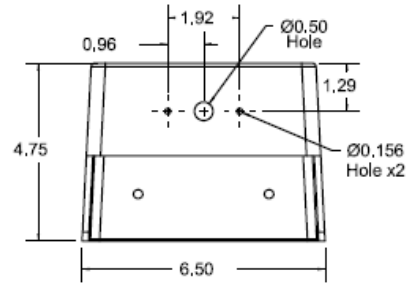


# LB0041-B

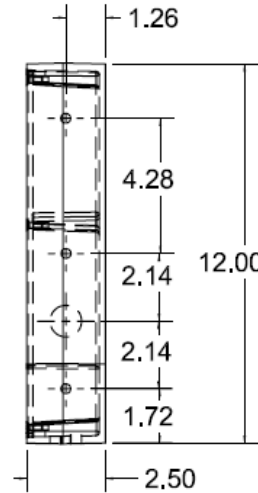
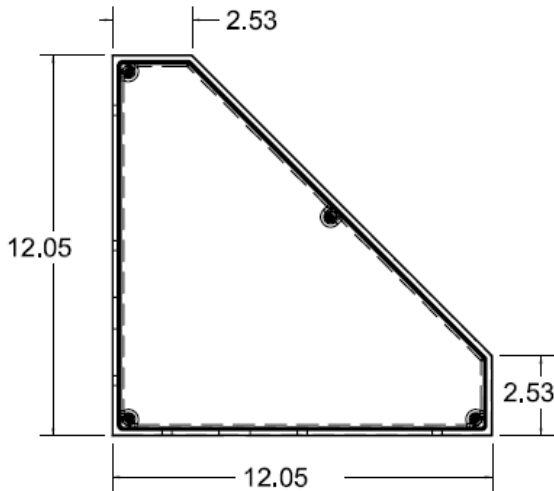
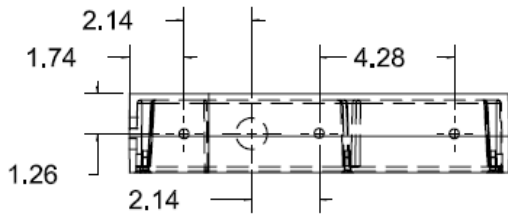


## LB0041-B Left Side - Stanchion Bracket and Lid

- 1) Finish: Bright Polished.
- 2) Shipped with lid Installed.



## LB0045

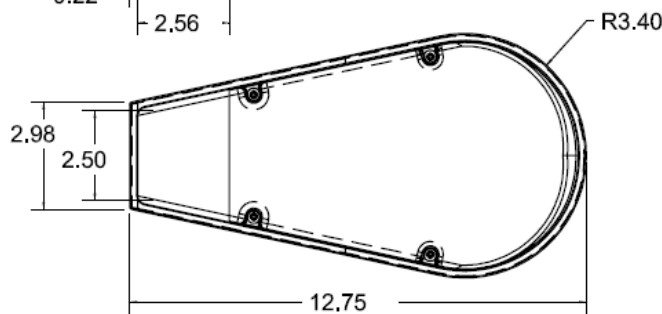
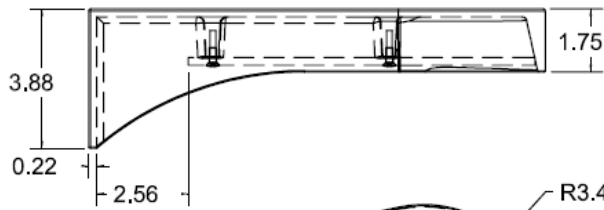


## LB0045 Angled Light Box w/ Lid

- 1) Finish: exterior band is polished. Lid and opposite side are 120 grit ground.
- 2) Shipped with lid installed.

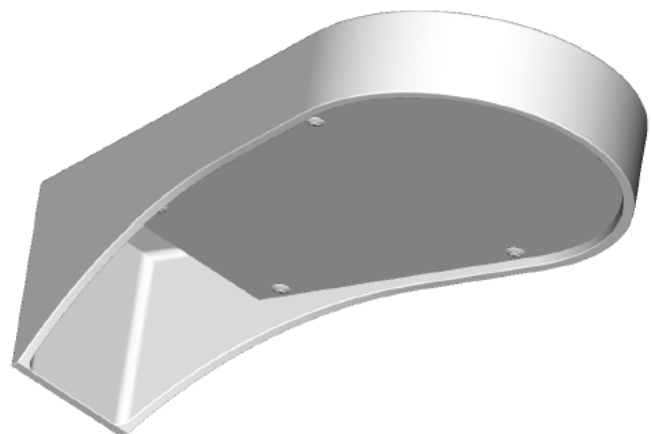


## LB0048

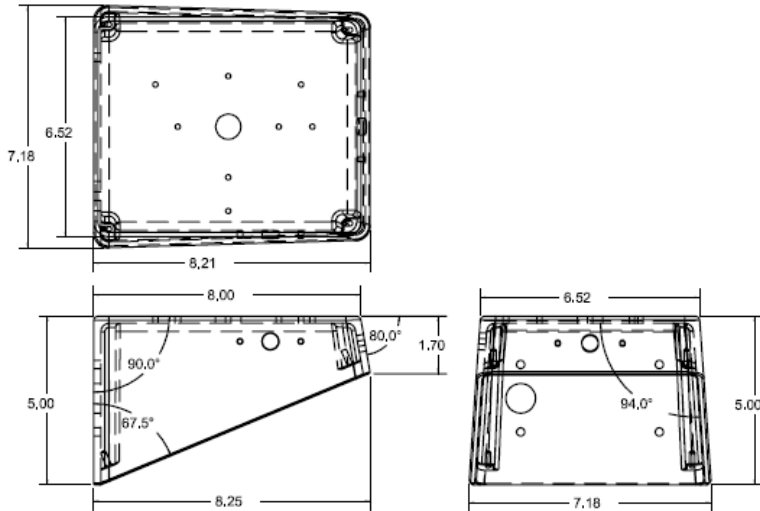


## LB0048 Stanchion Bracket and Lid

- 1) Finish: exterior band is polished. Top side is 120 grit ground. Lid is wheel-a-brated.
- 2) Shipped with lid installed.
- 3) For 2 1/2" square tubing.

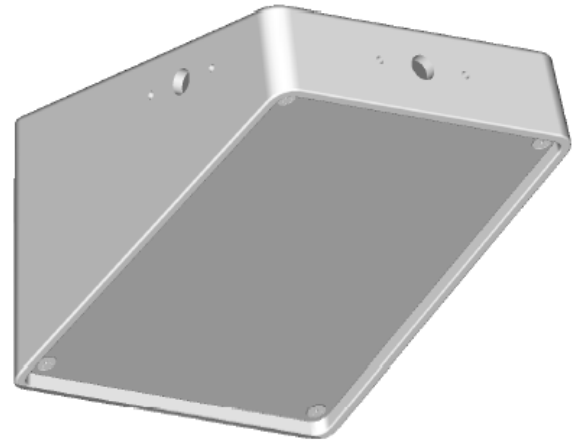


## LB0049-A

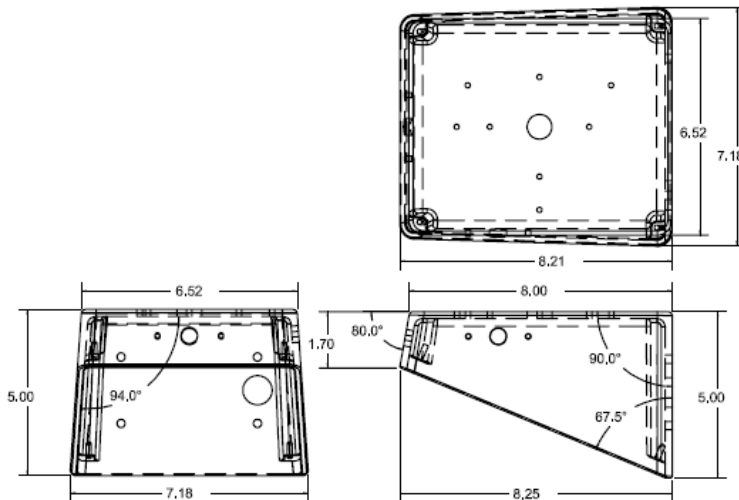


## LB0049-A Lefthand Stanchion Bracket and Lid

- 1) Finish: exterior band is polished. Top side is 120 grit ground. Lid is wheel-a-brated.
- 2) Shipped with lid installed.

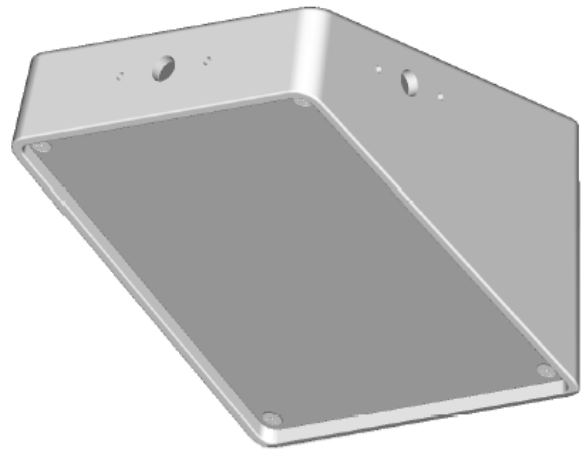


## LB0049-B



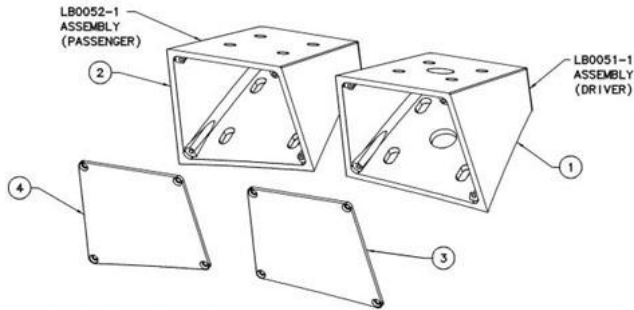
## LB0049-B Righthand Stanchion Bracket and Lid

- 1) Finish: exterior band is polished. Top side is 120 grit ground. Lid is wheel-a-brated.
- 2) Shipped with lid installed.

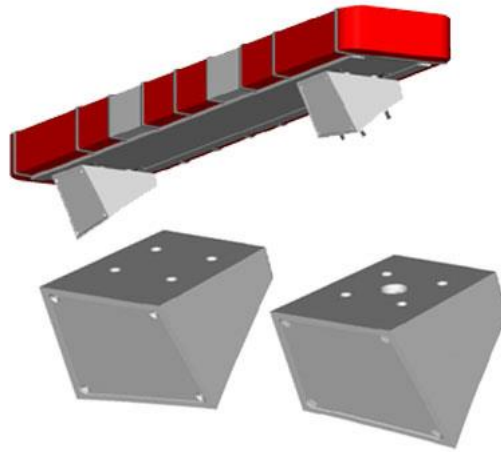




## LB0051 LB0052



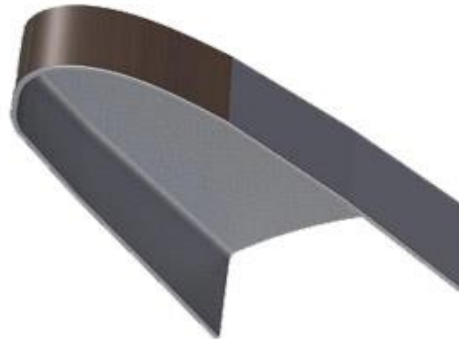
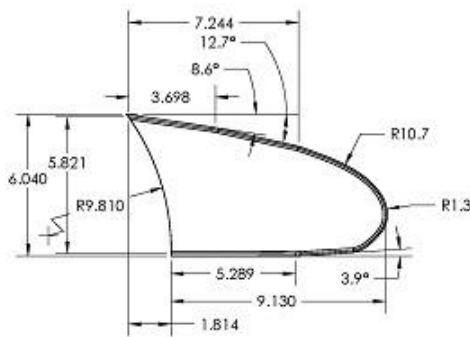
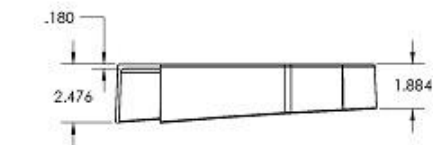
Item	Qty	Part #	Name
1	1	LBC0060-1	Driver - Lefthand Stanchion Bracket Casting
2	1	LBC0061-1	Passenger - Righthand Stanchion Bracket Casting
3	1	LBC0062-1	Lefthand Access Lid - Stamping
4	1	LBC0062-1-A	Righthand Access Lid - Stamping



### LB0051 and LB0052 Stanchion Brackets (Rt and Lft) for 2008 Sprinter

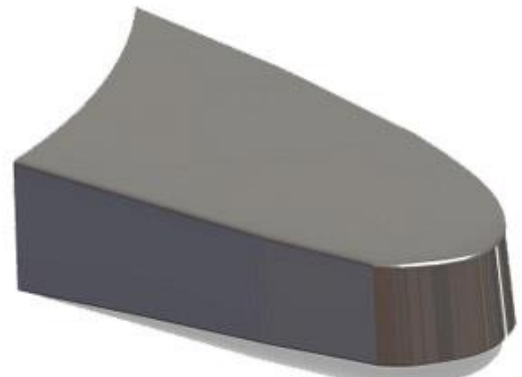
- 1) Finish: polished exterior with ground top surface
- 2) LB0051 Lefthand. LB0052 Righthand.

## LB0053 LB0054

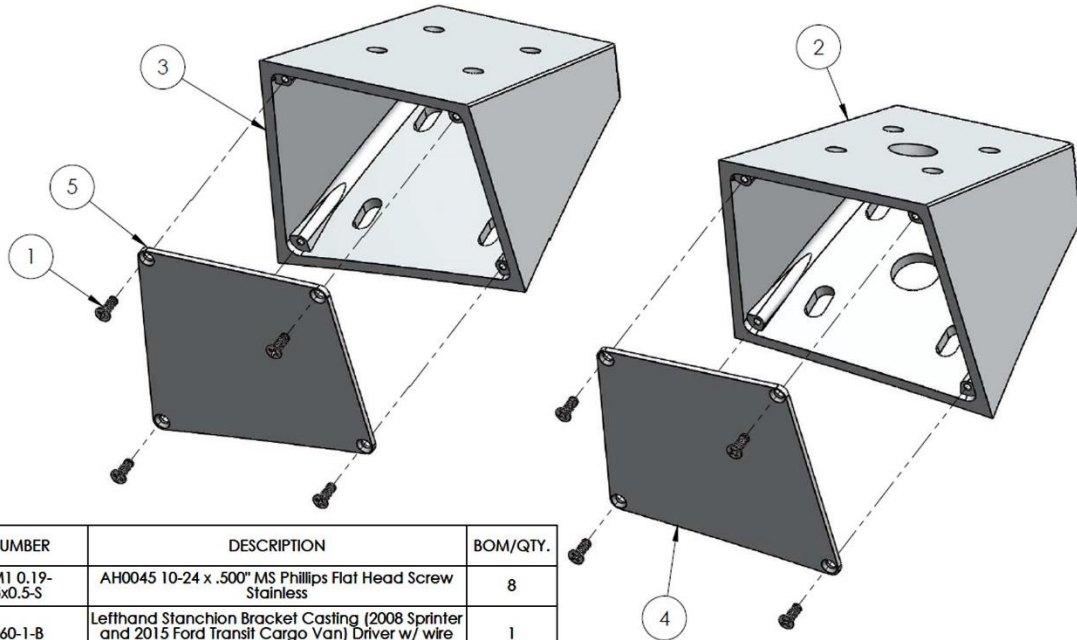


### LB0053 & LB0054 Mars Light - Stanchion Brackets (Rt & Lft)

- 1) Finish: Wheel-a-brated w/ exterior polished
- 2) LB0053-1 Lefthand shown
- 3) LB0054-1 Righthand is opposite



# LB0057 LB0058

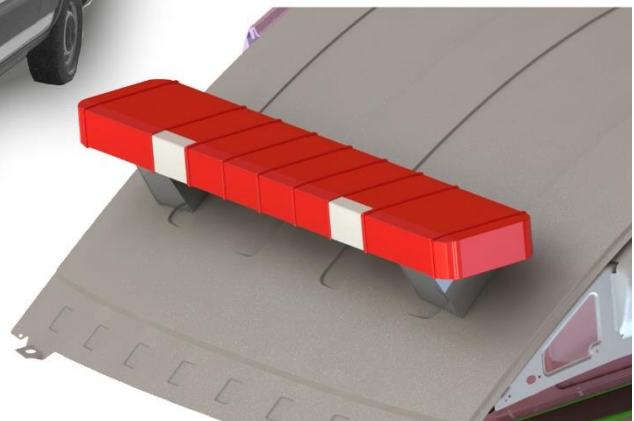


ITEM NO.	PART NUMBER	DESCRIPTION	BOM/QTY.
1	CR-FHM1 0.19-24x0.5x0.5-S	AH0045 10-24 x .500" MS Phillips Flat Head Screw Stainless	8
2	LBC0060-1-B	Left-hand Stanchion Bracket Casting (2008 Sprinter and 2015 Ford Transit Cargo Van) Driver w/ wire hole	1
3	LBC0061-1-B	Righthand Stanchion Bracket Casting (2015 Ford Transit Cargo Van) Passenger	1
4	LBC0062-1	Left-hand Access Lid Stamping (2008 Sprinter or 2015 Ford Transit)	1
5	LBC0062-1-A	Righthand Access Lid Stamping (2008 Sprinter or 2015 Ford Transit)	1

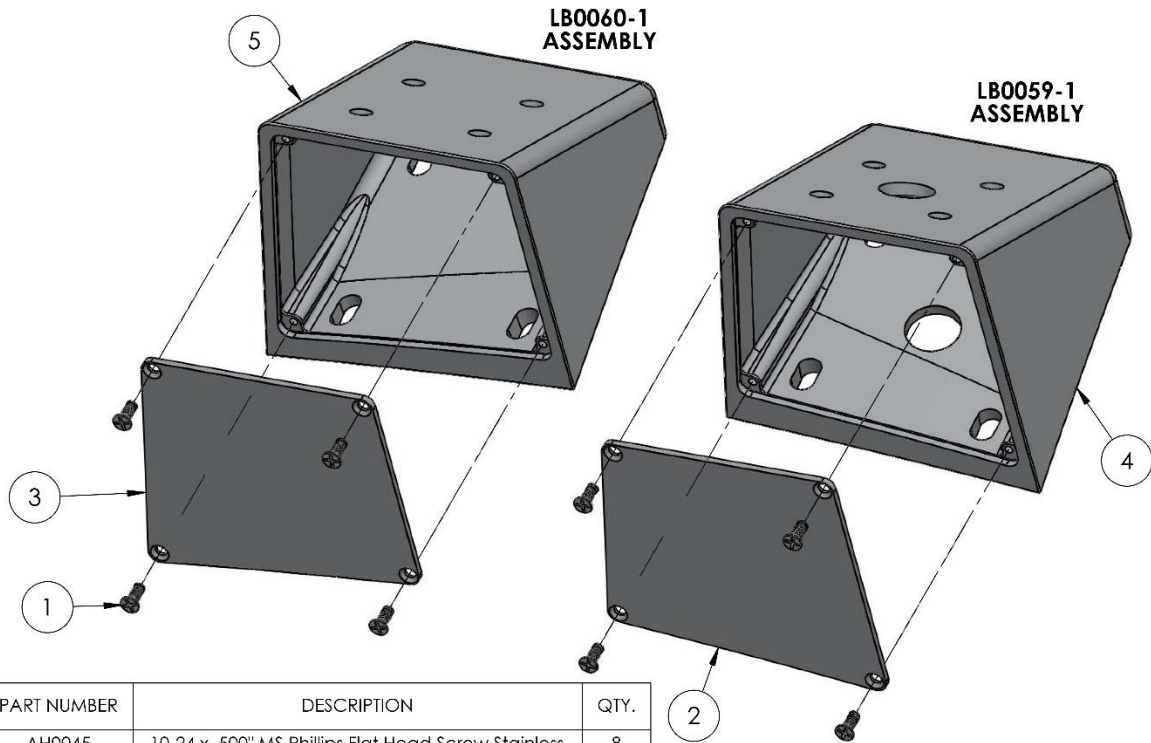
## LB0057 LB0058 Stanchion Bracket Assemblies with wire/mounting holes (2015 Ford Transit Cargo Van)



- 1) Finish: Exterior surfaces polished.
- 2) For high or medium roof.



# LB0059 LB0060



ITEM	PART NUMBER	DESCRIPTION	QTY.
1	AH0045	10-24 x .500" MS Phillips Flat Head Screw Stainless	8
2	LBC0062-1	Lefthand Access Lid Stamping	1
3	LBC0062-1-A	Righthand Access Lid Stamping	1
4	LBC0067-1	Lefthand Stanchion Bracket Casting w/ wire inlet hole (2015 Dodge ProMaster) Driver	1
5	LBC0068-1	Righthand Stanchion Bracket Casting (2015 Dodge ProMaster) Passenger	1

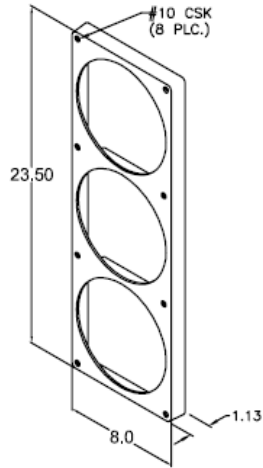
## LB0059-1 LB0060-1 2015 Dodge ProMaster Light Bar Brackets

- 1) Finish: exterior surfaces are polished.
- 2) -A version for No Top Holes.





## LH10201

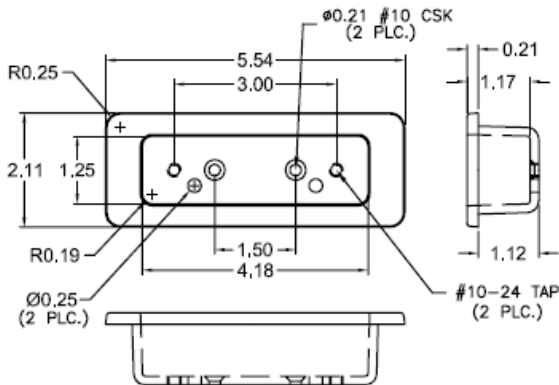


## LH10201 Triple Light Trim Weldon 1000

- 1) Finish: All exterior surfaces are bright polished or 120 grit ground.
- 2) Angle: 0°
- 3) Function: provides an aesthetic trim where a three light cluster is to be mounted.

## 1" x 4" Marker Lights

## LH14701

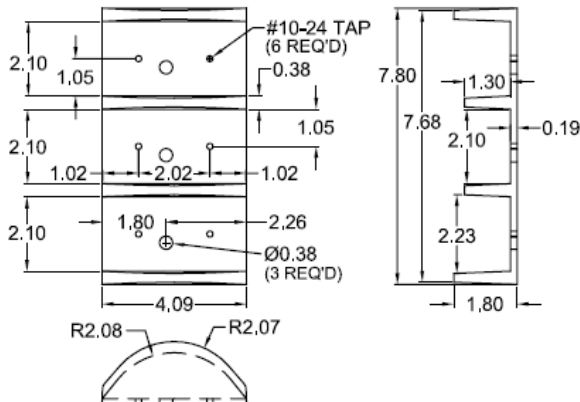


## LH14701

### Marker Light Housing (Truck-Lite)

- 1) Finish: Polished.
- 2) Angle: 0°

## LH14702

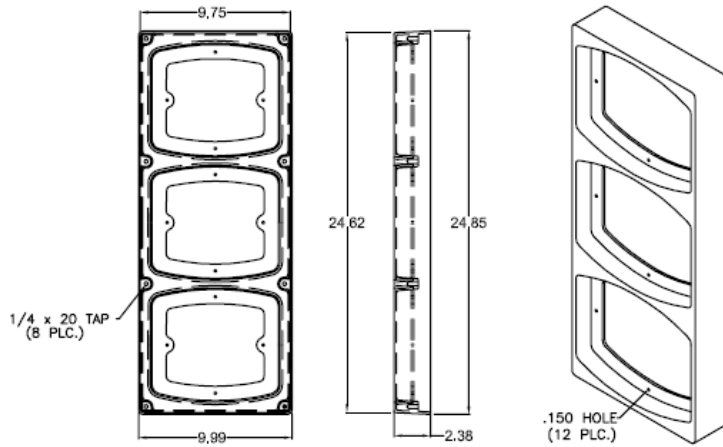


## LH14702 Triple Marker Light Housing

- 1) Finish: wheel-a-brated.
- 2) Angle: 0°

**Weldon 2000 series**

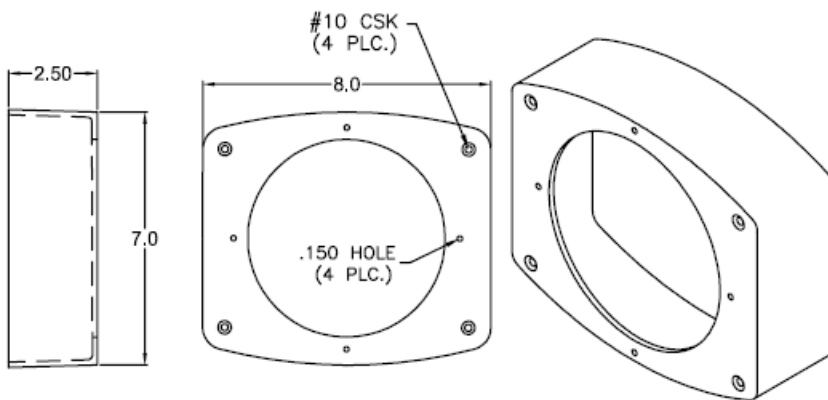
**LH20101**



**LH20101  
Triple Light Trim  
Weldon 2000**

- 1) Finish: All exterior surfaces are bright polished or 120 grit ground.
- 2) Angle: 0°
- 3) Function: provides an aesthetic trim where a three light cluster is to be mounted.
- 4) Total surface mount. No clearance hole in the body required.

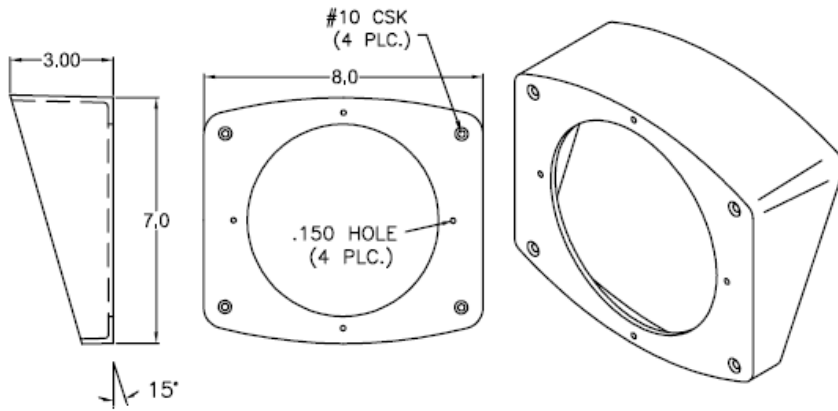
**LH20103**



**LH20103  
Light Housing  
Weldon 2000**

- 1) Finish: All exterior surfaces are bright polished or 120 grit ground.
- 2) Angle: 0°
- 3) Total surface mount. No clearance hole in the body required.

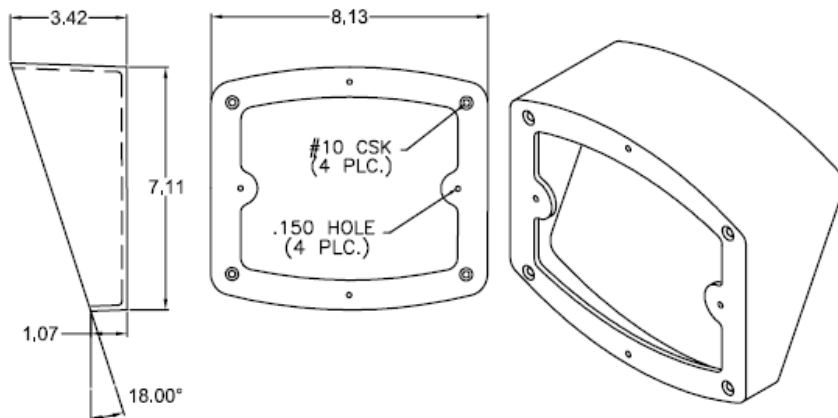
## LH20104



## LH20104 Light Housing Weldon 2000

- 1) Finish: All exterior surfaces are bright polished or 120 grit ground.
- 2) Angle: 15°
- 3) Total surface mount. No clearance hole in the body required.

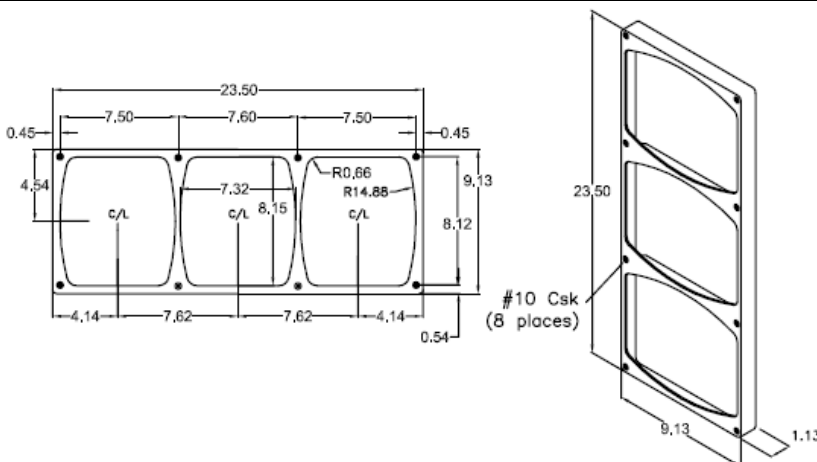
## LH20105



## LH20105 Light Housing Weldon 2000

- 1) Finish: All exterior surfaces are bright polished or 120 grit ground.
- 2) Angle: 18°
- 3) Total surface mount. No clearance hole in the body required.

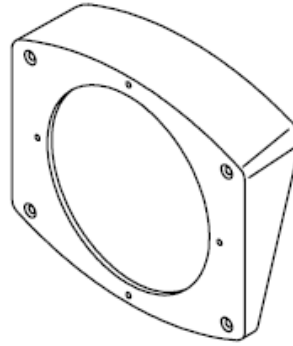
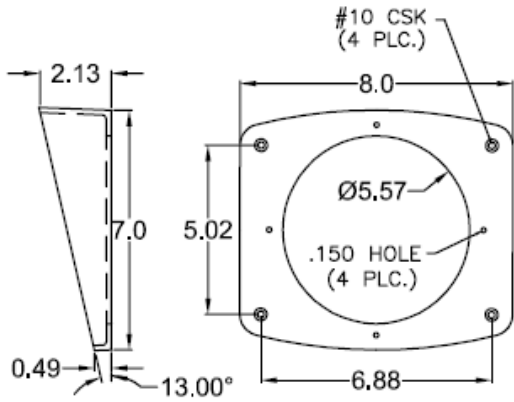
## LH20201



## LH20201 Triple Light Trim Weldon 2000

- 1) Finish: All exterior surfaces are bright polished or 120 grit ground.
- 2) Angle: 0°

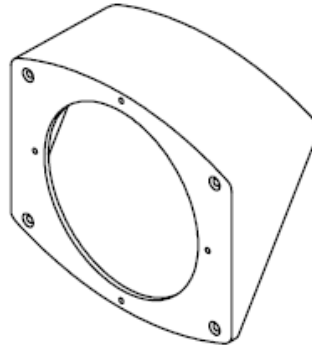
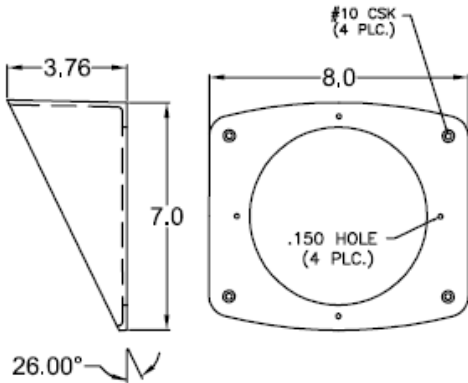
## LH20205



## LH20205 Light Housing Weldon 2000

- 1) Finish: All exterior surfaces are bright polished or 120 grit ground.
- 2) Angle: 13°

## LH20206



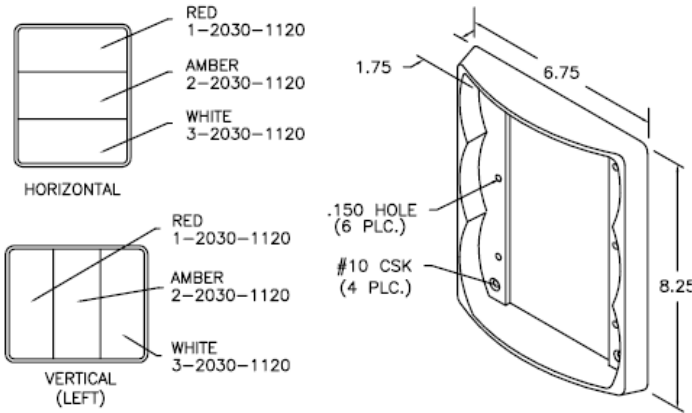
## LH20206 Light Housing Weldon 2000

- 1) Finish: All exterior surfaces are bright polished or 120 grit ground.
- 2) Angle: 26°

### *Weldon 2030 Series*



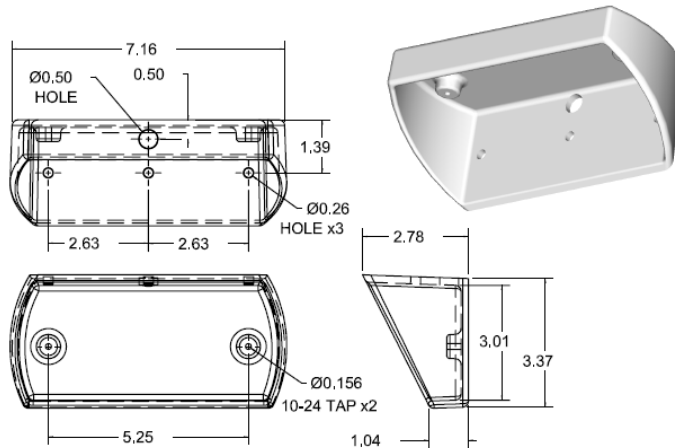
## LH23201



## LH23201 Triple Light Housing Weldon 2030

- 1) Finish: All exterior surfaces are bright polished or 120 grit ground.
- 2) Designed to accommodate a complete tail light assembly, consisting of tail, turn, and back-up lamps.
- 3) Installation: Three clearance holes for bulb sockets.

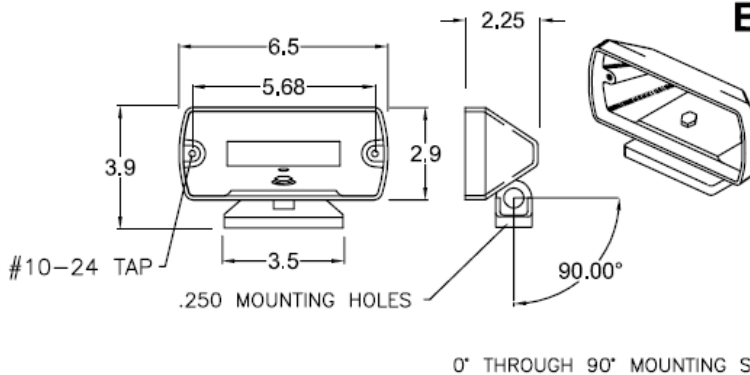
## LH23202



## LH23202 Panel Housing Weldon 2030

- 1) Finish: All exterior surfaces are bright polished or 120 grit ground.
- 2) Angle: 0°

## LH23501

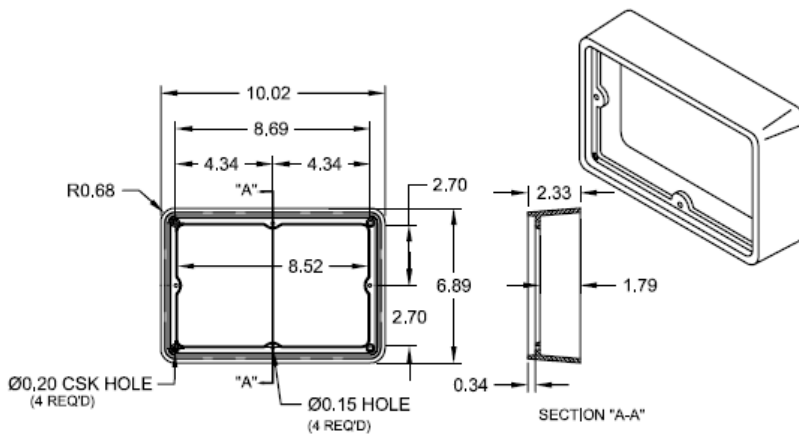


## LH23501 Bumper Mount Light Housing Weldon 2030

- 1) Finish: All exterior surfaces are bright polished or 120 grit ground.
- 2) Mounting Angle: between 0° and 90°.

## Weldon 3020 Series

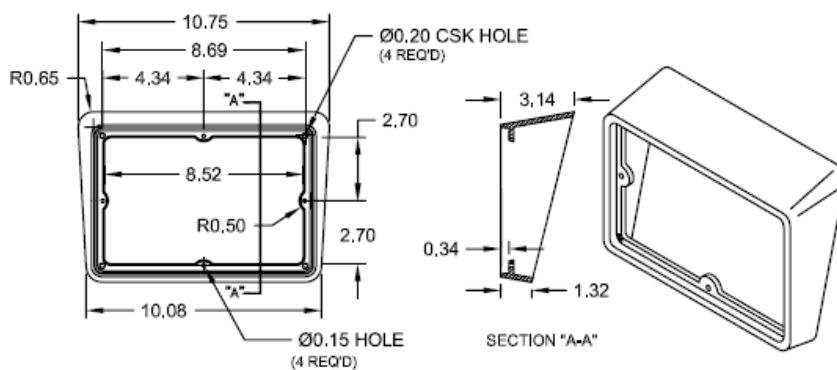
### LH32101



## LH32101 Light Housing Weldon 3020

- 1) Finish: All exterior surfaces are bright polished or 120 grit ground.
- 2) Angle:  $0^\circ$
- 3) 1/8" cord gasket to seal housing to the body (optional: customer please specify).
- 4) Total surface mount. No clearance hole in the body required.

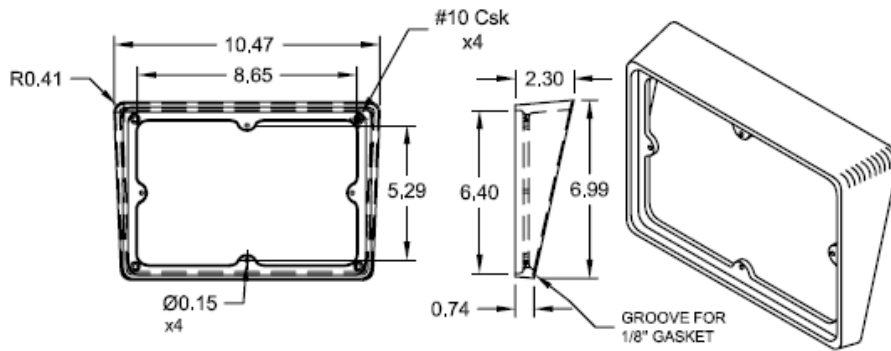
### LH32102



## LH32102 Light Housing Weldon 3020

- 1) Finish: All exterior surfaces are bright polished or 120 grit ground.
- 2) Angle:  $15^\circ$
- 3) 1/8" cord gasket to seal housing to the body (optional: customer please specify).
- 4) Total surface mount. No clearance hole in the body required.

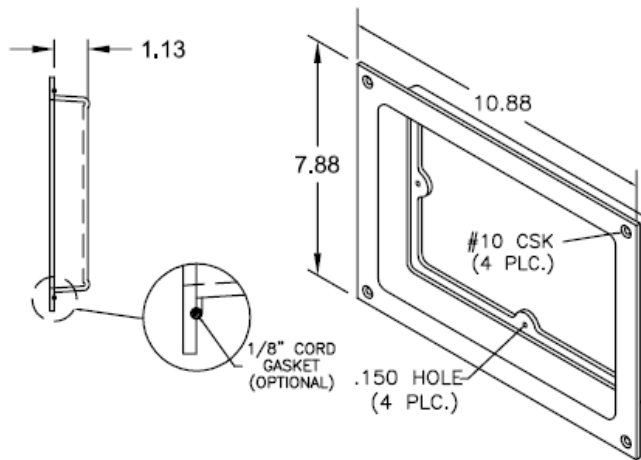
## LH32201



## LH32201 Light Housing Weldon 3020

- 1) Finish: All exterior surfaces are bright polished or 120 grit ground.
- 2) Angle: 13°
- 3) 1/8" cord gasket to seal housing to the body (optional: customer please specify).

## LH32301

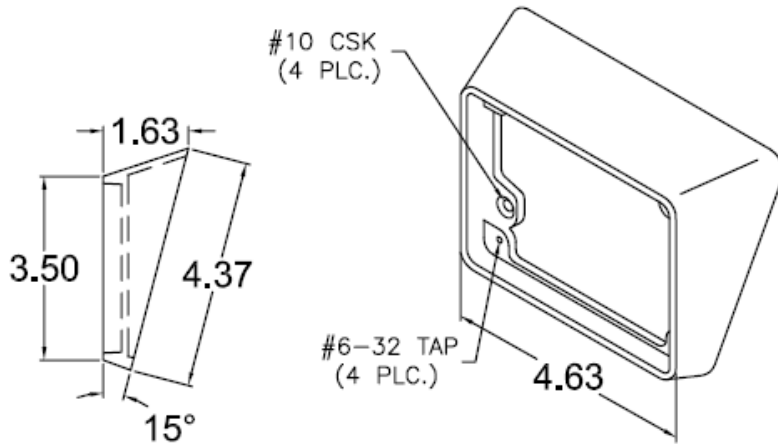


## LH32301 Recessed Light Housing Weldon 3020

- 1) Finish: All exterior surfaces are bright polished or 120 grit ground.
- 2) Angle: 0°
- 3) 1/8" cord gasket to seal housing to the body (optional: customer please specify).

### 3 x 4 Light Housings

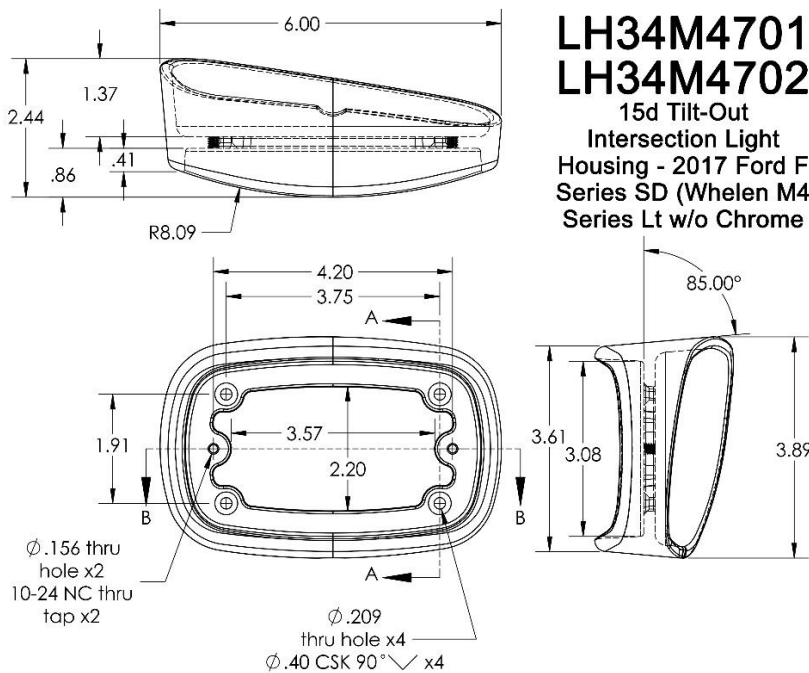
## LH34203



## LH34203 Light Housing (3" x 4" Light)

- 1) Finish: All exterior surfaces are bright polished or 120 grit ground.
- 2) Angle: 15°

## LH34M4701 LH34M4702

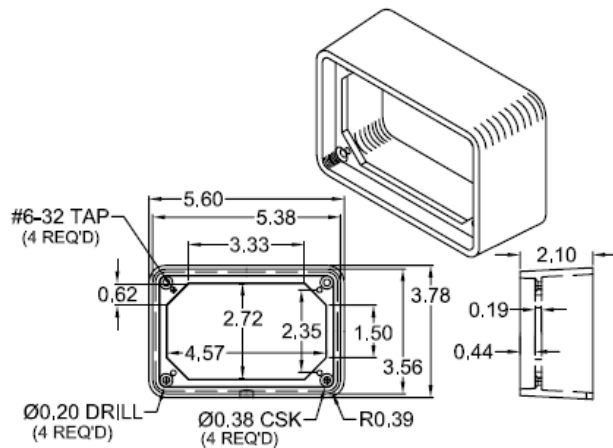


## LH34M4701 LH34M4702 15d Tilt-Out Intersection Light Housing - 2017 Ford F Series SD (Whelen M4 Series Lt w/o Chrome



1. Finish: exterior surfaces are polished.
- 2) For Whelen M4 Series Lt w/o Chrome Trim, 15d. Intersection Lt Hsg (2017 Ford F Series SD)
- 3) M4 Intersection Housing: works with Plain Fender and Fender with Large Fender Flare

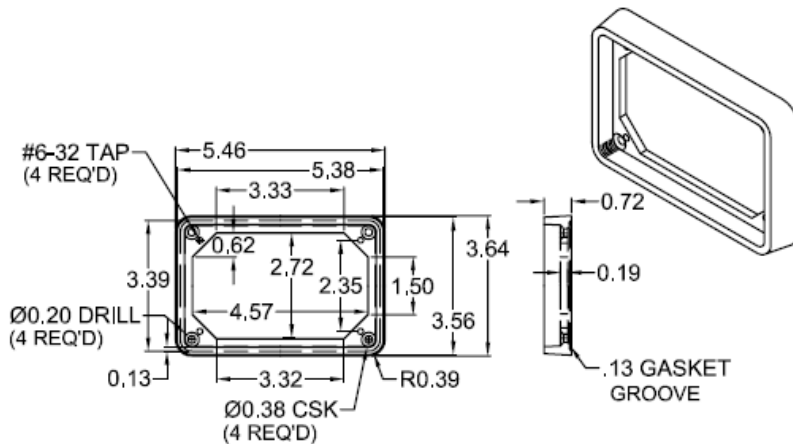
## LH35101



## LH35101 Surface Mount Light Housing (3" x 5" Light)

- 1) Finish: All exterior surfaces are bright polished.
- 2) Angle: 0°
- 3) For use with a 3" x 5" linear strobe light.

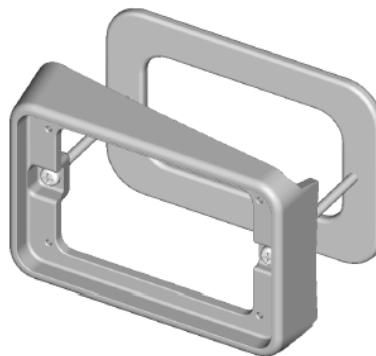
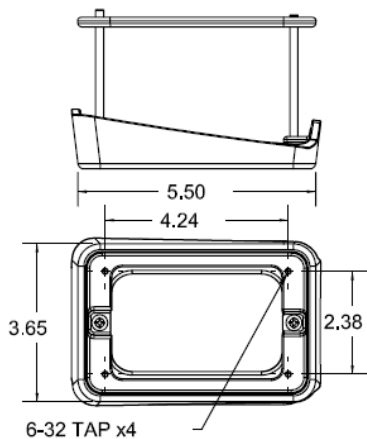
## LH35202



## LH35202 Light Housing (3" x 5" Light)

- 1) Finish: All exterior surfaces are bright polished.
- 2) Angle: 0°
- 3) For use with a 3" x 5" linear strobe light.

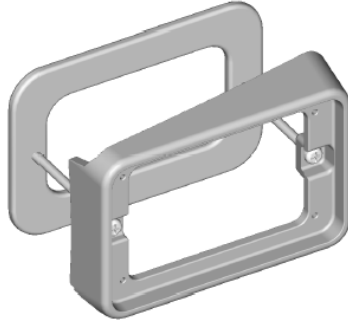
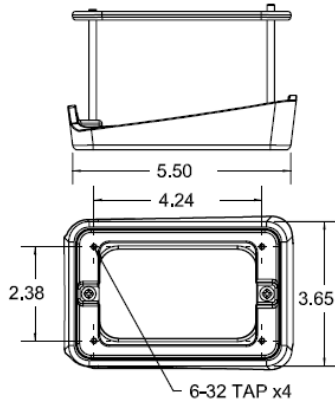
## LH35603



## LH35603 Grille Mount Lt Hsg - 3" x 5" LED

- 1) Finish: All exterior surfaces are bright polished
- 2) For use with a 3" x 5" LED light.
- 3) Passenger side Grille Mount Lt Hsg - 2005-06 2005 Ford F350 SD

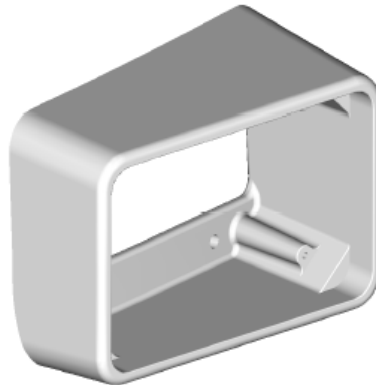
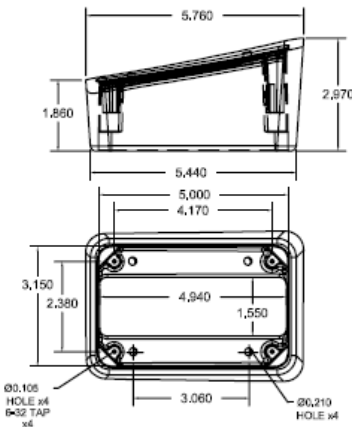
## LH35604



## LH35604 Grille Mount Lt Hsg - 3" x 5" LED

- 1) Finish: All exterior surfaces are bright polished
- 2) For use with a 3" x 5" LED light.
- 3) Driver side Grille Mount Lt Hsg - 2005-06 2005 Ford F350 SD

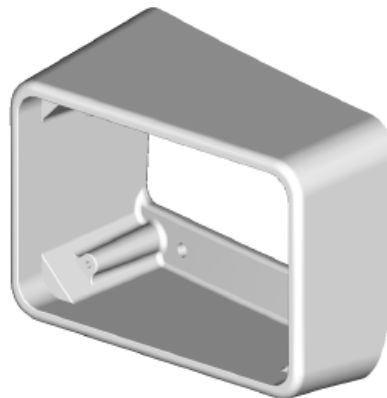
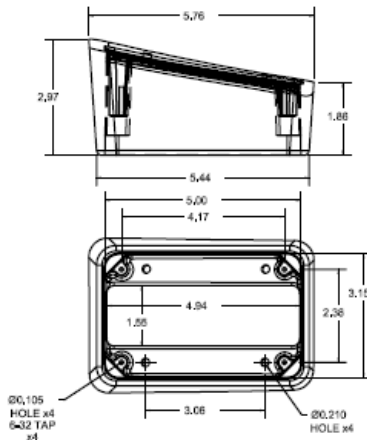
## LH35703



## LH35703 Intersection Lt Hsg 20d. 3" x 4" Light - Linear Strobe

- 1) Finish: All exterior surfaces are bright polished
- 2) For use with a 3" x 5" linear strobe light.
- 3) Passenger side 2002-05 Freightliner M2
- 4) Angle: 20°

## LH35704



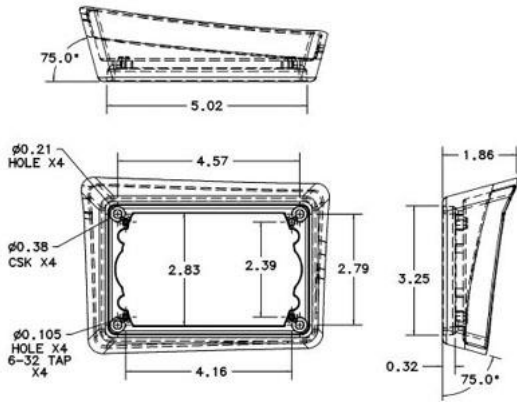
## LH35704 Intersection Lt Hsg 20d. 3" x 4" Light - Linear Strobe

- 1) Finish: All exterior surfaces are bright polished
- 2) For use with a 3" x 5" linear strobe light.
- 3) Driver side 2002-05 Freightliner M2
- 4) Angle: 20°

## LH35709 LH35710

### LH35709 and LH35710 Intersection Housings for 2008 Ford F350 series SD

- 1) Finish: polished exterior.
- 2) LH35709 Driver Side.  
LH35710 Passenger Side  
(shown).
- 3) For 3" X 5" Lights.



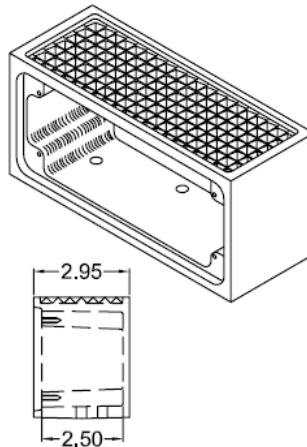
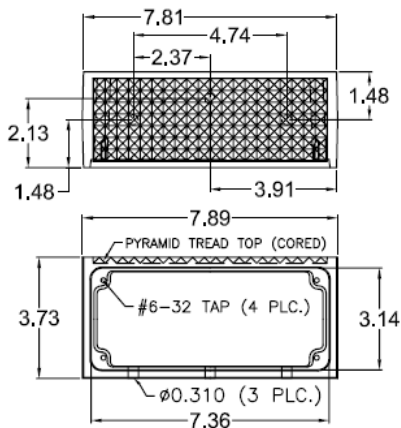
## 3" x 7" Light Housings

### LH37008

### LH37008

#### Step / Light Housing (3" x 7" Light)

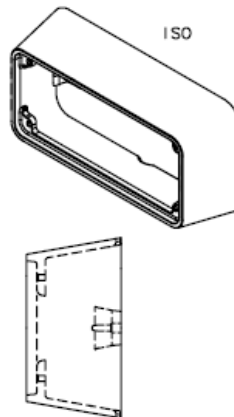
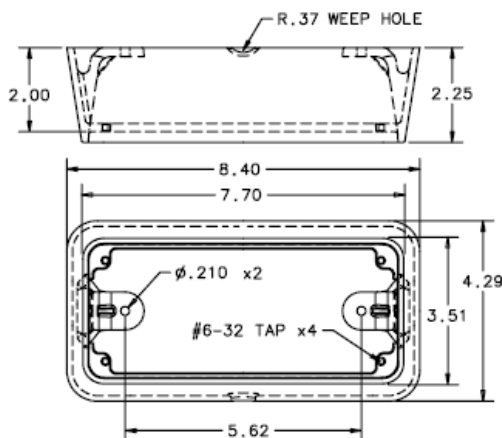
- 1) Finish: All exterior surfaces are bright polished.
- 2) Angle: 0°
- 3) Total surface mount. No clearance hole in the body required.



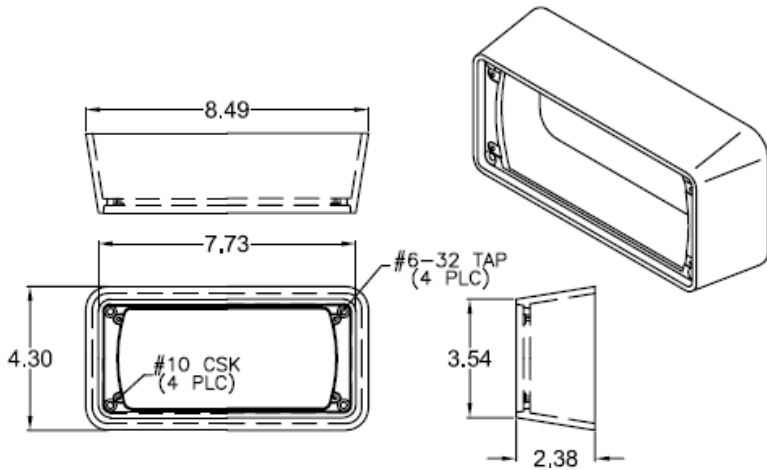
### LH37101

### LH37101 Light Housing (3" x 7" Light)

- 1) Finish: All exterior surfaces are bright polished.
- 2) Angle: 0°
- 3) Tomar Halogen Light requires two 1 3/8" holes drilled in the body.



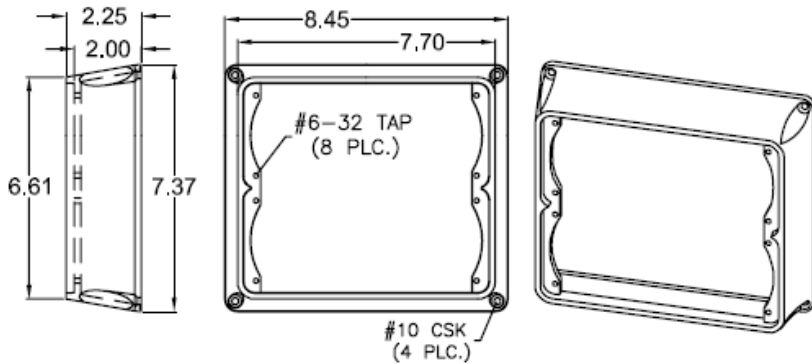
## LH37102



## LH37102 Light Housing (3" x 7" Light)

- 1) Finish: All exterior surfaces are bright polished.
- 2) Angle: 0°
- 3) Tomar Halogen Light requires two 1 3/8" holes drilled in the body.

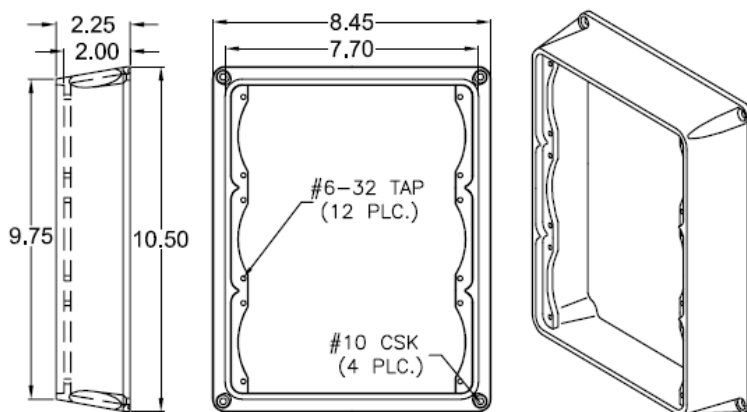
## LH37104



## LH37104 Double Light Housing (3" x 7" Light)

- 1) Finish: All exterior surfaces are bright polished.
- 2) Angle: 0°
- 3) Total surface mount. No clearance hole in the body required.

## LH37105

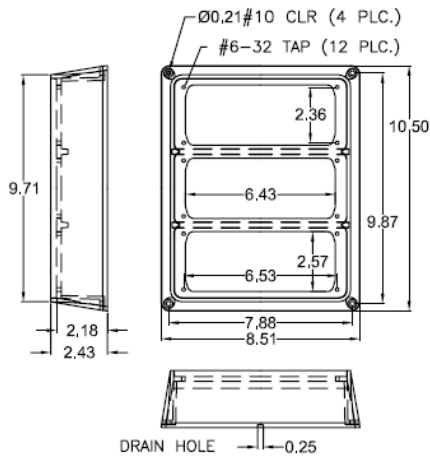


## LH37105 Triple Light Housing (3" x 7" Light)

- 1) Finish: All exterior surfaces are bright polished.
- 2) Angle: 0°
- 3) Total surface mount. No clearance hole in the body required.



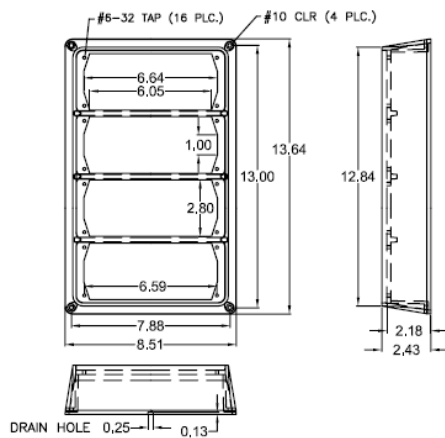
## LH37106



## LH37106 Triple Light Housing (Weldon 3" x 7" Light)

- 1) Finish: All exterior surfaces are bright polished.
- 2) Angle:  $0^\circ$
- 3) Total surface mount. No clearance hole in the body required.
- 4) Will function only with the Weldon 3" x 7" Light.

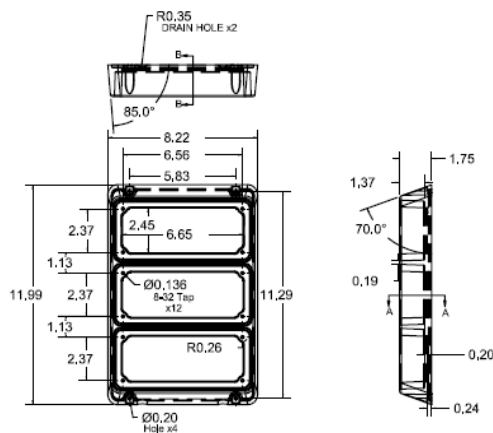
## LH37107



## LH37107 Quad Light Housing (Weldon 3" x 7" Light)

- 1) Finish: All exterior surfaces are bright polished.
- 2) Angle:  $0^\circ$
- 3) Total surface mount. No clearance hole in the body required.
- 4) Will function only with the Weldon 3" x 7" Light.

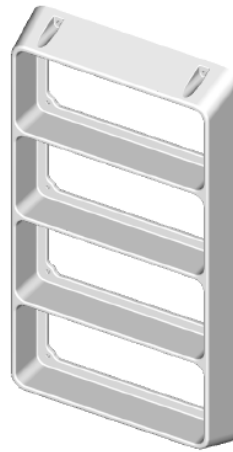
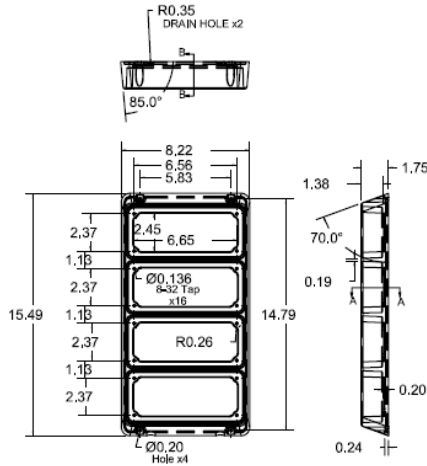
## LH37108



## LH37108 Triple Light Housing (Code 3 3" x 7" LED Light)

- 1) Finish: All exterior surfaces are bright polished.
- 2) Angle:  $0^\circ$
- 3) Total surface mount. No clearance hole in the body required.
- 4) Will function only with the Code 3 - 3" x 7" LED Light

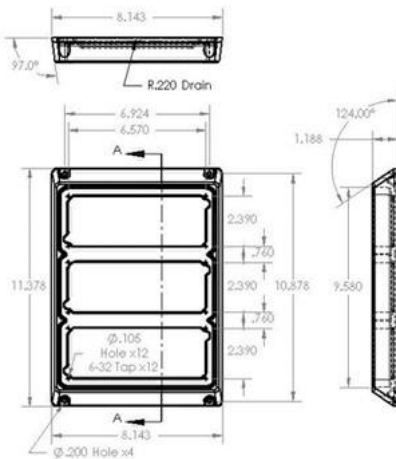
## LH37109



## LH37109 Triple Light Housing (Code 3 3" x 7" LED Light)

- 1) Finish: All exterior surfaces are bright polished.
- 2) Angle: 0°
- 3) Total surface mount. No clearance hole in the body required.
- 4) Will function only with the Code 3 - 3" x 7" LED Light

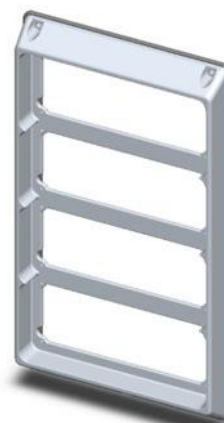
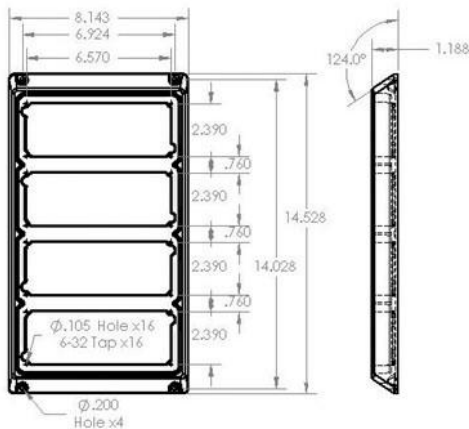
## LH37110



## LH37110 Triple Light Housing - Od. - for 3" x 7" LED Lights

- 1) Finish: polished exterior.
- 2) For Whelen 3" x 7" LED Lights only.
- 3) Uses RG0061 Gasket (optional).

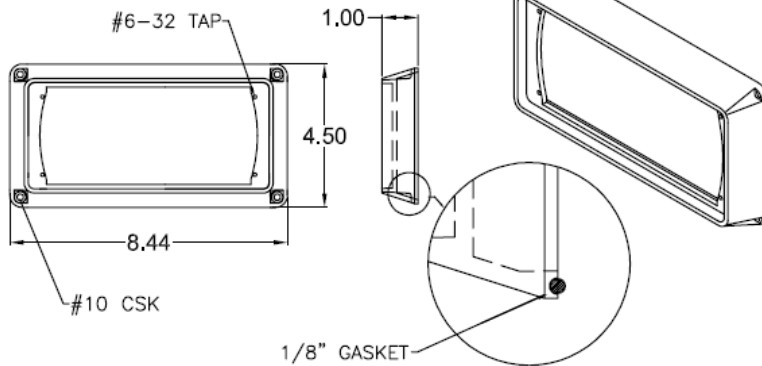
## LH37111



## LH37111 Quad Light Housing - Od. - for 3" x 7" LED Lights

- 1) Finish: polished exterior.
- 2) For Whelen 3" x 7" LED Lights only.
- 3) Uses RG0062 Gasket (optional).

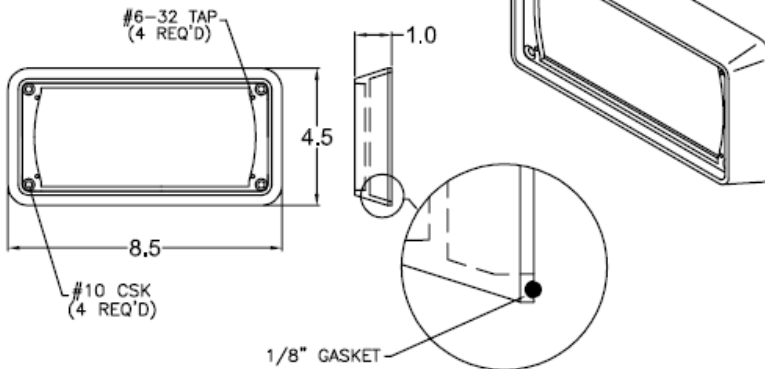
## LH37201



## LH37201 Light Housing (3" x 7" Light)

- 1) Finish: All exterior surfaces are bright polished or 120 grit ground.
- 2) Angle: 0°
- 3) Clearance hole for reflector required in the body.
- 4) 1/8" cord gasket to seal housing to the body (optional: customer please specify).

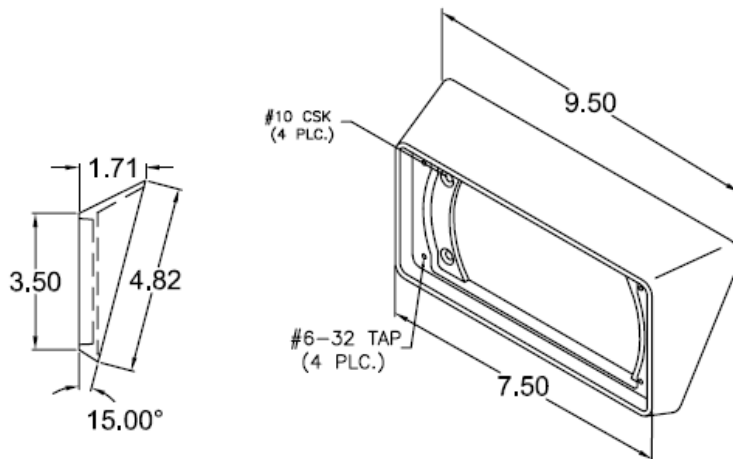
## LH37202



## LH37202 Light Housing (3" x 7" Light)

- 1) Finish: All exterior surfaces are bright polished or 120 grit ground.
- 2) Angle: 0°
- 3) Clearance hole for reflector required in the body.
- 4) Concealed mounting hardware.

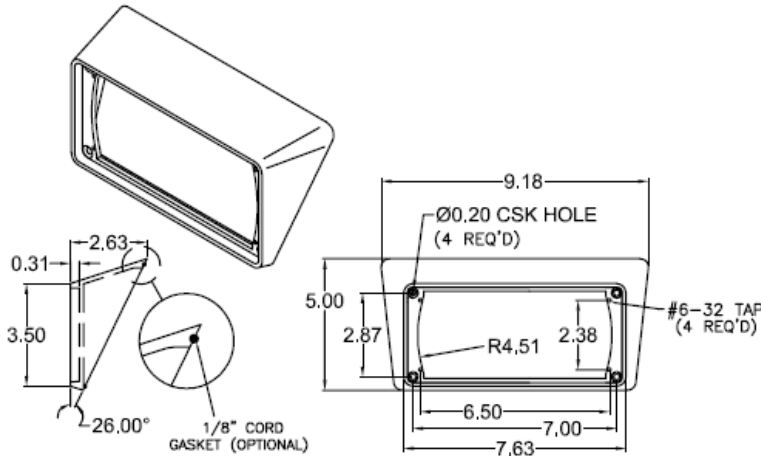
## LH37203



## LH37203 Light Housing (3" x 7" Light)

- 1) Finish: All exterior surfaces are bright polished or 120 grit ground.
- 2) Angle: 15°
- 3) Clearance hole for reflector required in the body.
- 4) Concealed mounting hardware.

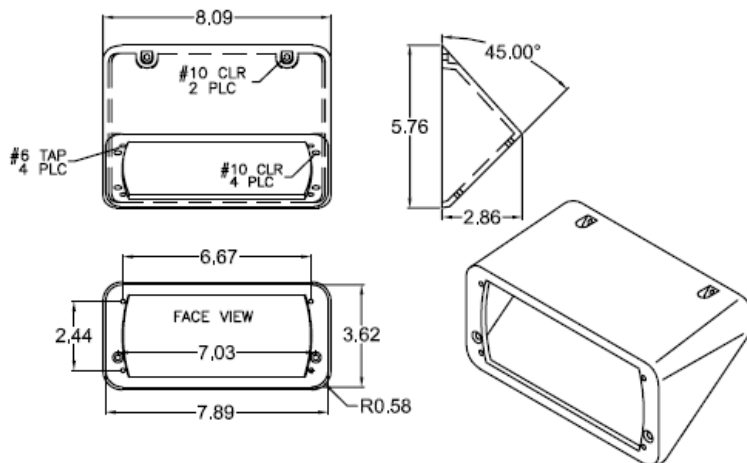
## LH37205



## LH37205 Light Housing (3" x 7" Light)

- 1) Finish: All exterior surfaces are bright polished or 120 grit ground.
- 2) Angle: 26°
- 3) Clearance hole for reflector required in the body.
- 4) 1/8" cord gasket to seal housing to the body (optional: customer please specify).

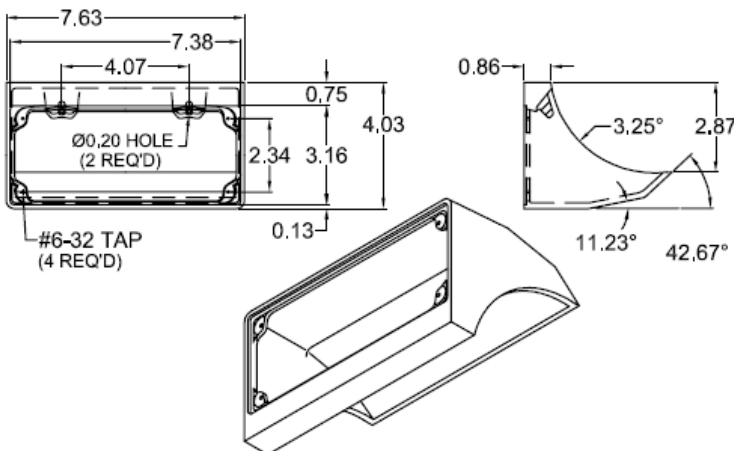
## LH37206



## LH37206 Light Housing (3" x 7" Light)

- 1) Finish: All exterior surfaces are bright polished or 120 grit ground.
- 2) Angle: 45°
- 3) Clearance hole for reflector required in the body.

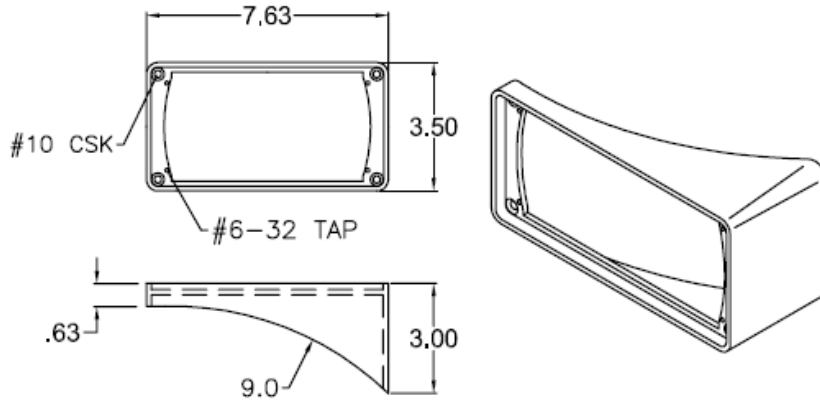
## LH37208



## LH37208 Roof Rail Mount Light Housing (3" x 7" Light)

- 1) Finish: All exterior surfaces are bright polished.
- 2) Designed to fit the approximate 3.25" radius used on some firetrucks.

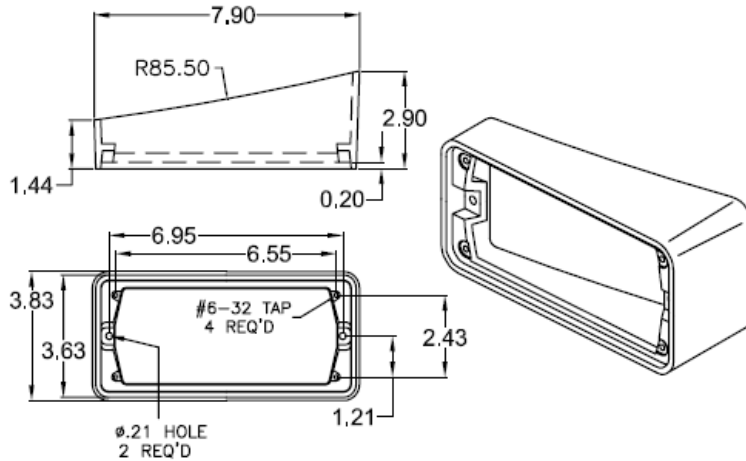
## LH37209



## LH37209 Light Housing (3" x 7" Light)

- 1) Finish: All exterior surfaces are bright polished.
- 2) Designed to fit the approximate 9" radius used on some firetrucks.

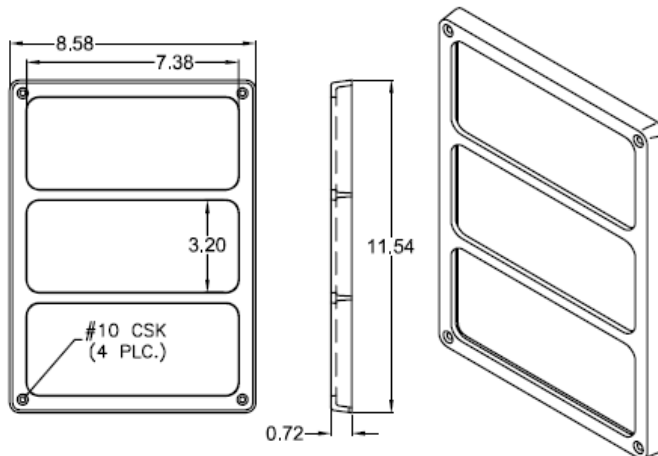
## LH37210



## LH37210 Light Housing (3" x 7" Light)

- 1) Finish: All exterior surfaces are bright polished.
- 2) Designed to fit the 85.50" radius used on some firetrucks.

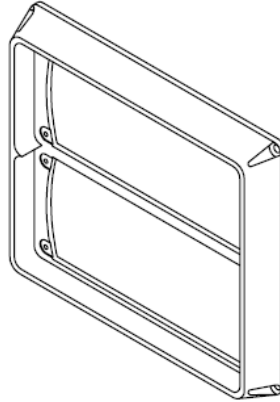
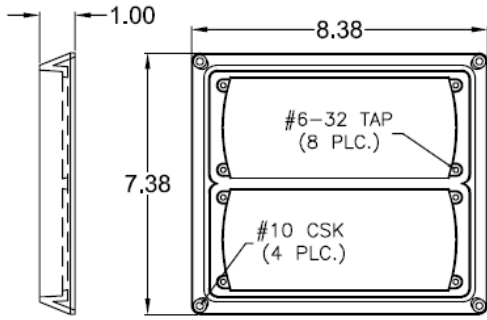
## LH37213



## LH37213 Triple Light Housing (3" x 7" Light)

- 1) Finish: All exterior surfaces are bright polished.
- 2) Angle: 0°

# LH37214

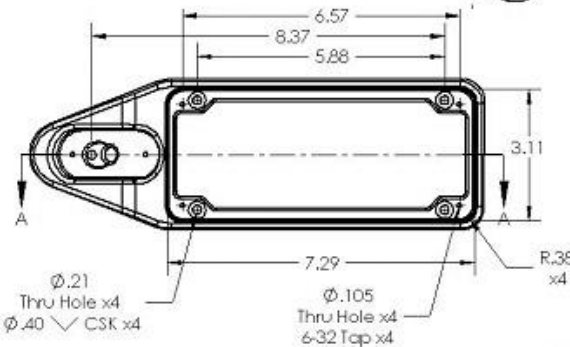
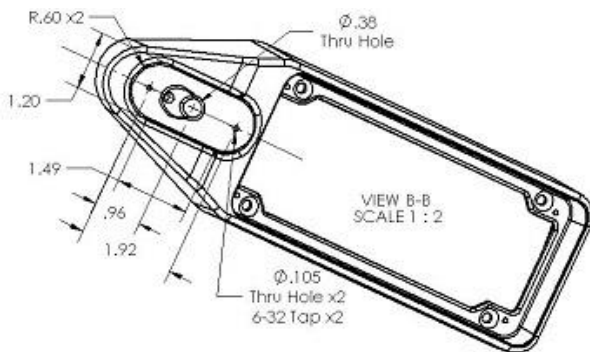


# LH37214

## Double Light Housing (3" x 7" Light)

- 1) Finish: All exterior surfaces are bright polished.
- 2) Angle: 0°

# LH37225 LH37226



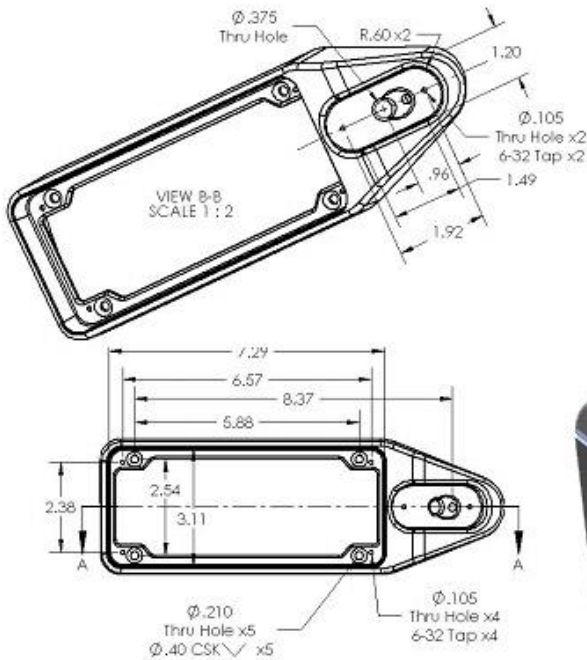
# LH37225 & LH37226

## Front 3x7 LED & Marker Light Housings (2008 Dodge Sprinter)

- 1) Finish: Polished
- 2) For Whelen 3x7 LED
- 3) LH37225 Driver Side Shown
- 4) LH37226 Passenger Side is opposite
- 4) For '08 Dodge Sprinter - side scene lights and standard LED marker light.



**LH37227 LH37228**

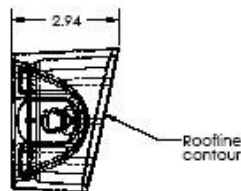
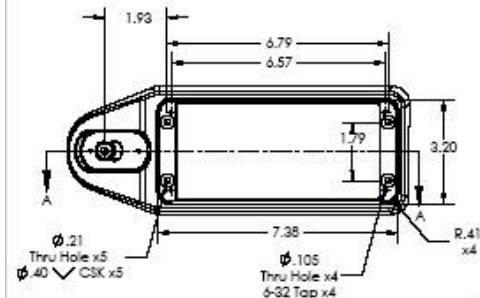
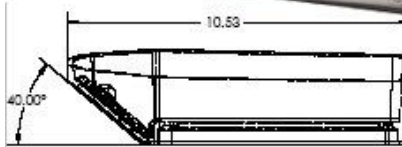


**LH37227 & LH37228  
Rear 3x7 LED & Marker Light  
Housings (2008 Dodge Sprinter)**

- 1) Finish: Polished
- 2) For Whelen 3x7 LED
- 3) LH37227 Rear Driver Side Shown
- 3) LH37228 Rear Passenger Side is opposite
- 4) For '08 Dodge Sprinter - side scene lights and standard LED marker light.



**LH37229 LH37230**



**LH37229-1 & LH37230-1  
Front 3x7 LED (700 Scene) & Marker Lt  
Housings ('08 -'09 Dodge Sprinter)**

- 1) Finish: Polished Exterior
- 2) For Whelen 3x7 700 Scene LED only ( no cutting roof for clearance hole)
- 3) LH37229-1 Front-Driver side (shown)
- 3) LH37230-1 Front-Passenger side is opposite
- 4) For '08 - '09 Dodge Sprinter - side scene lights & 700 series Scene LED marker light.

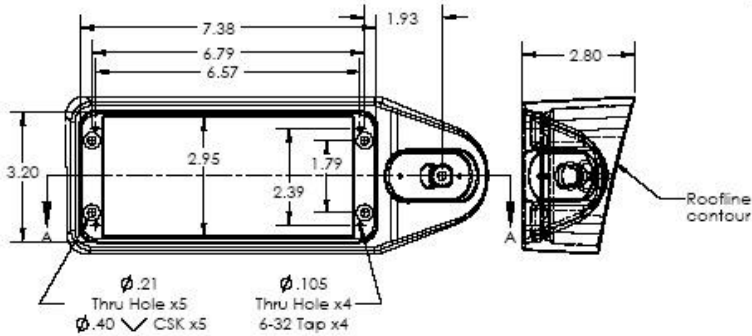


**LH37231 LH37232**



**LH37231-1 & LH37232-1  
Rear 3x7 LED (700 Scene) & Marker Lt  
Housings ('08 -'09 Dodge Sprinter)**

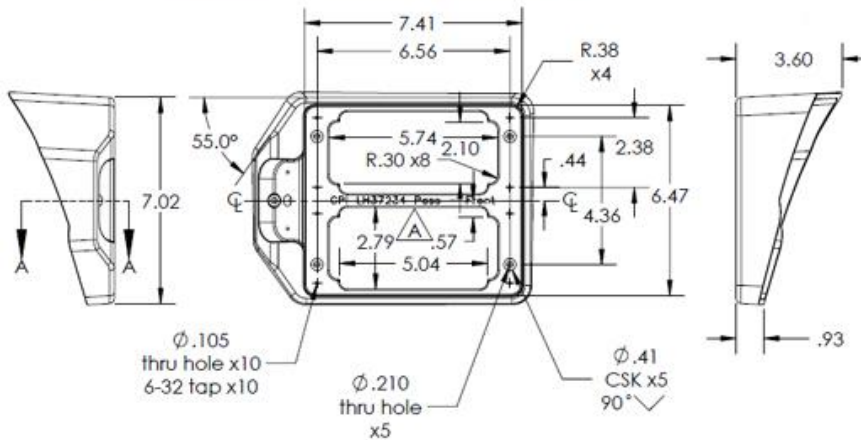
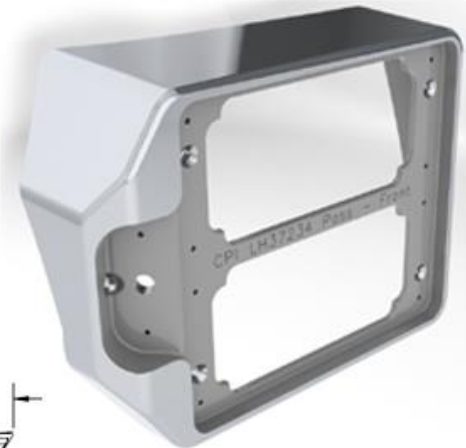
- 1) Finish: Polished Exterior
- 2) For Whelen 3x7 700 Scene LED only ( no cutting roof for clearance hole)
- 3) LH37229-1 Rear-Driver side (shown)  
LH37230-1 Rear-Passenger side is opposite
- 4) For '08 - '09 Dodge Sprinter - side scene lights & 700 series Scene LED marker light.





LH37233 LH37234

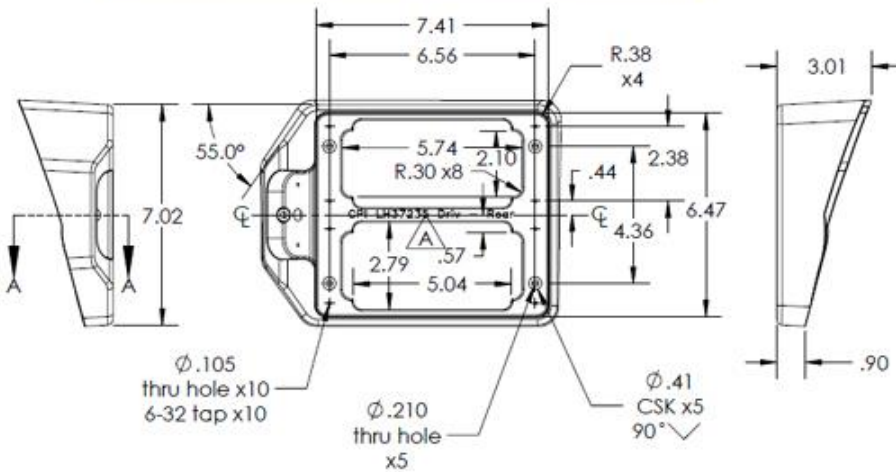
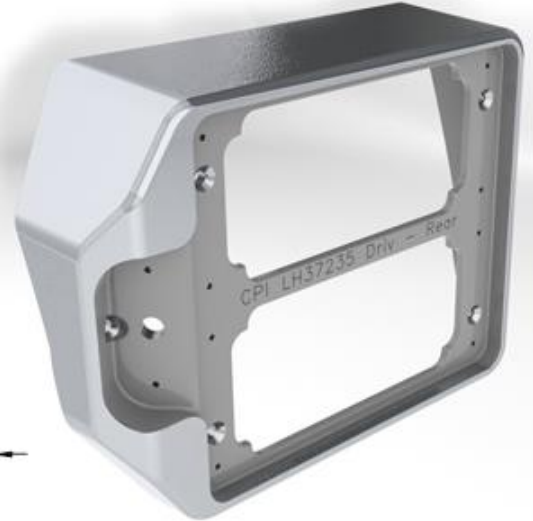
**LH37233-1 & LH37234-1**  
Front, Dual 3x7 Weldon Diamondback  
LED Lts & Single Marker Light Housing  
(2008-11 Dodge Sprinter)



- 1) Finish: Polished Exterior
- 2) For 3x7 Weldon Diamondback LED Lts & Single Marker Light ( no cuttingroof for clearance hole)
- 3) LH37233-1 Front-Driver side (opposite)  
LH37234-1 Front-Passenger side (shown).
- 4) For '08 - '11 Dodge Sprinter.

LH37235 LH37236

**LH37235-1 & LH37236-1**  
Rear, Dual 3x7 Weldon Diamondback  
LED Lts & Single Marker Light Housing  
(2008-11 Dodge Sprinter)



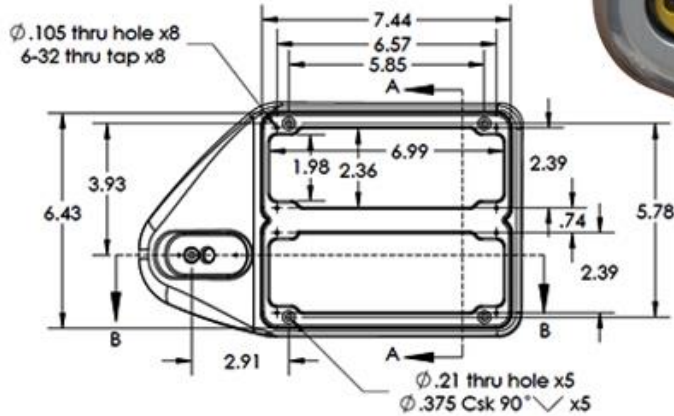
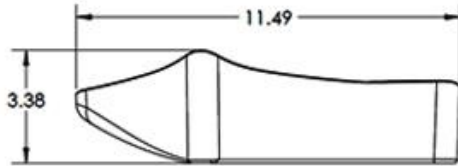
- 1) Finish: Polished Exterior
- 2) For 3x7 Weldon Diamondback LED Lts & Single Marker Light ( no cuttingroof for clearance hole)
- 3) LH37235-1 Rear-Driver side (shown)  
LH37236-1 Rear-Passenger side (opposite)
- 4) For '08 - '11 Dodge Sprinter.

# LH37237 LH37238

1. Finish: polished exterior surfaces.
2. For **Medium Roof** only, 2015 Ford Transit Cargo Van.
3. Combination 3x7 3x7 & Marker Light Light Housings: Front Driver and Passenger.

## LH37237-1 & LH37238-1 Driver/Passenger - Front/Side, Dual 3x7 Weldon LED Lts & Single Marker Light Housing (2015 Ford Transit Cargo Van - Medium Roof)

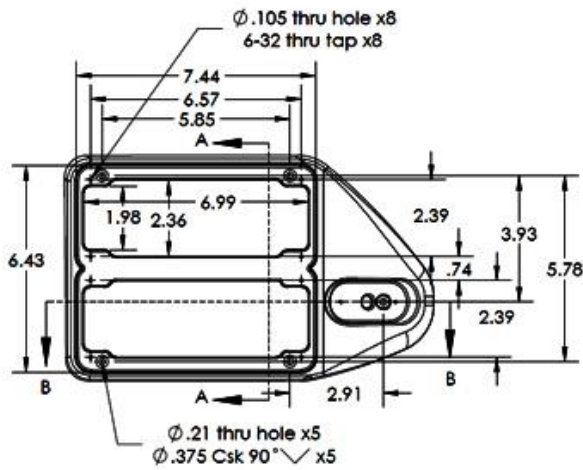
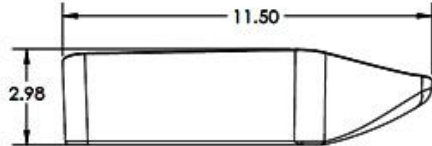
LH37237-1	<b>Driver</b> - Front on Medium Roof (shown)
LH37238-1	<b>Passenger</b> - Front on Medium Roof



## LH37239 LH37240

1. Finish: polished exterior surfaces.
2. For **Medium Roof** only, 2015 Ford Transit Cargo Van.
3. Combination 3x7 3x7 & Marker Light Housing: Rear Driver and Passenger.

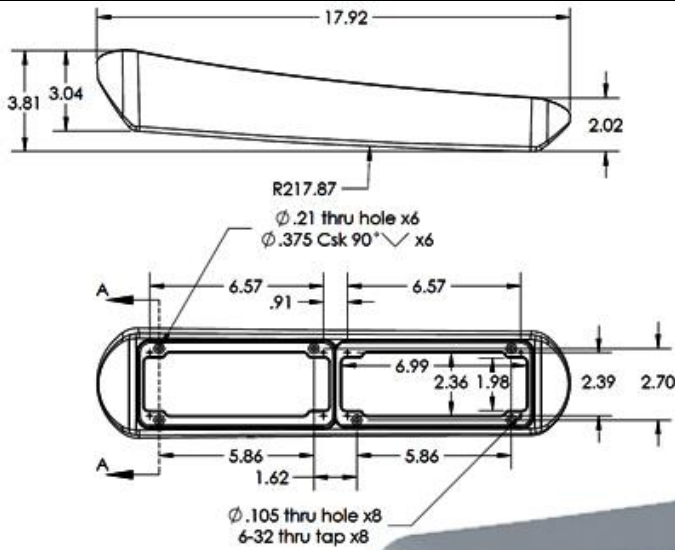
LH37239-1	<b>Driver - Rear</b> on Medium Roof (shown)
LH37240-1	<b>Passenger - Rear</b> on Medium Roof



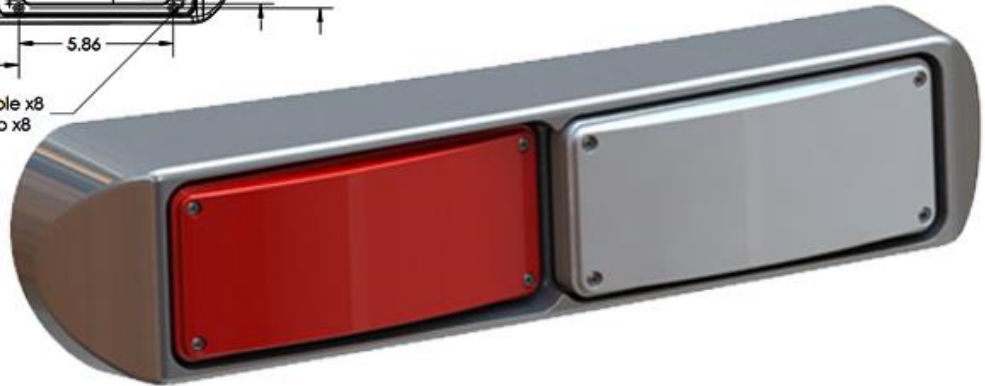
## LH37239-1 & LH37240-1 Driver/Passenger - Rear/Side, Dual 3x7 Weldon LED Lts & Single Marker Light Housing (2015 Ford Transit Cargo Van - Medium Roof)



**LH37241 LH37242**



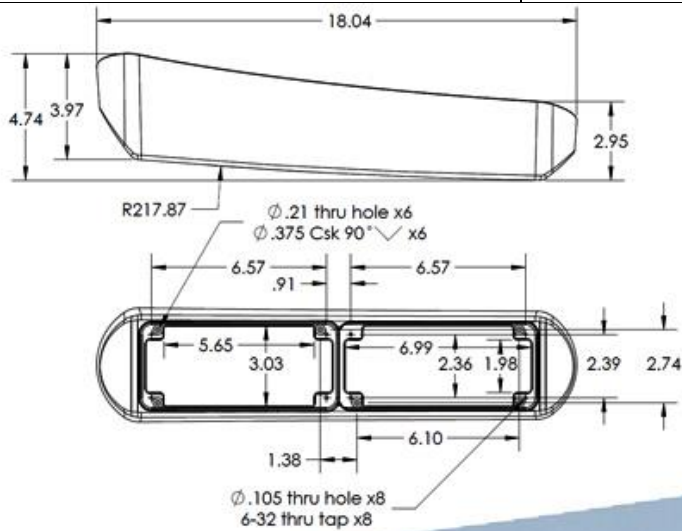
**LH37241-1 & LH37242-1  
Driver/Passenger - Rear, Dual 3x7 LED  
Lights (2015 Ford Transit Cargo Van -  
Medium Roof)**



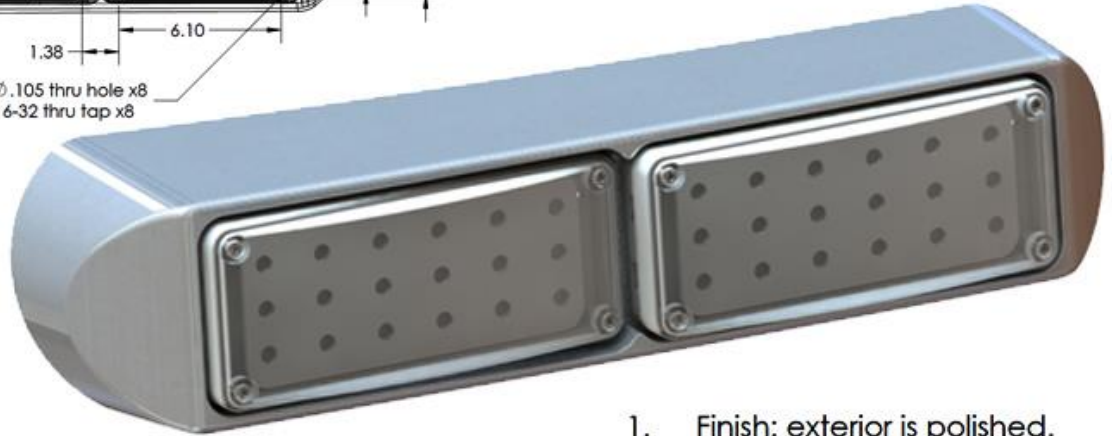
<b>LH37241 -1</b>	<b>Driver - Rear, Dual 3x7 LED Lights (Medium Roof) shown.</b>
<b>LH37242-1</b>	<b>Passenger - Rear, Dual 3x7 LED Lights (Medium Roof)</b>

1. Finish: exterior is polished.
2. For mounting Dual 3x7 Lights on rear doors of 2015 Ford Transit Cargo Van - **Medium Roof**).

**LH37243 LH37244**



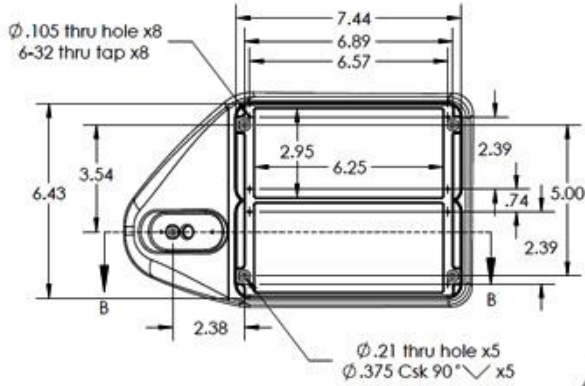
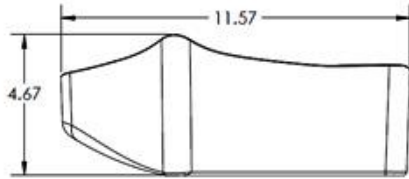
**LH37243-1 & LH37244-1  
Driver/Passenger - Rear, Dual 3x7 700  
Series Scene Lights (2015 Ford Transit  
Cargo Van - Medium Roof)**



<b>LH37243-1</b>	<b>Driver - Rear, Dual 3x7 700 Series Scene Lights (Medium Roof) shown.</b>
<b>LH37244-1</b>	<b>Passenger - Rear, Dual 700 Series Scene LED Lights (Medium Roof)</b>

1. Finish: exterior is polished.
2. For mounting Dual or Single 3x7 700 Series Scene Lights on rear doors of 2015 Ford Transit Cargo Van - **Medium Roof**).

# LH37245 LH37246



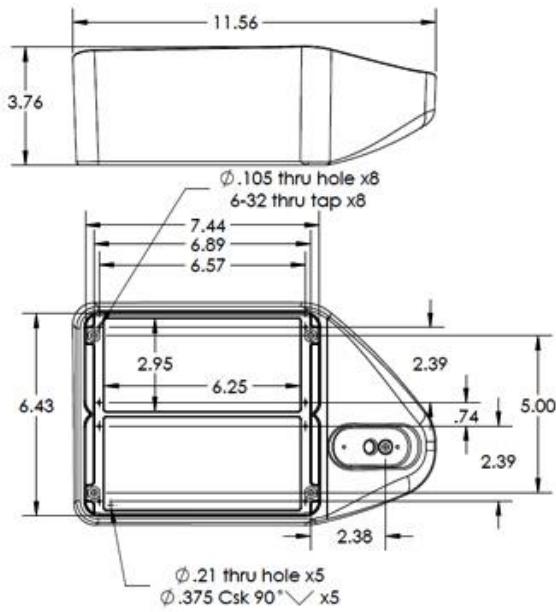
## LH37245-1 & LH37246-1 Driver/Passenger - Front/Side, Dual 3x7 700 Series Scene Lts & Single Marker Light Housing (2015 Ford Transit Cargo Van - Medium Roof)



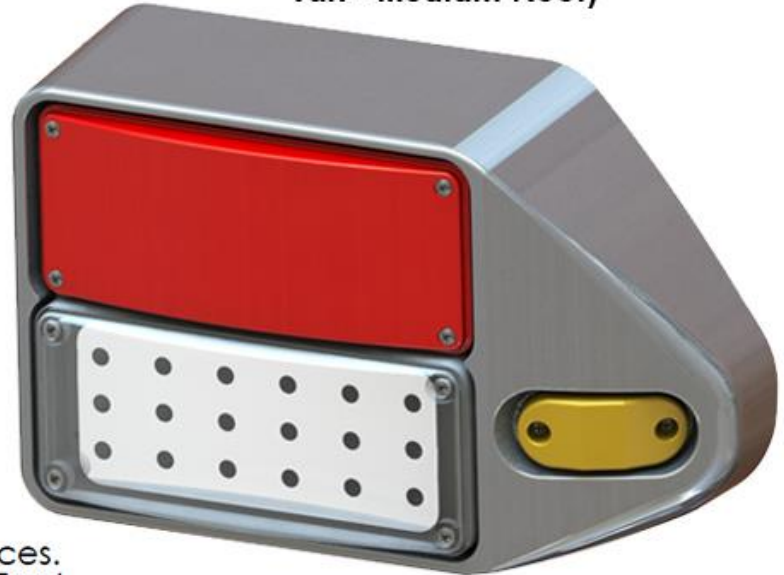
1. Finish: polished exterior surfaces.
2. For **Medium Roof** only, 2015 Ford Transit Cargo Van.
3. Combination 3x7 3x7 & Marker Light Housings: Front Driver and Passenger, for **700 Series Scene** LED Lights.

LH37245-1	<b>Driver</b> - Front on Medium Roof (shown)
LH37246-1	<b>Passenger</b> - Front on Medium Roof

# LH37247 LH37248



## LH37247-1 & LH37248-1 Driver/Passenger - Rear/Side, Dual 3x7 700 Series Scene Lts & Single Marker Light Housing (2015 Ford Transit Cargo Van - Medium Roof)

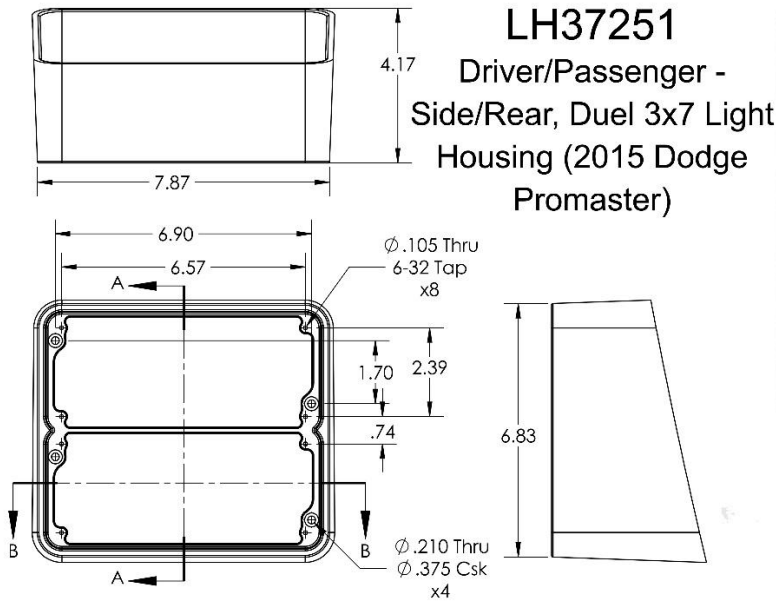


1. Finish: polished exterior surfaces.
2. For **Medium Roof** only, 2015 Ford Transit Cargo Van.
3. Combination 3x7 3x7 & Marker Light Housings: Rear Driver and Passenger, for **700 Series Scene** LED Lights.

LH37247-1	<b>Driver</b> - Rear on Medium Roof (shown)
LH37248-1	<b>Passenger</b> - Rear on Medium Roof



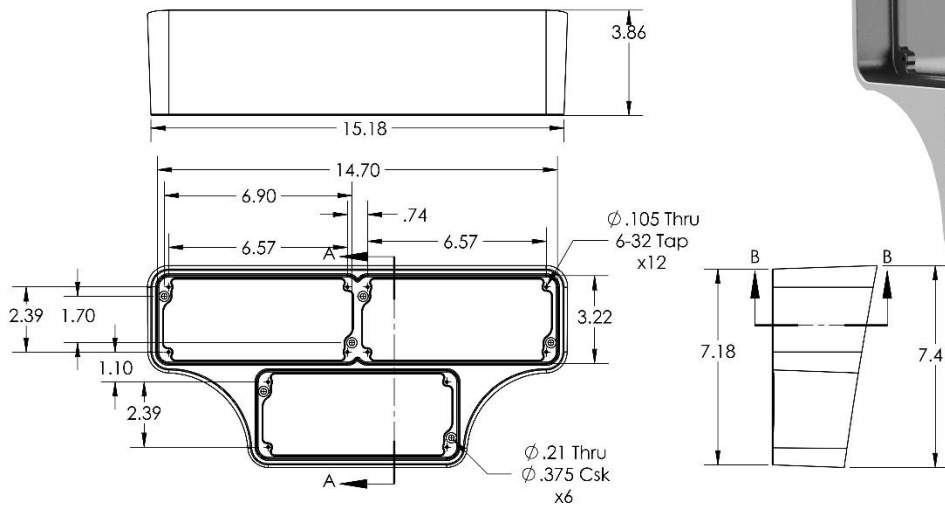
# LH37251



1. Finish: (-1) Polished exterior.
2. Duel 3x7 light housing, side/rear mount on Driver or Passenger side (2015 Dodge Promaster)

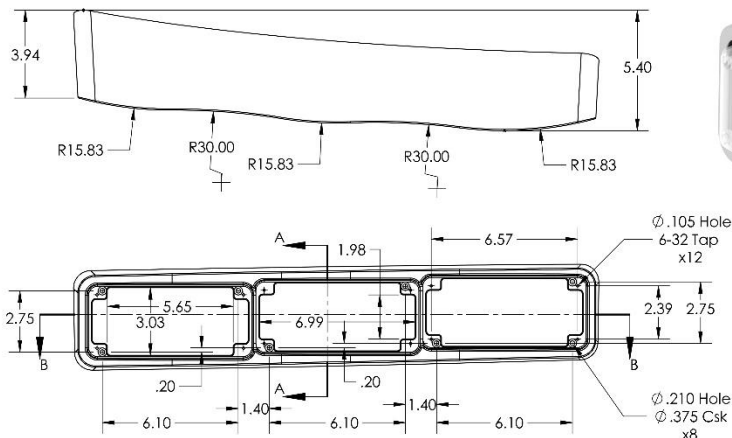
# LH37252

**LH37252**  
Driver/Passenger - Rear, Triple 3x7 Light Housing (2015 Dodge Promaster)



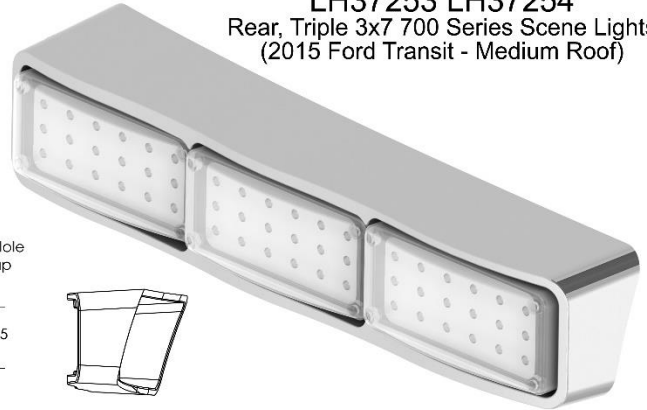
1. Finish: (-1) Polished exterior.
2. Triple 3x7 light housing for Driver or Passenger rear doors (2015 Dodge Promaster)

## LH37253 LH37254



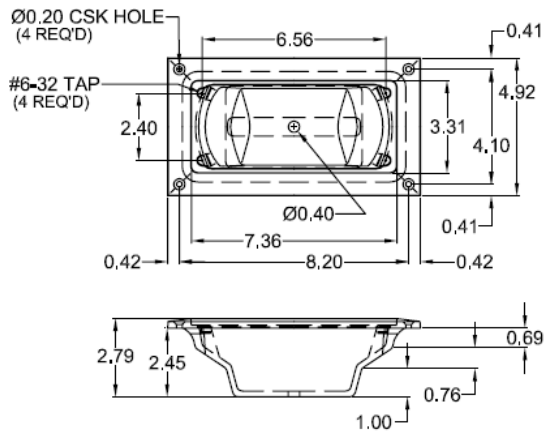
## LH37253 LH37254

Rear, Triple 3x7 700 Series Scene Lights  
(2015 Ford Transit - Medium Roof)



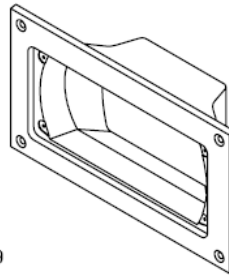
1) Finish: (-1) Polished exterior.

## LH37301



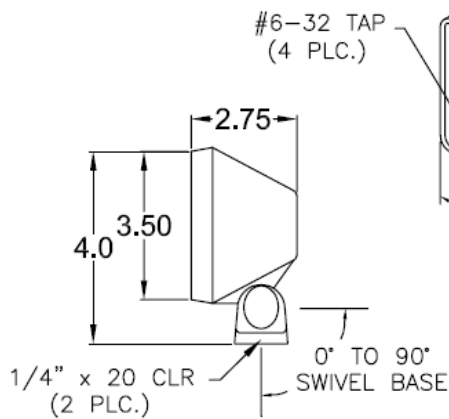
## LH37301

### Recessed Light Housing (3" x 7" Light)



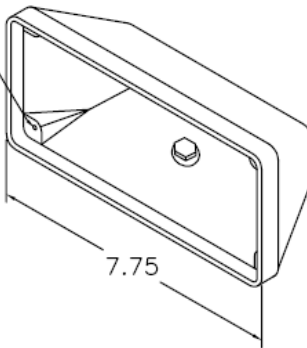
1) Finish: All exterior surfaces are bright polished.  
2) Angle: 0°  
3) Designed for the Tomar Halogen Light utilizing an enclosed back casting.

## LH37501



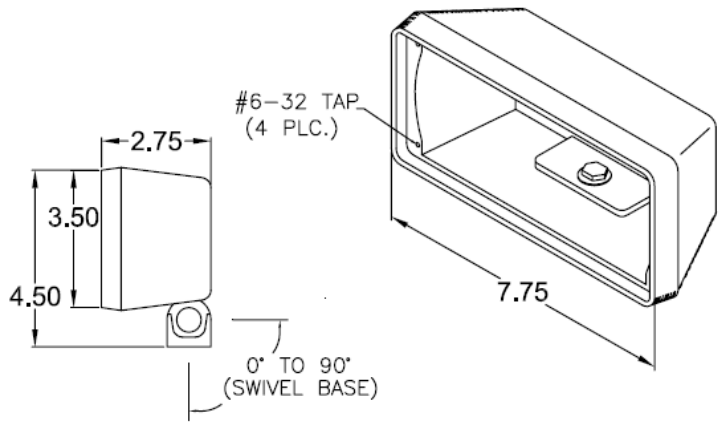
## LH37501

### Bumper Mount Light Housing (3" x 7" Light)



1) Finish: All exterior surfaces are bright polished or 120 grit ground.  
2) Mounting Angle: between 0° and 90°.

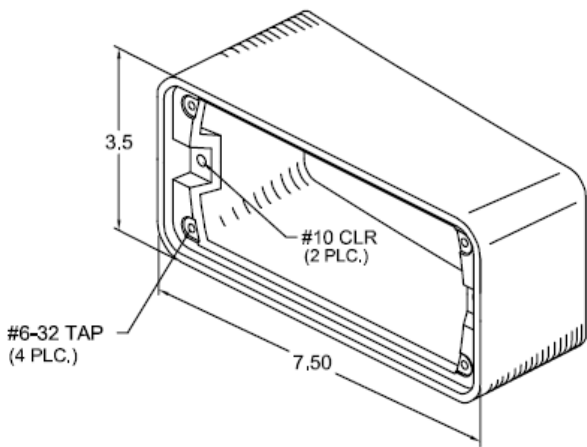
**LH37502**



**LH37502**  
**Bumper Mount Light Housing (3" x 7" Light)**

- 1) Finish: All exterior surfaces are bright polished or 120 grit ground.
- 2) Mounting Angle: between 0° and 90°.
- 3) Fits the Whelen 73 Series Light.

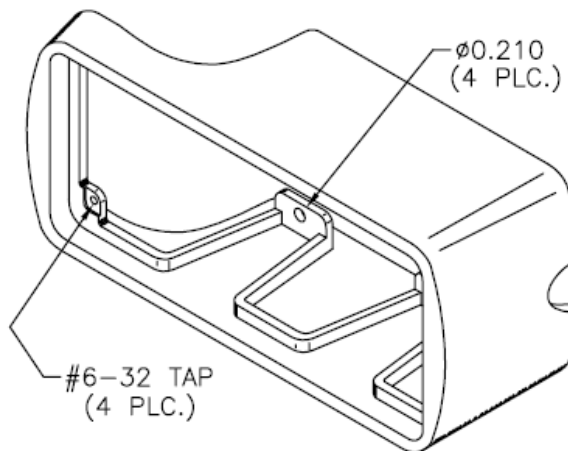
**LH37607**



**LH37607**  
**Grille Mount Light Housing (3" x 7" Light)**

- 1) Finish: All exterior surfaces are bright polished.
- 2) Parts mount to the face of the grille without cutting, drilling, or damaging the grille.
- 3) Mounts with an included backplate, from the backside of the grille.
- 4) For the 1994 & up Dodge D350 Truck Cab.

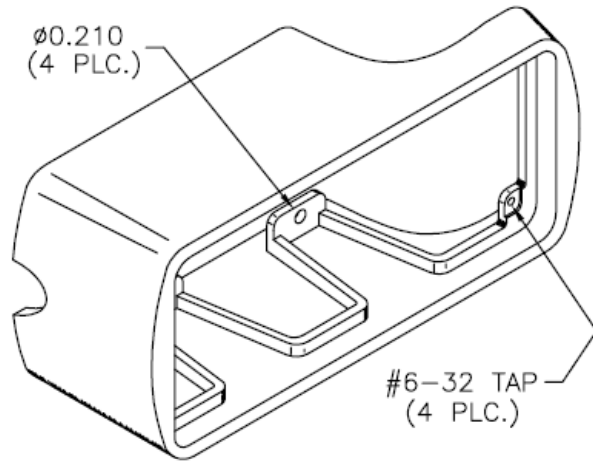
**LH37611**



**LH37611**  
**Grille Mount Light Housing (3" x 7" Light)**

- 1) Finish: All exterior surfaces are bright polished.
- 2) Angle: 0°
- 3) Mounts In the outboard openings of the grille on the 1997 Ford vans (Passenger Side).
- 4) Mounting bracket not shown.

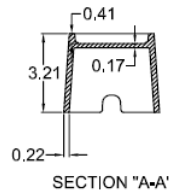
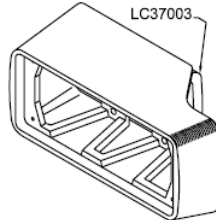
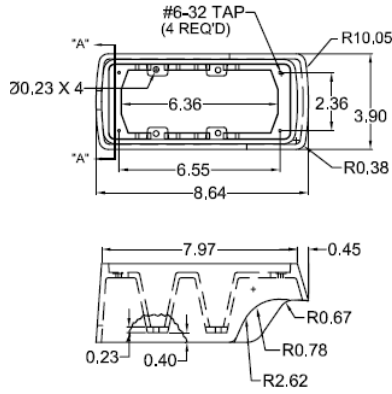
## LH37612



## LH37612 Grille Mount Light Housing (3" x 7" Light)

- 1) Finish: All exterior surfaces are bright polished.
- 2) Angle: 0°
- 3) Mounts in the outboard openings of the grille on the 1997 Ford vans (Driver Side).
- 4) Mounting bracket not shown.

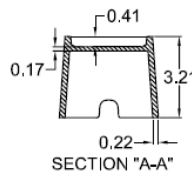
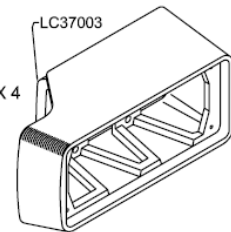
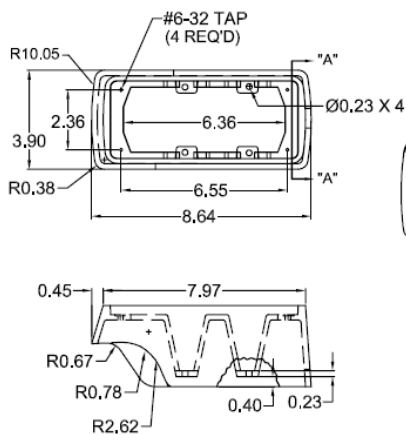
## LH37620



## LH37620 Grille Mount Light Housing (3" x 7" Light)

- 1) Finish: All exterior surfaces are bright polished.
- 2) Angle: 0°
- 3) Mounts in the grille on the 1999 Ford E350 Van (Passenger Side).

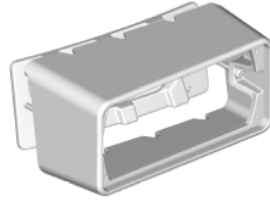
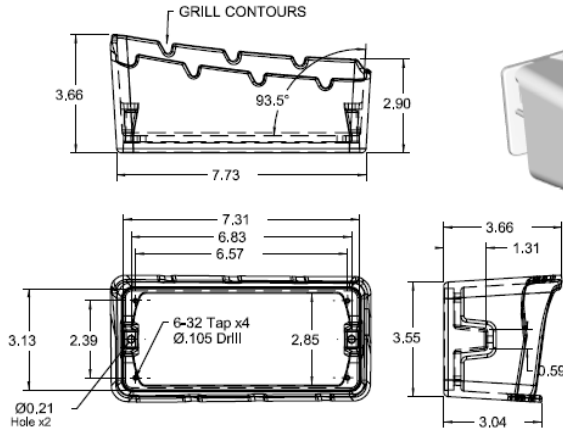
## LH37621



## LH37621 Grille Mount Light Housing (3" x 7" Light)

- 1) Finish: All exterior surfaces are bright polished.
- 2) Angle: 0°
- 3) Mounts in the grille on the 1999 Ford E350 Van (Driver Side).

## LH37630

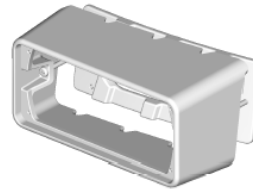
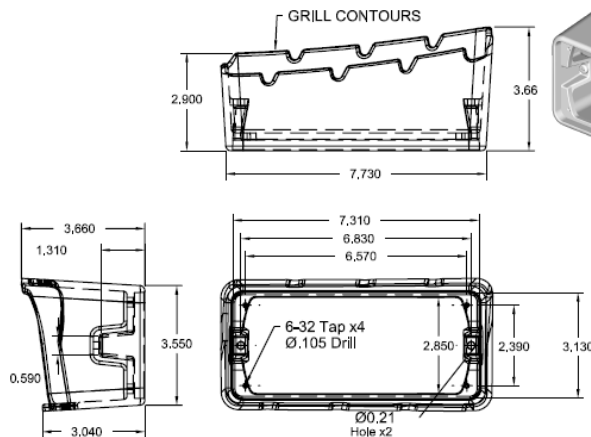


## LH37630

**Passenger - 3" x 7"  
Light - Grille Mnt Lt  
Housing (2002  
International 4300)**

- 1) Finish: polished.
- 2) Designed for use with a 3" x 7" Light on the 2002-05 International 4300 4400.

## LH37631

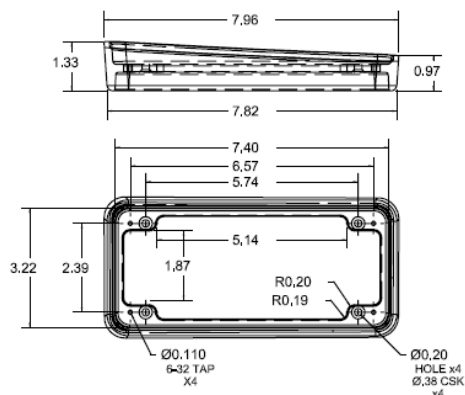


## LH37631

**Driver - 3" x 7"  
Light - Grille Mnt Lt  
Housing (2002  
International 4300)**

- 1) Finish: polished.
- 2) Designed for use with a 3" x 7" Light on the 2002-05 International 4300 4400.

## LH37632

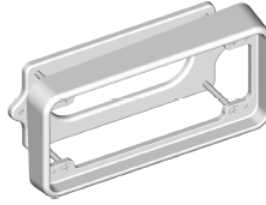
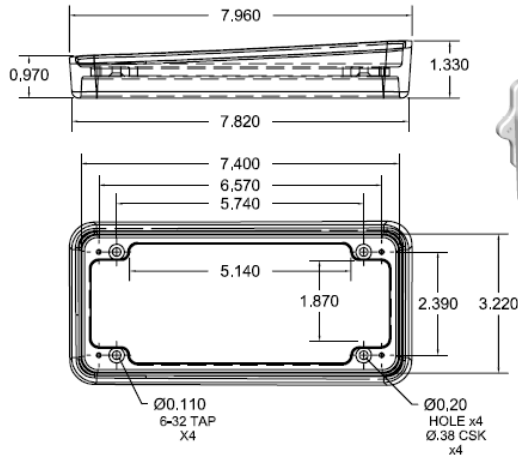


## LH37632

**Grille Mount Lt Hsg  
- 3" x 7" LED - 2003  
Chevy C4500 (Fixed  
Grille) - Pass**

- 1) Finish: polished.
- 2) Designed for use with a 3" x 7" Light on the 2003-05 Chevy C4500 (Fixed Grille).

## LH37633

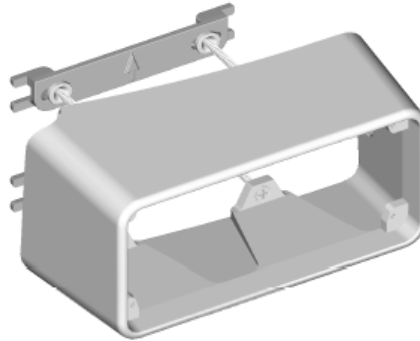
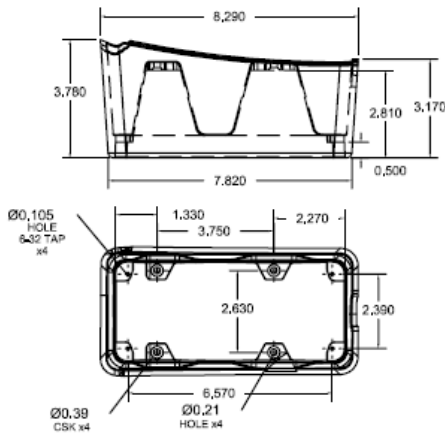


## LH37633

**Grille Mount Lt Hsg  
- 3" x 7" LED - 2003  
Chevy C4500 (Fixed  
Grille) - Driver**

- 1) Finish: polished.
- 2) Designed for use with a 3" x 7" Light on the 2003-05 Chevy C4500 (Fixed Grille).

## LH37638

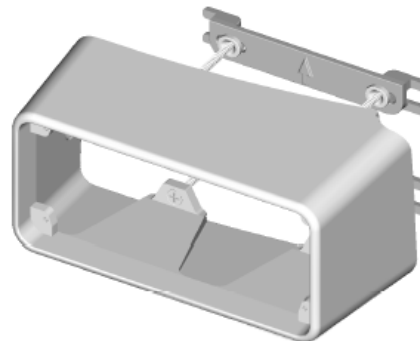
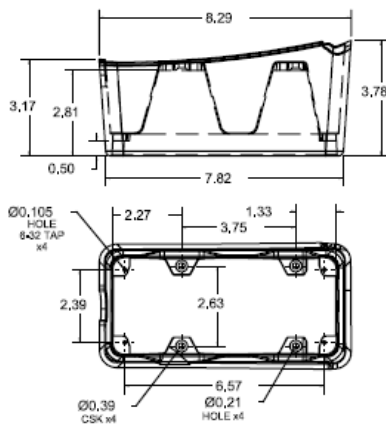


## LH37638

**Grille Mount Lt Hsg - 3" x 7"  
2003 Ford E350, E450, E550  
Van - Pass**

- 1) Finish: polished.
- 2) Designed for use as a Grille Mount Lt Hsg - 3" x 7" - 2003 Ford E350, E450, E550 Van.

## LH37639

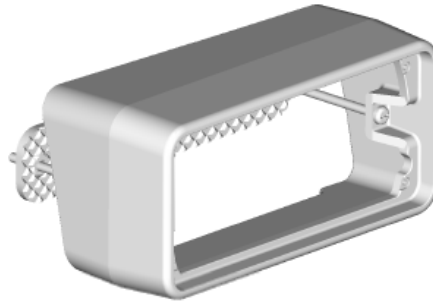
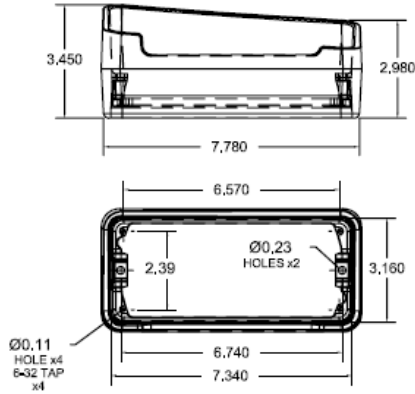


## LH37639

**Grille Mount Lt Hsg - 3" x 7"  
2003 Ford E350, E450, E550  
Van - Driver**

- 1) Finish: polished.
- 2) Designed for use as a Grille Mount Lt Hsg - 3" x 7" - 2003 Ford E350, E450, E550 Van.

## LH37640

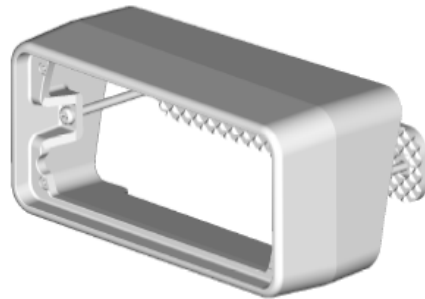
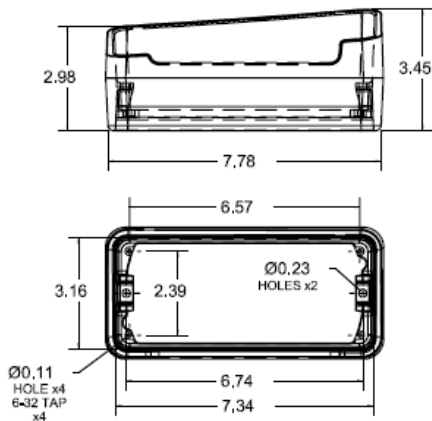


## LH37640

**Grille Mount Lt Hsg - 3" x 7" -  
2003 Chevy G3500 Van - Pass  
(2004 C3500)**

- 1) Finish: polished.
- 2) Designed for use as a Grille Mount Lt Hsg - 3" x 7" - 2003 Chevy G3500 Van - Pass (2004 C3500)

## LH37641

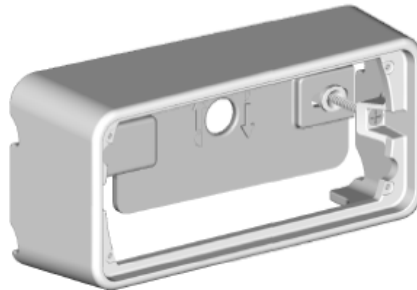
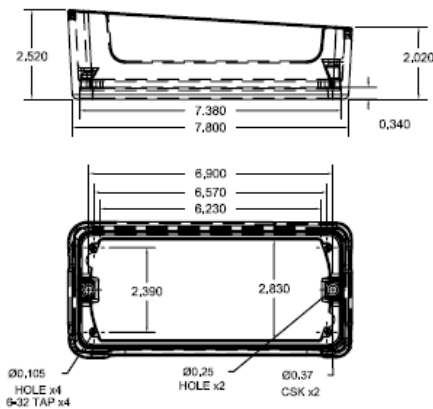


## LH37641

**Grille Mount Lt Hsg - 3" x 7" -  
2003 Chevy G3500 Van - Driv  
(2004 C3500)**

- 1) Finish: polished.
- 2) Designed for use as a Grille Mount Lt Hsg - 3" x 7" - 2003 Chevy G3500 Van - Driv (2004 C3500)

## LH37642

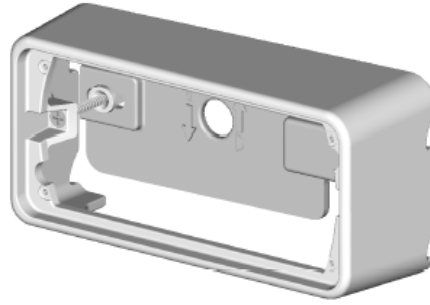
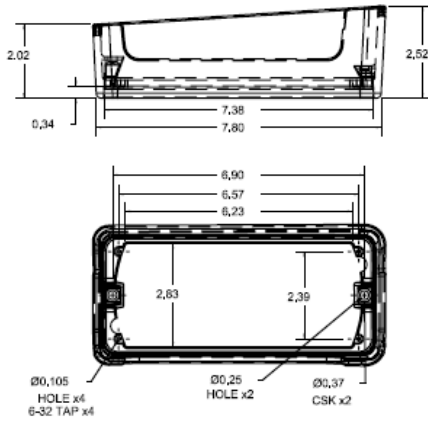


## LH37642

**Grille Mount Lt Hsg - 3" x 7" -  
2003-05 Freightliner M2 - Pass**

- 1) Finish: polished.
- 2) Designed for use as a Grille Mount Lt Hsg - 3" x 7" - 2003-05 Freightliner M2 - Pass

## LH37643

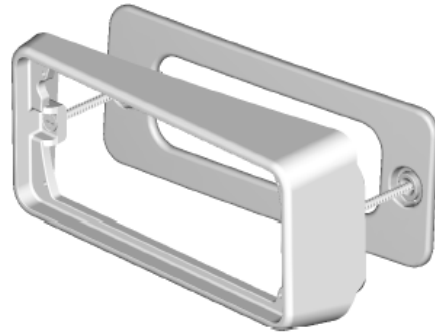
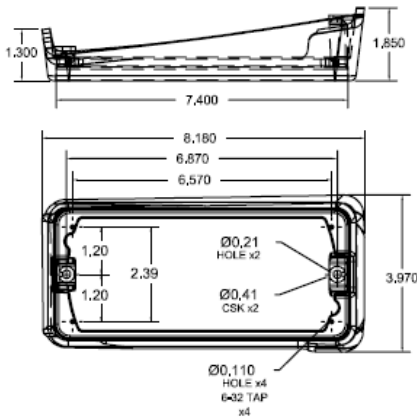


## LH37643

**Grille Mount Lt Hsg - 3" x 7" -  
200305 Freightliner M2 - Driv**

- 1) Finish: polished.
- 2) Designed for use as a Grille Mount Lt Hsg - 3" x 7" - 200305 Freightliner M2 - Driv

## LH37646

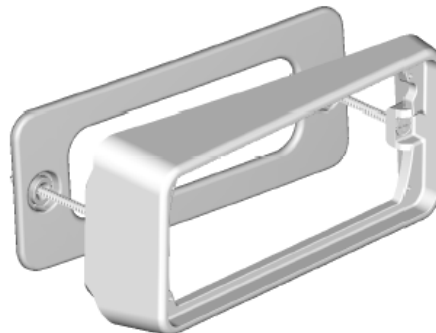
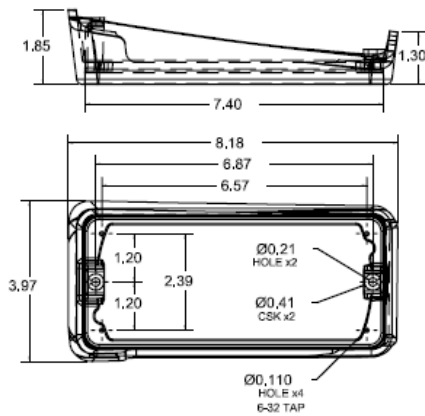


## LH37646

**Driver side, 3" x 7" 2005  
Ford F350 SD (F Series)  
Grille Mount Hsg**

- 1) Finish: polished.
- 2) Designed for use as a Driver side, 3" x 7" 2005 Ford F350 SD (F Series) Grille Mount Hsg

## LH37647



## LH37647

**Passenger side, 3" x 7" 2005  
Ford F350 SD (F Series)  
Grille Mount Hsg**

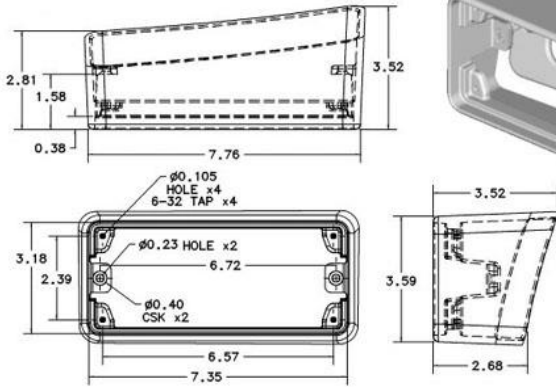
- 1) Finish: polished.
- 2) Designed for use as a Passenger side, 3" x 7" 2005 Ford F350 SD (F Series) Grille Mount Hsg



## LH37650 LH37651

### LH37650 and LH37651 Grille Mount Housings for 2006-07 Chevy G3500

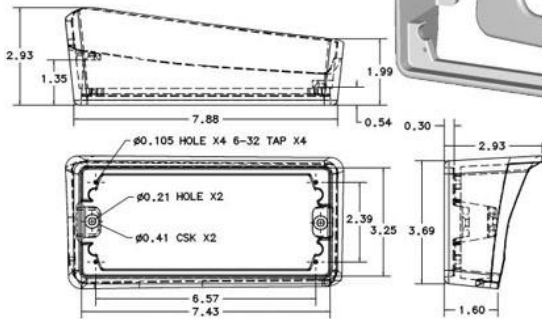
- 1) Finish: polished exterior.
- 2) LH37650 Driver Side.  
LH37651 Passenger Side.
- 3) For 3" X 7" Lights.



## LH37656 LH37657

### LH37656 and LH37657 Grille Mount Hous- ings for 2007-08 Chevy C,K3500 HD

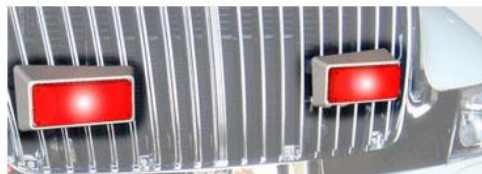
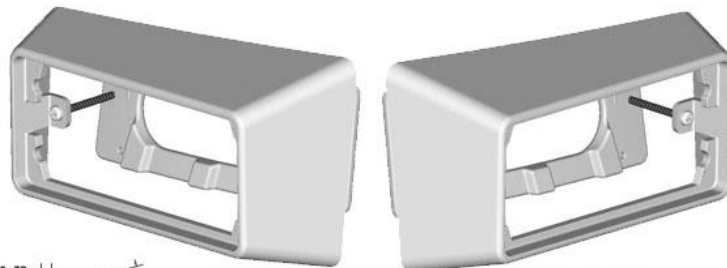
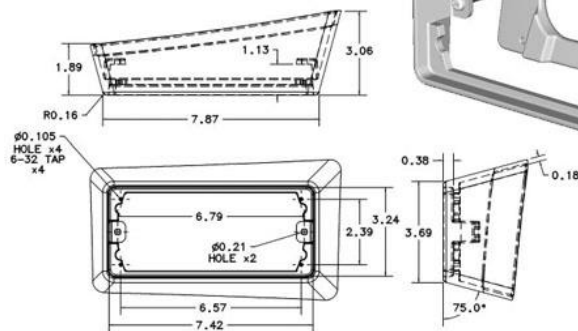
- 1) Finish: polished exterior.
- 2) LH37656 Driver Side.  
LH37657 Passenger Side.
- 3) For 3" X 7" Lights.



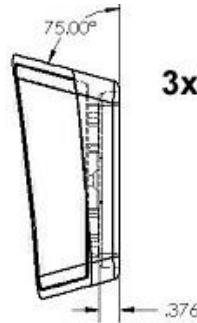
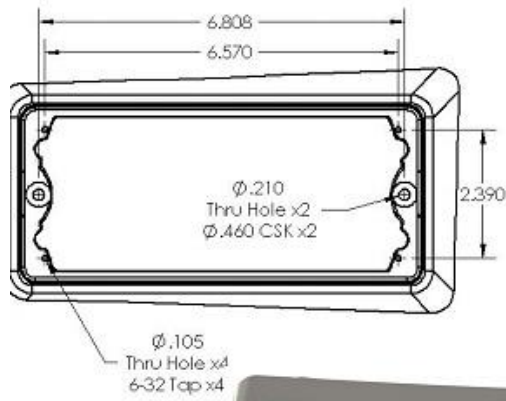
## LH37658 LH37659

### LH37658 and LH37659 Grille Mount Hous- ings for 2007-08 International 4300

- 1) Finish: polished exterior.
- 2) LH37658 Driver Side.  
LH37659 Passenger Side.
- 3) For 3" X 7" Lights.



**LH37662 LH37663**

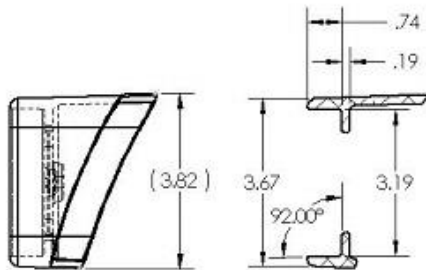
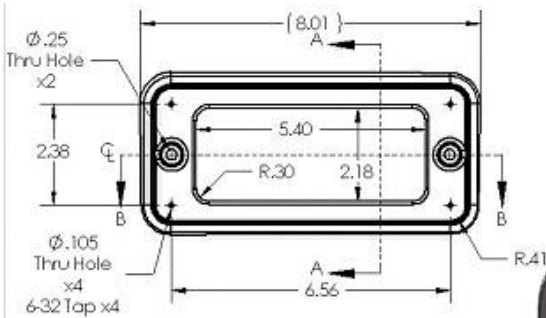


**LH37662 & LH37663**  
**3x7 LED 2008 International 4300 Grille**  
**Mount Housings**

- 1) Finish: Polished
- 2) LH37662 Driver Side Shown
- 3) LH37663 Passenger Side is opposite



**LH37664 LH37665**



**LH37664 & LH37665**  
**Federal Signal 3x7 LED '08-'09 Chevy**  
**G3500 Grille Mount Housings**

- 1) Finish: Polished
- 2) LH37665 Passenger Side Shown
- 3) LH37664 Driver Side is opposite

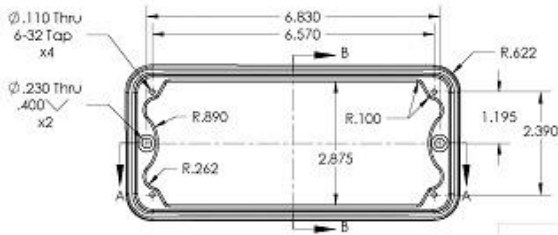
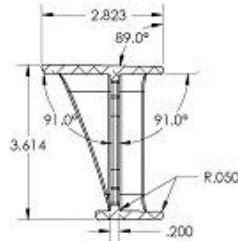


**LH37666 LH37667**

**LH37666 & LH37667**

**Whelen 3x7 LED only -  
'08-'09 Chevy G3500 Grille Mount Housings**

- 1) Finish: Ball-burnished w/ Exterior Surface Polished
- 2) LH37667 Passenger Side Shown
- 3) LH37666 Driver Side is opposite

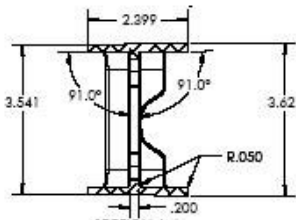
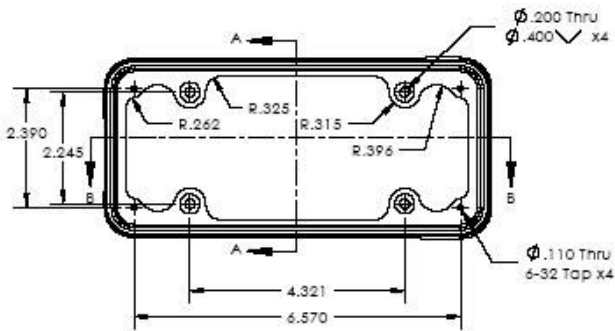


**LH37668 LH37669**

**LH37668-1 & LH37669-1**

**Grille Mount Light Housing Assembly -  
'04 -'09 Dodge D3500 (Whelen 3x7 LED only)**

- 1) Finish: Ball-burnished w/ Exterior Surfaces Polished
- 2) LH37668-1 Driver side (shown)
- LH37669-1 Passenger side is opposite
- 3) Grille mount light housing for '04-'09 Dodge D3500 (Whelen 3x7 LED)

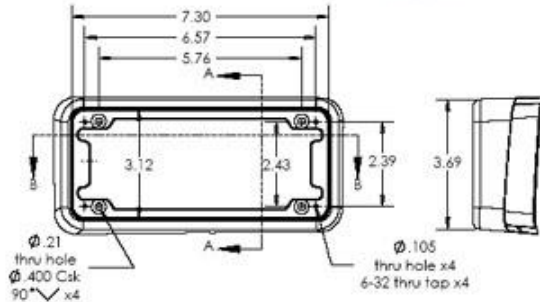


**LH37670 LH37671**



**LH37670-1 & LH37671-1**  
**Whelen 3x7 LED only - 2011 Ford F series**  
**SD, Grille Mount Hsg Assembly**

- 1) Finish: Ball-burnished w/ Exterior Surfaces Polished
- 2) LH37670-1 Passenger side (shown)  
LH37671-1 driver side is opposite
- 3) Grille mount light housing for 2011 Ford F series SD (Whelen 3x7 LED only).

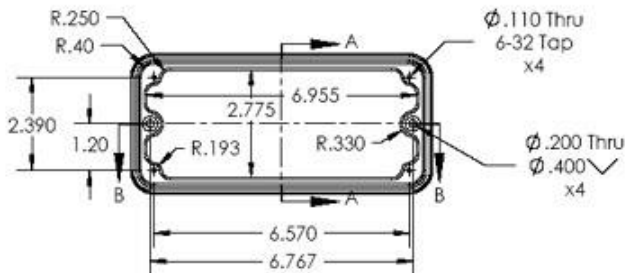


**LH37672 LH37673**

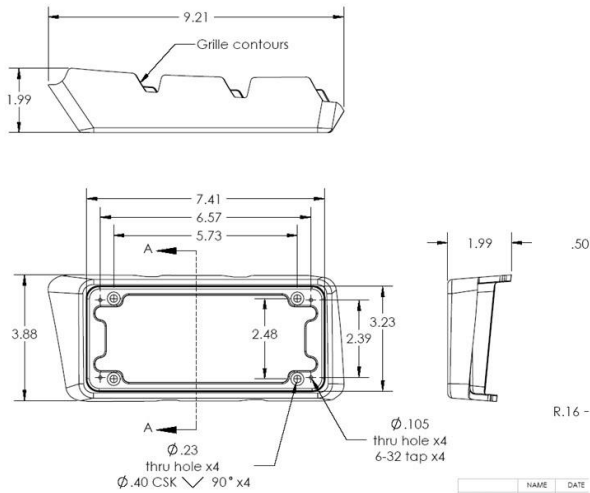


**LH37672-1 & LH37673-1**  
**Whelen 3x7 LED only - 2010 Dodge 3500**  
**Truck Cab, Grille Mount Hsg Assembly**

- 1) Finish: Ball-burnished w/ Exterior Surfaces Polished
- 2) LH37672-1 Passenger side (shown)  
LH37673-1 driver side is opposite
- 3) Grille mount light housing for 2010 Dodge 3500 (Whelen 3x7 LED only).



**LH37674 LH37675**

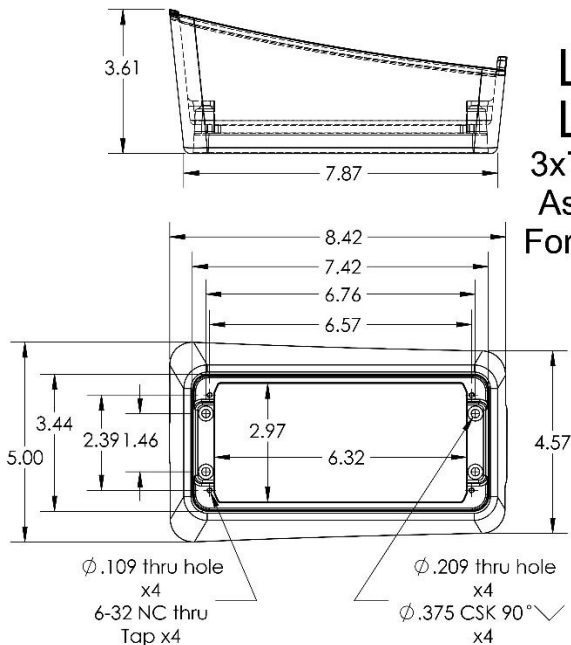


**LH37674-1 LH37675-1**  
 Whelen 3x7 LED only -  
 2011 International TerraStar  
 Grille Mount Hsgs

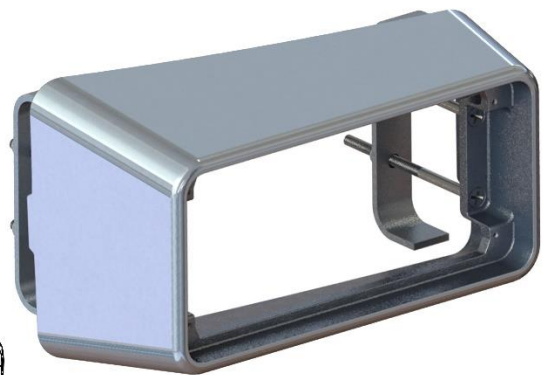
- 1) Finish: Polished exterior
- 2) For 3x7 LED only.
- 3) Grille mount 3x7 light housings for 2010 International TerraStar.



**LH37676 LH37677**

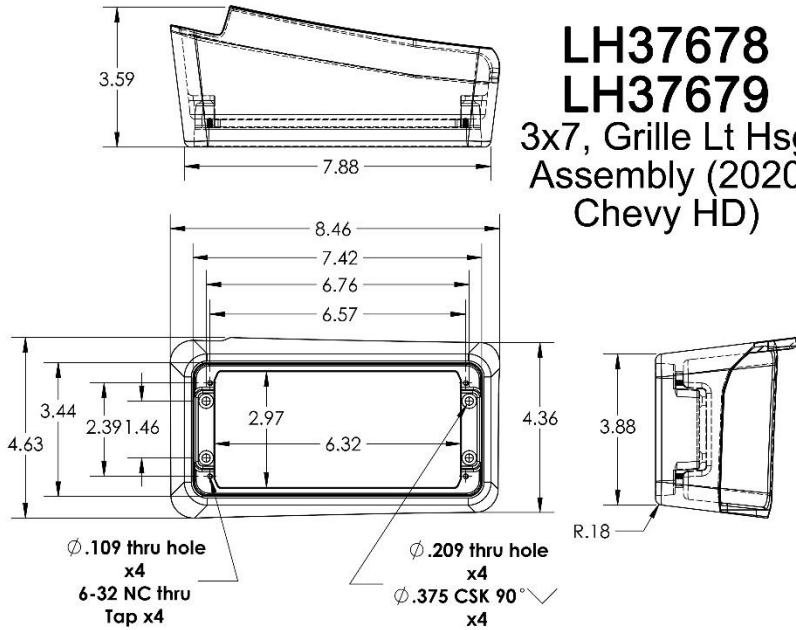


**LH37676  
 LH37677**  
 3x7, Grille Lt Hsg  
 Assembly (2017  
 Ford F Series SD)

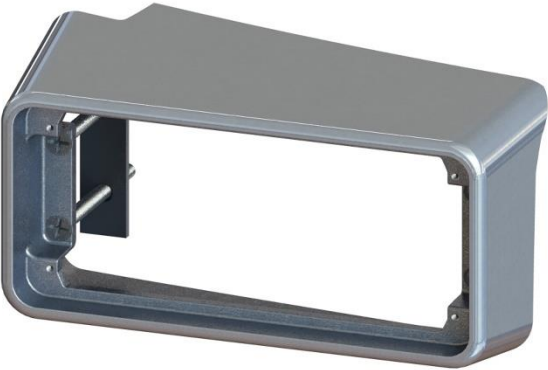


- 1) Finish: exterior surfaces are polished.
- 2) For 3x7, Grille Lt Hsg (2017 Ford F Series SD) (for Whelen 700 series, LED, Linear Strobe, Halogen, Scene and Weldon 3700 series Light).
- 3) 3x7 Grille Housing: works with both Grille Style Options.

**LH37678 LH37679**

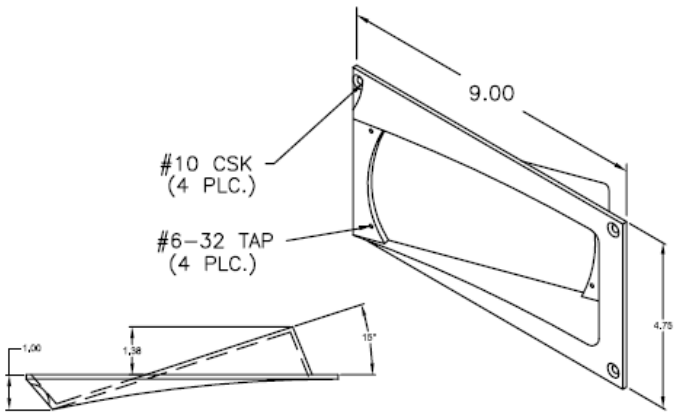


**LH37678  
LH37679**  
3x7, Grille Lt Hsg  
Assembly (2020  
Chevy HD)



1. Finish: exterior surfaces are polished.
2. For 3x7, Grille Lt Hsg (2020 Chevy HD) (for Whelen 700 series, LED and Halogen 700 series Light).

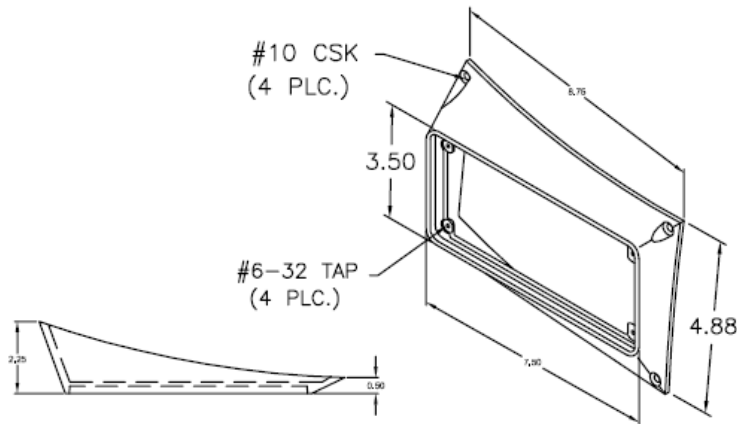
**LH37701**



**LH37701**  
**Intersection Light Housing**  
**(3" x 7" Light)**

- 1) Finish: All exterior surfaces are bright polished or 120 grit ground.
- 2) Angle: 15°
- 3) Mounts above the fender to "tilt-forward" the warning light toward the intersection.

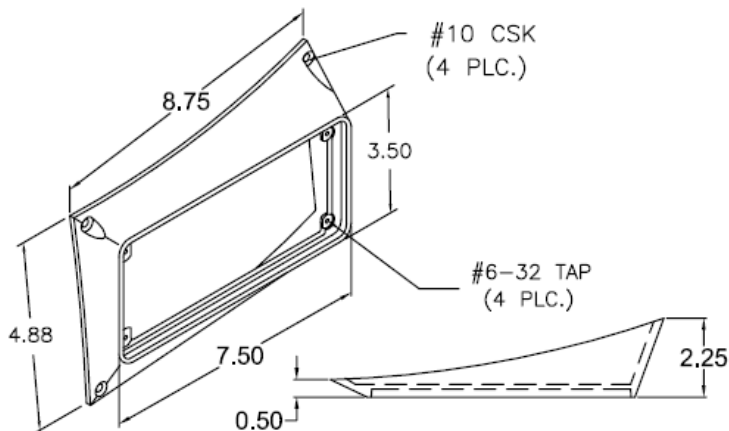
## LH37702



## LH37702 Intersection Light Housing (3" x 7" Light)

- 1) Finish: All exterior surfaces are bright polished.
- 2) Designed to mount an Intersection light on the front fender of the 1992 and up Ford E350 van (Passenger Side).
- 3) Tomar Strobe only (No Halogen Light).

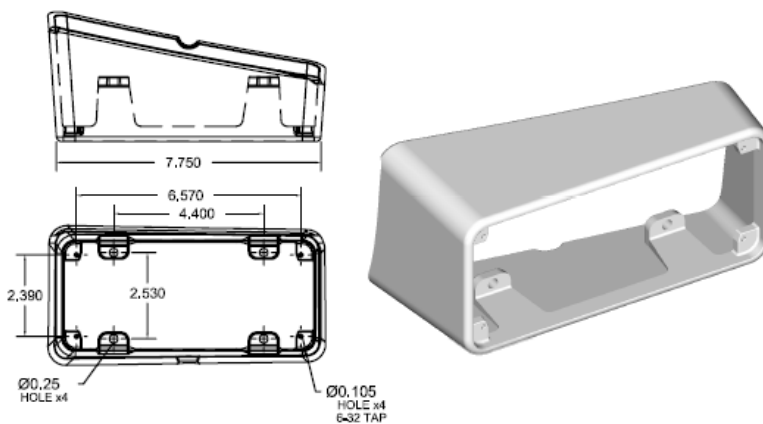
## LH37703



## LH37703 Intersection Light Housing (3" x 7" Light)

- 1) Finish: All exterior surfaces are bright polished.
- 2) Designed to mount an Intersection light on the front fender of the 1992 and up Ford E350 van (Driver Side).
- 3) Tomar Strobe only (No Halogen Light).

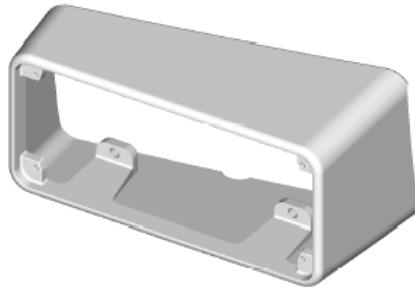
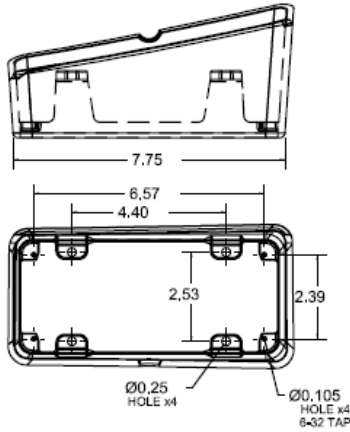
## LH37712



## LH37712 "Under-the-HeadLight" Housing (3" x 7" Light)

- 1) Finish: All surfaces are bright polished.
- 2) Angle: 0°
- 3) Mounts in the sheetmetal area directly below the headlights on the 1992-97 Ford Vans (Pass. Side).
- 4) Total surface mount. No clearance holes for the reflector required.

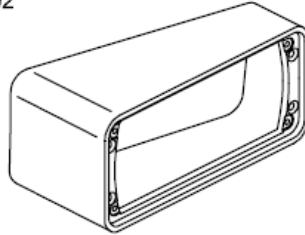
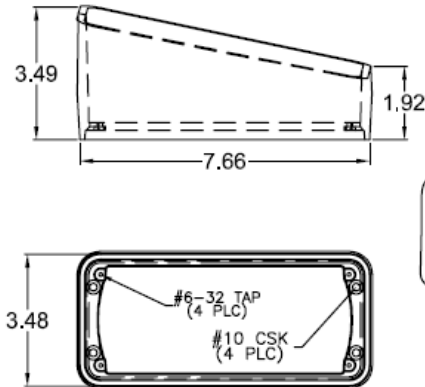
## LH37713



## LH37713 "Under-the-HeadLight" Housing (3" x7" Light)

- 1) Finish: All surfaces are bright polished.
- 2) Angle:  $0^\circ$
- 3) Mounts in the sheetmetal area directly below the headlights on the 1992-97 Ford Vans (Driver Side).
- 4) Total surface mount. No clearance holes for the reflector required.

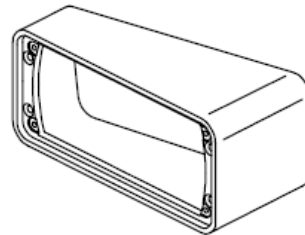
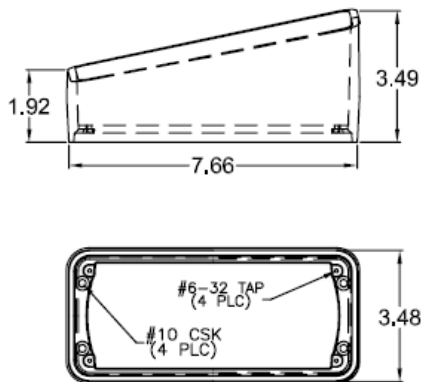
## LH37722



## LH37722 Intersection Light Housing (3" x7" Light)

- 1) Finish: All exterior surfaces are bright polished.
- 2) Angle:  $15^\circ$
- 3) Mounts on the fender for an intersection light housing on the 1999 Ford F350 Super Duty (Passenger Side).

## LH37723

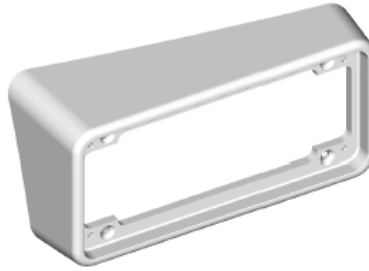
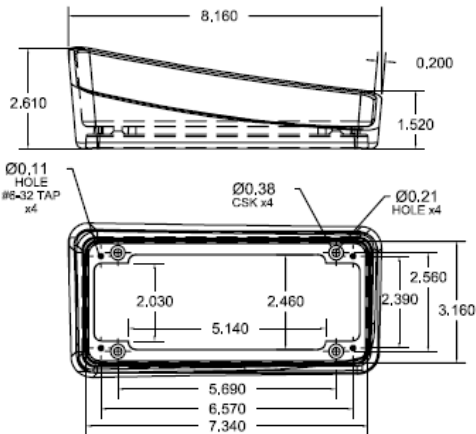


## LH37723 Intersection Light Housing (3" x7" Light)

- 1) Finish: All exterior surfaces are bright polished.
- 2) Angle:  $15^\circ$
- 3) Mounts on the fender for an intersection light housing on the 1999 Ford F350 Super Duty (Driver Side).



## LH37734

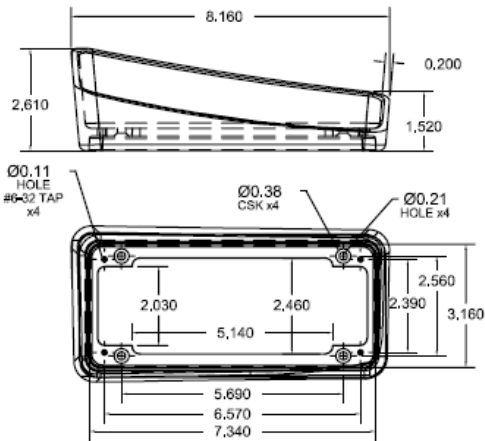


## LH37734

**Driver Intersection Lt Hsg.  
3" x 7" Light - 20d. Tilt -  
2002-05 International 4300  
(Whelen 73 LED Only !)**

- 1) Finish: polished.
- 2) Angle:  $0^\circ$
- 3) Driver Intersection Lt Hsg. 3" x 7" Light 2002-05 International 4300 (Whelen 73 LED Only !)

## LH37735

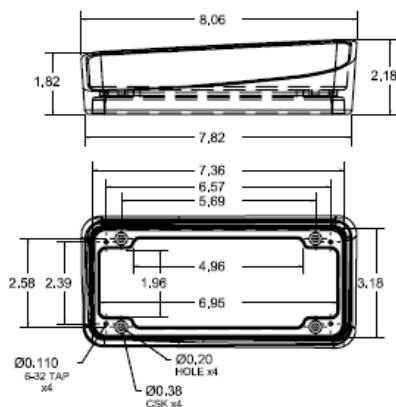


## LH37735

**Pass Intersection Lt Hsg.  
3" x 7" Light - 20d. Tilt -  
2002-05 International 4300  
(Whelen 73 LED Only !)**

- 1) Finish: polished.
- 2) Angle:  $0^\circ$
- 3) Passenger Intersection Lt Hsg. 3" x 7" Light 2002-05 International 4300 (Whelen 73 LED Only !)

## LH37736

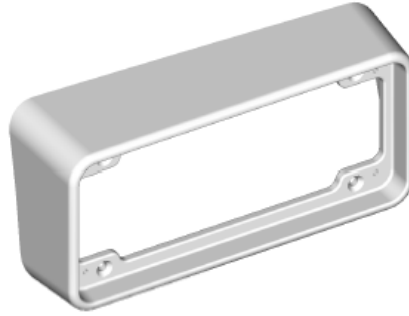
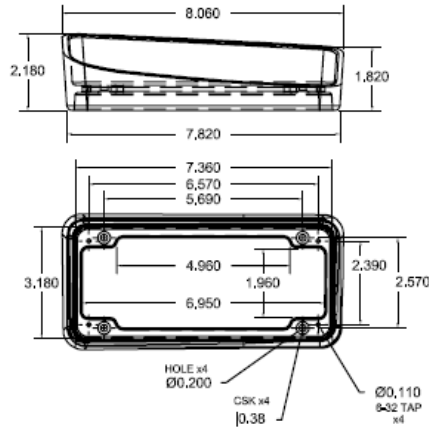


## LH37736

**Intersection Lt Hsg - 0d. -  
3" x 7" LED Light - 2003  
Chevy/GMC C4500 - Pass.**

- 1) Finish: polished.
- 2) Angle:  $0^\circ$
- 3) Passenger Intersection Lt Hsg - 0d. - 3" x 7" LED Light - 2003-05 Chevy/GMC C4500

## LH37737

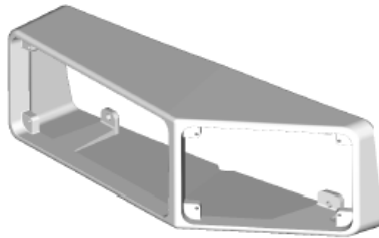
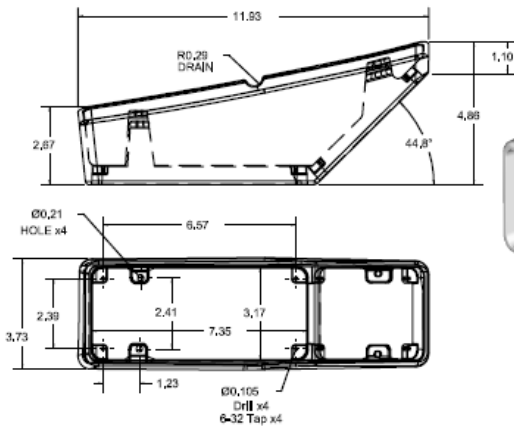


## LH37737

**Intersection Lt Hsg - Od. -  
3" x 7" LED Light - 2003  
Chevy/GMC C4500 - Driv.**

- 1) Finish: polished.
- 2) Angle: 0°
- 3) Driver Intersection Lt Hsg - Od. -  
3" x 7" LED Light - 2003-05  
Chevy/GMC C4500

## LH37738

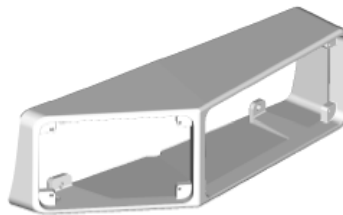
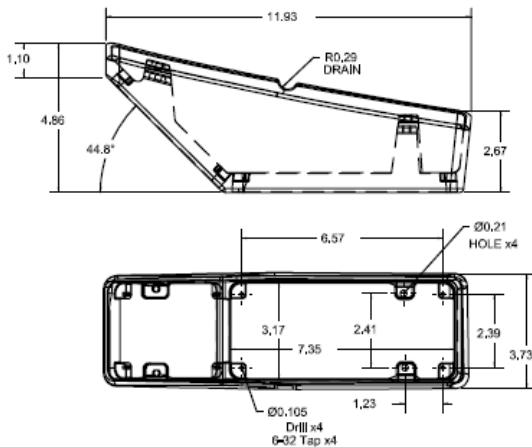


## LH37738

**Comb. 3" x 7" Light Fwd /  
3" x 5" Light Int. Driver Lt  
Hsg - 92-04 Ford E350 UTH**

- 1) Finish: polished.
- 2) Angle: 0° and 44°
- 3) Driver Light Hsg - Od. - 3" x 7"  
and 44d. 3" x 4" Light - 2000-05 Ford  
E350 Under-the-headlight

## LH37739

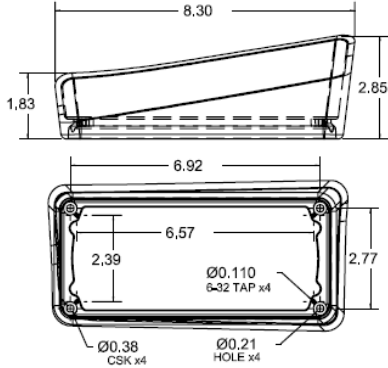


## LH37739

**Comb. 3" x 7" Light Fwd /  
3" x 5" Light Int. Pass. Lt  
Hsg - 92-04 Ford E350 UTH**

- 1) Finish: polished.
- 2) Angle: 0° and 44°
- 3) Passenger Light Hsg - Od. - 3" x  
7" and 44d. 3" x 4" Light - 2000-05  
Ford E350 Under-the-headlight

## LH37744

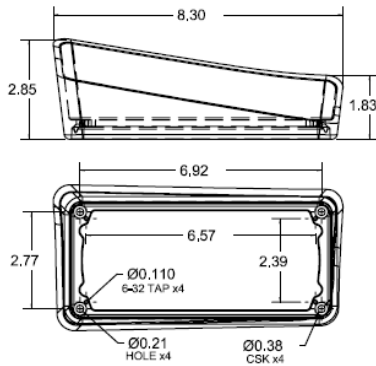


## LH37744

### Driver - 2005 Ford F350 SD 15° Intersection Light Housing 3" x 7" Lights

- 1) Finish: polished.
- 2) Angle: 15°
- 3) Driver - 2005 Ford F350 SD Intersection Light Housing 3" x 7" Lights

## LH37745

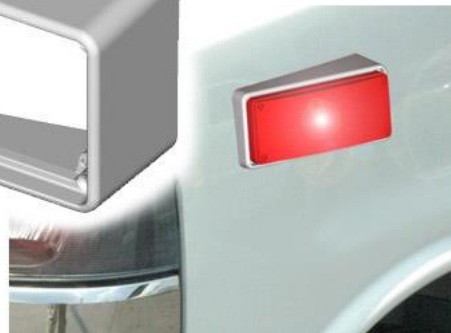
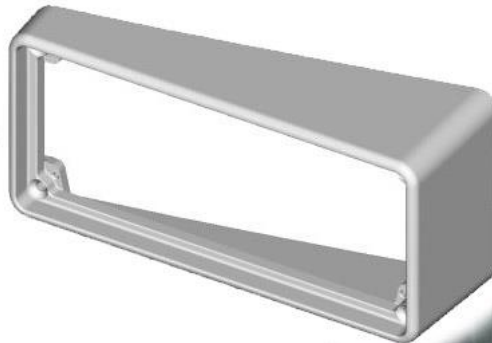
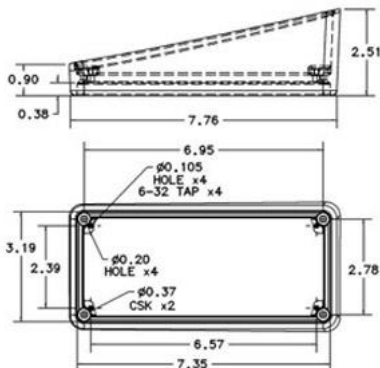


## LH37745

### Passenger - 2005 Ford F350 SD 15° Intersection Light Housing 3" x 7" Lights

- 1) Finish: polished.
- 2) Angle: 15°
- 3) Passenger - 2005 Ford F350 SD Intersection Light Housing 3" x 7" Lights

## LH37746 LH37747



## LH37746 and LH37747

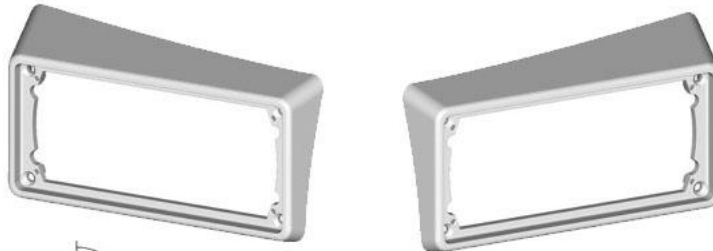
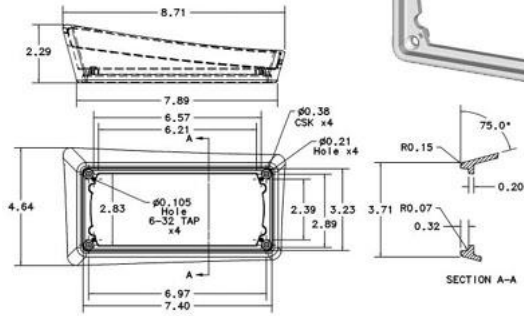
### 3" x 7" 2006-07 Chevy/GMC G3500 15d. Intersection Hsg

- 1) Finish: polished exterior.
- 2) LH37746 Driver Side.  
LH37747 Passenger Side
- 3) 15 degree, Fender mount,  
intersection housings for  
3" X 7" Lights.

**LH37748 LH37749**

**LH37748 and LH37749  
15d. Intersection  
Light Housings for  
2008 Ford F series  
SD**

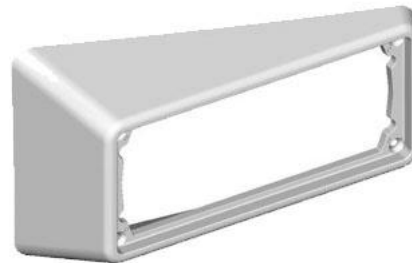
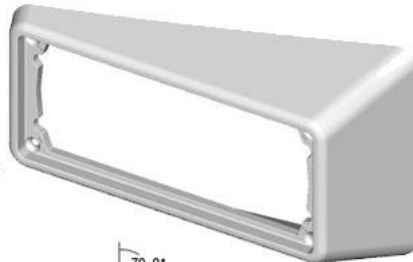
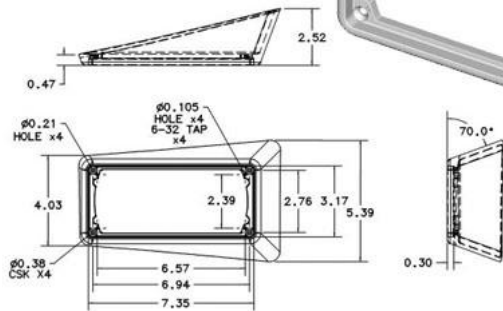
- 1) Finish: polished exterior.
- 2) LH37748 Driver Side.  
LH37749 Passenger Side.
- 3) 15 degree, Fender mount,  
intersection housings for  
3" X 7" Lights.



**LH37750 LH37751**

**LH37750 and LH37751  
15d. Intersection  
Light Housings for  
2008 Dodge  
Sprinter**

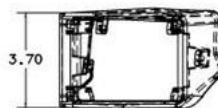
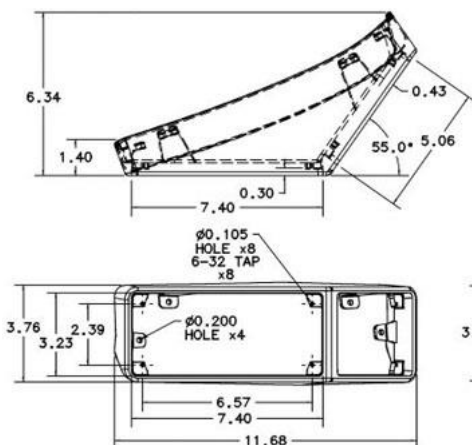
- 1) Finish: polished exterior.
- 2) LH37750 Driver Side.  
LH37751 Passenger Side.
- 3) 15 degree, Fender mount,  
intersection housings for  
3" X 7" Lights.



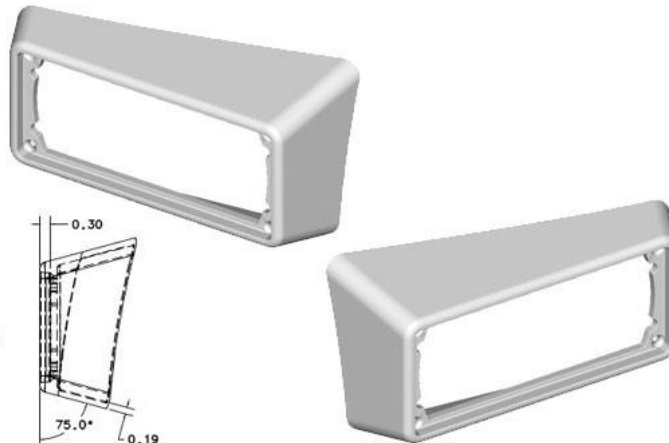
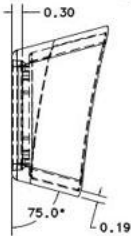
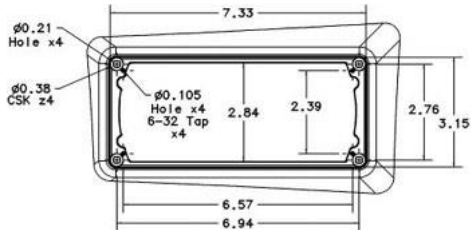
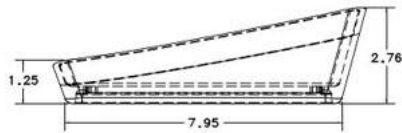
**LH37752 LH37753**

**LH37752 and LH37753  
Under-the-head-  
light Housings for  
2008 Dodge  
Sprinter**

- 1) Finish: polished exterior.
- 2) LH37752 Driver Side.  
LH37753 Passenger Side.
- 3) 55 degree 3" x 5" inter-  
section light and 3" X 7"  
forward Light.
- 4) Mounts underneath the  
headlight, on top of the  
bumper.



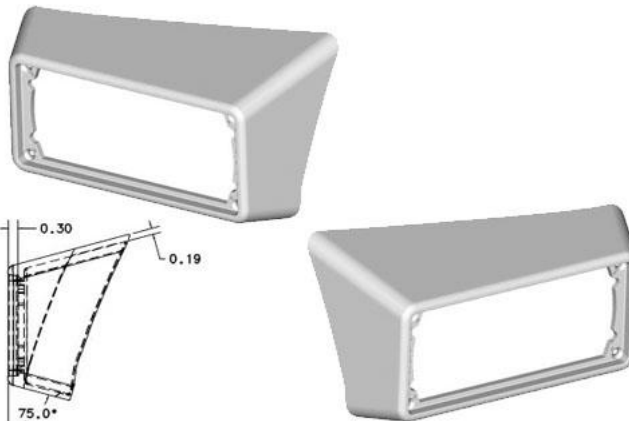
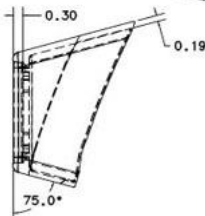
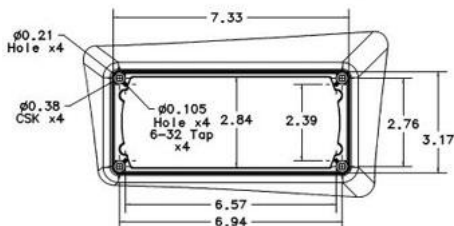
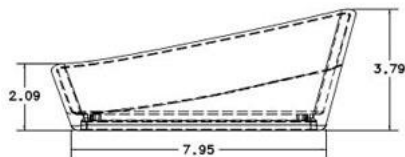
## LH37754 LH37755



### LH37754 and LH37755 15d. Intersection Light Housings for 2007-08 Chevy C,K3500 HD

- 1) Finish: polished exterior.
- 2) LH37754 Driver Side.  
LH37755 Passenger Side.
- 3) 15 degree, Fender mount,  
intersection housings for  
3" X 7" Lights.

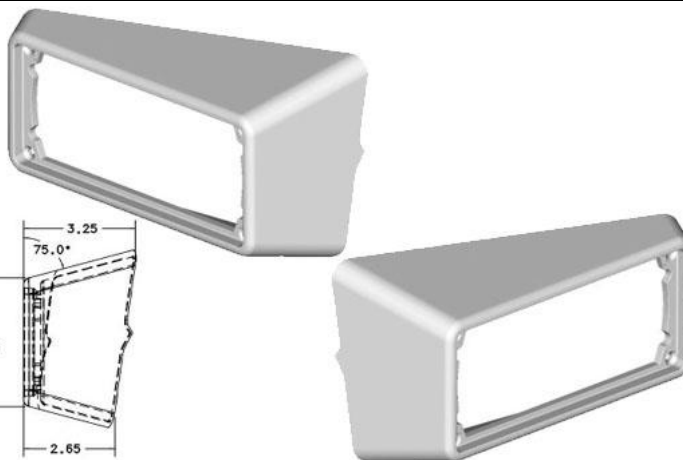
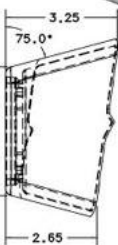
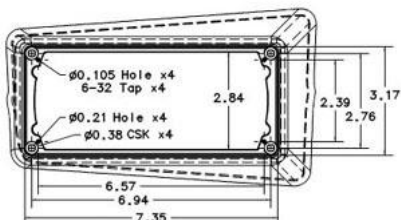
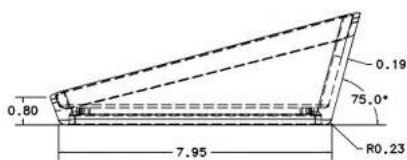
## LH37756 LH37757



### LH37756 and LH37757 15d. Intersection Light Housings for 2007-08 GMC C,K3500 HD

- 1) Finish: polished exterior.
- 2) LH37756 Driver Side.  
LH37757 Passenger Side.
- 3) 15 degree, Fender mount,  
intersection housings for  
3" X 7" Lights.

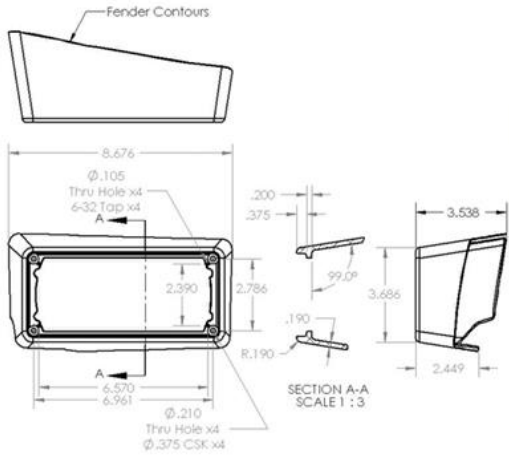
## LH37758 LH37759



### LH37758 and LH37759 15d. Intersection Light Housings for 2008 Ford E series SD Van

- 1) Finish: polished exterior.
- 2) LH37758 Driver Side.  
LH37759 Passenger Side.
- 3) 15 degree, Fender mount,  
intersection housings for  
3" X 7" Lights.

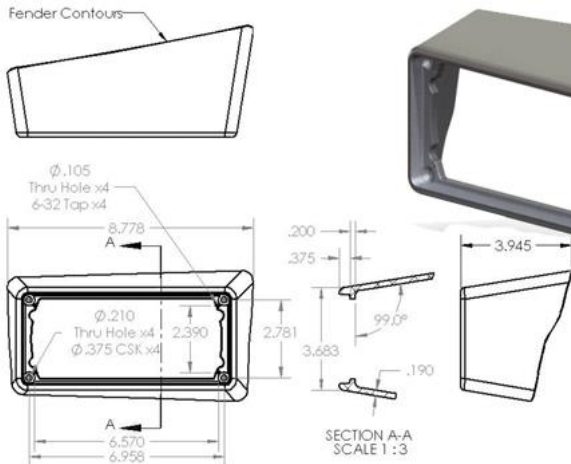
## LH37762 LH37763



### LH37762 and LH37763 15d. Intersection Light Housings for 2008 Ford F series SD (with large fender flare)

- 1) Finish: polished exterior.
- 2) LH37762 Driver Side.  
LH37763 Passenger Side.
- 3) 15 degree, Fender mount,  
intersection housings for  
3" X 7" Lights.

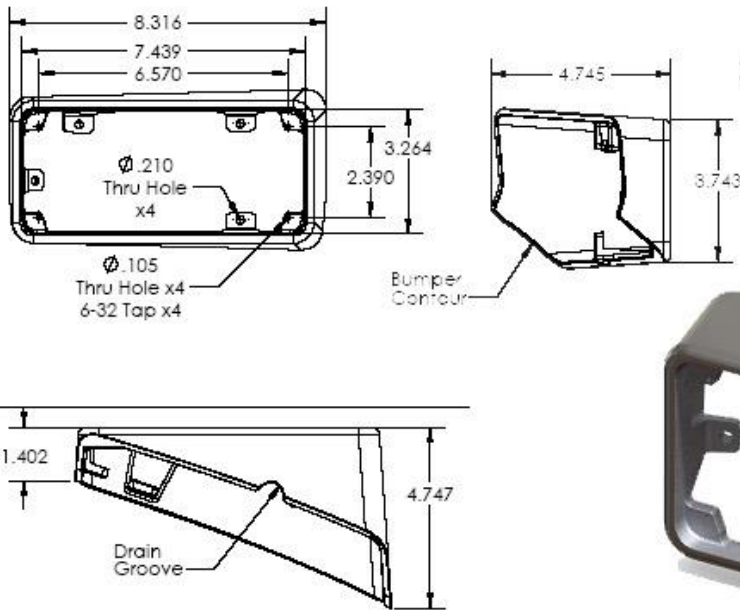
## LH37764 LH37765



### LH37764 and LH37765 15d. Intersection Light Housings for 2007-08 Chevy/GMC C4500/C5500/C650

- 1) Finish: polished exterior.
- 2) LH37764 Driver Side.  
LH37765 Passenger Side.
- 3) 15 degree, Fender mount,  
intersection housings for  
3" X 7" Lights.

**LH37766 LH37767**

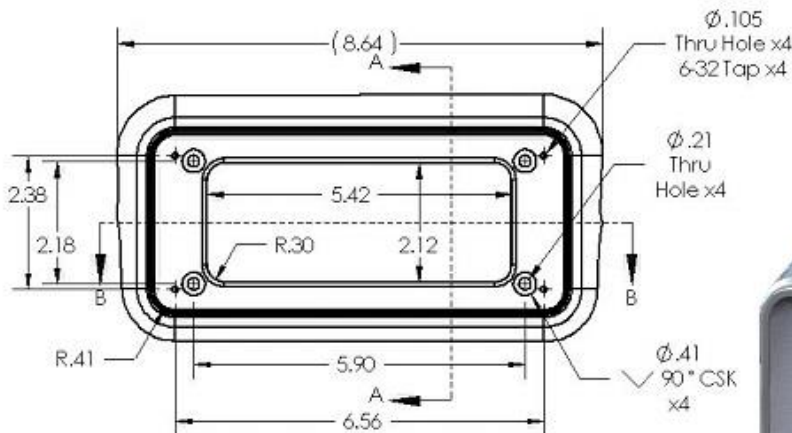


**LH37766 LH37767**  
**3x7 '08 -'09 Dodge Sprinter Under-the-Headlight Housings**

- 1)Finish: Exterior Surface Polished
- 2)LH37766 Driver Side Shown
- 3)LH37767 Passenger Side is opposite



**LH37768 LH37769**

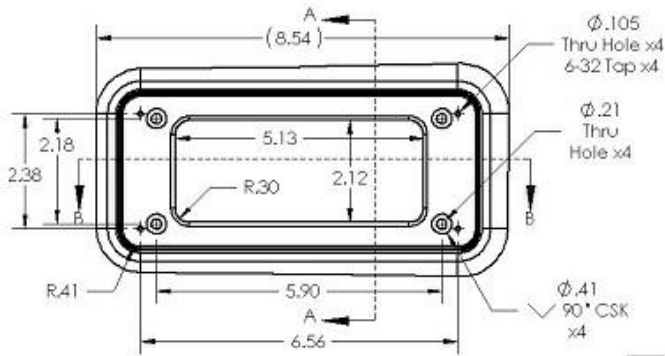


**LH37768 & LH37769**  
**Federal Signal 3x7 LED - '08-'09 Ford E350 SD Intersections.**  
**0 degree**

- 1)Finish: Exterior Surface Polished
- 2)LH37769 Passenger Side Shown
- 3)LH37768 Driver Side is opposite



LH37770 LH37771

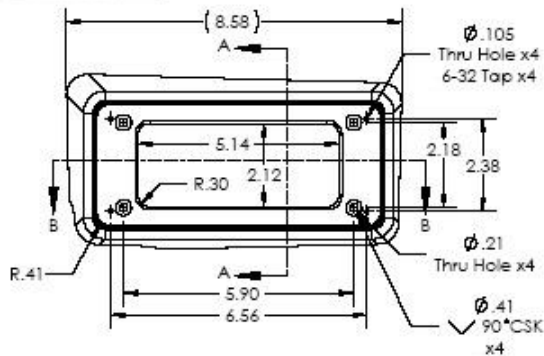
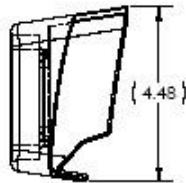


**LH37770 & LH37771**  
**Federal Signal 3x7 LED - '08-'**  
**09 Chevy G3500 Intersections.**  
**0 degree**

- 1) Finish: Exterior Surface Polished
- 2) LH37771 Passenger Side Shown
- 3) LH37770 Driver Side is opposite



LH37772 LH37773



**LH37772-1 & LH37773-1**  
**Federal Signal 3x7 LED '08-'09 Ford**  
**F series SD 15d. Intersection Hsg.**

- 1) Finish: Exterior surfaces are polished
- 2) LH37773-1 Passenger Side shown
- LH37772-1 Driver Side is opposite



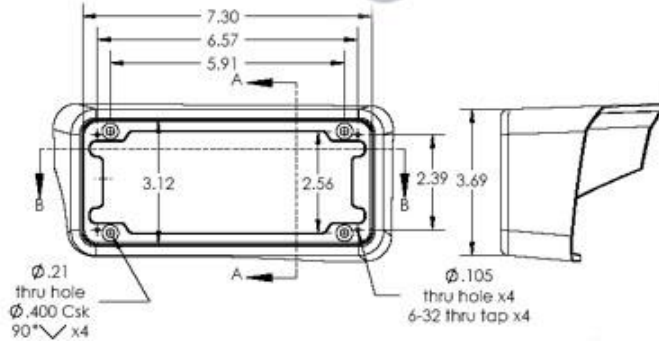


LH37774 LH37775



**LH37774-1 & LH37775-1**  
**3x7 LED only, 2011 Ford F series SD**  
**15d. Intersection Hsg (Large**  
**Fender Flare)**

- 1) Finish: Exterior surfaces are polished
- 2) LH37774-1 Passenger Side shown  
LH37775-1 Driver Side is opposite

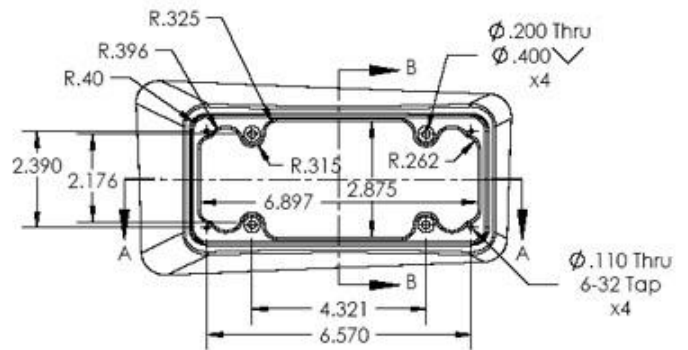


LH37776 LH37777



**LH37776-1 & LH37777-1**  
**3x7 LED only, 2010 Dodge 3500**  
**15d. Intersection Hsg**

- 1) Finish: Exterior surfaces are polished
- 2) LH37776-1 Passenger Side shown  
LH37777-1 Driver Side is opposite

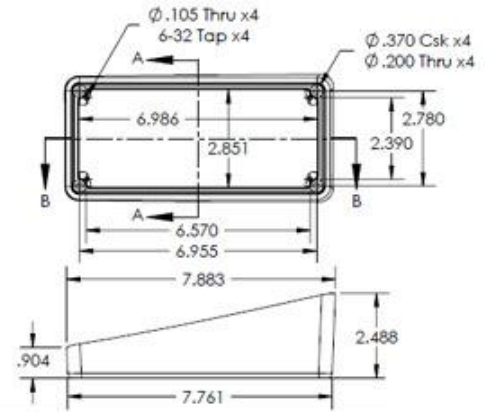


LH37778 LH37779

**LH37778-1 & LH37779-1**  
**3x7 LED, 2011 Ford F series SD 15d.**  
**Intersection Hsg (Large Radius**  
**Fender)**



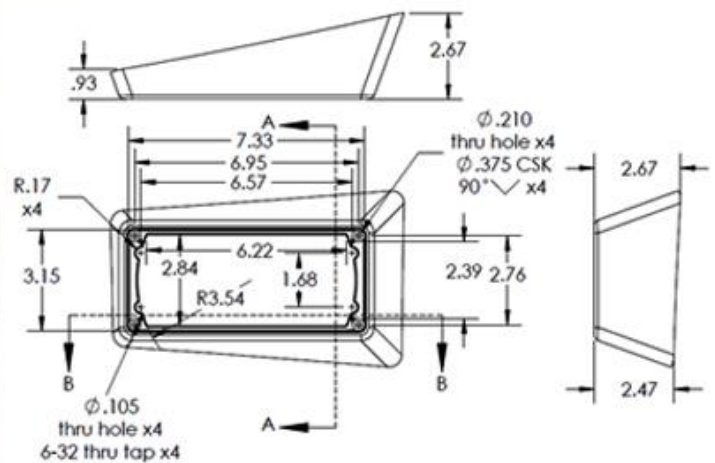
- 1) Finish: Exterior surfaces are polished
- 2) LH37778-1 Driver Side shown  
LH37779-1 Passenger Side is opposite



LH37780 LH37781

**LH37780-1 & LH37781-1**  
**3x7 LED, 2014 Sprinter 15d.**

- 1) Finish: Exterior surfaces are polished
- 2) LH37780-1 Driver Side shown  
LH37781-1 Passenger Side is opposite



LH37782 LH37783

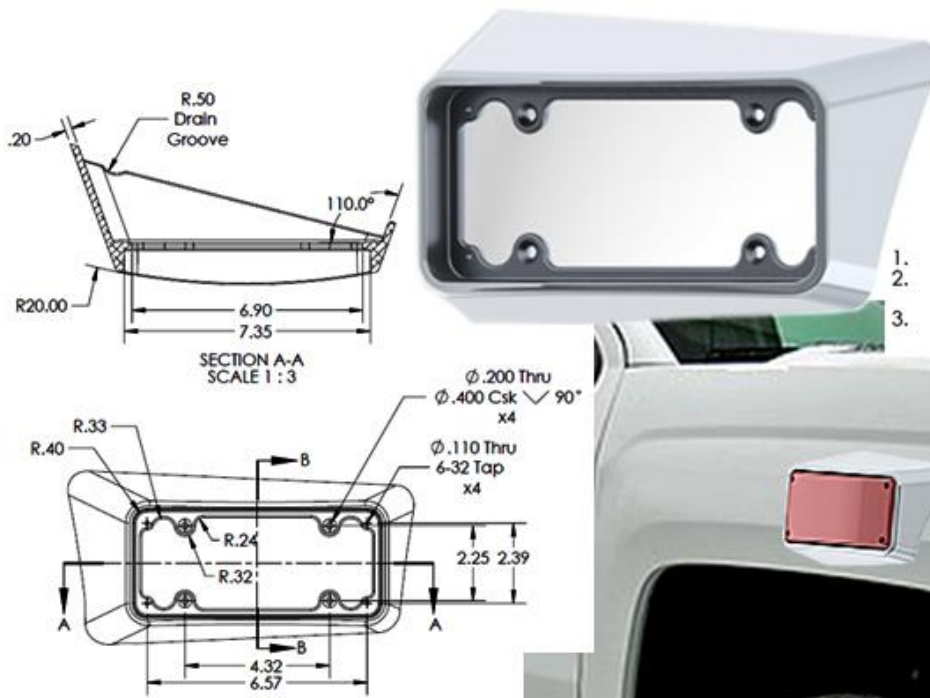


**LH37782-1 & LH37783-1**  
**3x7 and 3x5 Light, 2014 Sprinter**  
**Under-the-Headlight Housing.**

- 1) Finish: Exterior surfaces are polished
- 2) LH37782-1 Driver Side shown  
 LH37783-1 Passenger Side is opposite



LH37784 LH37785

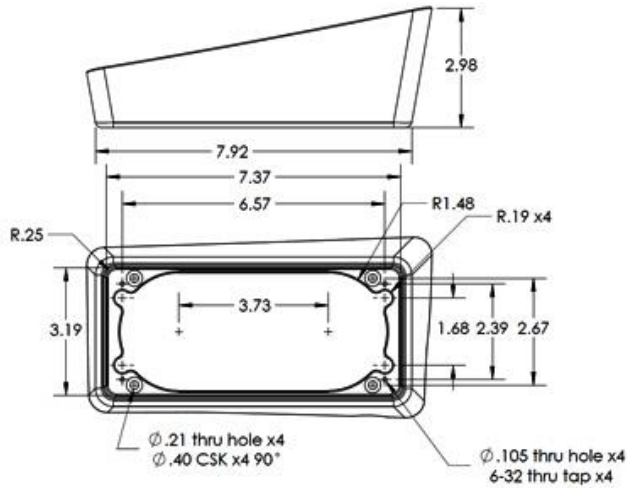


**LH37784-1 & LH37785-1**  
**3x7 LED only, 2015 Chevy**  
**C3500, 15d. Intersection**  
**Hsg.**

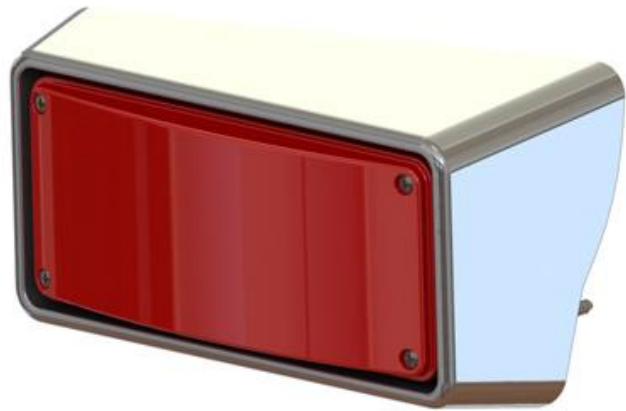
1. Finish: (-1) Polished Exterior
2. LH37785-1 Passenger side shown,  
 LH37784-1 Driver Side is opposite.
3. 15d. Intersection Lt. Hsg. for 2015 Chevy C3500  
 (Whelen 3x7 LED).



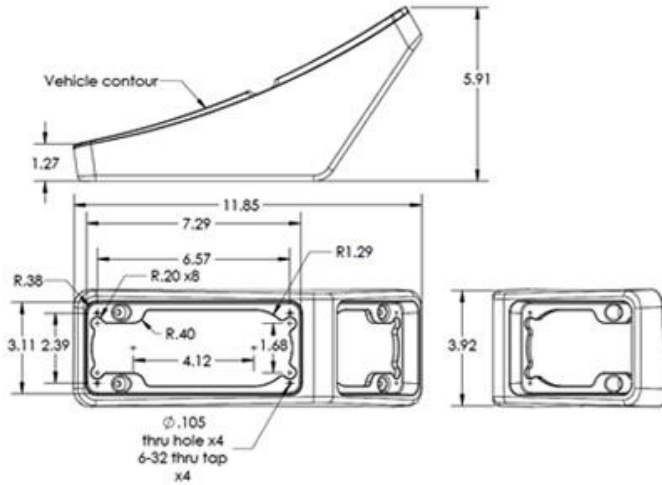
LH37786 LH37787



**LH37786-1 & LH37787-1**  
Driver/Passenger - 3x7 LED only, 2015  
Ford Transit Cargo, 15d. Intersection Hsg



**LH37788 LH37789**

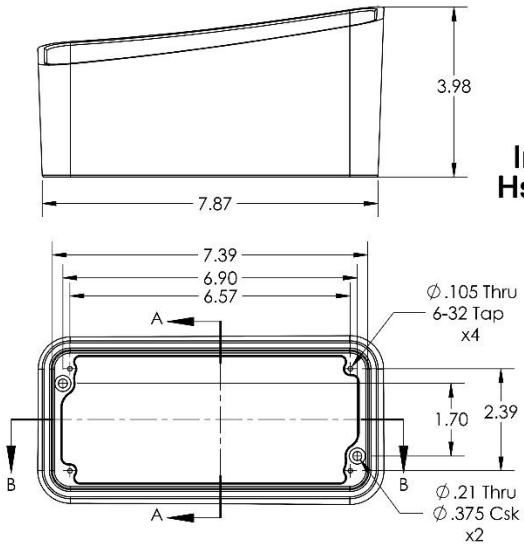


**LH37788-1 & LH37789-1  
Driver/Passenger - 3x7 3x5 LED only,  
2015 Ford Transit Cargo,  
Under-the-Headlight Housing**

1. Finish: polished exterior (1).
  2. **LC37788-1 Driver** side shown.
  3. **LC37789-1 Passenger** side is opposite.
- Under-the-Headlight combination 3x7 and 3x5 Light Housing (LED only) for 2015 Ford Transit Cargo Van.



**LH37790 LH37791**

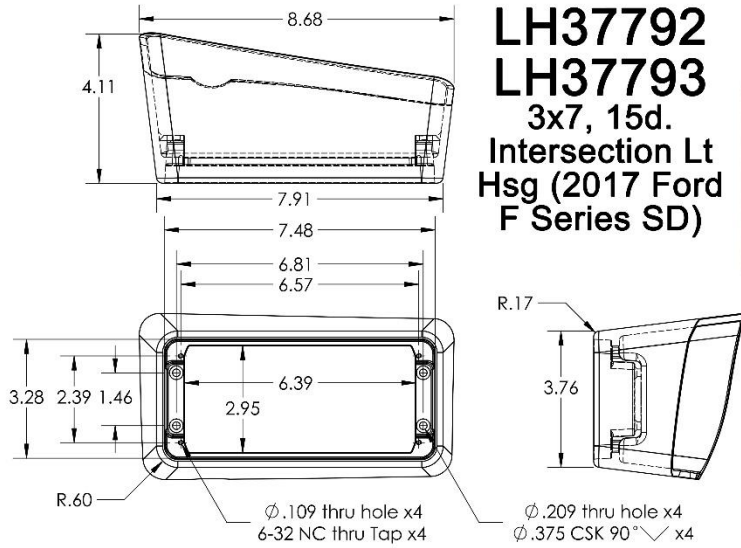


**LH37790  
LH37791  
3x7, 15d.  
Intersection Lt  
Hsg (2015 Dodge  
Promaster)**



1. Finish: (-1) Polished exterior.
2. 15 tilt out Intersection Hsg for 2015 Dodge Promaster.

**LH37792 LH37793**

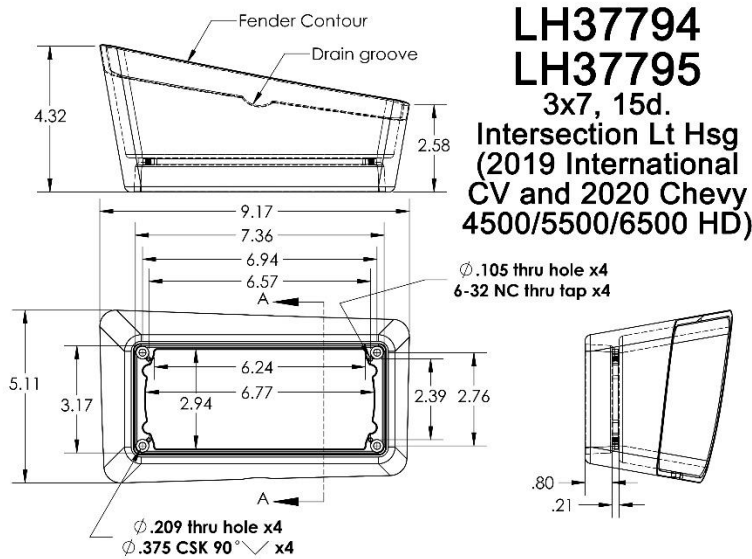


**LH37792  
LH37793**  
3x7, 15d.  
Intersection Lt  
Hsg (2017 Ford  
F Series SD)

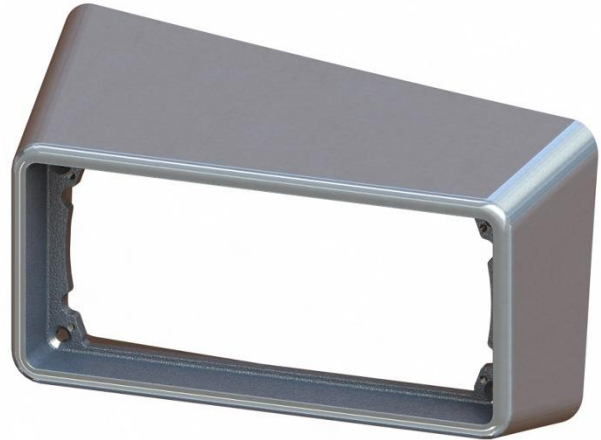


- 1) Finish: exterior surfaces are polished.
- 2) For 3x7, 15d. Intersection Lt Hsg (2017 Ford F Series SD) (for Whelen 700 series, LED, Linear Strobe, Halogen, Scene and Weldon 3700 series Light)
- 3) 3x7 Intersection Housing: works with Plain Fender and Fender with Large Fender Flare

**LH37794 LH37795**

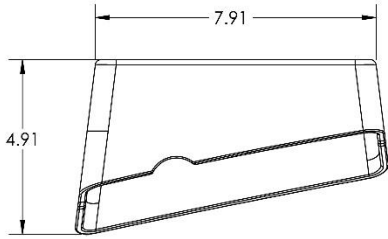


**LH37794  
LH37795**  
3x7, 15d.  
Intersection Lt Hsg  
(2019 International  
CV and 2020 Chevy  
4500/5500/6500 HD)

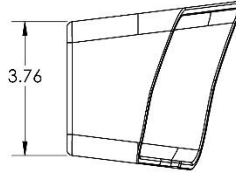
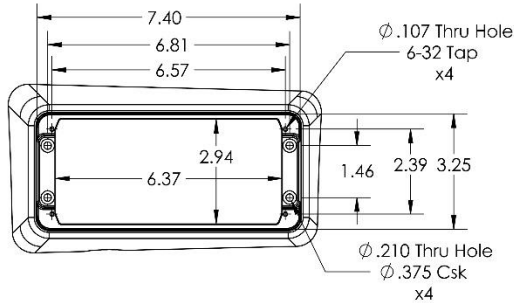


1. Finish: polished exterior surfaces,

**LH37796 LH37797**

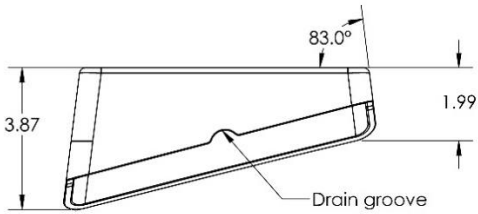


**LH37796  
LH37797**  
3x7, 15d. Intersection Lt  
Hsg (2020 Ford F Series  
SD) (for Whelen 700 series,  
LED, Linear Strobe,  
Halogen, Scene and  
Weldon 3700 series Light)

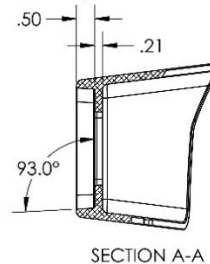
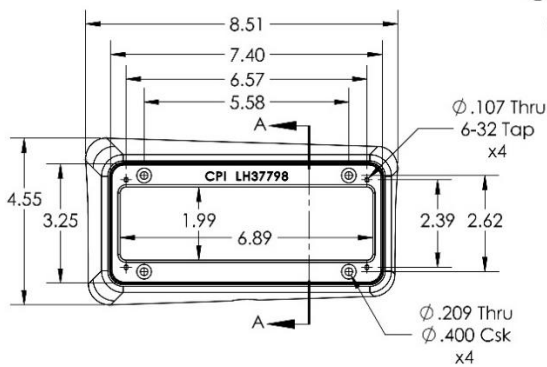


1) Finish: (-1) Polished.

**LH37798 LH37799**

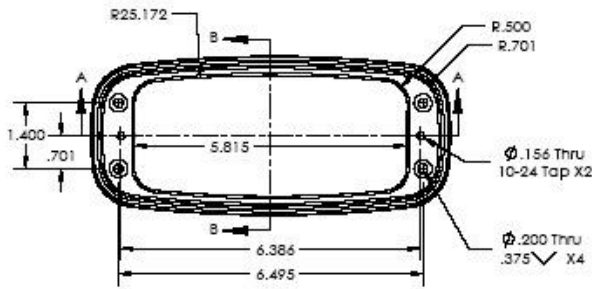


**LH37798  
LH37799**  
3x7, 15d.  
Intersection Lt  
Hsg (2020  
Chevy C3500)  
(for Whelen  
LED)



1. Finish:(-1) Polished exterior.

## LH37M101



## LH37M101 Light Housing 0d. (Whelen M Series) 1/2" Thick - Total Surface Mount

- 1) Finish: Ball-Burnished w/ Exterior Surface Polished
- 2) 1/2" Thick Total Surface Mounting
- 3) Housing for Whelen M7 Series Light

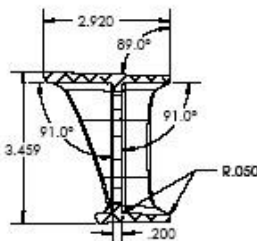
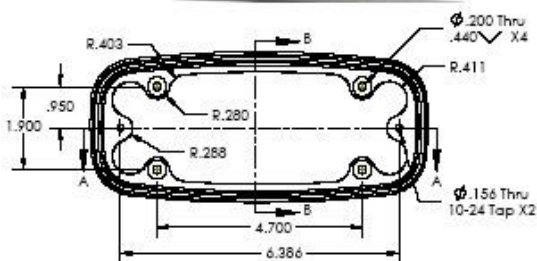


## LH37M601 LH37M602



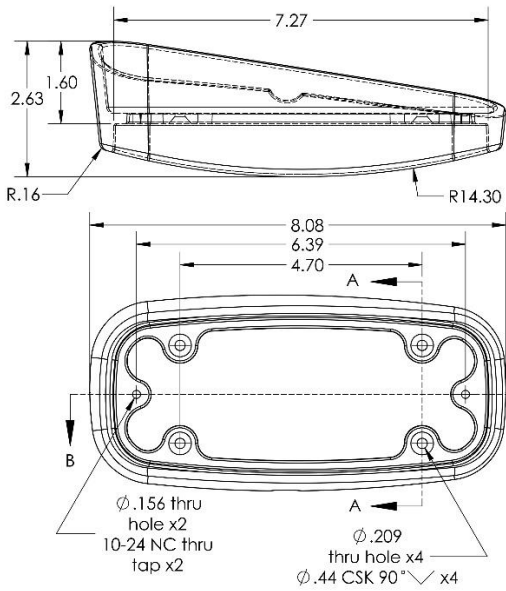
## LH37M601 & LH37M602 Grille Light Housings '04-'09 Chevy / GMC G3500 (Whelen M Series Lt)

- 1) Finish: Ball-Burnished w/ Exterior Surface Polished
- 2) LH37M602 Passenger Side Shown
- 3) LH37M601 Driver Side Opposite



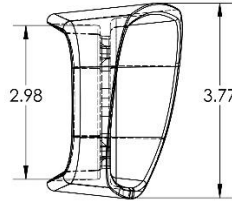


## LH37M705 LH37M706



## LH37M705 LH37M706

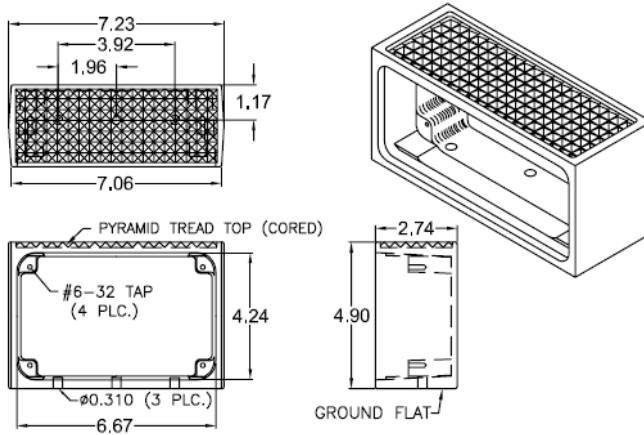
15d Tilt-Out  
Intersection Light  
Housing - 2017 Ford  
F Series SD (Whelen  
M7 Series Lt w/o  
Chrome Trim)



- 1) Finish: exterior surfaces are polished.
- 2) For Whelen M7 Series Lt w/o Chrome Trim, 15d. Intersection Lt Hsg (2017 Ford F Series SD)
- 3) M7 Intersection Housing: works with Plain Fender and Fender with Large Fender Flare

## 4" x 6" Light Housings

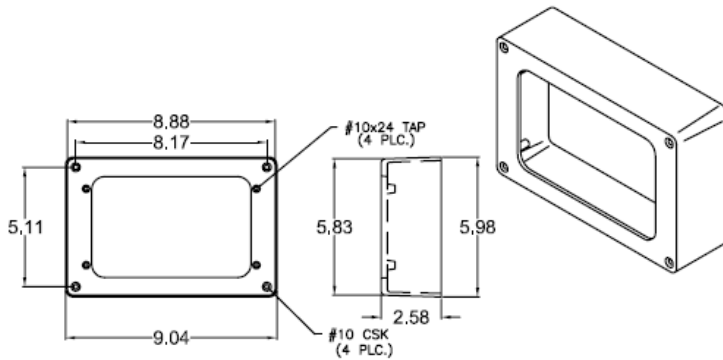
### LH46001



## LH46001 Light Housing / Step (6" x 4" Light)

- 1) Finish: All exterior surfaces are bright polished.
- 2) Angle: 0°
- 3) Total surface mount. No clearance hole in the body required.
- 4) Fits halogen or linear strobe.
- 5) Pyramid tread on top.

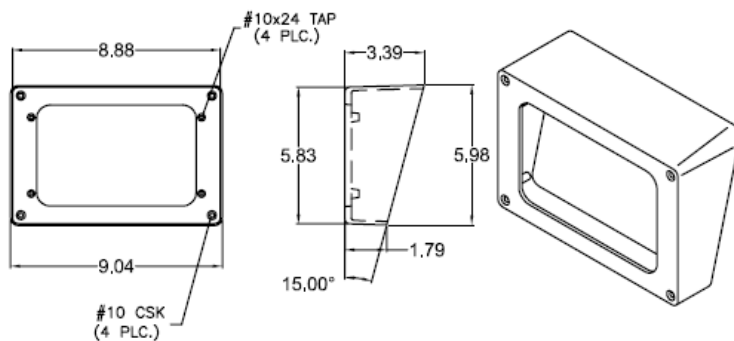
## LH46103



## LH46103 Light Trim (6" x 4" Light)

- 1) Finish: All exterior surfaces are bright polished.
- 2) angle: 0°
- 3) Lights mount to the back side of trim using the existing holes in the chrome-plated flange of the light.
- 4) Total surface mount. No clearance hole in the body required.

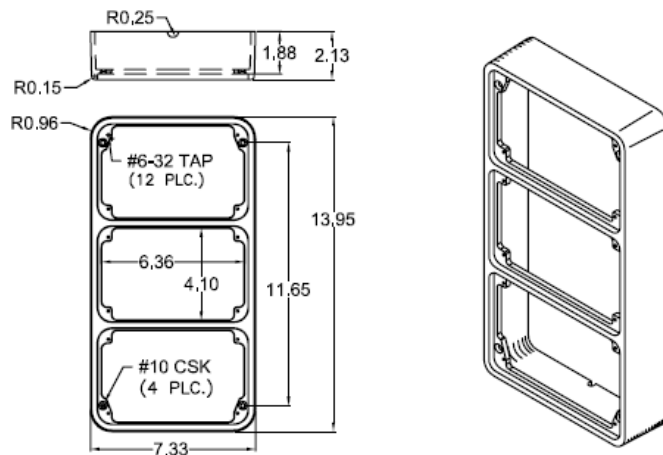
## LH46104



## LH46104 Light Trim (6" x 4" Light)

- 1) Finish: All exterior surfaces are bright polished.
- 2) angle: 0°
- 3) Lights mount to the back side of trim using the existing holes in the chrome-plated flange of the light.
- 4) Total surface mount. No clearance hole in the body required.

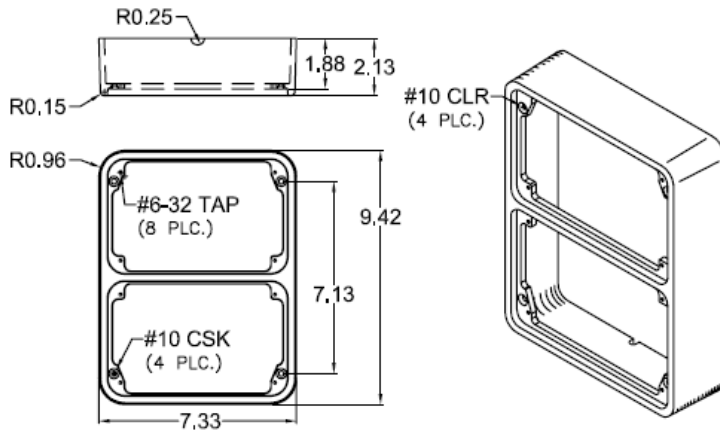
## LH46105



## LH46105 Triple Light Trim (6" x 4" Light)

- 1) Finish: All exterior surfaces are bright polished.
- 2) 0°
- 3) Concealed mounting hardware.
- 4) Total surface mount. No clearance hole in the body required.

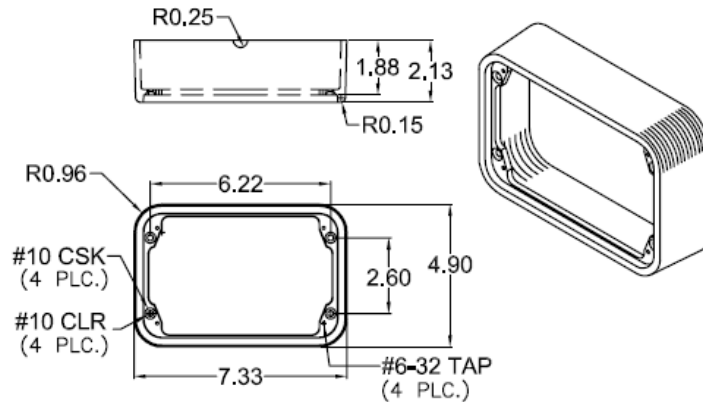
## LH46106



## LH46106 Double Light Trim (6" x 4" Light)

- 1) Finish: All exterior surfaces are bright polished.
- 2) 0°
- 3) Concealed mounting hardware.
- 4) Total surface mount. No clearance hole in the body required.

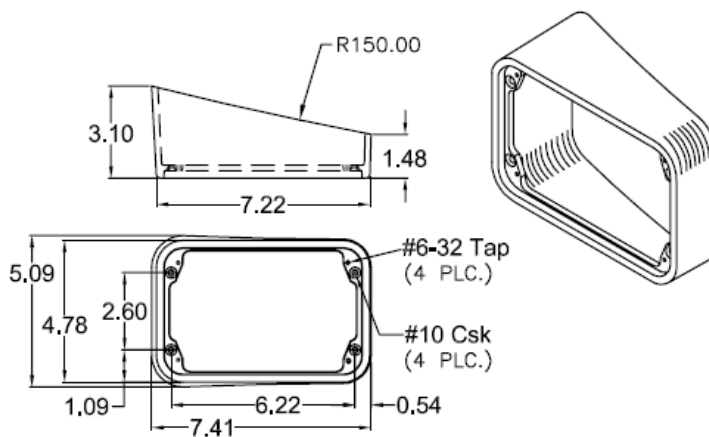
## LH46107



## LH46107 Light Trim (6" x 4" Light)

- 1) Finish: All exterior surfaces are bright polished.
- 2) 0°
- 3) Concealed mounting hardware.
- 4) Total surface mount. No clearance hole in the body required.

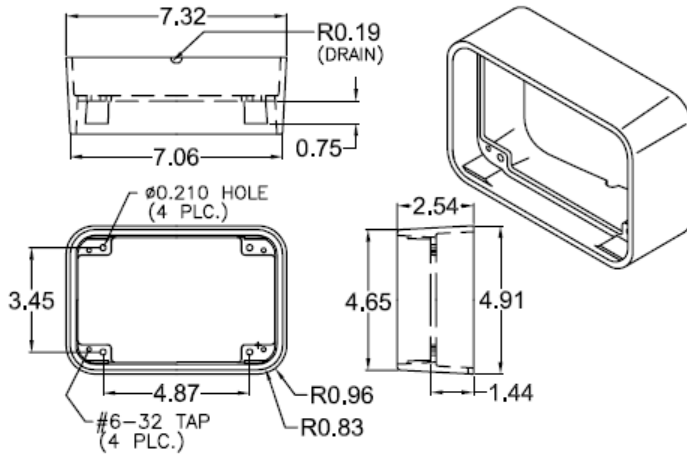
## LH46109



## LH46109 Light Housing (6" x 4" Light)

- 1) Finish: All exterior surfaces are bright polished.
- 2) Angle: 0°
- 3) Function: Mounts the light to a 150" radius Cab surface.
- 4) Total surface mount. No clearance hole in the body required.

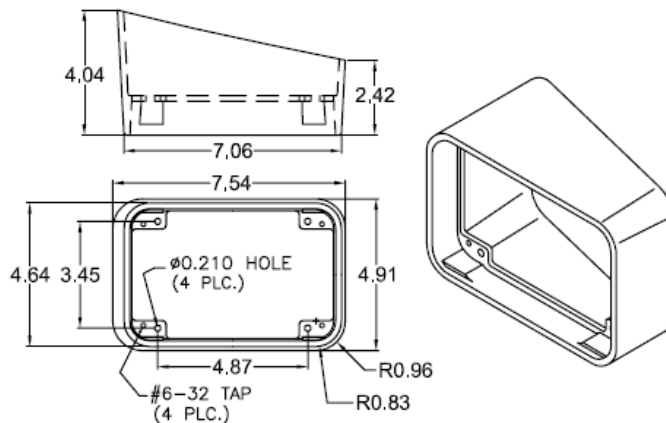
## LH46110



## LH46110 Light Housing (6" x 4" Light)

- 1) Finish: All exterior surfaces are bright polished.
- 2) 0°
- 3) Total surface mount. No clearance hole in the body required.
- 4) Fits halogen or linear strobe.

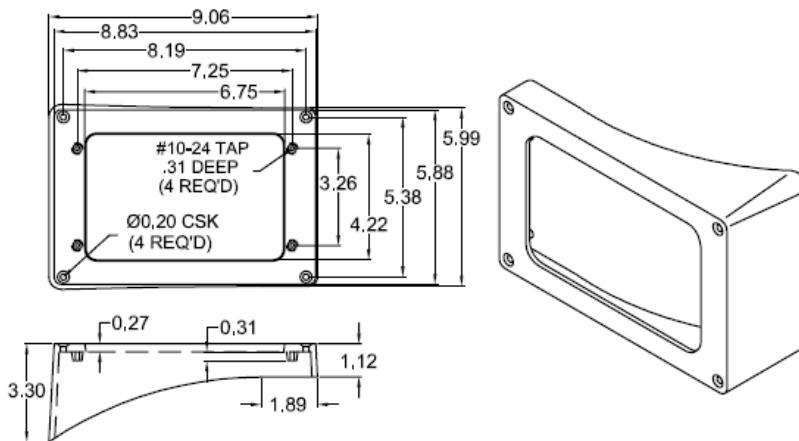
## LH46111



## LH46111 Light Housing (6" x 4" Light)

- 1) Finish: All exterior surfaces are bright polished.
- 2) Angle: 0°
- 3) Total surface mount. No clearance hole in the body required.
- 4) Fits cab curvature of 150" radius.
- 5) Fits halogen or linear strobe.

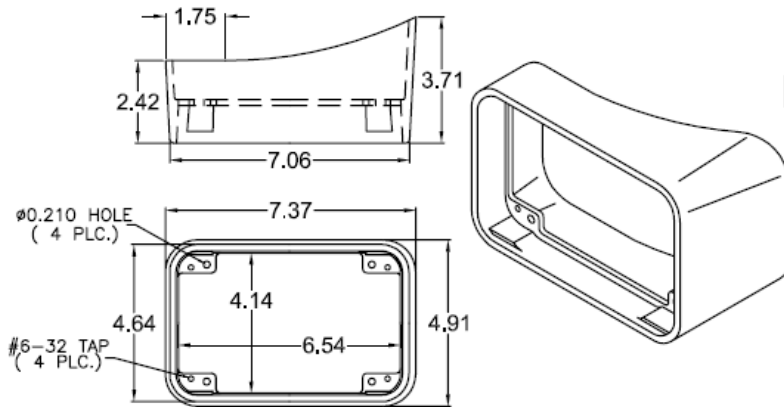
## LH46112



## LH46112 Light Housing (6" x 4" Light w/ ChromeFlange)

- 1) Finish: All exterior surfaces are bright polished.
- 2) Angle: 0°
- 3) Total surface mount. No clearance hole in the body required.
- 4) Fits cab curvature of 12 7/8" radius.

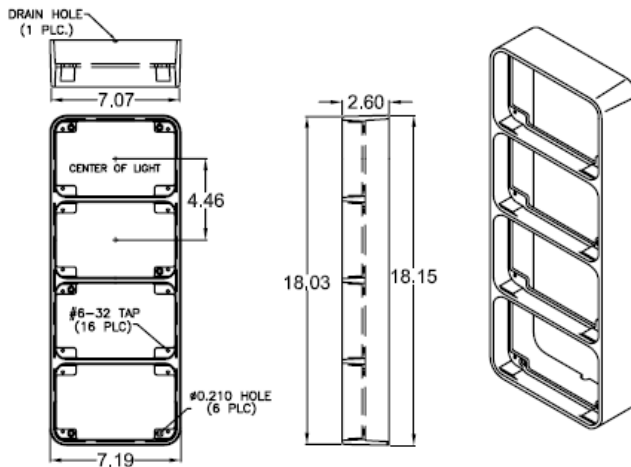
## LH46113



## LH46113 Intersection Light Housing (6" x 4" Light)

- 1) Finish: All exterior surfaces are bright polished.
- 2) Angle: 0°
- 3) Total surface mount. No clearance hole in the body required.
- 4) Fits cab curvature of 12 7/8" radius.

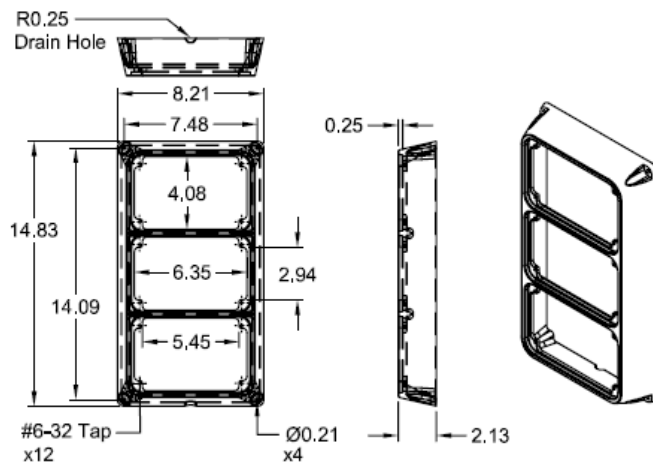
## LH46114



## LH46114 Quad Light Housing (6" x 4" Light)

- 1) Finish: All exterior surfaces are bright polished.
- 2) Angle: 0°
- 3) Total surface mount. No clearance hole in the body required.

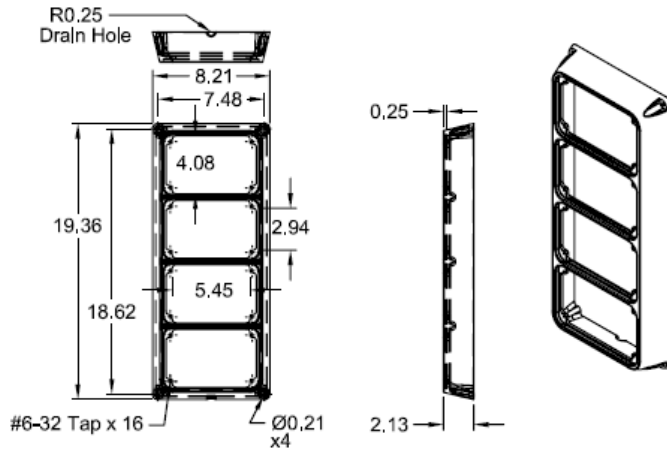
## LH46115



## LH46115 Triple Light Housing (6" x 4" Light)

- 1) Finish: All exterior surfaces are bright polished.
- 2) Angle: 0°
- 3) Total surface mount. No clearance hole in the body required.
- 4) Only for use with a Weldon 4" x 6" light.

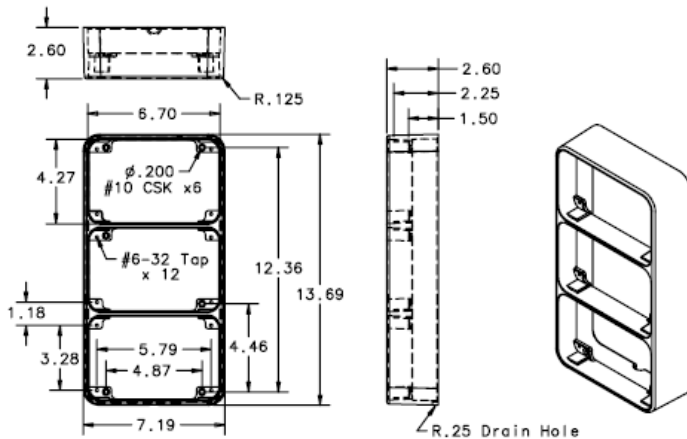
## LH46116



## LH46116 Quad Light Housing (6" x 4" Light)

- 1) Finish: All exterior surfaces are bright polished.
- 2) Angle: 0°
- 3) Total surface mount. No clearance hole in the body required.
- 4) Only for use with a Weldon 4" x 6" light.

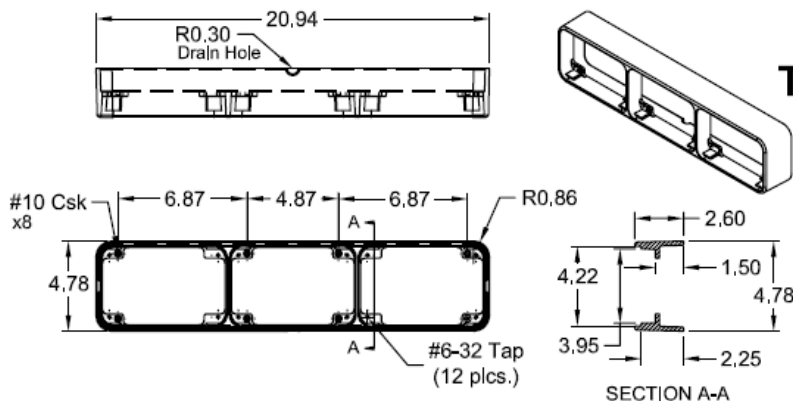
## LH46117



## LH46117 Triple Vertical Light Housing (6" x 4" Light)

- 1) Finish: All exterior surfaces are bright polished.
- 2) Angle: 0°
- 3) Total surface mount. No clearance hole in the body required.
- 4) Fits halogen or linear strobe.

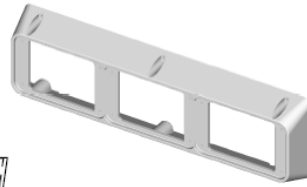
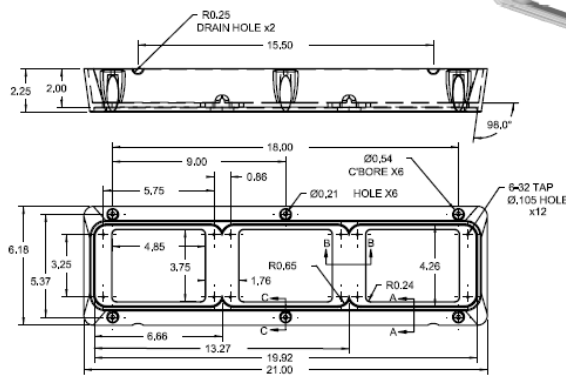
## LH46118



## LH46118 Triple Vertical Light Housing (6" x 4" Light)

- 1) Finish: All exterior surfaces are bright polished.
- 2) Angle: 0°
- 3) Total surface mount. No clearance hole in the body required.
- 4) Fits halogen or linear strobe.

## LH46119

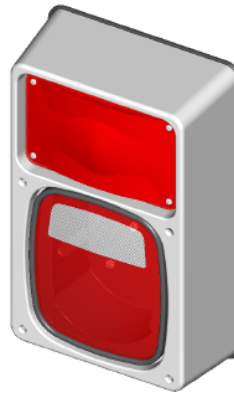
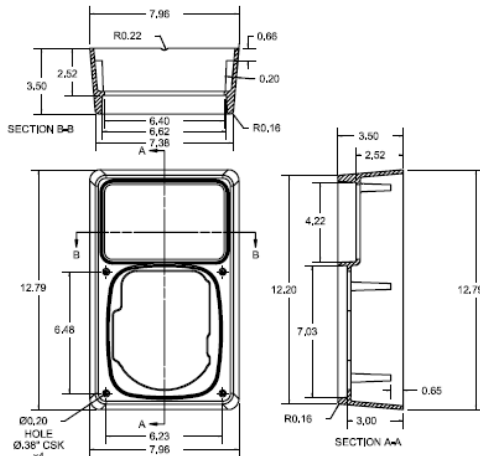


## LH46119

**Triple Horizontal  
Light Housing -  
0d. - Weldon 4" x  
6" Light - 2 1/4"  
thick**

- 1) Finish: polished exterior.
- 2) Triple Horizontal Light Housing - 0d. - Weldon 4" x 6" Light - 2 1/4" thick
- 3) Optional mounting gasket RG0038.

## LH46120

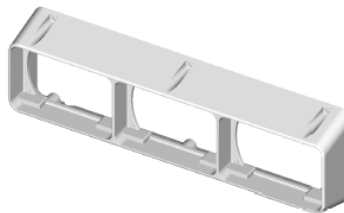
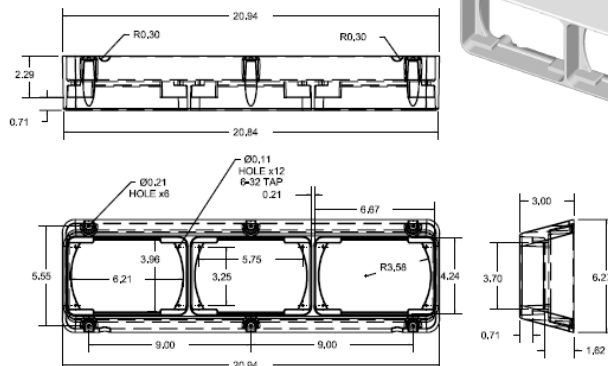


## LH46120

**Rear Light Housing,  
Signal-Stat / Whelen  
6E LED, Halogen or  
Strobe**

- 1) Finish: polished exterior.
- 2) Rear Light Housing, for Signal-Stat / Whelen 6E LED, Halogen or Strobe.
- 3) Optional mounting gasket RG0042.

## LH46121

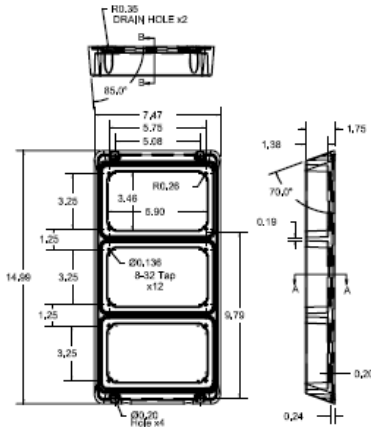


## LH46121

**Triple Horizontal  
Light Housing -  
0d. - Whelen 6E  
Led or Halogen**

- 1) Finish: polished exterior.
- 2) Triple Horizontal Light Housing - 0d. - for Whelen 6E Led or Halogen
- 3) Optional mounting gasket RG0043.

## LH46122

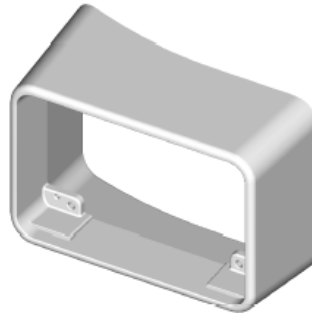
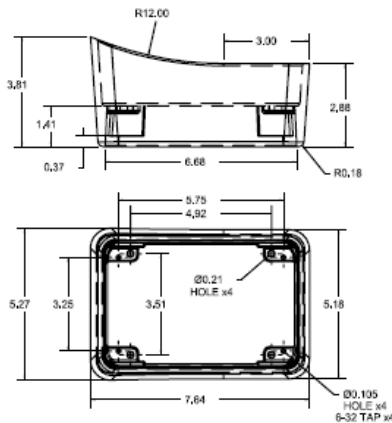


## LH46122

### Triple Vertical Light Housing - 0d. - Code-3 4" x 6" LED

- 1) Finish: all exterior surfaces are polished.
- 2) Angle: 0°
- 3) Triple Vertical Light Housing - 0d. - for Code-3 4" x 6" LED

## LH46123

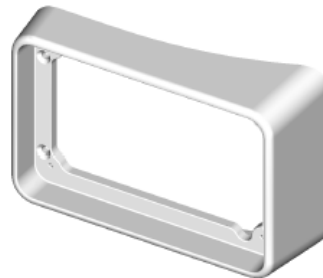
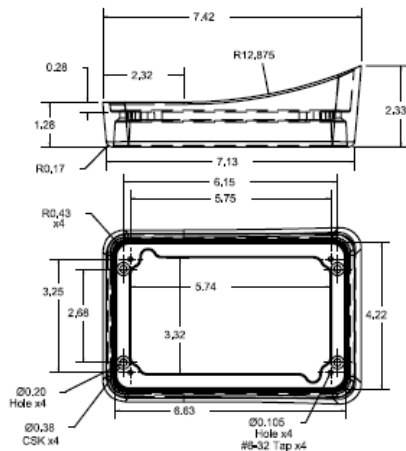


## LH46123

### Intersection Light Housing - Whelen 64 Linear Strobe - 12" Rad.

- 1) Finish: all exterior surfaces are polished.
- 2) Angle: 0°
- 3) Intersection Light Housing - for Whelen 64 Linear Strobe - 12" Rad.

## LH46124



## LH46124

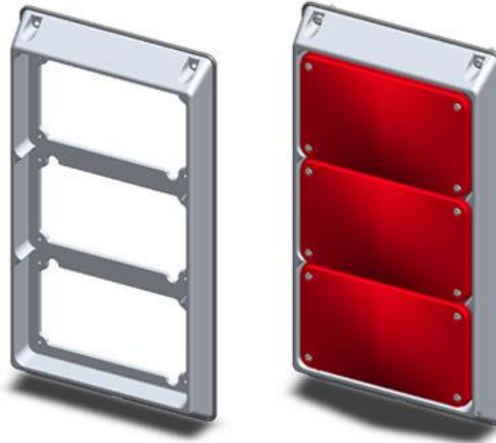
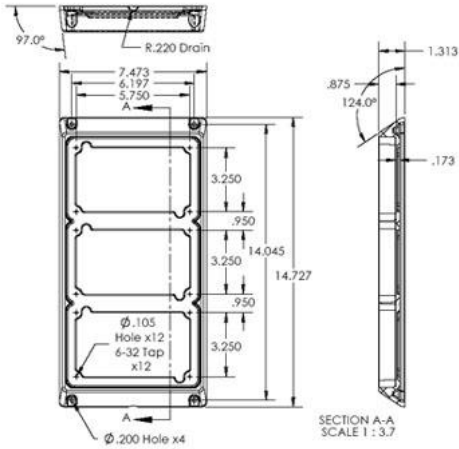
### Intersection Light Housing - Whelen 64 LED - 12 7/8" Rad.

- 1) Finish: all exterior surfaces are polished.
- 2) Angle: 0°
- 3) Intersection Light Housing - for Whelen 64 LED - 12 7/8" Rad.





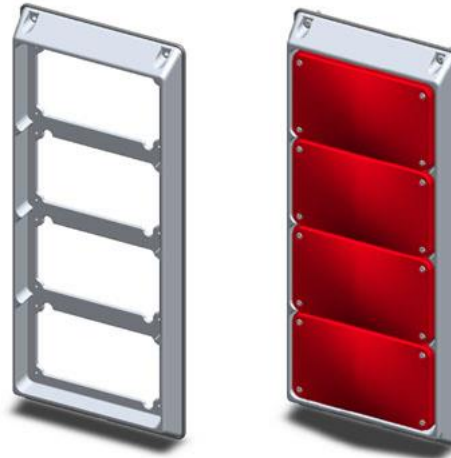
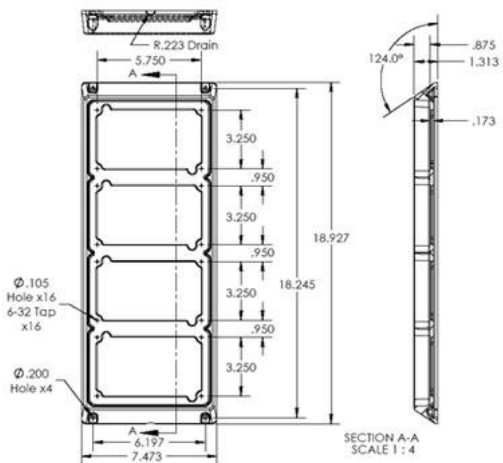
## LH46128



### LH46128 Triple Light Hsg - Od. -Whelen 4" x 6" LED Light

- 1) Finish: Polished exterior..
- 2) For 4x6 LED light only.
- 3) Uses RG0063 Gasket.

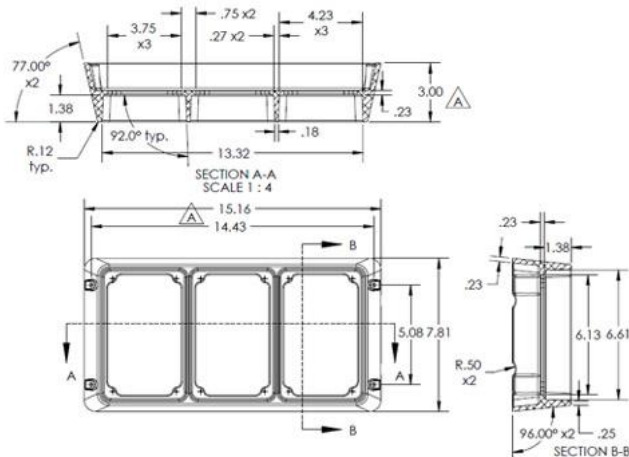
## LH46129



### LH46129 Quad Light Hsg - Od. - Whelen 4" x 6" LED Light

- 1) Finish: Polished exterior..
- 2) For 4x6 LED light only.
- 3) Uses RG0064 Gasket.

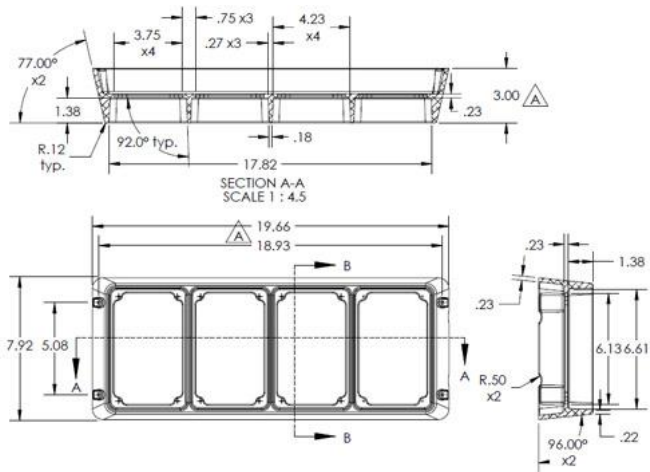
## LH46130



### LH46130 Triple Light Hsg - Od. 3.50" deep - Code 3 4" x 6" Perimeter Light

- 1) Finish: Polished exterior..
- 2) For Code 3 4x6 LED light only.

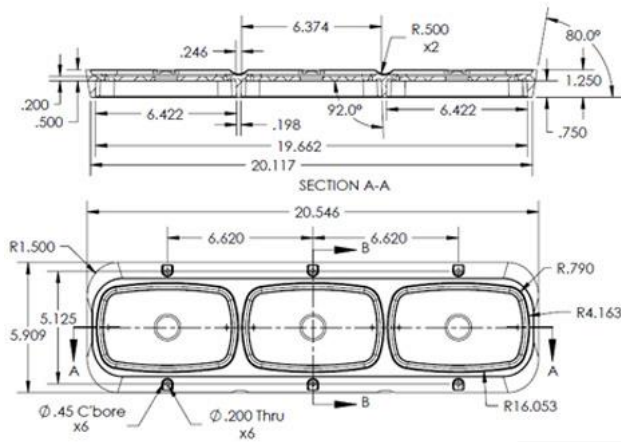
## LH46131



## LH46131 Quad Light Hsg - Od. 3.50" deep - Code 3 4" x 6" Perimeter Light

- 1) Finish: Polished exterior.
- 2) For Code 3 4x6 LED light only.

## LH46132

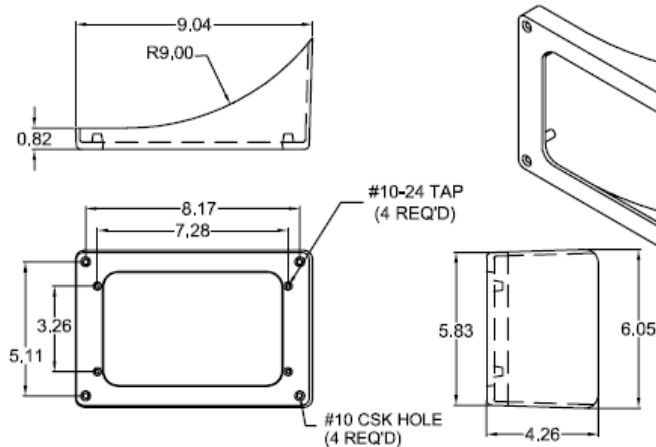


- 1) Finish: Polished exterior.
- 2) Od. For Whelen M6 4x6 series Lights

## LH46132 Triple Horizontal Light Housing - Od. - Whelen M6 4x6 series Lights



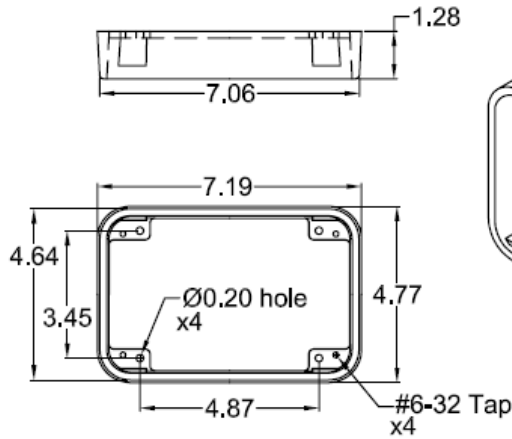
## LH46201



## LH46201 Light Trim (6" x 4" Light)

- 1) Finish: All exterior surfaces are bright polished.
- 2) Lights mount to the back side of trim using the existing holes in the chrome-plated flange of the light.
- 3) Total surface mount. No clearance hole in the body required.

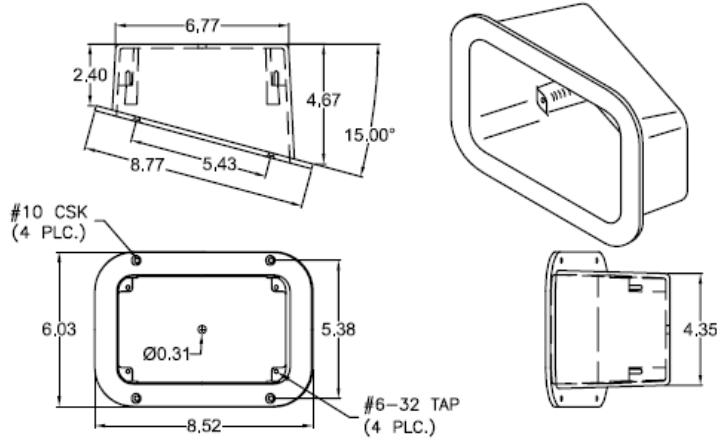
## LH46202



## LH46202 Light Housing (6" x 4" Light)

- 1) Finish: All exterior surfaces are bright polished.
- 2) Angle: 0°
- 3) Clearance hole in the body required.
- 4) Fits halogen or linear strobe.

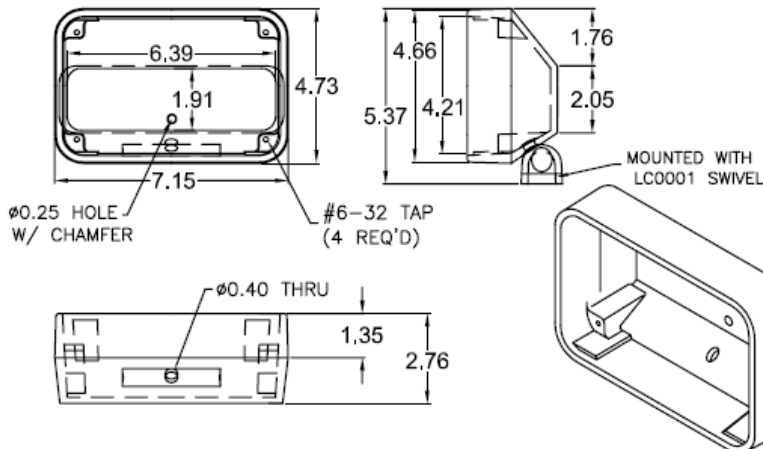
## LH46301



## LH46301 Recessed Light Housing (6" x 4" Light)

- 1) Finish: Exterior flange is bright polished.
- 2) Angle: 15°
- 3) Clearance hole in the body required.
- 4) Fits halogen or linear strobe.

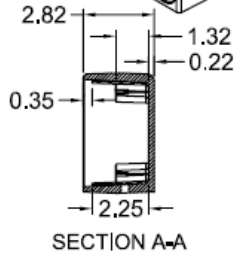
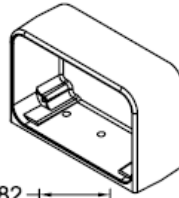
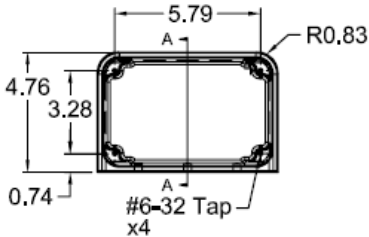
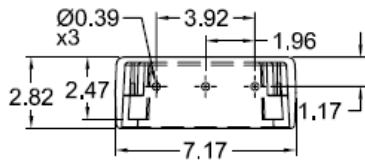
## LH46501



## LH46501 Bumper Mount Light Housing (6" x 4" Light)

- 1) Finish: Bright Polished.
- 2) Fits halogen or linear strobe.

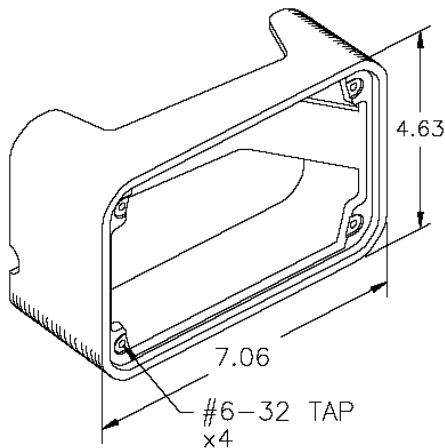
## LH46502



## LH46502 Flat Bumper Mount Light Housing (6" x 4" Light)

- 1) Finish: Exterior flange is bright polished.
- 2) Fits halogen or linear strobe.

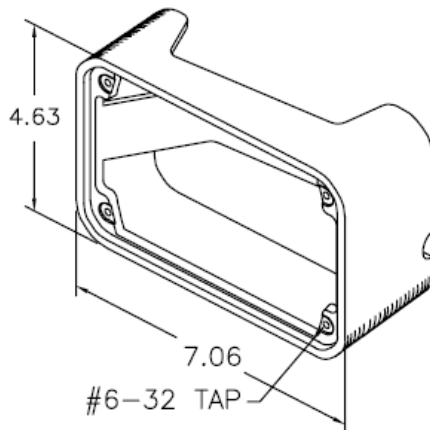
## LH46601



## LH46601 Grille Mount Light Housing (6" x 4" Light)

- 1) Finish: All exterior surfaces are bright polished.
- 2) Parts mount to the face of the grille without cutting, drilling or damaging the grille.
- 3) Mounts with an included backplate, from the backside of the grille (grille must remain on the vehicle) of the 1992 - 1996 Ford E350 van.

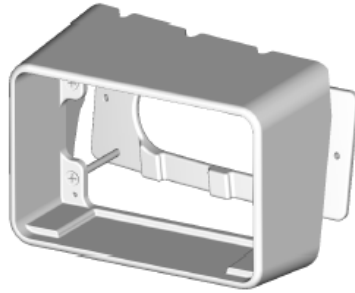
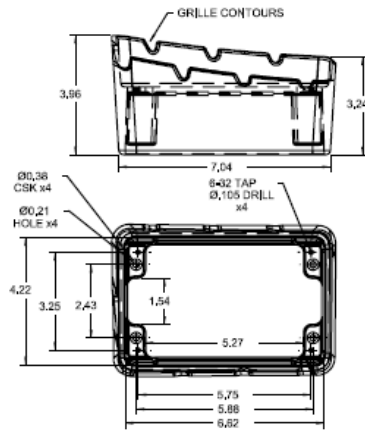
## LH46602



## LH46602 Grille Mount Light Housing (6" x 4" Light)

- 1) Finish: All exterior surfaces are bright polished.
- 2) Parts mount to the face of the grille without cutting, drilling or damaging the grille.
- 3) Mounts with an included backplate, from the backside of the grille (grille must remain on the vehicle) of the 1992-1996 Ford E350 van (Driv. Side).

## LH46603

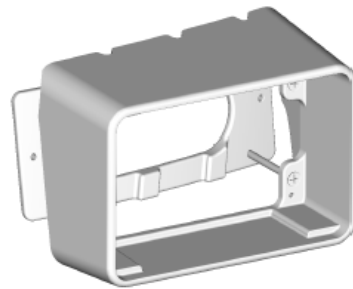
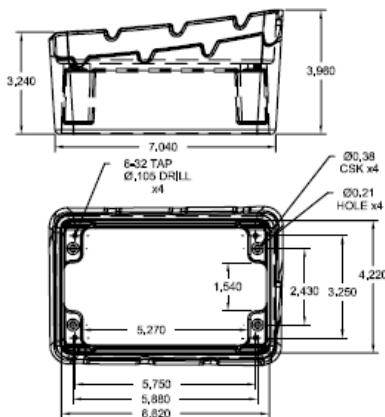


## LH46603

### Passenger - Whelen 4" x 6" - Grille Mnt Lt Housing (2002-05 International 4300)

- 1) Finish: All exterior surfaces are bright polished.
- 2) Parts mount to the face of the grille without cutting, drilling or damaging the grille.
- 3) Mounts with an included backplate, from the backside of the grille (grille must remain on the vehicle) of the 2000-05 International 4300

## LH46604

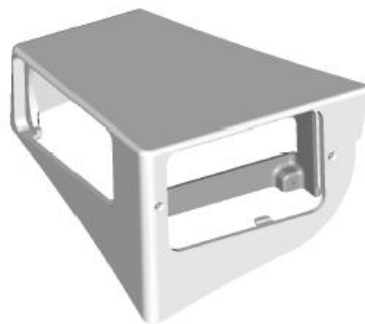


## LH46604

### Driver - Whelen 4" x 6" - Grille Mnt Lt Housing (2002-05 International 4300)

- 1) Finish: All exterior surfaces are bright polished.
- 2) Parts mount to the face of the grille without cutting, drilling or damaging the grille.
- 3) Mounts with an included backplate, from the backside of the grille (grille must remain on the vehicle) of the 2000-05 International 4300

## LH46707



## LH46707

### Comb. Whelen 4" x 6" Fwd / 3" x 7" Int. Driver Lt Hsg - for 2002-05 International 4300

- 1) Finish: All exterior surfaces are bright polished.
- 2) Part mounts to the fender of the 2000-05 International 4300 to serve as an Intersection and forward facing warning light of the 2000-05 International 4300

## LH46708

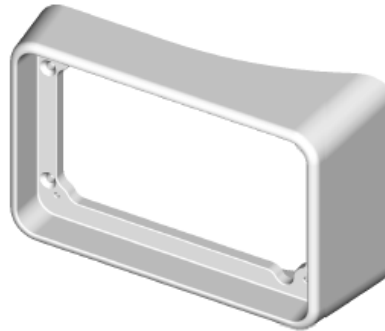
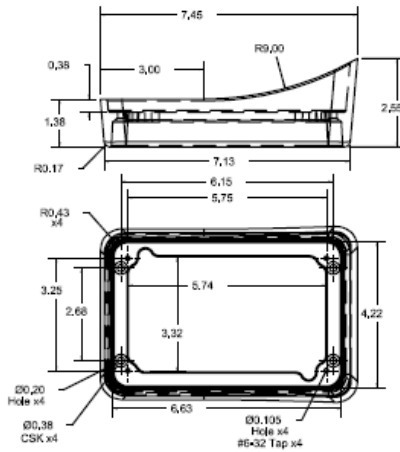


## LH46708

Comb. Whelen 4" x 6"  
Fwd / 3" x 7" Int.  
Passenger Lt Hsg - for  
2002-05 International 4300

- 1) Finish: All exterior surfaces are bright polished.
- 2) Part mounts to the fender of the 2000-05 International 4300 to serve as an intersection and forward facing warning light of the 2000-05 International 4300

## LH46709

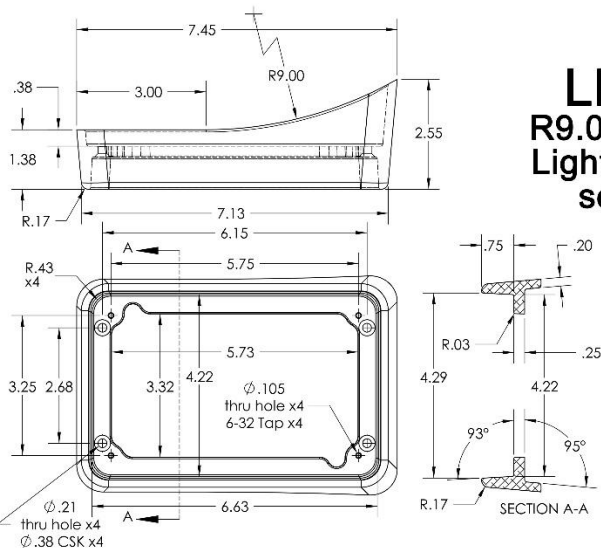


## LH46709

### Intersection Light Housing - Whelen 64 LED - 9" Rad.

- 1) Finish: All exterior surfaces are bright polished.
- 2) Angle: 0°
- 3) Fits 9" radius corner post.

## LH46710



## LH46710

R9.0" Intersection  
Light Housing (64  
series LED)



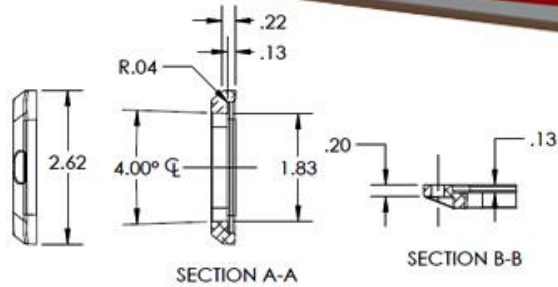
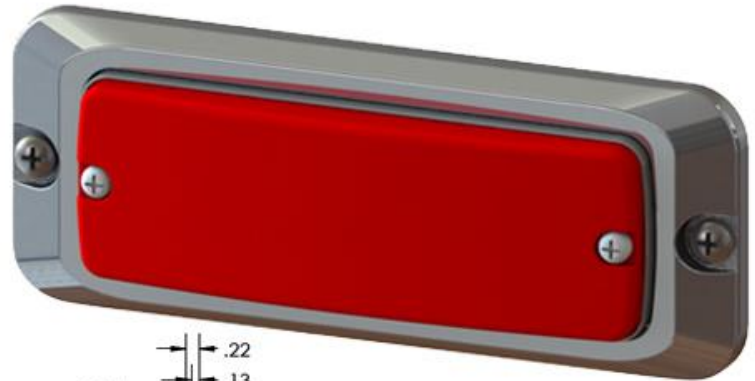
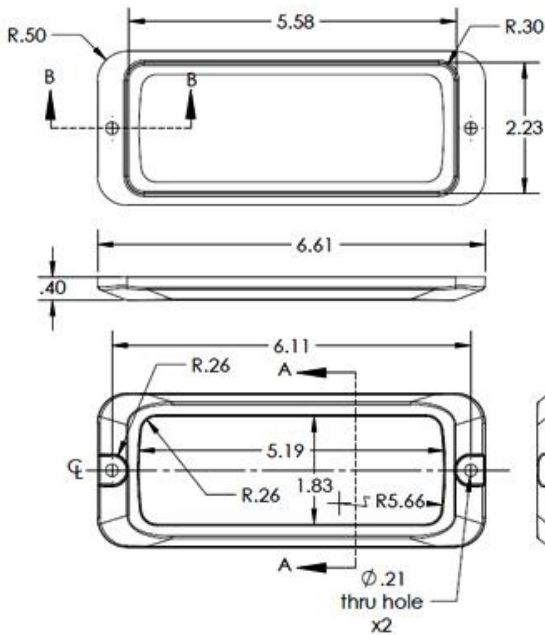
1. Finish: polished exterior (-1).

## 2" x 5" Light Housings

**LH52001**

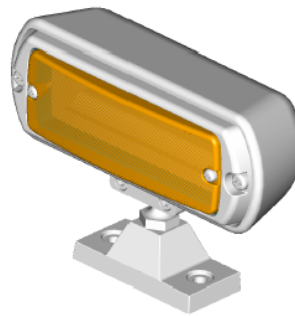
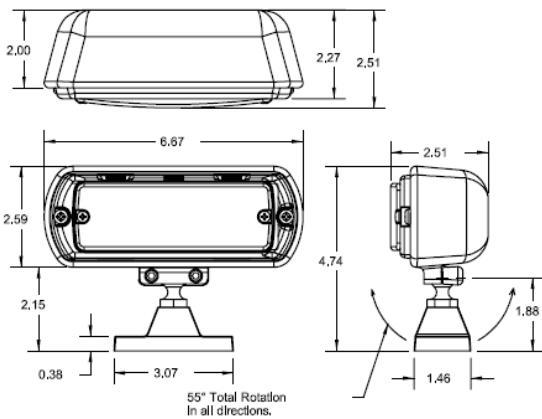
**LH52001-1**  
**Surface Mount Trim Casting (500 Series Super LED TIR6)**

1. Finish: exterior surfaces are polished.
2. For light mounting of 500 Series Super LED TIR6.



**LH52501**

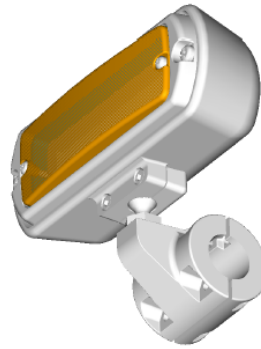
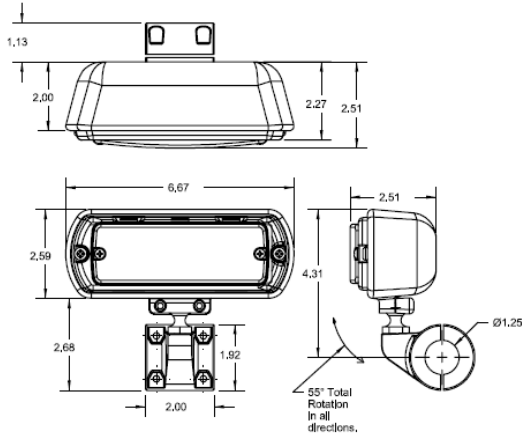
**LH52501**  
**Swivel (Flat) Mount Light Housing, Whelen 52 Series Linear Strobe**



- 1) Finish: polished exterior.
- 2) Designed for use as a Swivel (Flat) Mount Light Housing for Whelen 52 Series Linear Strobe



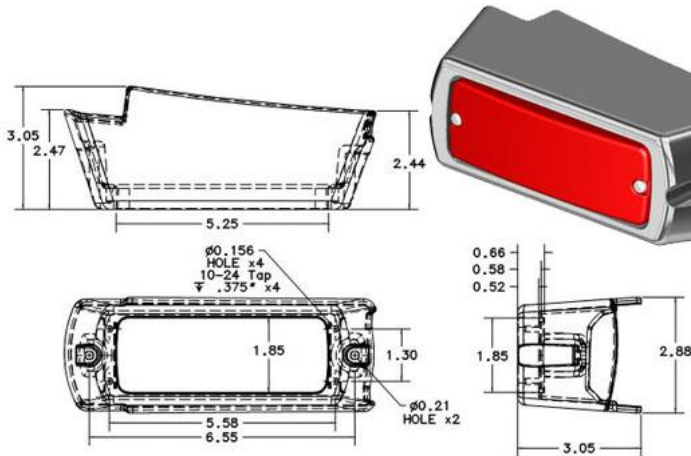
## LH52503



## LH52503 Swivel (1 1/4" OD Crash Bar) Mount Light Housing, Whelen 52 Series Linear Strobe

- 1) Finish: polished exterior.
- 2) Designed for use as a 1 1/4" diameter Crash Bar Mount Light Housing for Whelen 52 Series Linear Strobe

## LH52605 LH52606

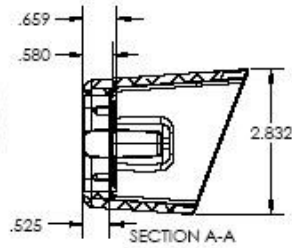


## LH52605 and LH52606 Grille Mount Housings for 2008 Ford E series SD Van

- 1) Finish: polished exterior.
- 2) LH52605 Driver Side.  
LH52606 Passenger Side.
- 3) For Whelen 500 series TIR6 Super LED or 500 series Linear Strobe Lights.

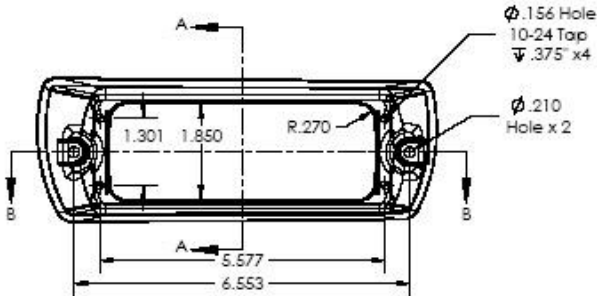


LH52609 LH52610

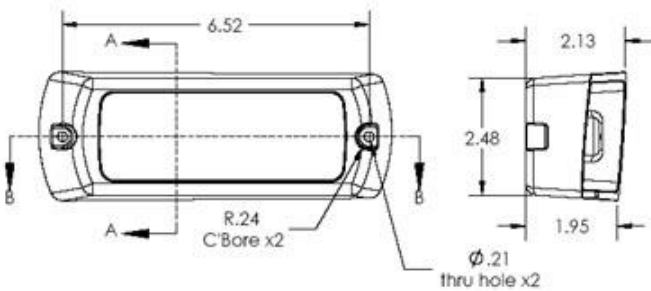


**LH52609-1 & LH52610-1  
Grille Mount Lt Hsg Assembly (Whelen  
500 series TIR6 Super LED or 500 series  
Linear Strobe) '08-'09 Chevy G3500**

- 1) Finish: Exterior surfaces are polished
- 2) LH52610-1 Passenger Side shown  
LH52609-1 Driver Side is opposite



LH52611 LH52612



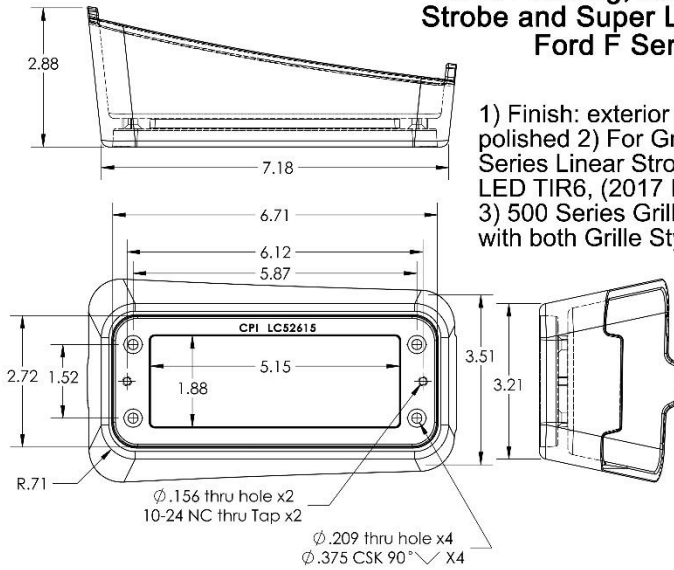
**LH52611-1 & LH52612-1  
Grille Mount Lt Hsg Assembly (Whelen  
500 series TIR6 Super LED only)  
2011 Ford F Series SD**

- 1) Finish: Exterior surfaces are polished
- 2) LH52611-1 Passenger Side shown  
LH52612-1 Driver Side is opposite

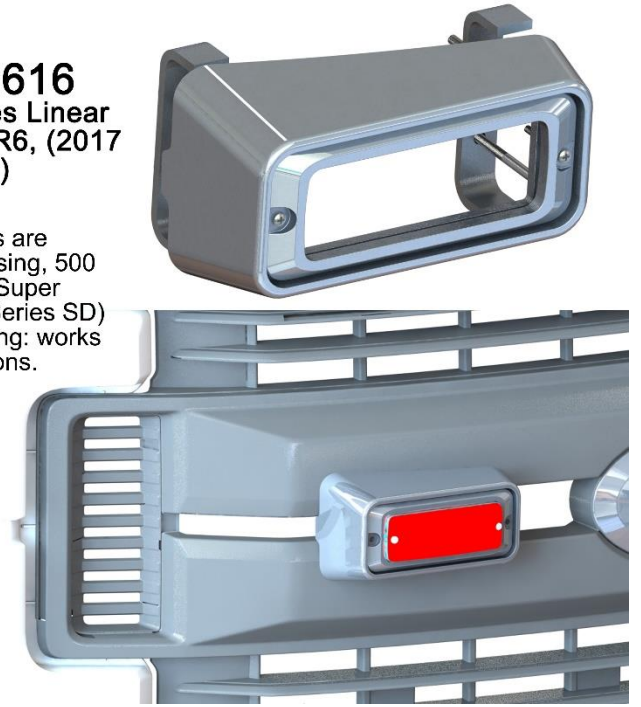


**LH52615 LH52616**

**LH52615 LH52616**  
 Grille Housing, 500 Series Linear Strobe and Super LED TIR6, (2017 Ford F Series SD)

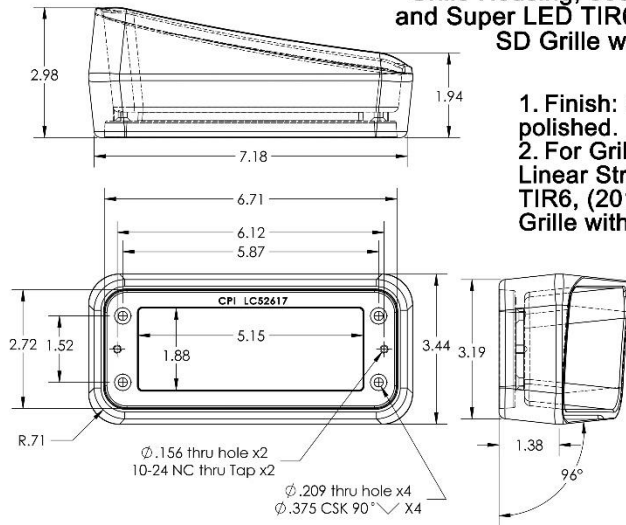


- 1) Finish: exterior surfaces are polished
- 2) For Grille Housing, 500 Series Linear Strobe and Super LED TIR6, (2017 Ford F Series SD)
- 3) 500 Series Grille Housing: works with both Grille Style Options.



**LH52617 LH52618**

**LH52617 LH52618**  
 Grille Housing, 500 Series Linear Strobe and Super LED TIR6, (2017 Ford F Series SD Grille w/o End Vents)

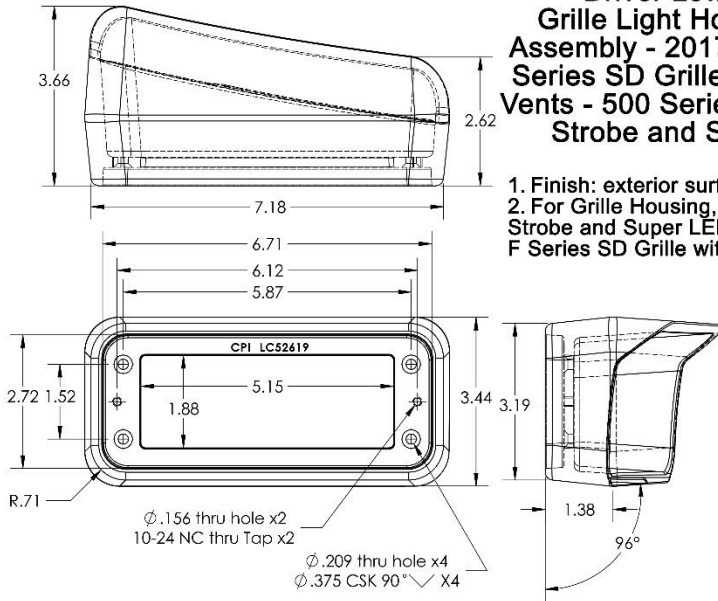


1. Finish: exterior surfaces are polished.
2. For Grille Housing, 500 Series Linear Strobe and Super LED TIR6, (2017 Ford F Series SD Grille without End Vents).



**LH52619 LH52620**

**LH52619 LH52620**  
 Passenger Upper and  
 Driver Lower  
 Grille Light Housing  
 Assembly - 2017 Ford F  
 Series SD Grille w/ End  
 Vents - 500 Series Linear  
 Strobe and Super

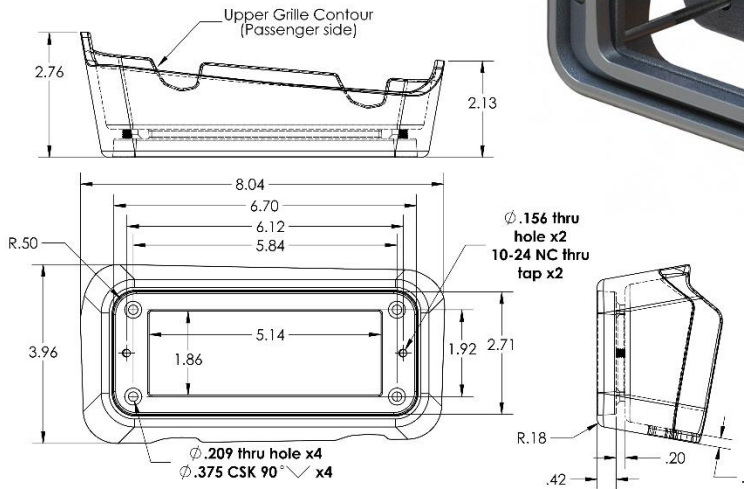


1. Finish: exterior surfaces are polished.
2. For Grille Housing, 500 Series Linear Strobe and Super LED TIR6, (2017 Ford F Series SD Grille with End Vents).

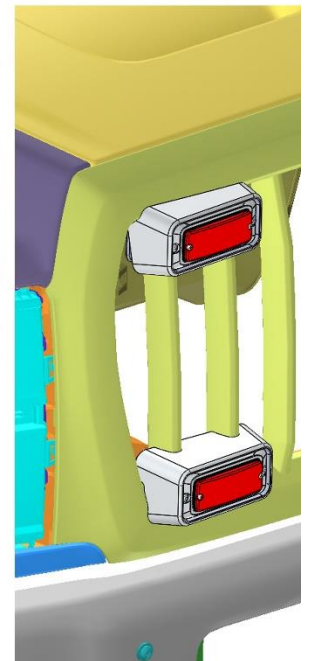
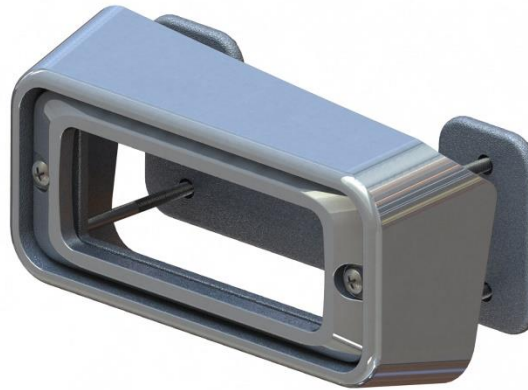


**LH52621 LH52622**

**LH52621 LH52622**  
 Upper Grille Mnt Light Hsg  
 for 2019 International CV (500  
 Series Linear Strobe and  
 Super LED TIR6)

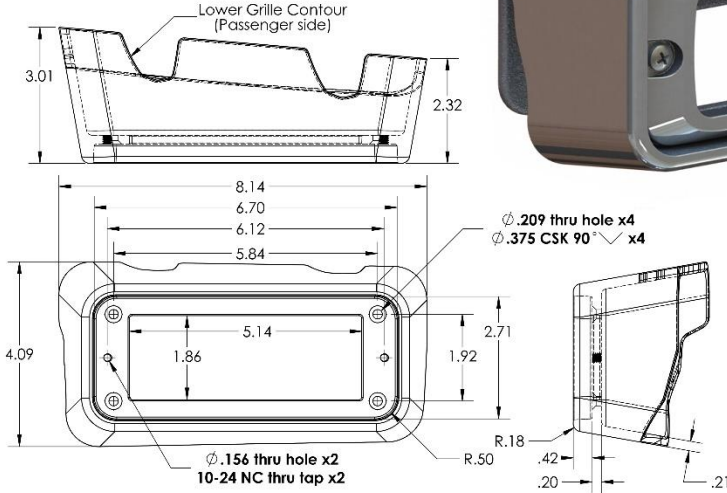


1. Finish: exterior surfaces are polished.
2. For 2019 International CV (500 Series Linear Strobe and Super LED TIR6)

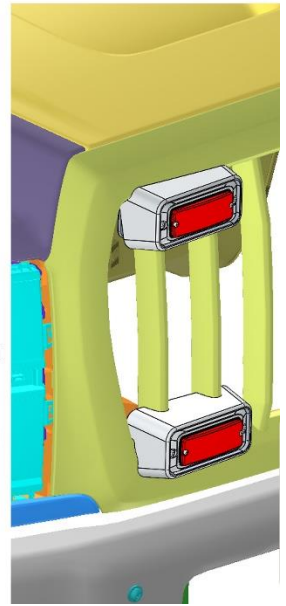


**LH52623 LH52624**

**LH52623 LH52624**  
 Lower, Grille Mnt Light Hsg  
 for 2019 International CV (500  
 Series Linear Strobe and  
 Super LED TIR6)

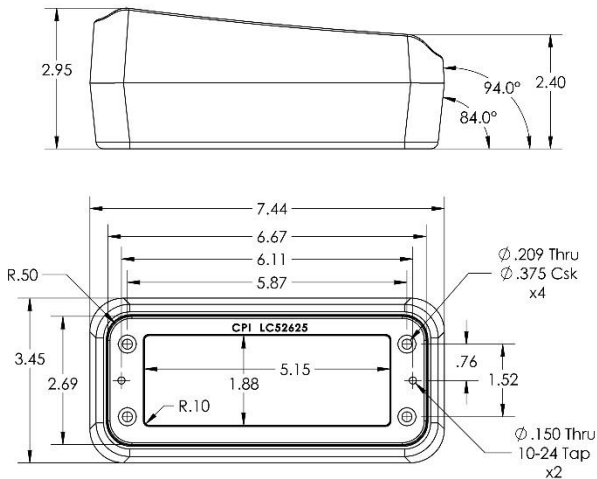


- 1) Finish: exterior surfaces polished.
- 2) For QUAD, 2019 International CV (500 Series Linear Strobe and Super LED TIR6)

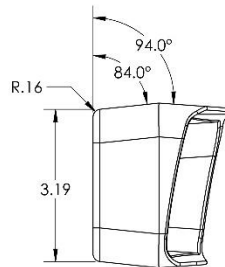


**LH52625 LH52626**

**LH52625 LH52626**  
 Upper - Grille Lt Hsg - 2020  
 Ford F Series SD -  
 500 Series Linear Strobe &  
 Super LED TIR6

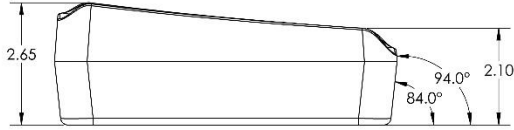


- 1) Finish: (-1) Polished exterior.

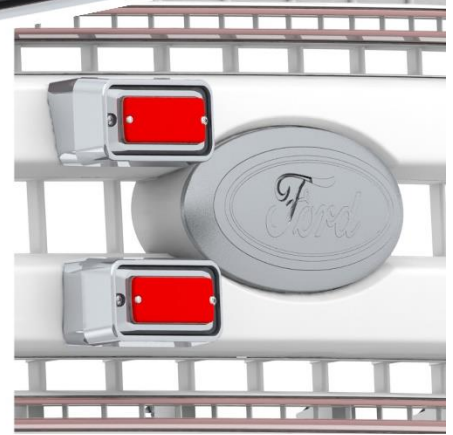
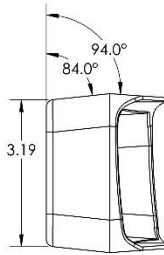
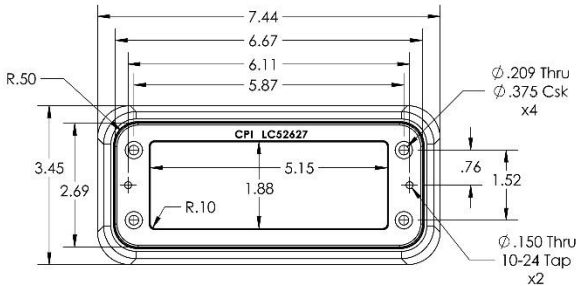


**LH52627 LH52628**

**LH52627 LH52628**  
 Lower - Grille Lt Hsg - 2020  
 Ford F Series SD -  
 500 Series Linear Strobe &  
 Super LED TIR6



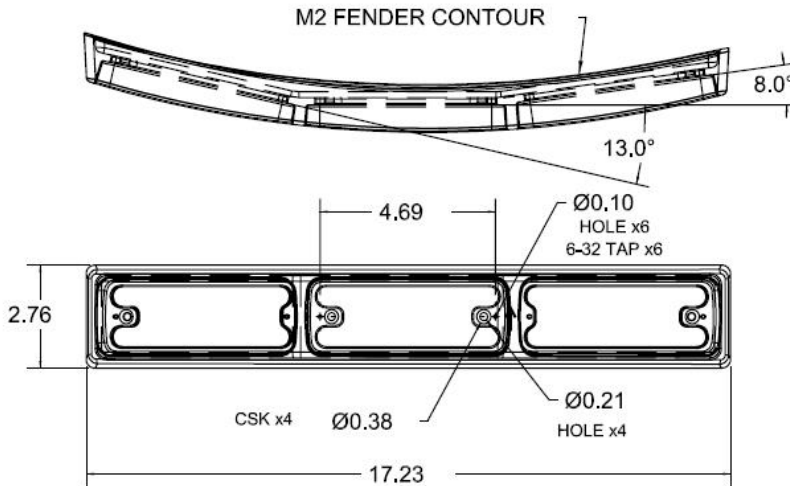
1) Finish: (-1) Polished exterior.



**LH52703**

**LH52703**

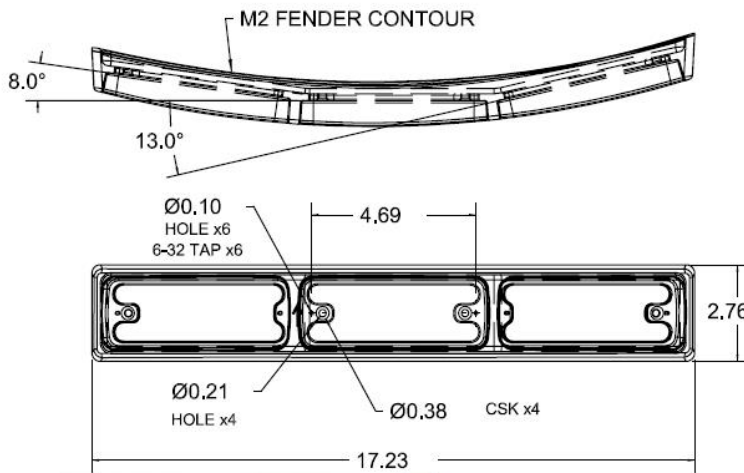
**Triple 500 Series LED  
 Intersection Lt Hsg -  
 2003-05 Freightliner  
 M2 - Driver**



- 1) Finish: All exterior surfaces are bright polished.
- 2) Angle: multiple°
- 3) Total surface mount, No clearance hole in the body required.
- 4) Fits front fender curvature, Under the headlight, of 2003-05 Freightliner M2.

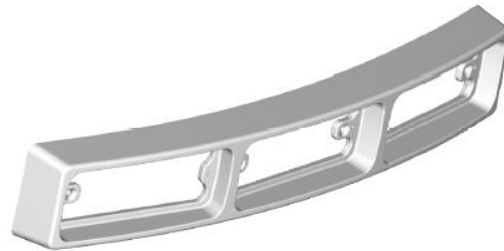


## LH52704



## LH52704 Triple 500 Series LED Intersection Lt Hsg - 2003-05 Freightliner M2 - Passenger

- 1) Finish: All exterior surfaces are bright polished.
- 2) Angle: multiple°
- 3) Total surface mount. No clearance hole in the body required.
- 4) Fits front fender curvature, Under the headlight, of 2003-05 Freightliner M2.

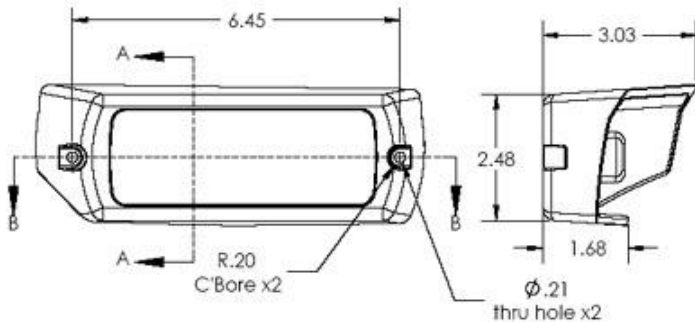


## LH52707 LH52708



## LH52707-1 & LH52708-1 Intersection Lt Hsg - 15d. (Whelen 500 series TIR6 Super LED only) 2011 Ford F Series SD

- 1) Finish: Exterior surfaces are polished
- 2) LH52707-1 Passenger Side shown  
LH52708-1 Driver Side is opposite
- 3) For Large Fender Flare.



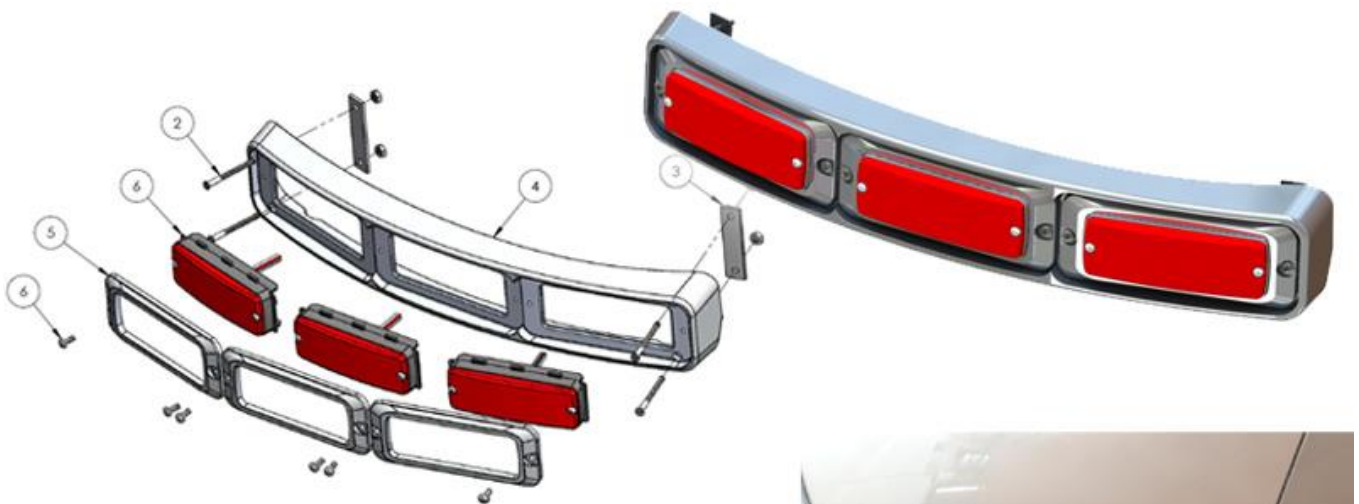
LH52709 LH52710



**LH52709-1 & LH52710-1**  
Triple 500 Series, 2014 Sprinter  
Under-the-Headlight Housing.

- 1) Finish: Exterior surfaces are polished
- 2) LH52709-1 Driver Side shown  
LH52710-1 Passenger Side is opposite

LH52711 LH52712

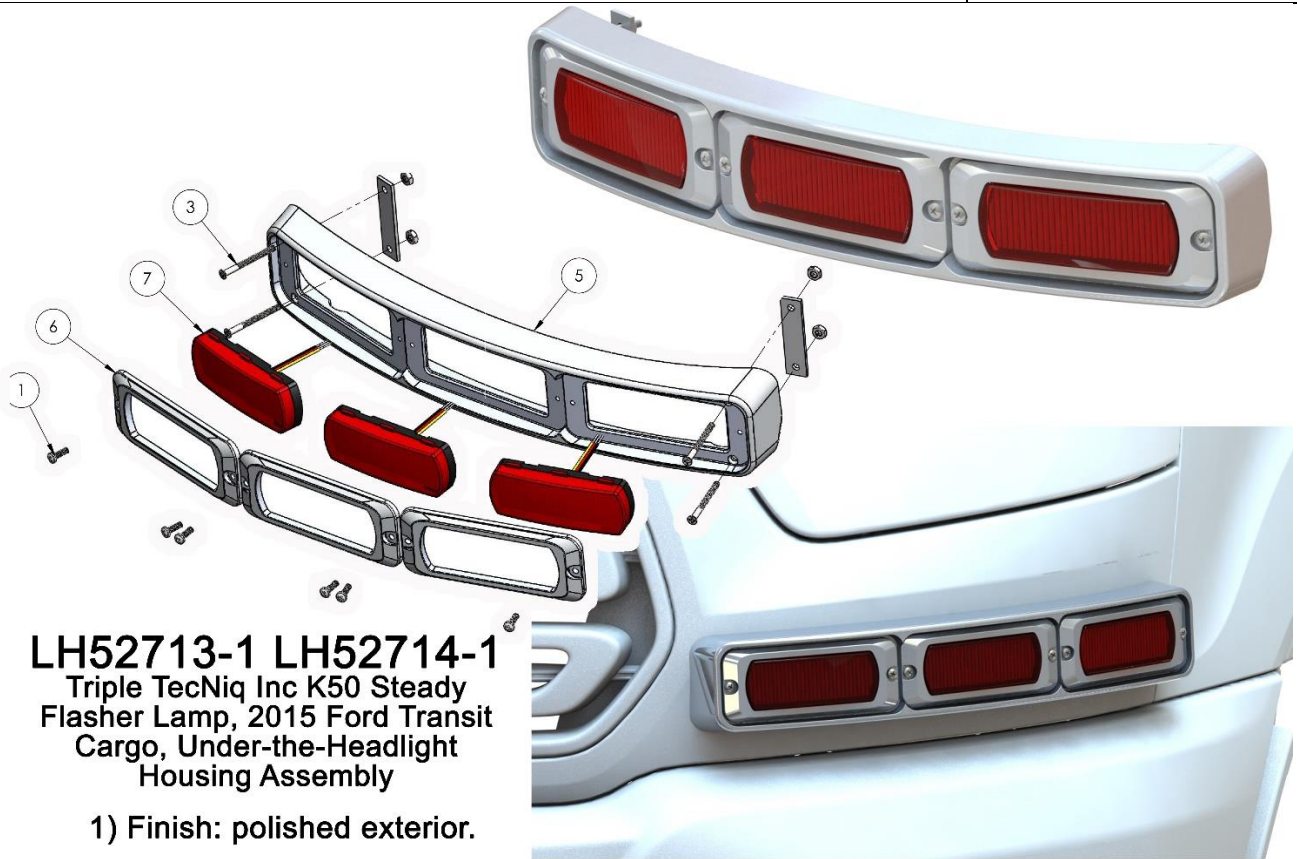


**LH52711-1 & LH52712-1**  
Triple 500 Series Super LED TIR6,  
2015 Ford Transit Cargo,  
Under-the-Headlight Housing  
Assembly





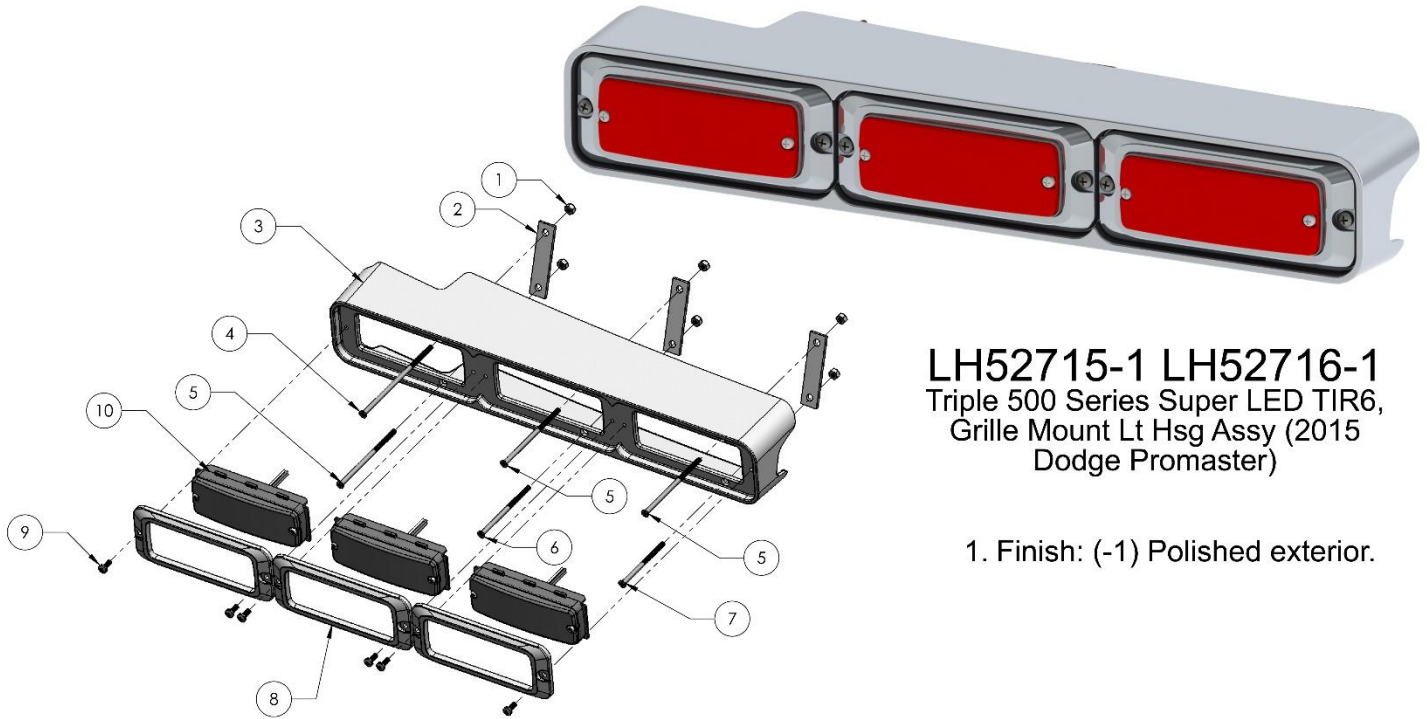
LH52713 LH52714



**LH52713-1 LH52714-1**  
Triple TecNiq Inc K50 Steady  
Flasher Lamp, 2015 Ford Transit  
Cargo, Under-the-Headlight  
Housing Assembly

1) Finish: polished exterior.

LH52715 LH52716

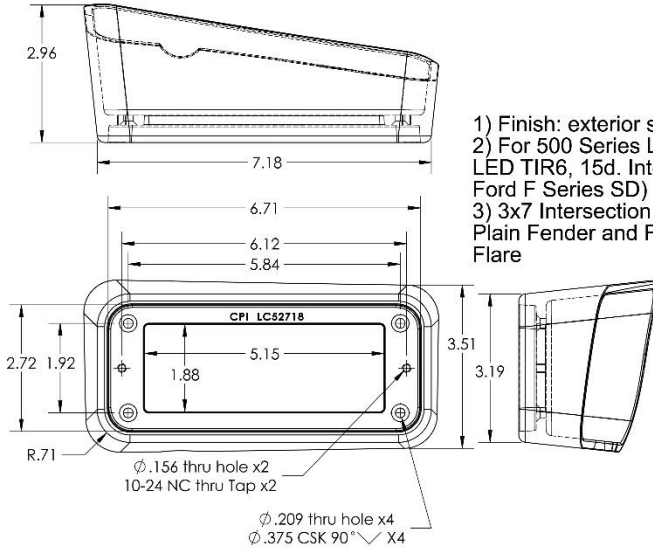


**LH52715-1 LH52716-1**  
Triple 500 Series Super LED TIR6,  
Grille Mount Lt Hsg Assy (2015  
Dodge Promaster)

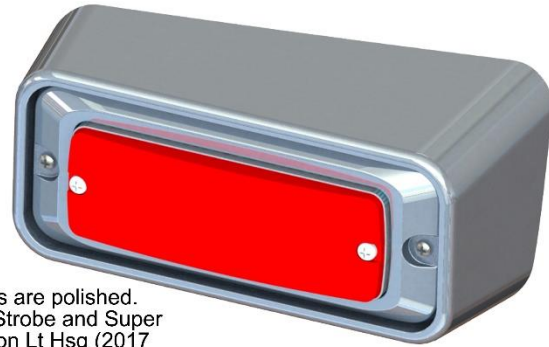
1. Finish: (-1) Polished exterior.

**LH52717 LH52718**

**LH52717-1 LH52718-1**  
 Housing, 500 Series Linear Strobe and  
 Super LED TIR6, 15d. Intersection Lt Hsg  
 (2017 Ford F Series SD)

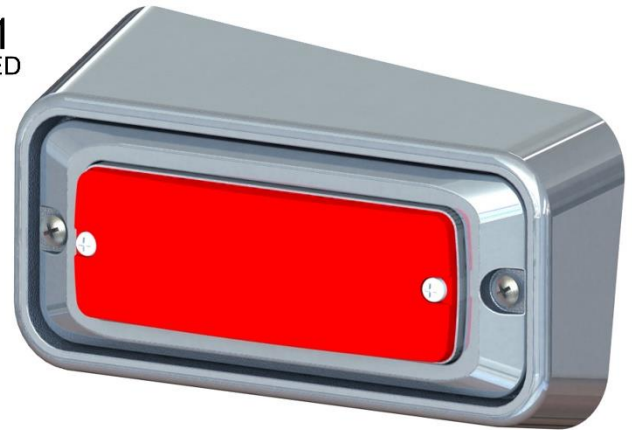
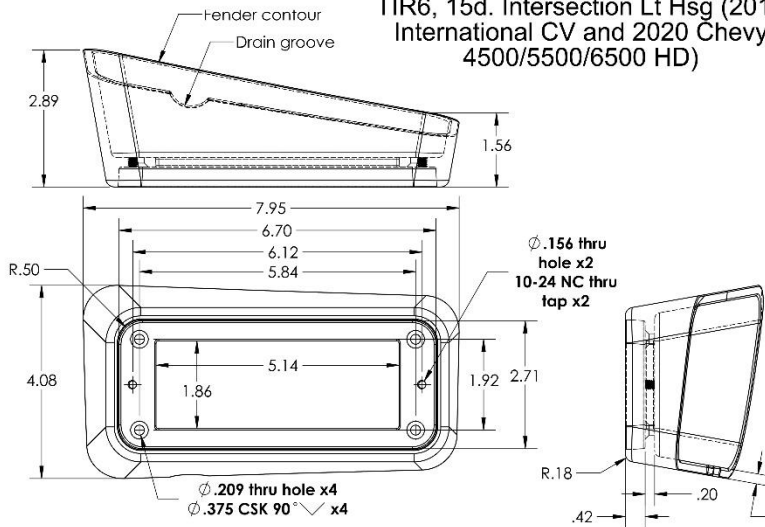


- 1) Finish: exterior surfaces are polished.
- 2) For 500 Series Linear Strobe and Super LED TIR6, 15d. Intersection Lt Hsg (2017 Ford F Series SD)
- 3) 3x7 Intersection Housing: works with Plain Fender and Fender with Large Fender Flare



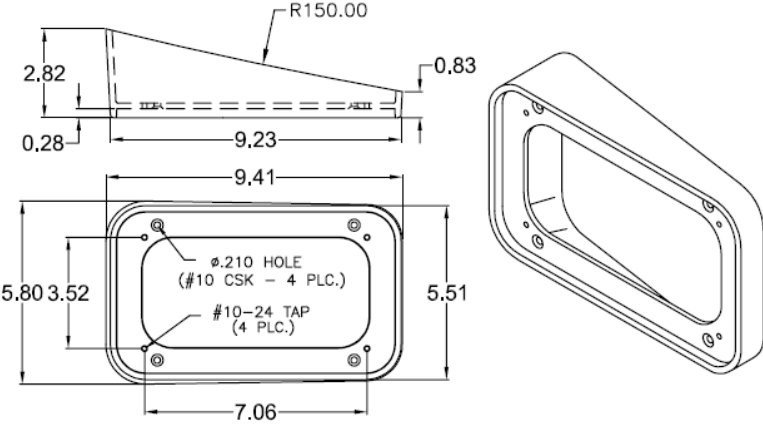
**LH52719 LH52720**

**LH52719-1 LH52720-1**  
 500 Series Linear Strobe and Super LED  
 TIR6, 15d. Intersection Lt Hsg (2019  
 International CV and 2020 Chevy  
 4500/5500/6500 HD)

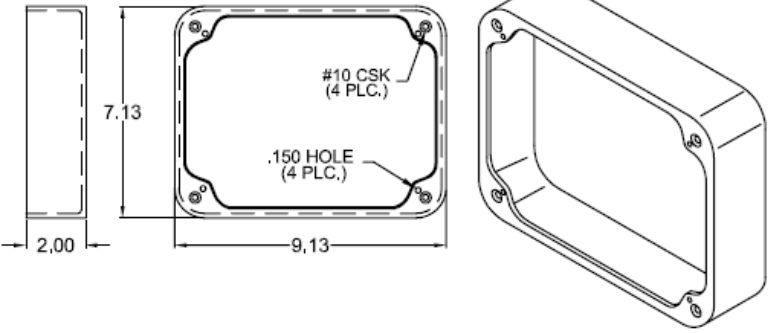


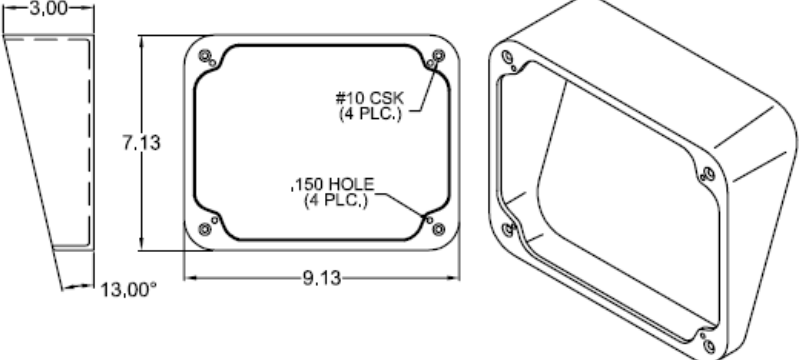
- 1) Finish: exterior surfaces are polished.
- 2) For 500 Series Linear Strobe and Super LED TIR6, 15d. Intersection Lt Hsg (2019 International CV and 2020 Chevy 4500/5500/6500 HD)

## 5" x 8" Light Housings

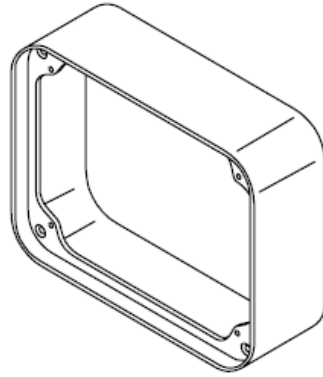
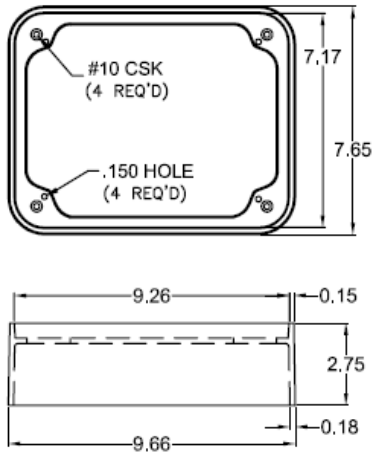
<b>LH58201</b>	
	<div style="text-align: center;"> <h3>LH58201</h3> <h4>Light Housing (508 Series)</h4> </div> <ol style="list-style-type: none"> <li>1) Finish: All exterior surfaces are bright polished.</li> <li>2) Angle: 0°</li> <li>3) Total surface mount. No clearance hole in the body required.</li> <li>4) Fits halogen or linear strobe.</li> <li>5) Fits cab curvature of 150" radius.</li> </ol>

## 7" x 9" Light Housings

<b>LH79101</b>	
	<div style="text-align: center;"> <h3>LH79101</h3> <h4>Light Housing (7" x 9" Light)</h4> </div> <ol style="list-style-type: none"> <li>1) Finish: All exterior surfaces are bright polished.</li> <li>2) Angle: 0°</li> <li>3) Total surface mount. No clearance hole in the body required.</li> </ol>

<b>LH79102</b>	
	<div style="text-align: center;"> <h3>LH79102</h3> <h4>Light Housing (7" x 9" Light)</h4> </div> <ol style="list-style-type: none"> <li>1) Finish: All exterior surfaces are bright polished.</li> <li>2) Angle: 13°</li> <li>3) Total surface mount. No clearance hole in the body required.</li> </ol>

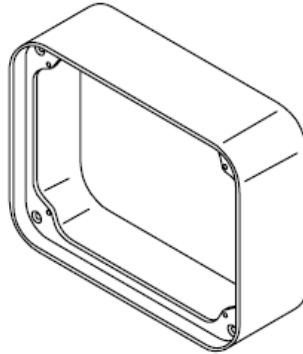
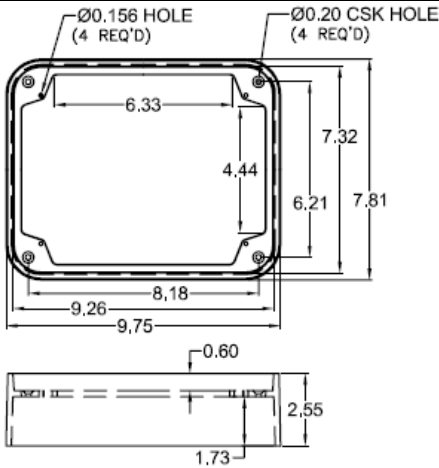
### LH79103



## LH79103 Light Housing (7" x 9" Light)

- 1) Finish: All exterior surfaces are bright polished.
- 2) Angle: 0°
- 3) Total surface mount. No clearance hole in the body required.

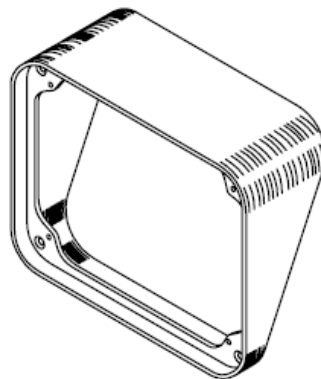
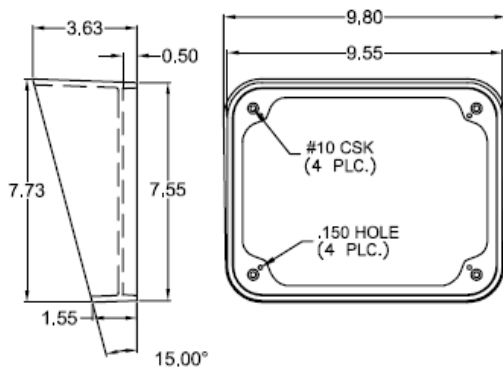
### LH79104



## LH79104 Light Housing (7" x 9" Light)

- 1) Finish: All exterior surfaces are bright polished.
- 2) Angle: 0°
- 3) Total surface mount. No clearance hole in the body required.

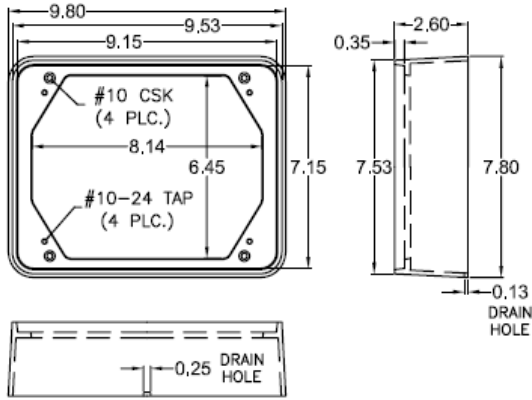
### LH79105



## LH79105 Light Housing (7" x 9" Light)

- 1) Finish: All exterior surfaces are bright polished.
- 2) Angle: 15°
- 3) Total surface mount. No clearance hole in the body required.

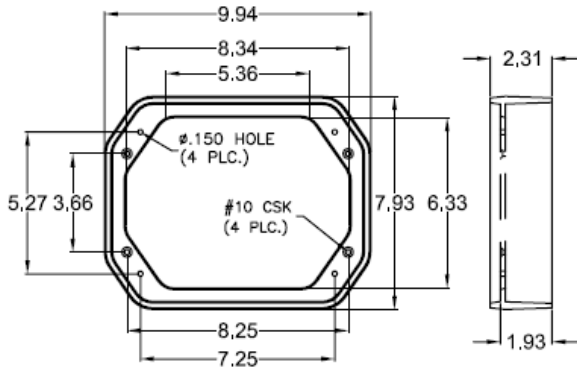
## LH79106



## LH79106 Light Housing (Weldon 7" x 9" Light)

- 1) Finish: All exterior surfaces are bright polished.
- 2) Angle: 0°

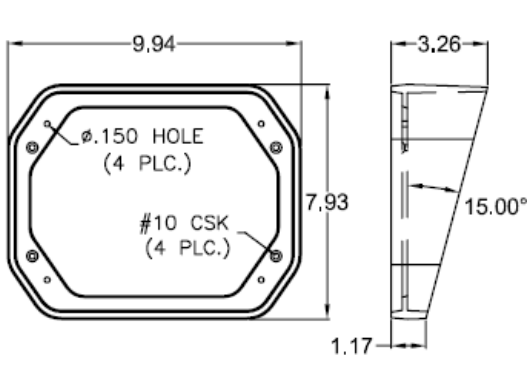
## LH79107



## LH79107 Light Housing (7" x 9" Code-3 Light)

- 1) Finish: All exterior surfaces are bright polished.
- 2) Angle: 0°
- 3) Total surface mount. No clearance hole in the body required.

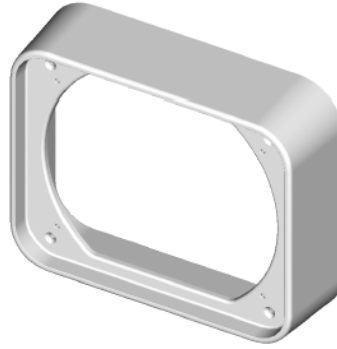
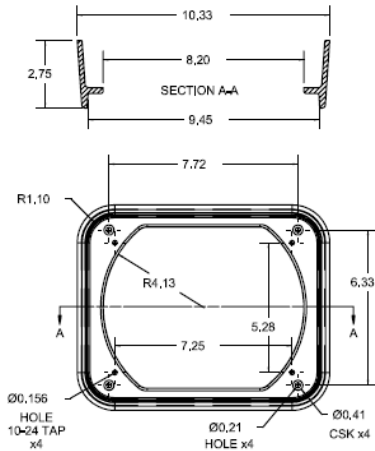
## LH79108



## LH79108 Light Housing (7" x 9" Code-3 Light)

- 1) Finish: All exterior surfaces are bright polished.
- 2) Angle: 15°
- 3) Total surface mount. No clearance hole in the body required.

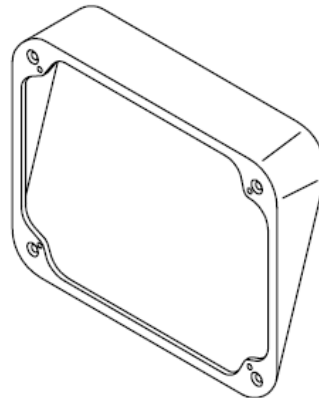
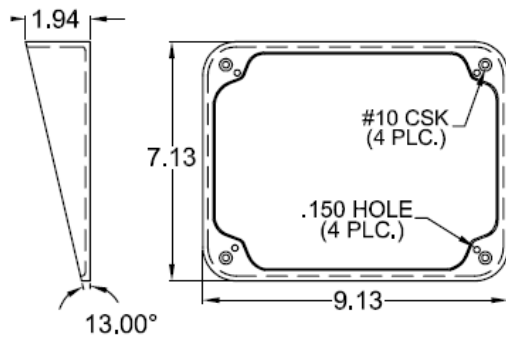
## LH79110



## LH79110 Light Housing (7" x 9" Code-3 Light)

- 1) Finish: All exterior surfaces are bright polished.
- 2) Angle: 0°
- 3) Total surface mount. No clearance hole in the body required.

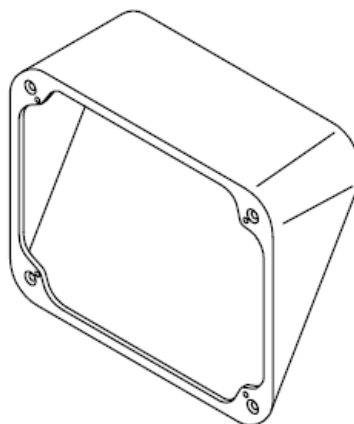
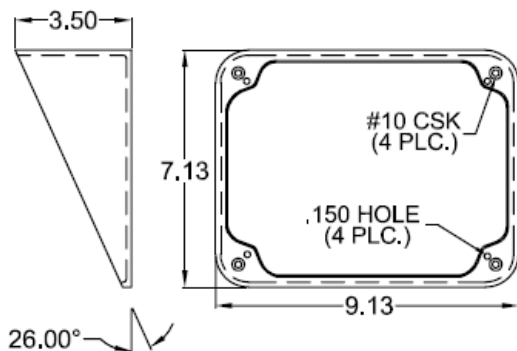
## LH79201



## LH79201 Light Housing (7" x 9" Light)

- 1) Finish: All exterior surfaces are bright polished.
- 2) Angle: 13°

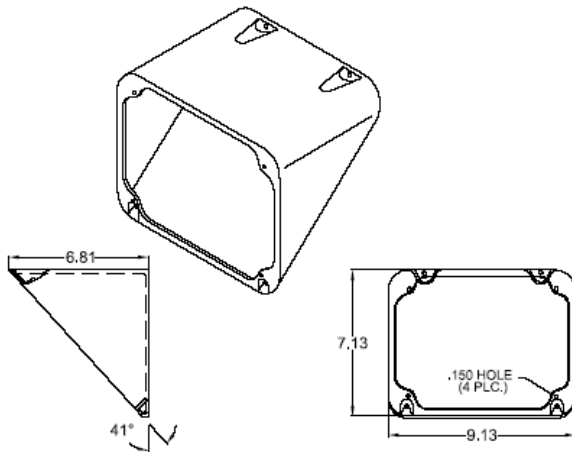
## LH79202



## LH79202 Light Housing (7" x 9" Light)

- 1) Finish: All exterior surfaces are bright polished.
- 2) Angle: 26°

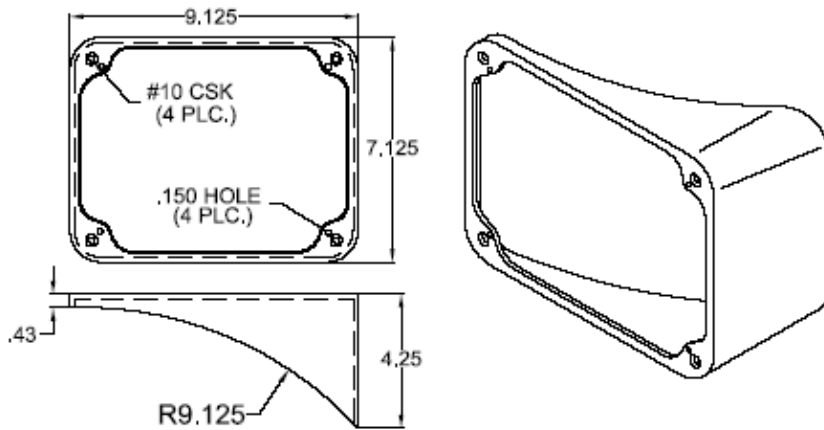
## LH79205



## LH79205 Light Housing (7" x 9" Light)

- 1) Finish: All exterior surfaces are bright polished.
- 2) Angle: 0°

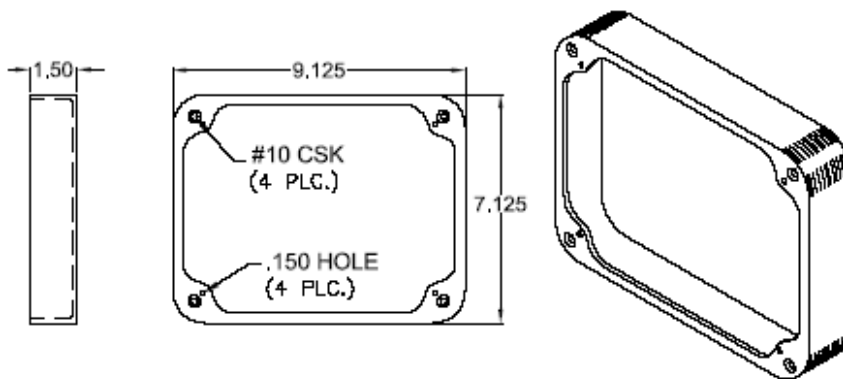
## LH79207



## LH79207 Light Housing (7" x 9" Light)

- 1) Finish: All exterior surfaces are bright polished or 120 grit ground.
- 2) Radius: 9 1/8"

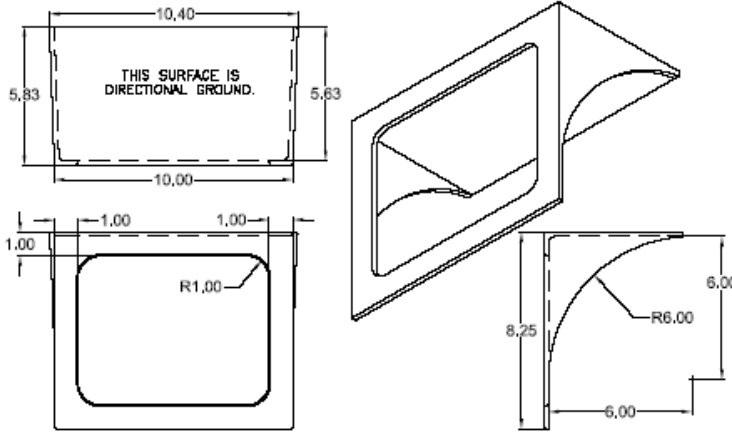
## LH79209



## LH79209 Light Housing (7" x 9" Light)

- 1) Finish: All exterior surfaces are bright polished or 120 grit ground.
- 2) Angle: 0°

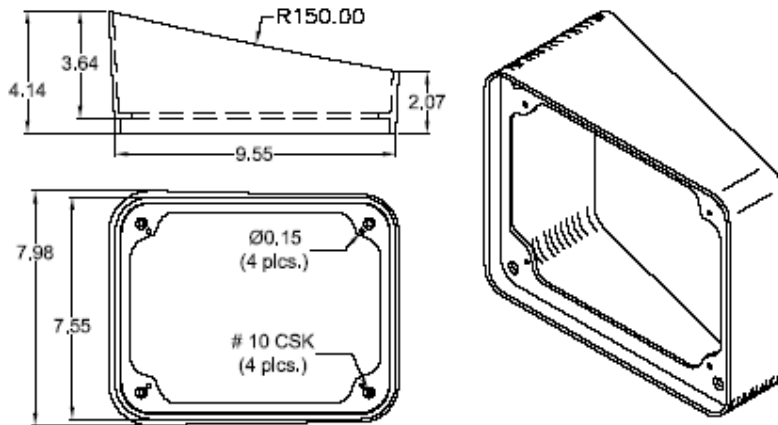
## LH79210



## LH79210 Light Housing (7" x 9" Light)

- 1) Finish: All exterior surfaces are bright polished or 120 grit ground.
- 2) Mounts to the top 6" radius rail of the module body.

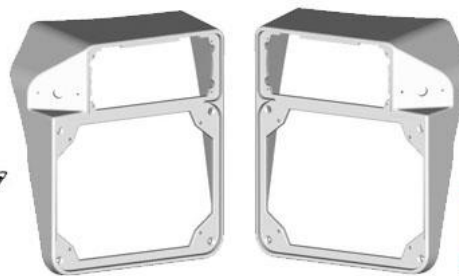
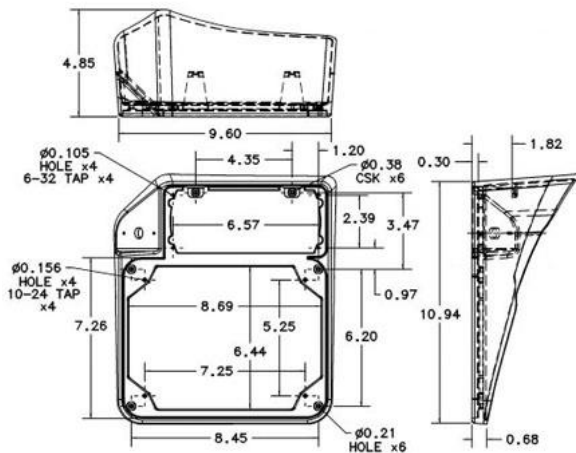
## LH79211



## LH79211 Light Housing (7" x 9" Light)

- 1) Finish: All exterior surfaces are bright polished or 120 grit ground.
- 2) Mounts to the top 150" radius rail of the module body.

## LH79215 LH79216



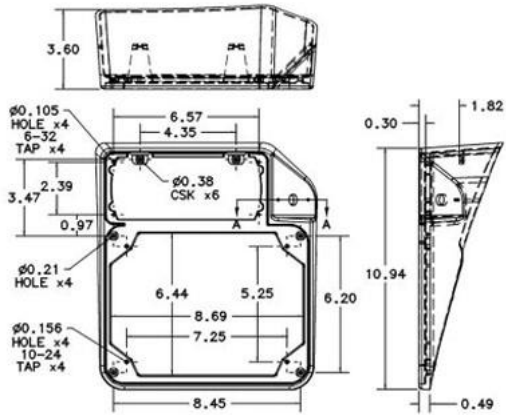
## LH79215 and LH79216 Front 7x9 3x7 Marker Light Housing for 2008 Dodge Sprinter



- 1) Finish: polished exterior.
- 2) LH79215 Driver Side.  
LH79216 Passenger Side.
- 3) Mounts at top of



## LH79217 LH79218

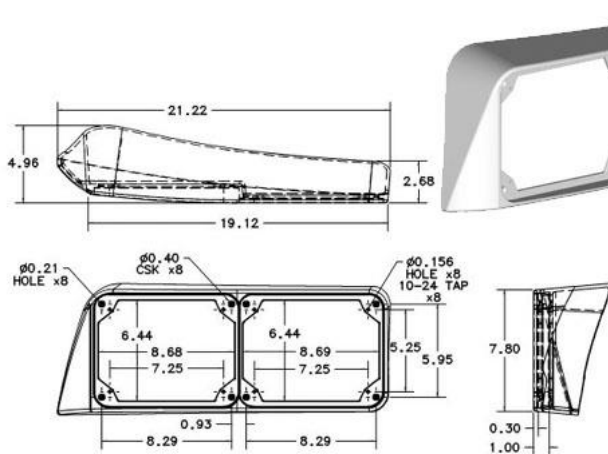


**LH79217 and  
LH79218**  
Rear 7x9 3x7 Marker  
Light Housing for 2008  
Dodge Sprinter



- 1) Finish: polished exterior.
- 2) LH79217 Driver Side.  
LH79218 Passenger Side.
- 3) Mounts at top of

## LH79219 LH79220



**LH79219 and  
LH79220**  
Rear 7x9 & 7x9 Light  
Housings for 2008  
Dodge Sprinter

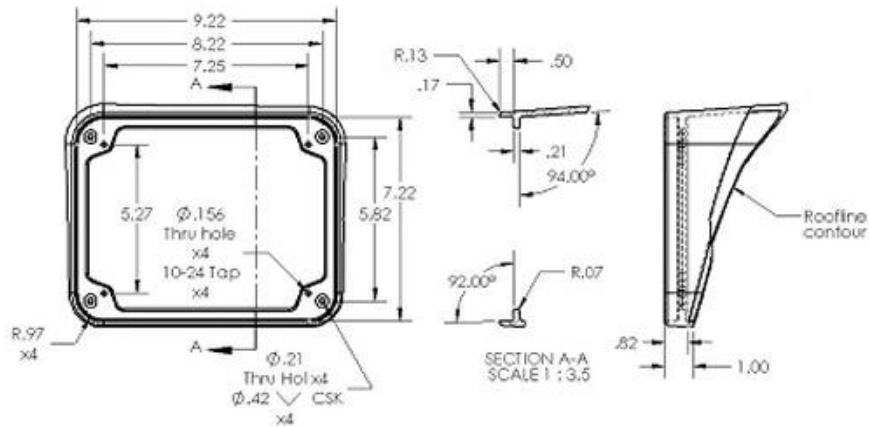


- 1) Finish: polished exterior.
- 2) LH79219 Driver Side.  
LH79220 Passenger Side.
- 3) Mounts at top of

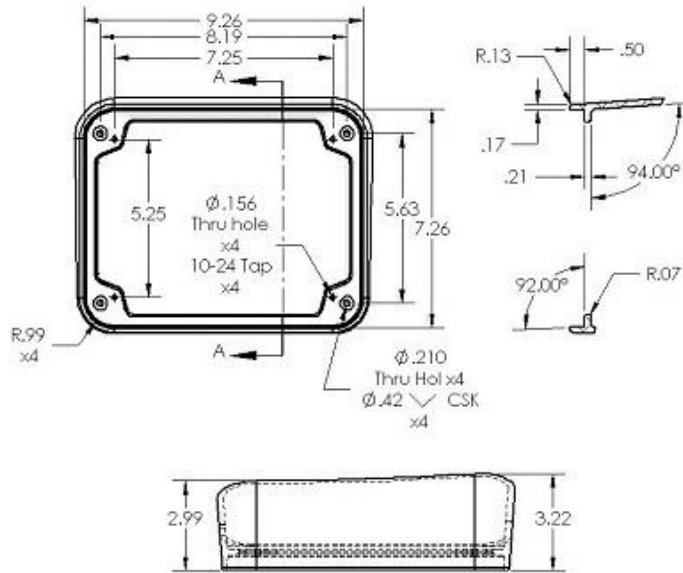
# LH79221 LH79222

## LH79221 & LH79222 Front 7x9 Light Housings (2008 Dodge Sprinter)

- 1) Finish: Exterior Surface Polished
- 2) LH79221 Front Driver Side Shown
- 3) LH79222 Front Passenger Side Opposite



## LH79223 LH79224

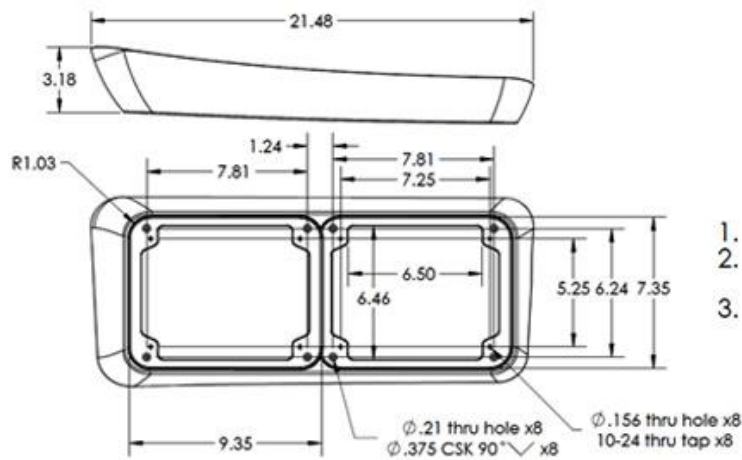


## LH79223 & LH79224 Rear 7x9 Light Housings (2008 Dodge Sprinter)

- 1) Finish: Exterior Surface Polished
- 2) LH79223 Rear Driver Side Shown
- 3) LH79224 Rear Passenger Side Opposite



## LH79225 LH79226



## LH79225-1 & LH79226-1 Rear 7x9 7x9 Light Housing (2015 Ford Transit Cargo Van - High Roof)

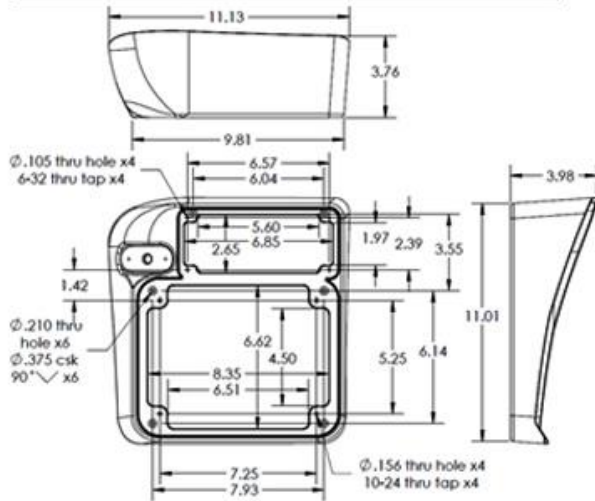
1. Finish: exterior is polished.
  2. LH79225-1 Driver side (shown).
  3. LH79226-1 Passenger side is opposite.
- For mounting Dual 7x9 Lights on rear doors of 2015 Ford Transit Cargo Van - High Roof).



## LH79227 LH79228

1. Finish: polished exterior surfaces.
2. For **High Roof** only, 2015 Ford Transit Cargo Van.
3. Combination 7x9 3x7 & Marker Light Housings.

<b>LH79227-1</b>	Driver - Front (shown)
	Passenger - Rear (shown)
<b>LH79228-1</b>	Passenger - Front
	Driver - Rear



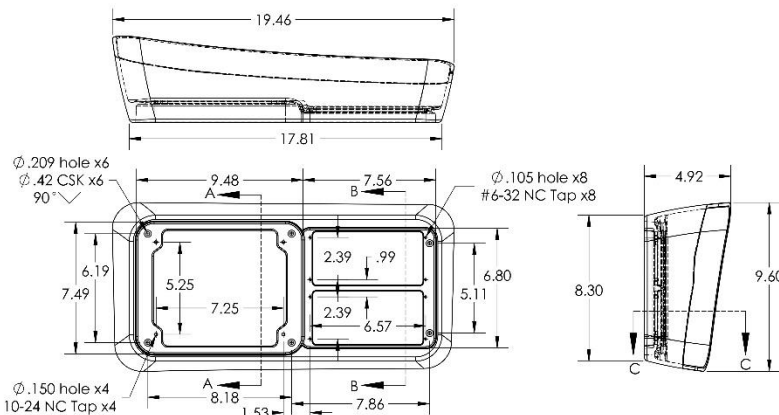
## LH79227-1 & LH79228-1 Front/Side and Passenger - Rear/Side 7x9 3x7 & Marker Light Housing (2015 Ford Transit Cargo Van - High Roof)



## LH79229 LH79230

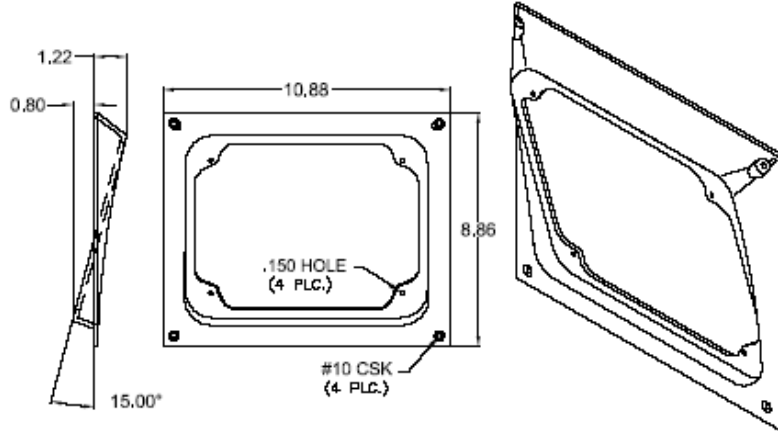


## LH79229-1 LH79230-1 High Roof, Rear Light Housing: Single 900 Light and two 700 Lights



1. Application: Driver Side, High Roof, Rear Light Housing: Single 900 7 x 9 Light and two 700 Scene, LED or Halogen 3 x 7 Lights (2015 Ford Transit Cargo Van).
2. Finish: polished exterior.

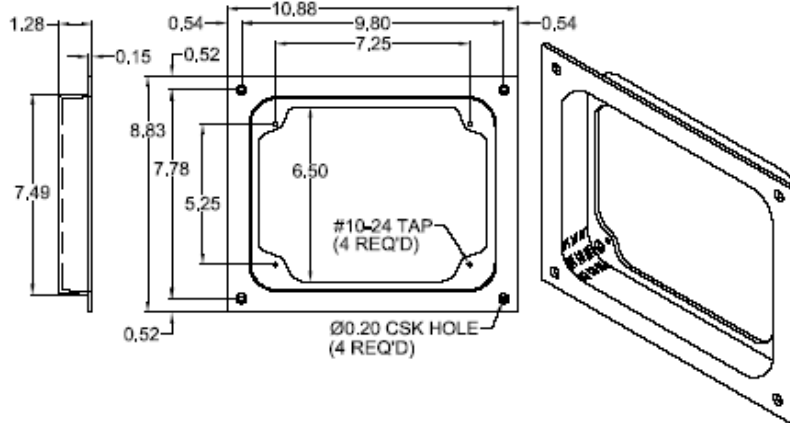
## LH79301



## LH79301 "Half-in" Light Housing (7" x 9" Light)

- 1) Finish: All exterior surfaces are bright polished or 120 grit ground.
- 2) Angle: 15°

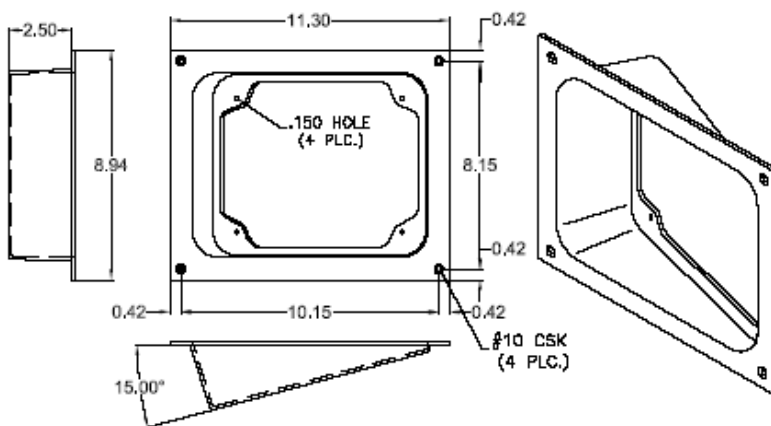
## LH79302



## LH79302 Recessed Light Housing (7" x 9" Light)

- 1) Finish: All exterior surfaces are bright polished or 120 grit ground.
- 2) Angle: 0°
- 3) Available with or without Flange mounting holes (customer please specify).

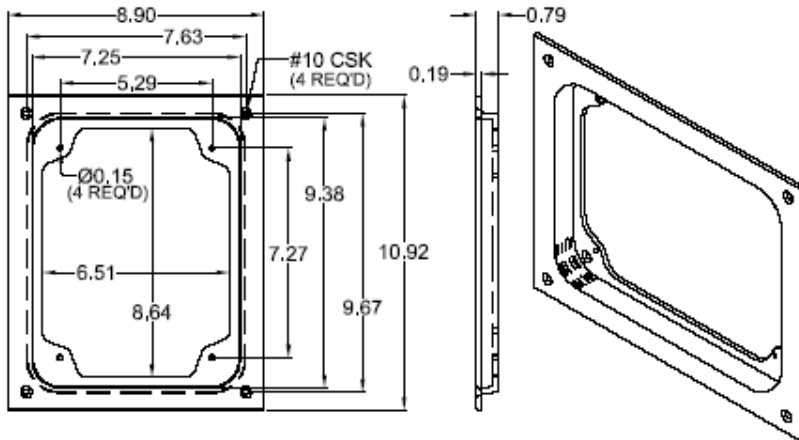
## LH79304



## LH79304 Recessed Light Housing (7" x 9" Light)

- 1) Finish: All exterior surfaces are bright polished or 120 grit ground.
- 2) Angle: 15°
- 3) Available with or without Flange mounting holes (customer please specify).
- 4) Use as an Intersection Light Housing.

## LH79311

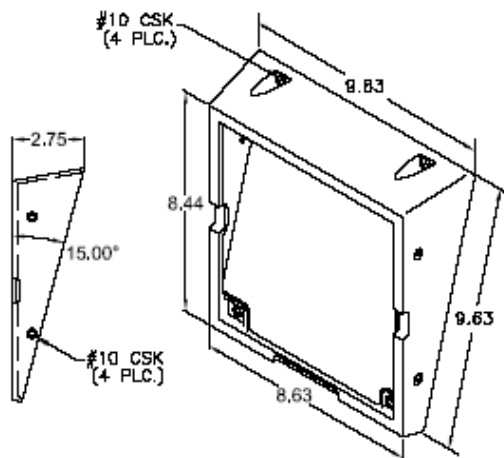


## LH79311 Recessed Light Housing (7" x 9" Light)

- 1) Finish: All exterior surfaces are bright polished.
- 2) Angle: 0°
- 3) Available with or without Flange mounting holes (customer please specify).

## Misc. Lights

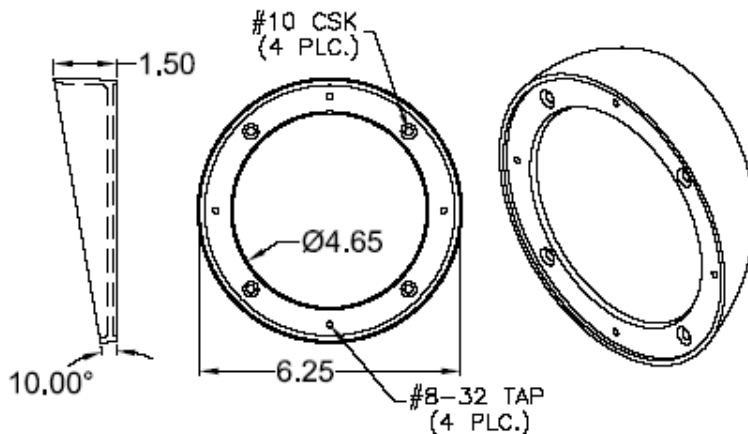
### LH90201



## LH90201 Light Trim GE 500 watt Quartz Light

- 1) Finish: All exterior surfaces are bright polished.
- 2) Angle: 0°

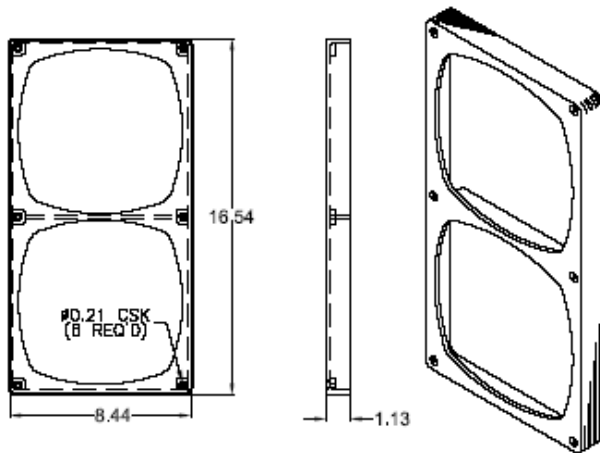
### LH90301



## LH90301 Light Housing (Betts B70A Light)

- 1) Finish: All exterior surfaces are bright polished or 120 grit ground.
- 2) Angle: 10°

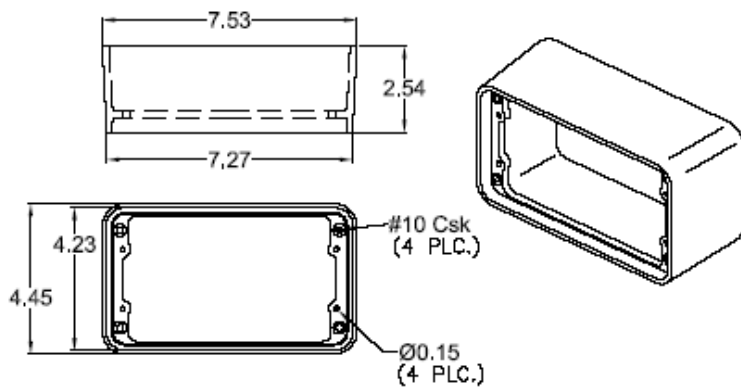
## LH90405



## LH90405 Double Light Trim Cat's Eye CE-600

- 1) Finish: all exterior surfaces are bright polished or 120 grit ground.
- 2) Angle: 0°
- 3) Function: provides an aesthetic trim where a two light cluster is to be mounted.

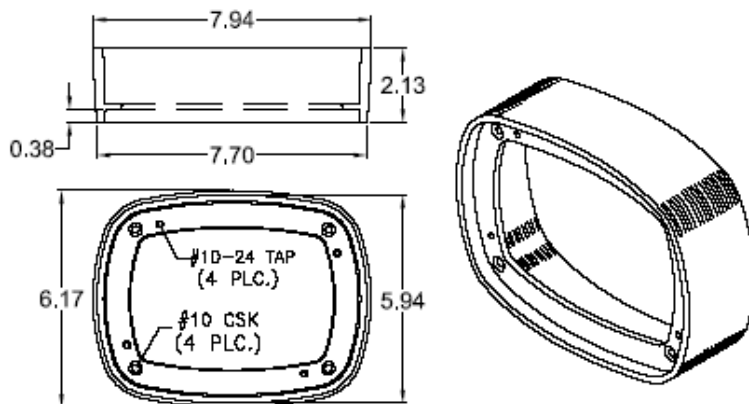
## LH90504



## LH90504 Light Housing Code-3 Oscillator

- 1) Finish: All exterior surfaces are bright polished.
- 2) Angle: 0°
- 3) Total Surface Mount. No clearance hole in the body required.

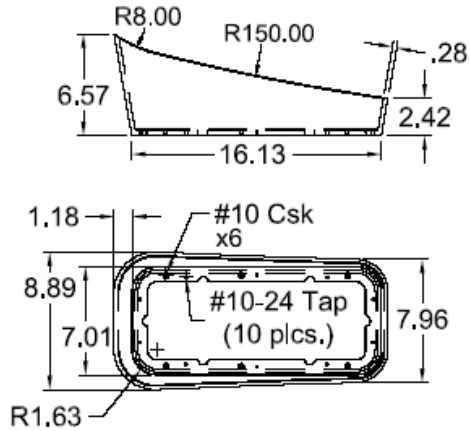
## LH90603



## LH90603 Light Housing Federal Signal GS2F Light

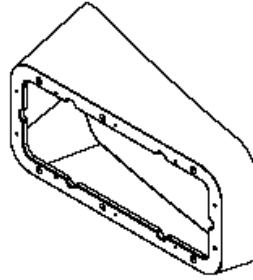
- 1) Finish: All exterior surfaces are bright polished or 120 grit ground.
- 2) Angle: 0°
- 3) Total surface mount. No clearance hole in the body required.

## LH90902

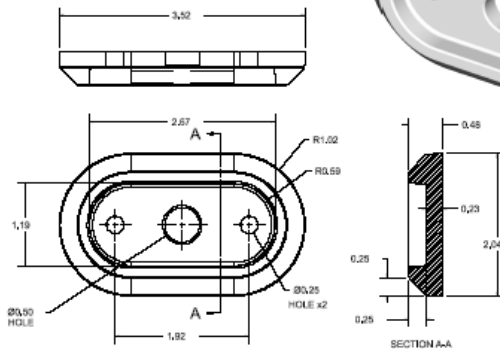


## LH90902 Light Housing KD Lamp Headlight

- 1) Finish: All exterior surfaces are bright polished or 120 grit ground.
- 2) Angle: 0°
- 3) Function: Mounts the light to a 150" radius Cab surface.
- 4) Total Surface Mount. No clearance hole in the body required.



## LH91102

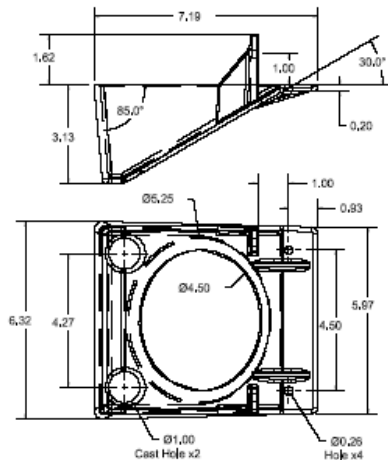


## LH91102 Marker Light Housing - Weldon C9186 LED

- 1) Finish: All exterior surfaces are bright polished.
- 2) Angle: 0°

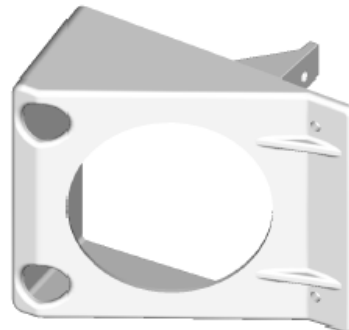


## LH91201



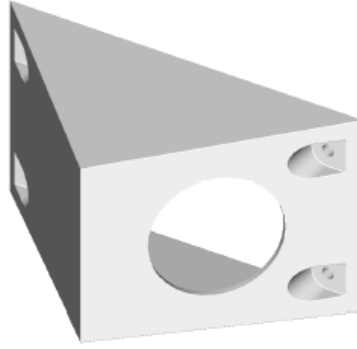
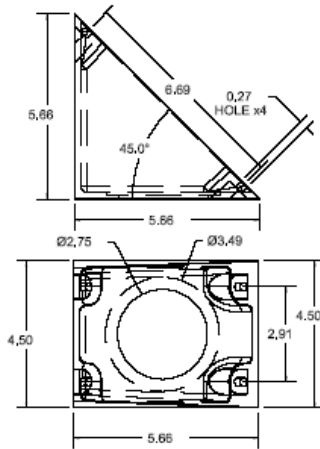
## LH91201 UnderBody Light Housing

- 1) Finish: ball-burnished.
- 2) Angle: 30°





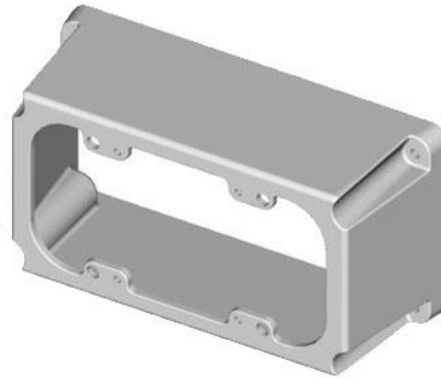
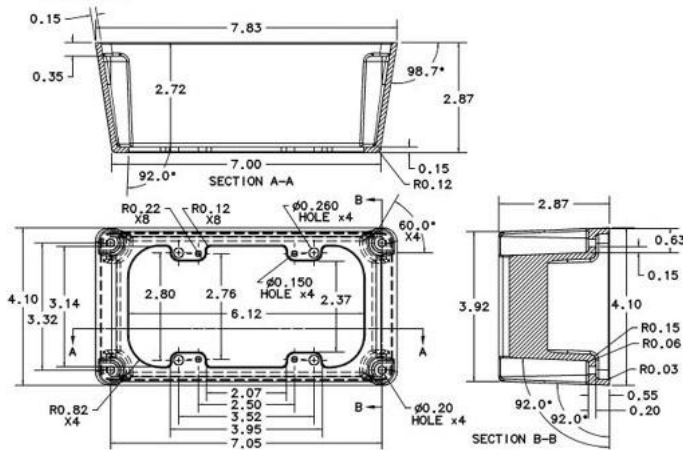
## LH91203



## LH91203 Tank Marker Light Bracket

- 1) Finish: All exterior surfaces are bright polished.
- 2) Angle: 45°

## LH91401

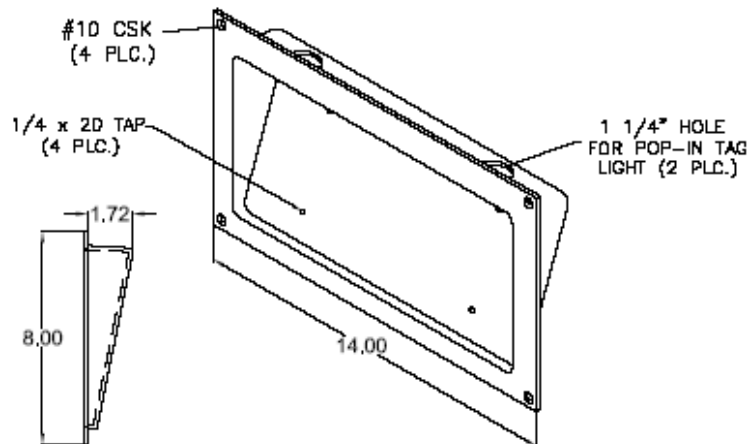


## LH91401 Surface Mount Light Housing

- 1) Finish: Polished exterior.

## License Plate Holders

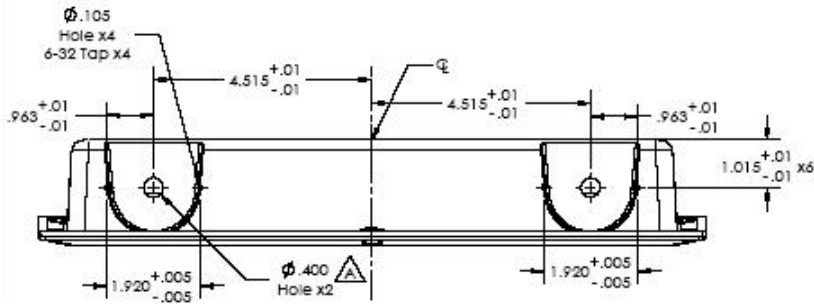
## LP0002



## LP0002 License Plate Holder

- 1) Finish: Flange is bright polished.
- 2) Designed to compliment light housings #C30012 and C30013.

## LP0002-C

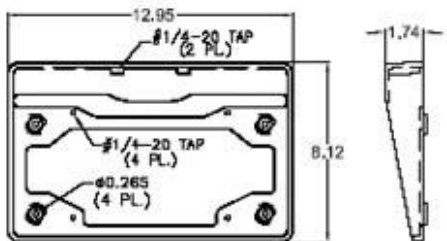


## LP0002-C License Plate Holder w/ LED Lights

- 1) Finish: Chromed
- 2) -C drilling option for using 2 LED lights (WL0501 type)



## LP0004



## LP0004 License Plate Holder

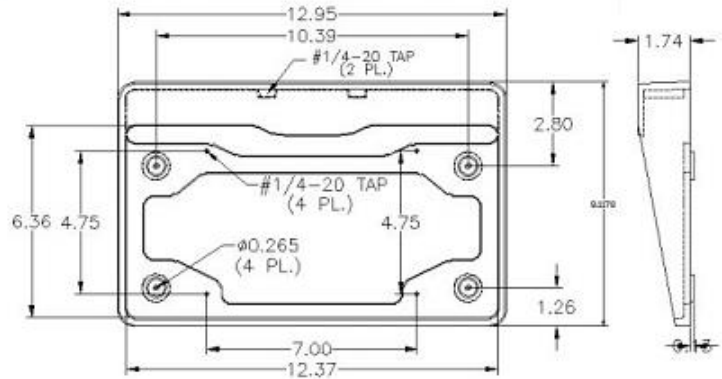
- 1) Finish: Flange is bright polished.
- 2) Uses Truck-Lite Light for illumination (provided).
- 3) Concealed mounting hardware.

## LP0004-B

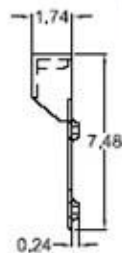
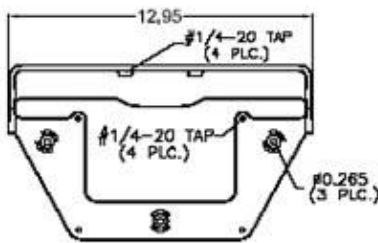


- 1) Finish: Flange is bright polished.
- 2) Supplied w/ LED light (WL0501 type), LC0011 adapter plate for LED, and mounting screws

## LP0004-B License Plate Holder w/ LED Light



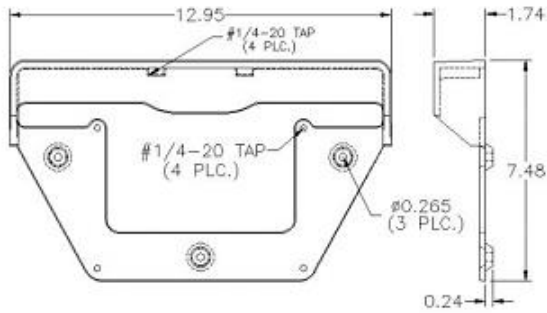
## LP0005



## LP0005 License Plate Holder

- 1) Finish: Flange is bright polished.
- 2) Uses Truck-Lite Light for illumination (provided).
- 3) Concealed mounting hardware.

## LP0005-C

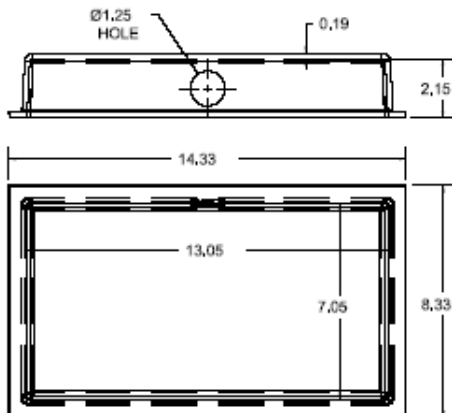


## LP0005-C License Plate Holder w/ LED Light

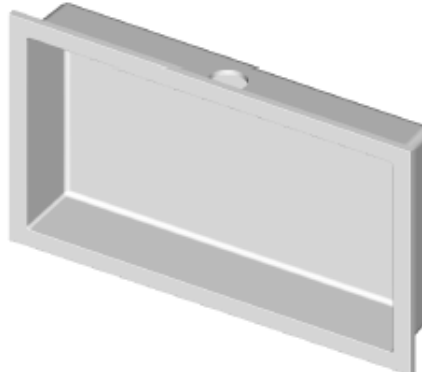


- 1) Finish: Flange is bright polished.
- 2) Supplied w/ LED light (WL0501 type), LC0011 adapter plate for LED, and mounting screws.

## LP0007



## LP0007 License Plate Holder

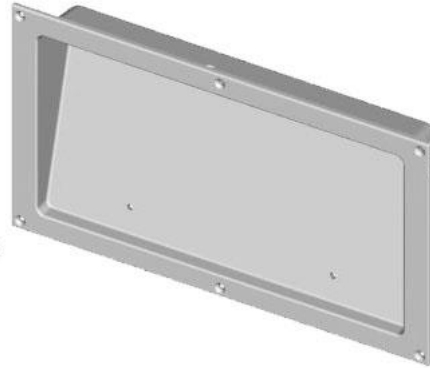
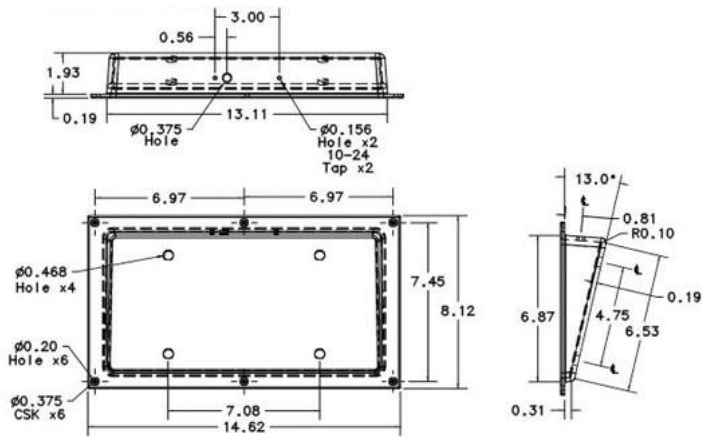


- 1) Finish: ball-burnished.
- 2) Installs by being welded from the backside

## LP0009

### LP0009 License Plate Holder

1) Finish: Polished exterior.



## LP0013

### LP0013-1 License Plate Hood and Frame Assembly, with WL0501 type clear LED Light



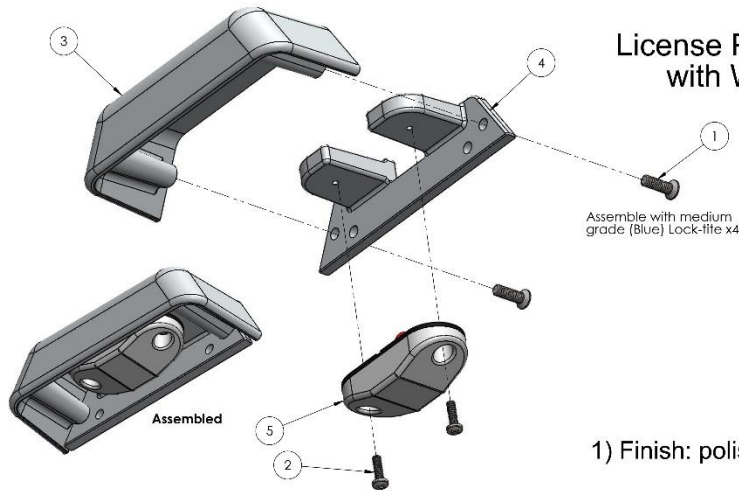
- 1) Finish: Ball-burnished w/ top portion polished or ball-burnished.
- 2) Sent with WL0501 type clear LED Light



LP0014

### LP0014-1

License Plate Hood and Frame Assembly  
with WL0501 type clear LED Light

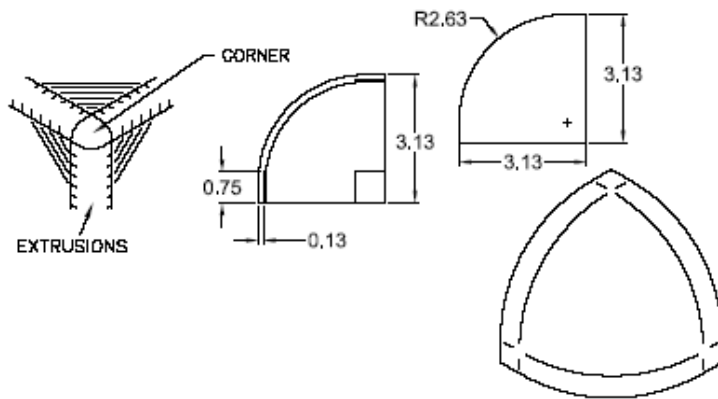


1) Finish: polished exterior

## Modular Corners

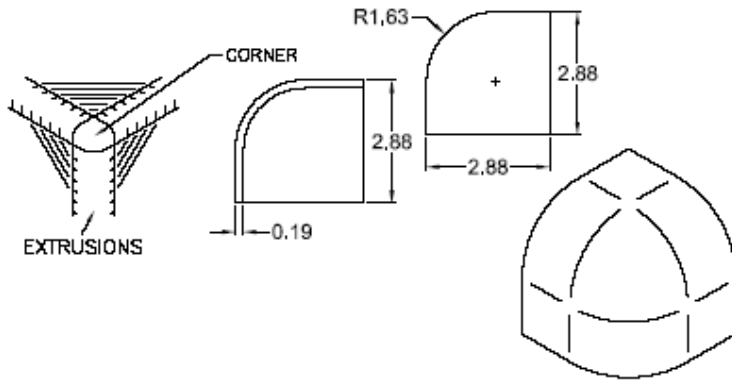
MC0001

### MC0001 Modular Corner (Weld in)



- 1) Finish: Ground and wheel-a-brated.
- 2) Purpose: To eliminate the need for mitering corners of extrusions.

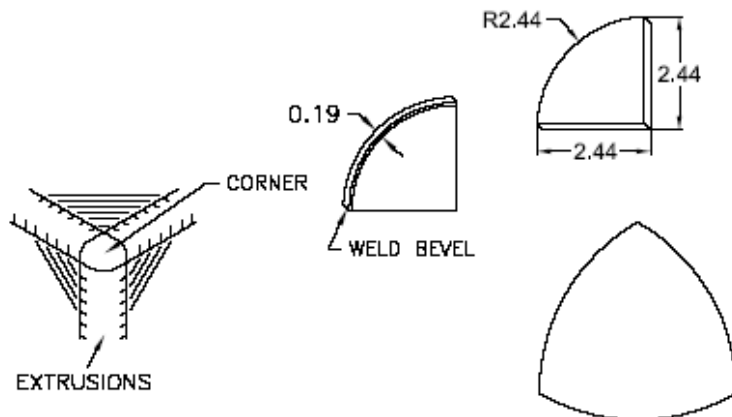
### MC0003



## MC0003 Modular Corner (Weld In)

- 1) Finish: Ground and wheel-a-brated.
- 2) Purpose: To eliminate the need for mitering corners of extrusions.

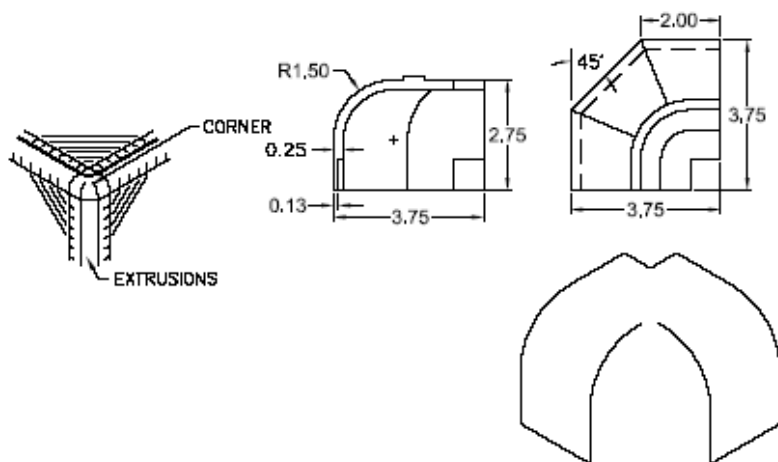
### MC0005



## MC0005 Modular Corner (Weld in)

- 1) Finish: Ground and wheel-a-brated.
- 2) Purpose: To eliminate the need for mitering corners of extrusions.

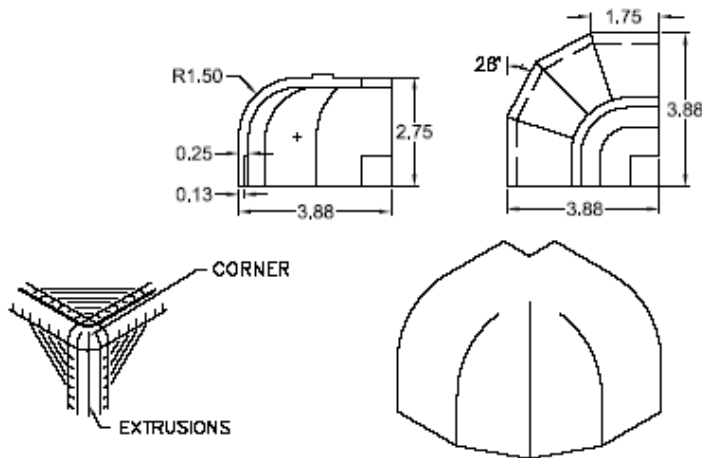
### MC0010



## MC0010 Modular Corner (Weld in)

- 1) Finish: Ground and wheel-a-brated.
- 2) Purpose: To eliminate the need for mitering corners of extrusions.

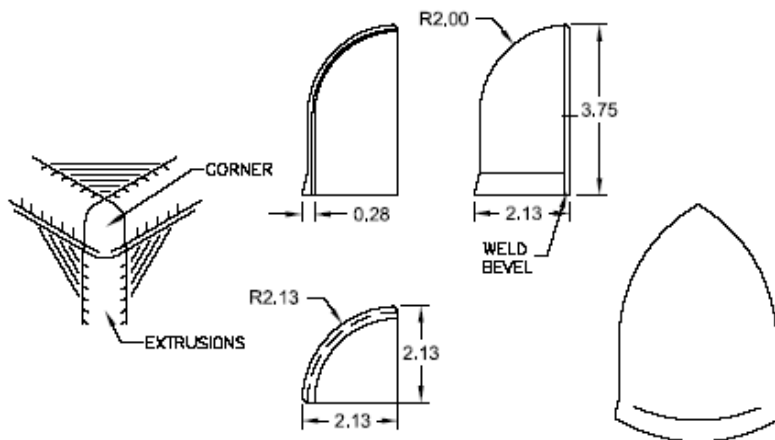
### MC0011



## MC0011 Modular Corner (Weld In)

- 1) Finish: Ground and wheel-a-brated.
- 2) Purpose: To eliminate the need for mitering corners of extrusions.

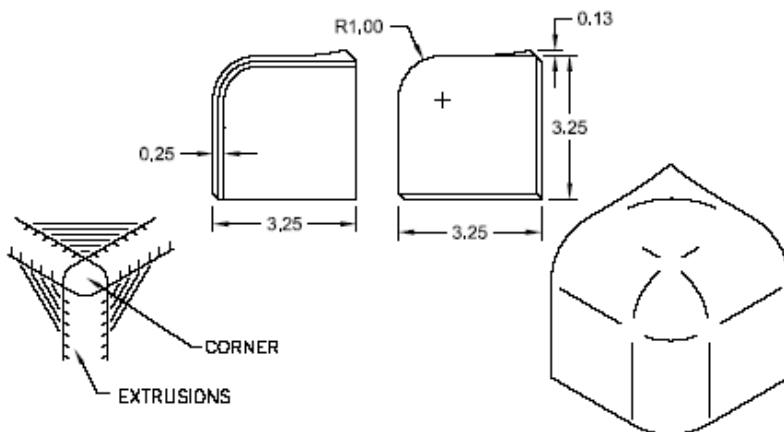
### MC0017



## MC0017 Modular Corner (Weld in)

- 1) Finish: Ground and wheel-a-brated.
- 2) Purpose: To eliminate the need for mitering corners of extrusions.

### MC0021

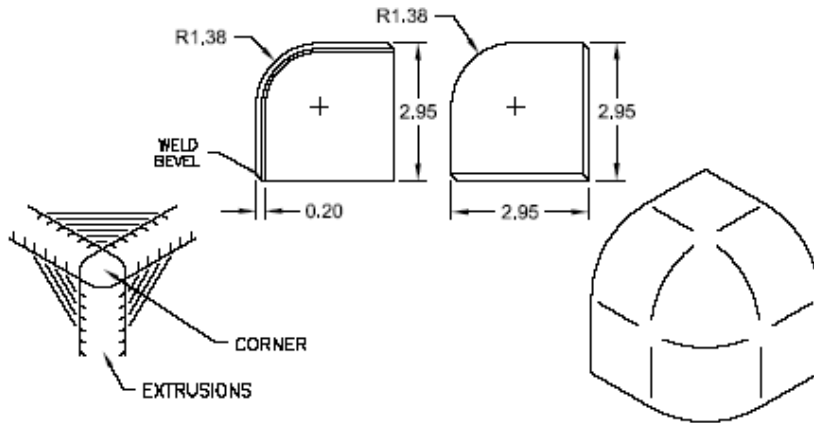


## MC0021 Modular Corner (Weld in)

- 1) Finish: Ground and wheel-a-brated.
- 2) Purpose: To eliminate the need for mitering corners of extrusions.



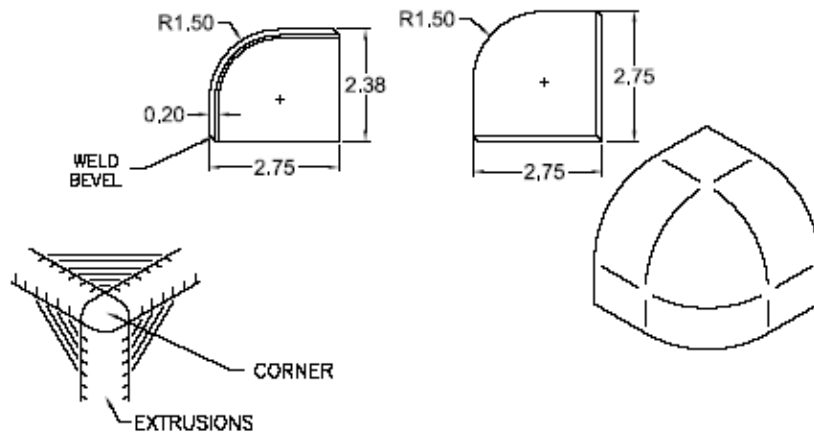
### MC0023



### MC0023 Modular Corner (Weld In)

- 1) Finish: Ground and wheel-a-brated.
- 2) Purpose: To eliminate the need for mitering corners of extrusions.

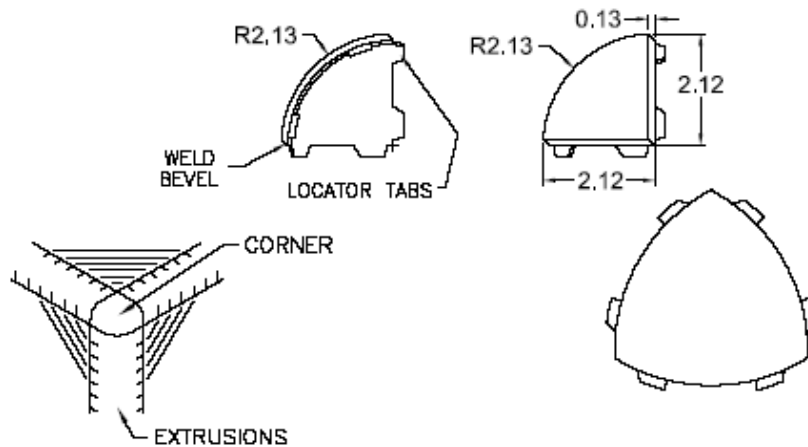
### MC0026



### MC0026 Modular Corner (Weld in)

- 1) Finish: Ground and wheel-a-brated.
- 2) Purpose: to eliminate the need for mitering corners of extrusions.

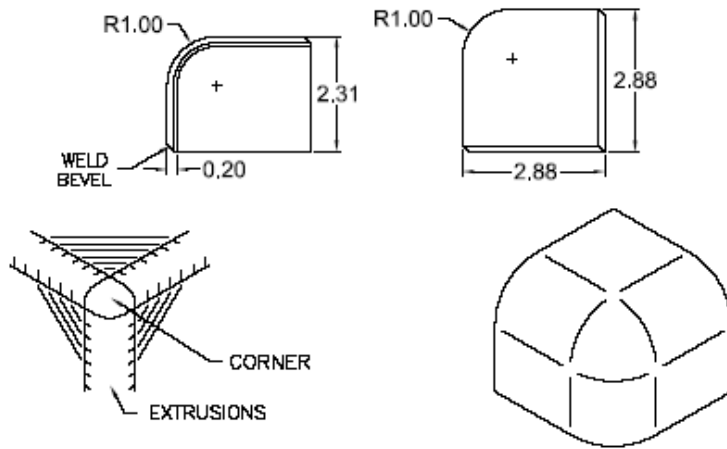
### MC0027



### MC0027 Modular Corner (Weld in)

- 1) Finish: Ground and wheel-a-brated.
- 2) Purpose: to eliminate the need for mitering corners of extrusions.

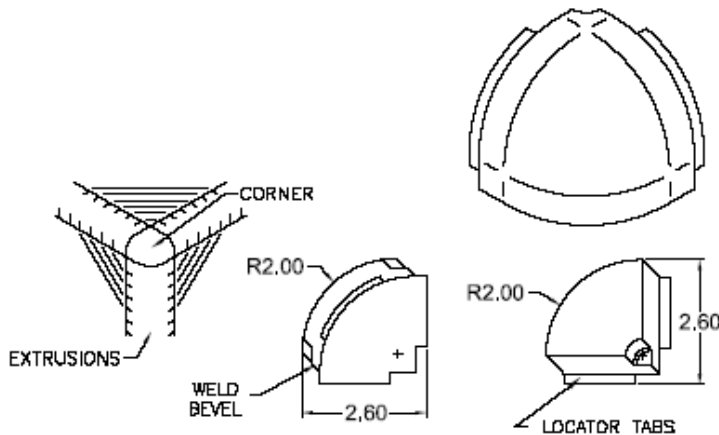
### MC0028



## MC0028 Modular Corner (Weld In)

- 1) Finish: Ground and wheel-a-brated.
- 2) Purpose: to eliminate the need for mitering corners of extrusions.

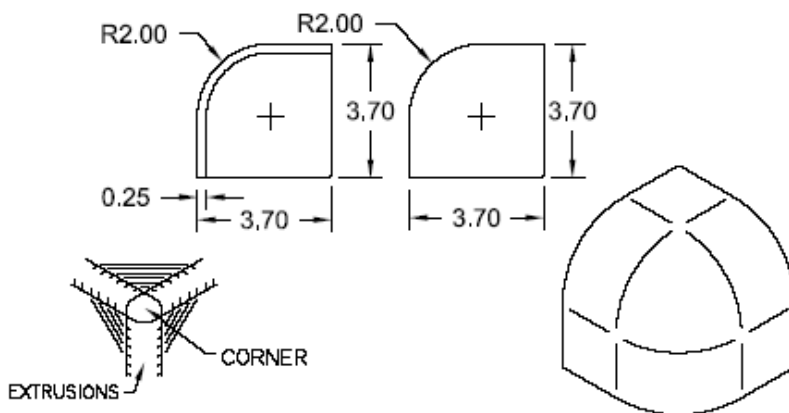
### MC0033



## MC0033 Modular Corner (Weld in)

- 1) Finish: Ground and wheel-a-brated.
- 2) Purpose: to eliminate the need for mitering corners of extrusions.

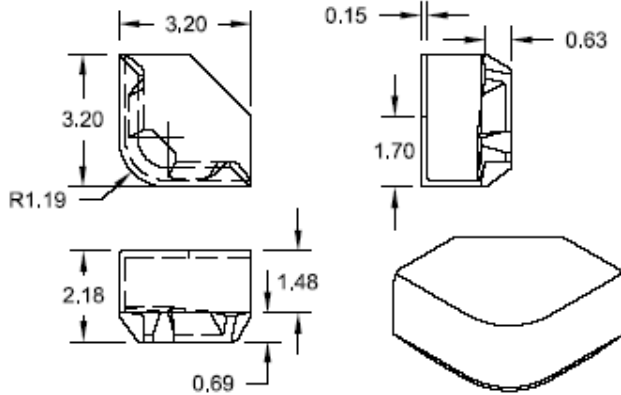
### MC0037



## MC0037 Modular Corner (Weld in)

- 1) Finish: Ground and wheel-a-brated.
- 2) Purpose: to eliminate the need for mitering corners of extrusions.

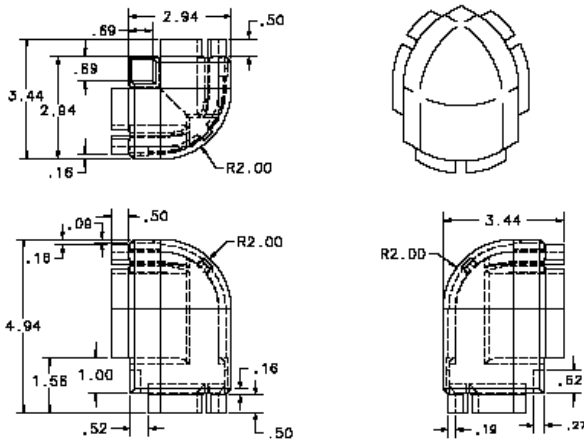
## MC0052



## MC0052 Horizontal Corner

1) Finish: Polished.

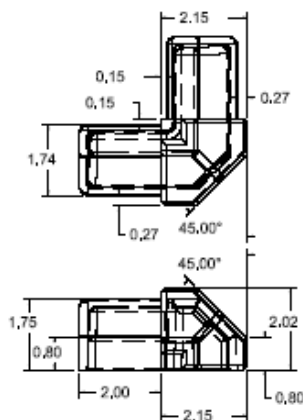
## MC0061



## MC0061 Modular Corner (Weld in)

1) Finish: Ground and wheel-a-brated.  
2) Purpose: to eliminate the need for mitering the corners of extrusions.

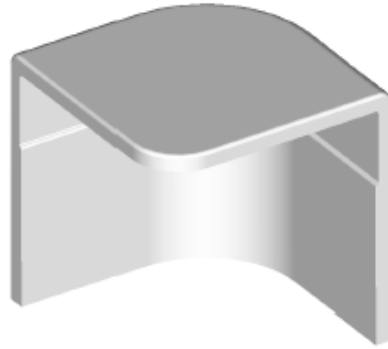
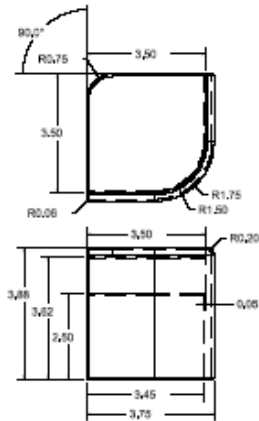
## MC0063



## MC0063 Modular Corner

1) Finish: Ground and wheel-a-brated.  
2) Purpose: to eliminate the need for mitering the corners of extrusions.

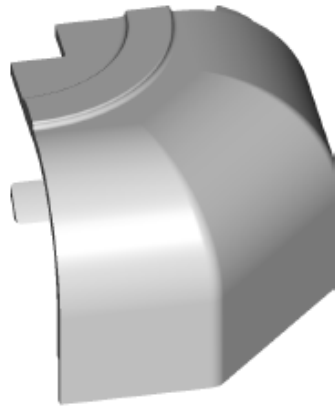
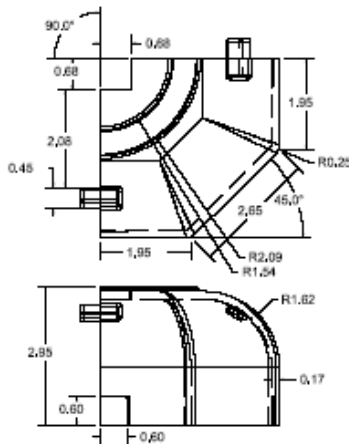
## MC0071



## MC0071 Modular Corner

- 1) Finish: wheel-a-brated.
- 2) Purpose: to eliminate the need for mitering the corners of extrusions.

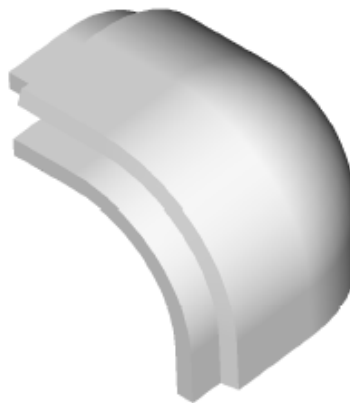
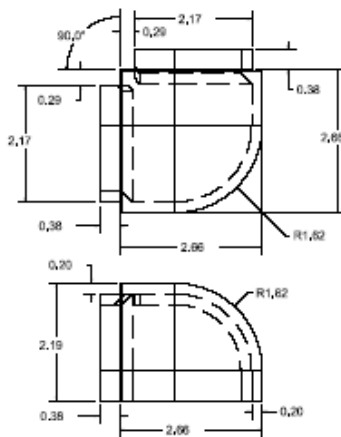
## MC0075



## MC0075 Corner Cover (Weld in)

- 1) Finish: Ground and wheel-a-brated.
- 2) Purpose: to eliminate the need for mitering the corners of extrusions.

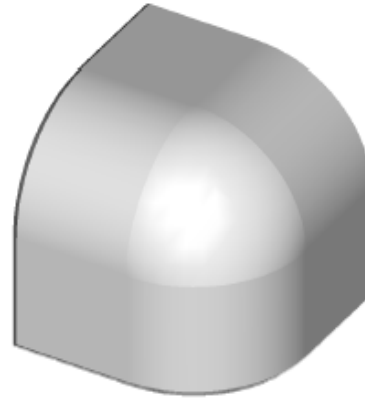
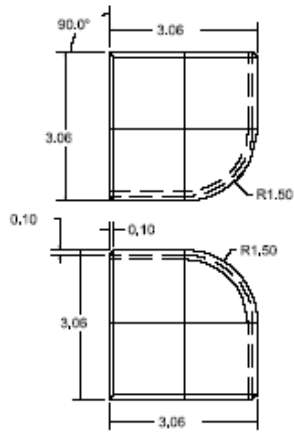
## MC0076



## MC0076 Corner Cover (Weld in)

- 1) Finish: Ground and wheel-a-brated.
- 2) Purpose: to eliminate the need for mitering the corners of extrusions.

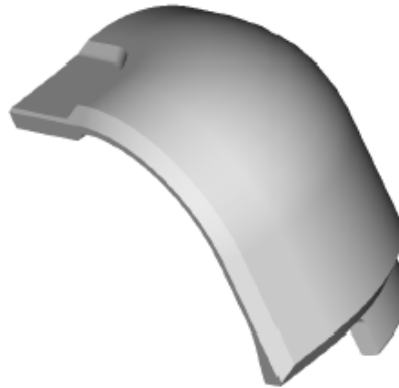
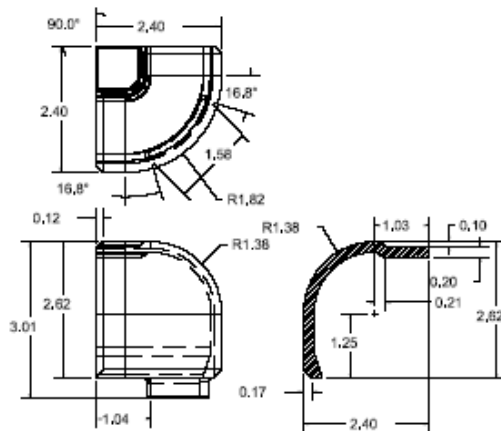
### MC0077



### MC0077 Corner Cover (Weld in)

- 1) Finish: Ground and wheel-a-brated.
- 2) Purpose: to eliminate the need for mitering the corners of extrusions.

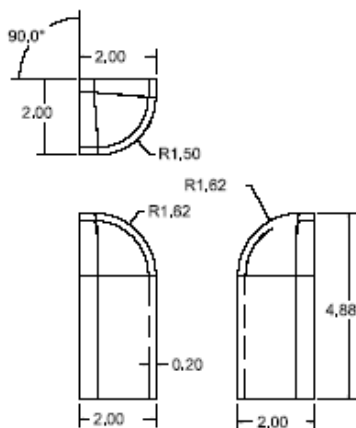
### MC0079



### MC0079 Corner Cover (Weld in)

- 1) Finish: VFM.
- 2) Purpose: to eliminate the need for mitering the corners of extrusions.

### MC0080



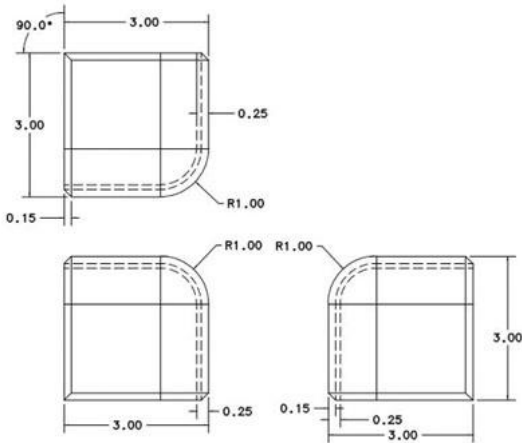
### MC0080 Corner Cover (Weld in)

- 1) Finish: Wheel-a-brated.
- 2) Purpose: to eliminate the need for mitering the corners of extrusions.

### MC0083

### MC0083 90d. Modular Corner Cap

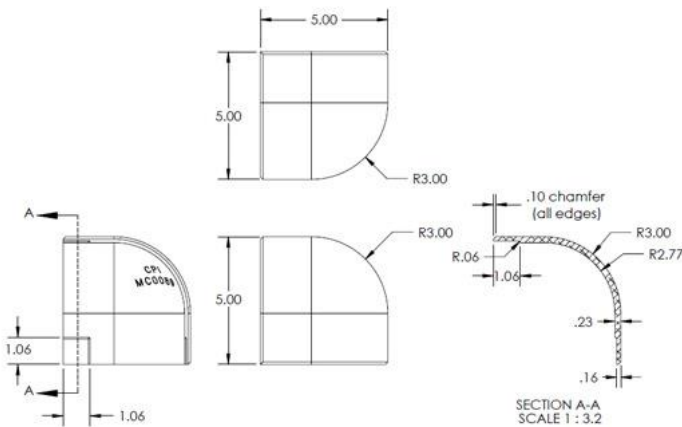
1) Finish: wheel-a-brated.



### MC0089

### MC0089 90d., R3.0 Corner Casting

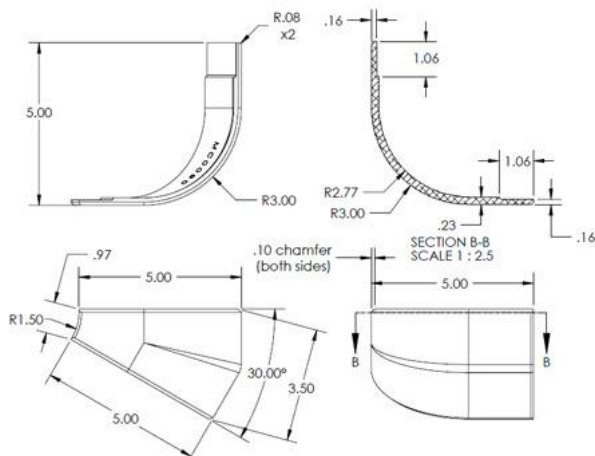
1) Finish: wheel-a-brated or  
ball-burnished.



### MC0090

### MC0090 30d., R3.0 Corner Casting

1) Finish: wheel-a-brated or  
ball-burnished.

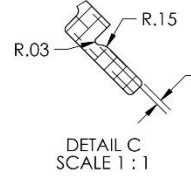
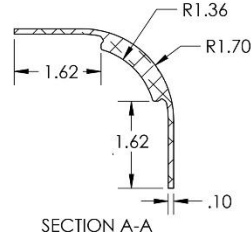
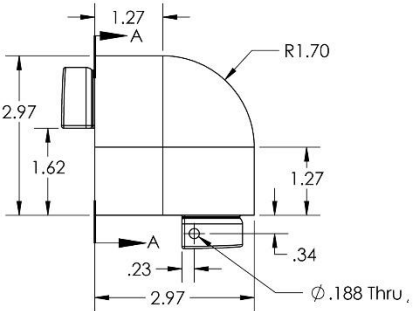
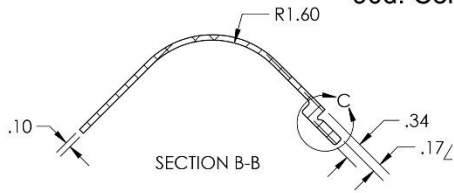
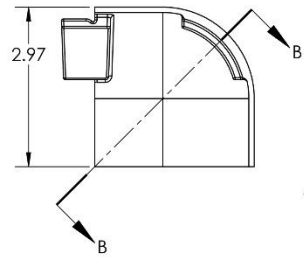




# MC0096

# MC0096

90d. Corner Cap Casting w/ tabs x2



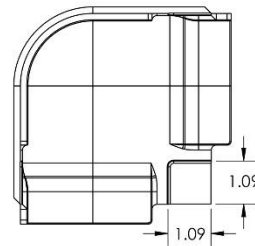
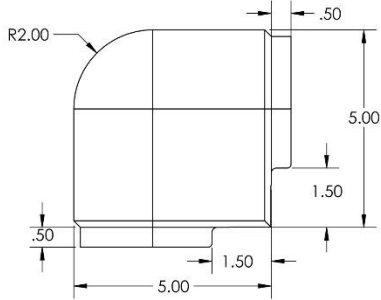
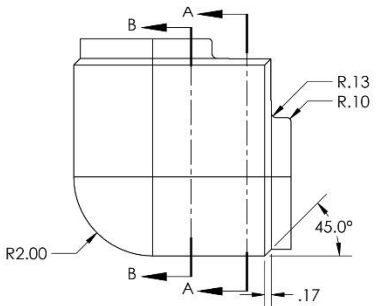
1) Finish: vfm

# MC0097

# MC0097

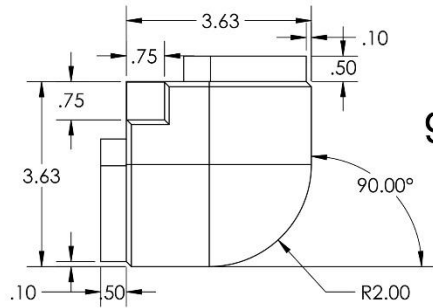
90d. Corner Cap Casting

1) Finish: wheel-a-brated.





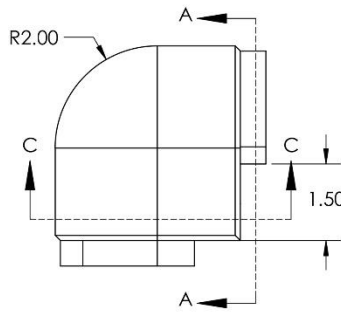
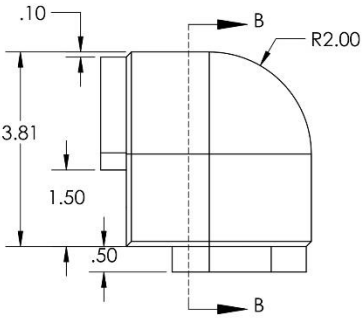
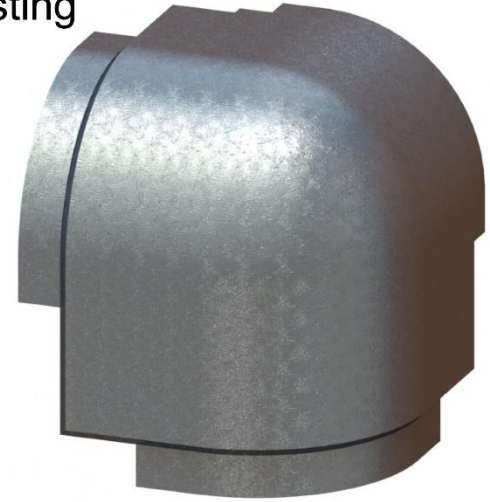
**MC0098**



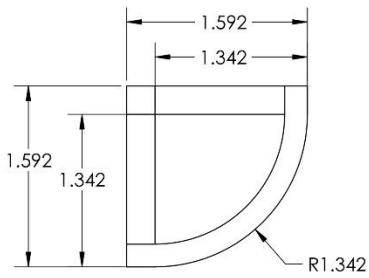
**MC0098**

**90d. Corner Cap Casting**

1) Finish: ball-burnished.



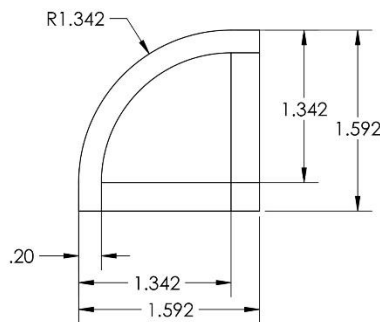
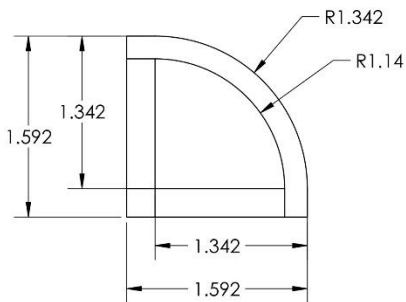
**MC0099**



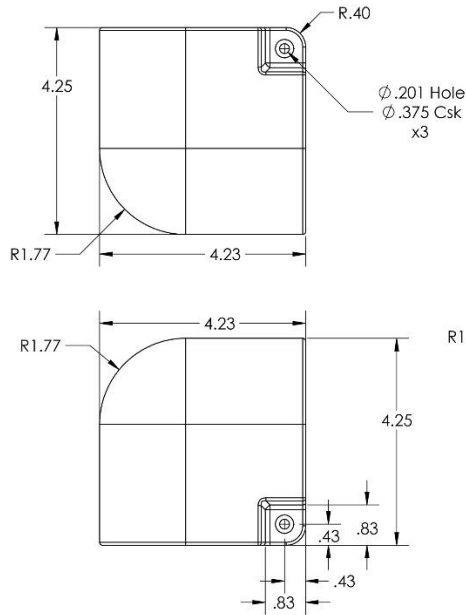
**MC0099**

**90d. Corner Cap Casting**

1) Finish: ball-burnished.



# MC0101



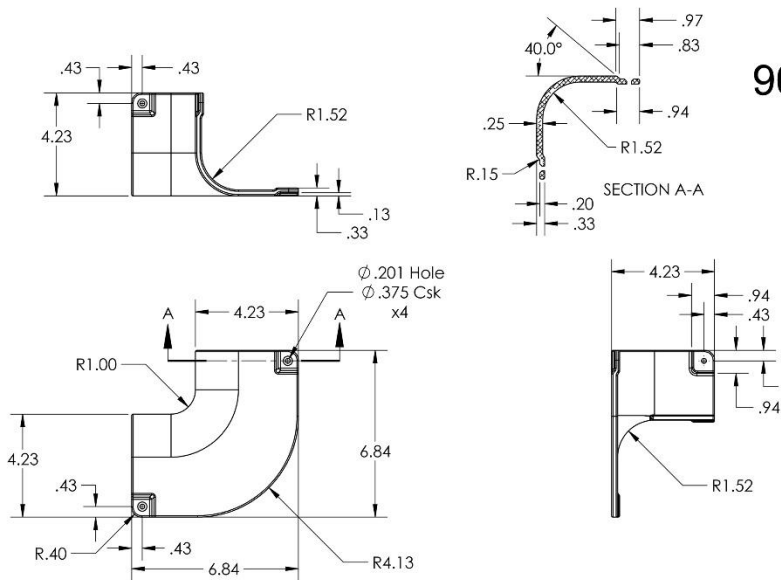
# MC0101

## 90d. Corner Cap Casting

1) Finish: polished.



# MC0102



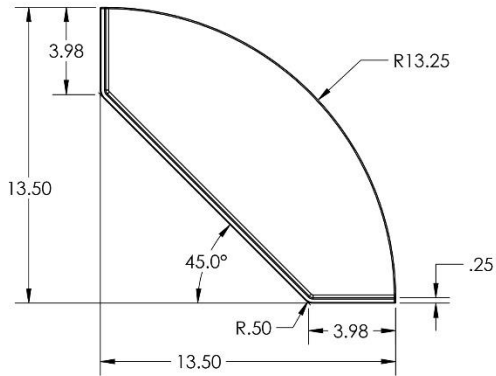
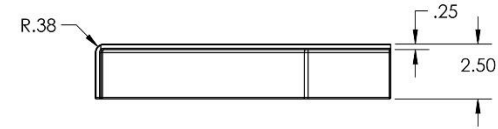
# MC0102

## 90d. Inside Corner Cap Casting

1) Finish: polished.

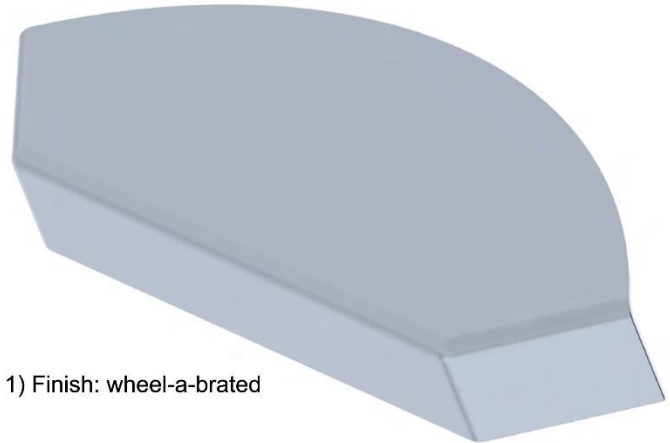


# MC0103



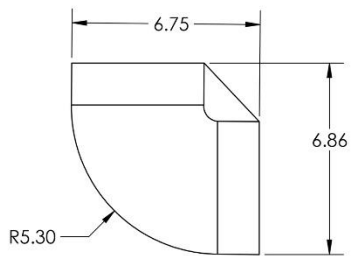
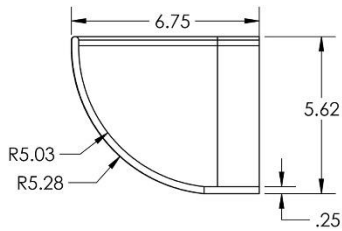
# MC0103

## 90d. Shelving Corner Casting



1) Finish: wheel-a-brated

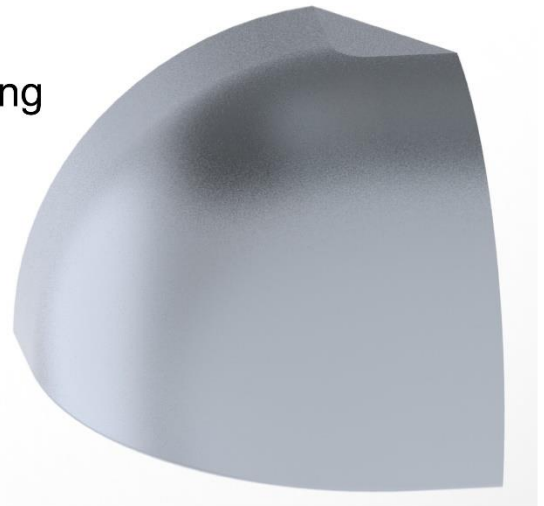
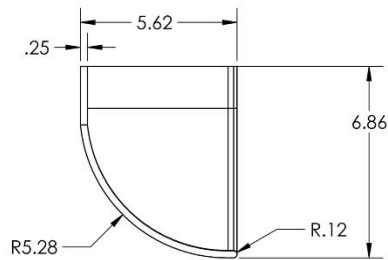
# MC0104



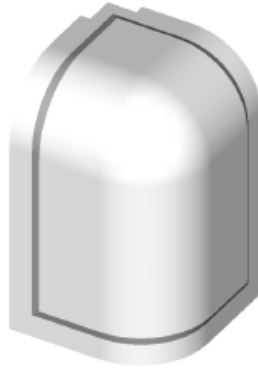
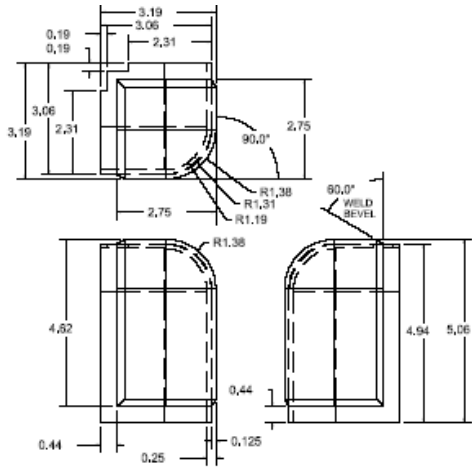
# MC0104

## 90d. Corner Cap Casting

1) Finish: ball-burnished



## MC51145

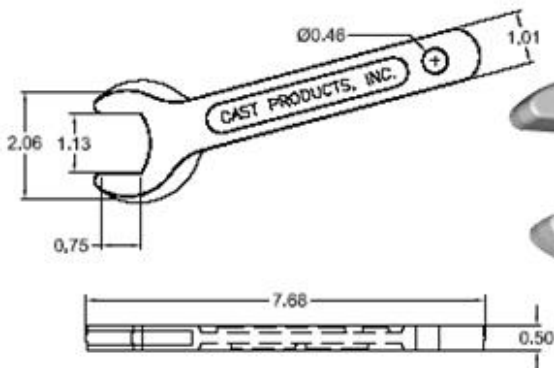


## MC51145 Modular Corner (Weld in)

- 1) Finish: Ground and wheel-a-brated.
- 2) Purpose: to eliminate the need for mitering the corners of extrusions.

## Oxygen Cylinder Accessories

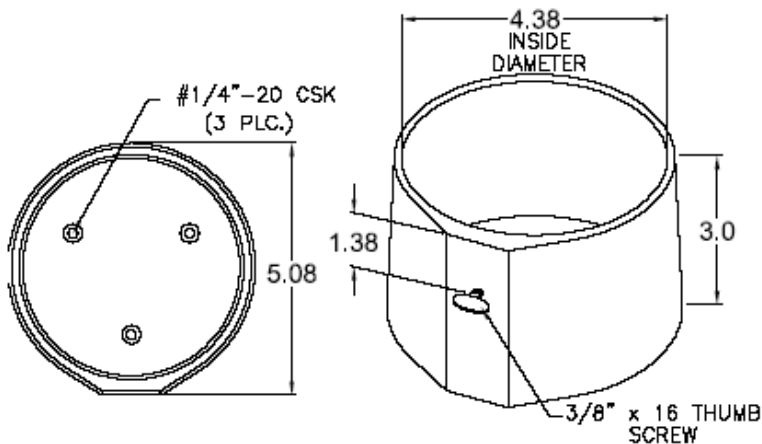
### OA0002



## OA0002 Oxygen Cylinder Wrench

- 1) Finish: Wheel-a-brated

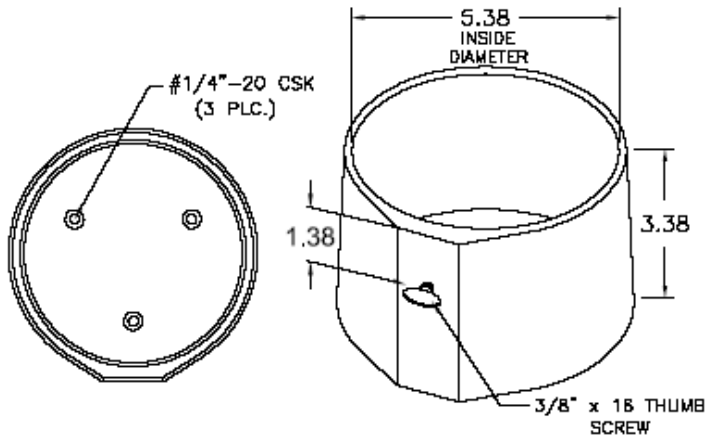
### OA0003



## OA0003 Single Oxygen Cylinder Cup for "D" & "E" sizes

- 1) Finish: Inside is bead-blasted. Outside is polished.

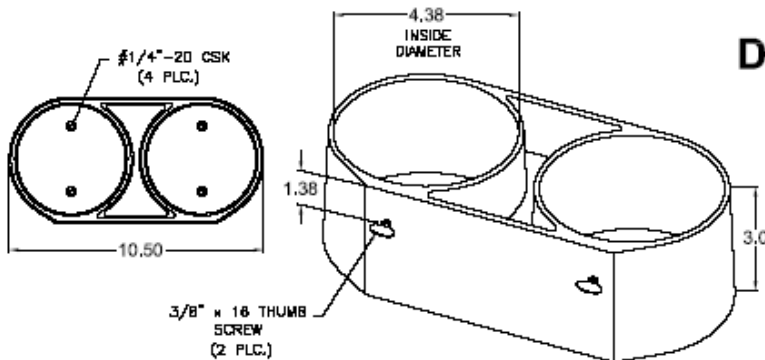
**OA0004**



## **OA0004** Single Oxygen Cylinder Cup for "Jumbo" sizes

1) Finish: Inside is bead-blasted.  
Outside is polished.

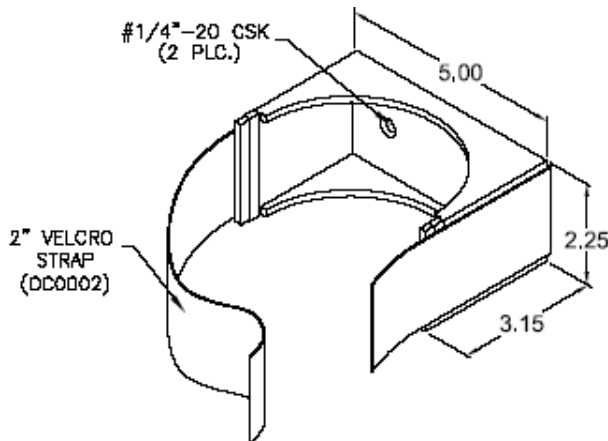
**OA0005**



## **OA0005** Double Oxygen Cylinder Cup for "D" & "E" sizes

1) Finish: Inside is bead-blasted.  
Outside is polished.

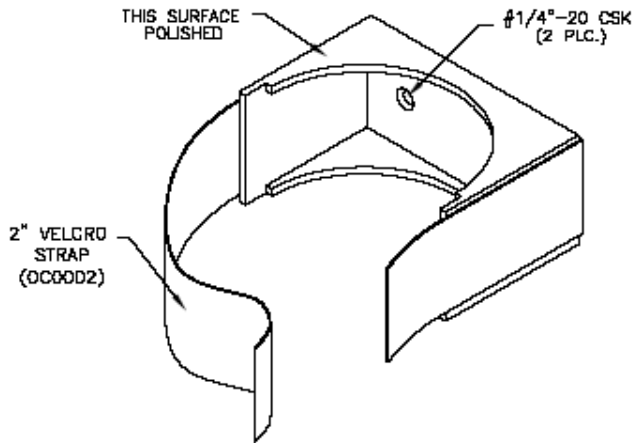
**OA0006**



## **OA0006** Single Oxygen Cylinder Clamp for "D" & "E" sizes

1) Finish: Inside is bead-blasted.  
Outside is polished.  
2) Use the clamp with part  
#OA0003. Important: Cup to wall  
distance is determined by this  
clamp.

## OA0007

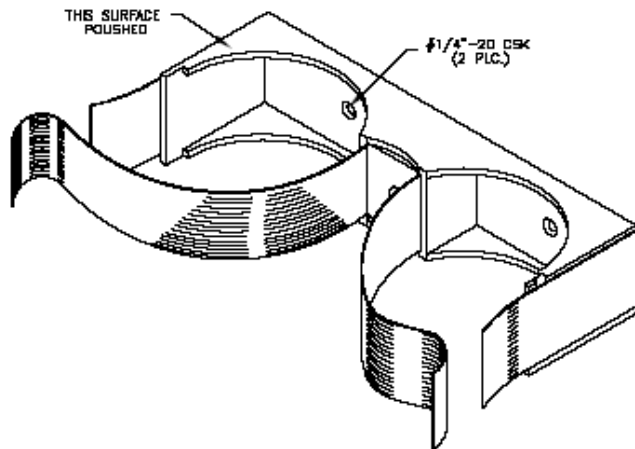


## OA0007

### Single Oxygen Cylinder Clamp for "Jumbo" sizes

- 1) Finish: Inside is bead-blasted. Outside is polished.
- 2) Use the clamp with part #OA0004. Important: Cup to wall distance is determined by this clamp.

## OA0008

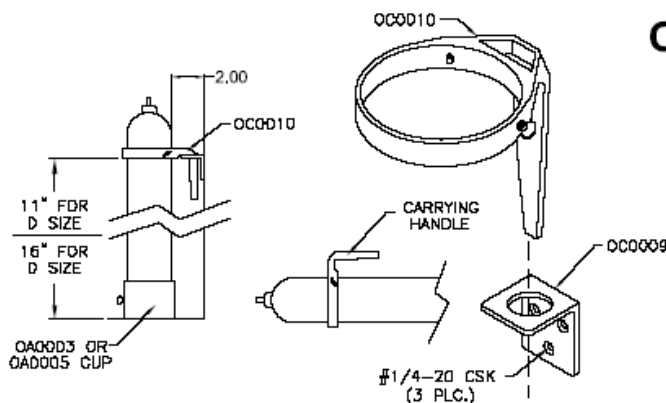


## OA0008

### Double Oxygen Cylinder Clamp for "D" & "E" sizes

- 1) Finish: Inside is bead-blasted. Outside is polished.
- 2) Use the clamp with part #OA0005. Important: Cup to wall distance is determined by this clamp.

## OA0009

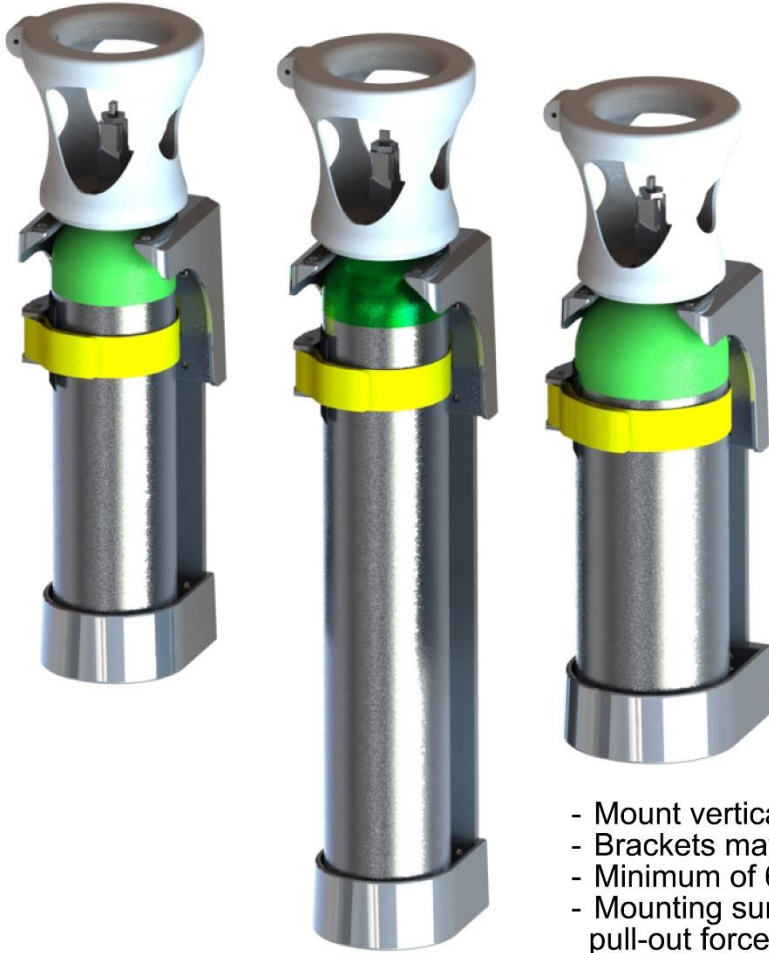


## OA0009

### Oxygen Cylinder Holder for "D & E" sizes

- 1) Finish: Polished.
- 2) Special Feature: Built-in carry handle.
- 3) Mounting screws furnished.

# Duramount Oxygen Bottle Holders



## OA1101-D-1

D 4.30" Cylinder: Oxygen Bottle Retention System / Assembly

## OA1103-E-1

E 4.30" Cylinder: Oxygen Bottle Retention System / Assembly

## OA1102-JD-1

JD 5.30" Cylinder: Oxygen Bottle Retention System / Assembly

## OA1107-JD-1

JD 5.30" + .125" Cylinder: Oxygen Bottle Retention System / Assembly

- Mount vertically or horizontally
- Brackets may be mounted side by side
- Minimum of 6 mounting points using 1/4" SS hardware
- Mounting surface must be able to withstand the pull-out force greater than the strength of the mounting hardware

Designed to accommodate steel and aluminum oxygen cylinders including "D", "E", and "Jumbo D" sizes, our all Duramount Oxygen Bottle Holders are specifically designed to meet stringent safety standards, provide secure attachment, and maintain unmatched quality throughout the life of its use. Our Duramounts products are constructed of durable cast aluminum and accommodates almost all oxygen regulator controls. Our brackets have been tested to meet KKK-1822-F and SAE J3043 requirements, and can be mounted both vertically and horizontally. Cylinders not included.

# Duramount Fire Extinguisher Holders



**OA1104-5LB-FIRE-1**  
 DURAMOUNT "5 LB" Fire  
 Extinguisher Retention System /  
 Assembly (4.30" Cylinder)

**OA1105-10LB-FIRE-1**  
 DURAMOUNT "10 LB" Fire  
 Extinguisher Retention System /  
 Assembly (5.10" Cylinder)

- Mount vertically or horizontally
- Brackets may be mounted side by side
- Minimum of 6 mounting points using ¼" SS hardware
- Mounting surface must be able to withstand the pull-out force greater than the strength of the mounting hardware

Designed to accommodate steel and aluminum oxygen cylinders including "D", "E", and "Jumbo D" sizes, our all Duramount Holders are specifically designed to meet stringent safety standards, provide secure attachment, and maintain unmatched quality throughout the life of its use. Our Duramounts products are constructed of durable cast aluminum and accommodates almost all regulator controls. Our brackets have been tested to meet KKK-1822-F and SAE J3043 requirements, and can be mounted both vertically and horizontally. Cylinders not included.



# Auto Duramount Oxygen Bottle Holders



## OA1201-D-1

Strapless DURAMOUNT "D"  
4.30" Cylinder: Oxygen Bottle  
Retention System

## OA1202-E-1

Strapless DURAMOUNT "E"  
4.30" Cylinder: Oxygen Bottle  
Retention System

## OA1203-JD-1

Strapless DURAMOUNT "JD"  
Jumbo 5.30" Cylinder: Oxygen  
Bottle Retention System

- Mount vertically or horizontally
- Brackets may be mounted side by side
- Minimum of 6 mounting points using 1/4" SS hardware
- Mounting surface must be able to withstand the pull-out force greater than the strength of the mounting hardware

Designed to accommodate steel and aluminum oxygen cylinders including "D", "E", and "Jumbo D" sizes, our all new Auto-Release Duramount Oxygen Bottle Holders are specifically designed to meet stringent safety standards, provide secure attachment, and maintain unmatched quality throughout the life of its use. Our Duramounts products are constructed of durable cast aluminum and accommodates almost all oxygen regulator controls. Our brackets have been tested to meet KKK-1822-F and SAE J3043 requirements, and can be mounted both vertically and horizontally. Cylinders not included.



# Auto Duramount Dual Oxygen Bottle Holder



OA1205-DUAL-D-1  
Dual Strapless DURAMOUNT  
"D" 4.30" Cylinder: Oxygen Bottle  
Retention System / Assembly

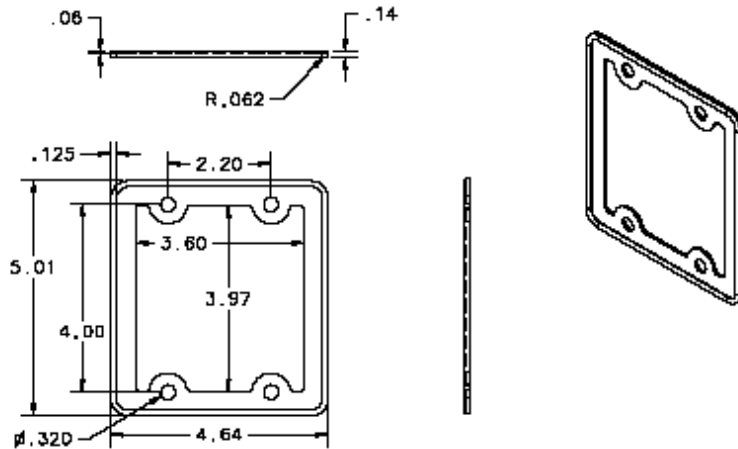


- Mount vertically or horizontally
- Mounts into an 11" wide space.
- Minimum of 6 mounting points using 1/4" SS hardware
- Mounting surface must be able to withstand the pull-out force greater than the strength of the mounting hardware

Designed to accommodate steel and aluminum "D" oxygen cylinder, our all new Auto-Release "Dual" Duramount Oxygen Bottle Holders are specifically designed to meet stringent safety standards, provide secure attachment, and maintain unmatched quality throughout the life of its use. Our Duramounts products are constructed of durable cast aluminum and accommodates almost all oxygen regulator controls. Our brackets have been tested to meet KKK-1822-F and SAE J3043 requirements, and can be mounted both vertically and horizontally. Cylinders not included.

# Rubber Gaskets

## RG0005

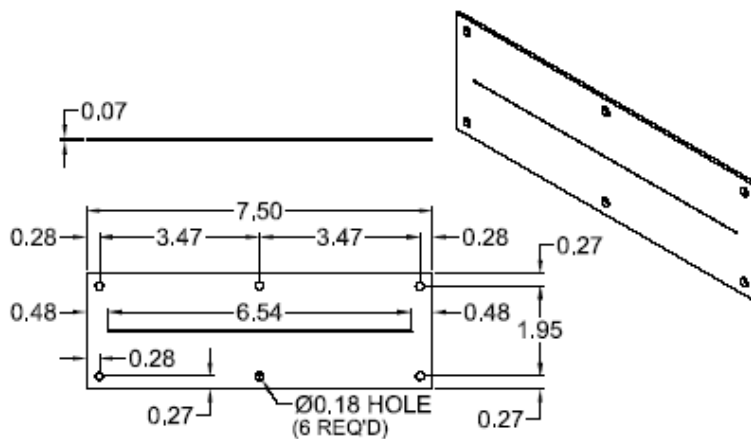


## RG0005

### Rubber Gasket

1) For use with SP4401 - Folding Step.

## RG0007

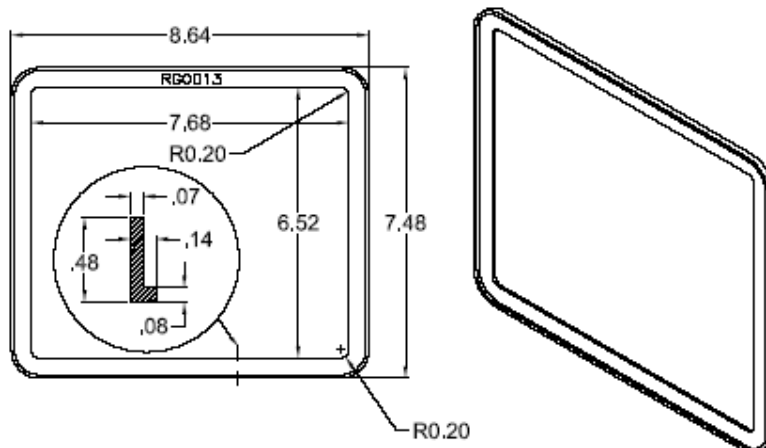


## RG0007

### Rubber Gasket

1) "Silt" Neoprene Gasket for use with FR0004.

## RG0013

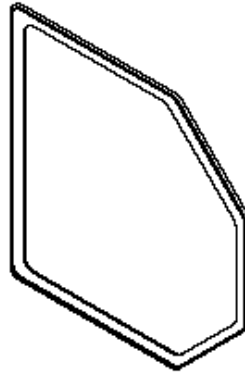
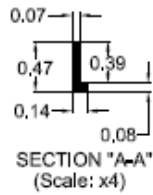
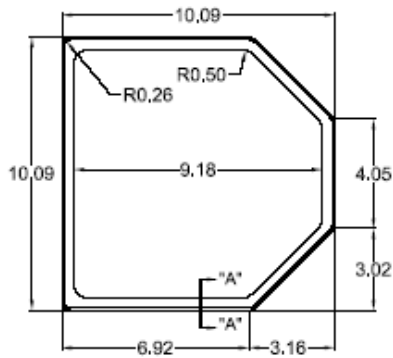


## RG0013

### Rubber Gasket

1) For use with part #'s AD0001, FG4101, FG4102, and FG4103.

## RG0014

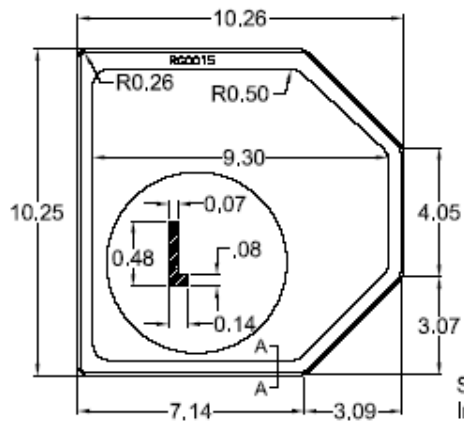


## RG0014

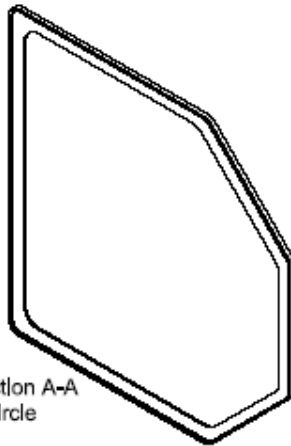
### Rubber Gasket

1) Finish: For use with the AD0006 Access Door.

## RG0015



Section A-A  
In circle

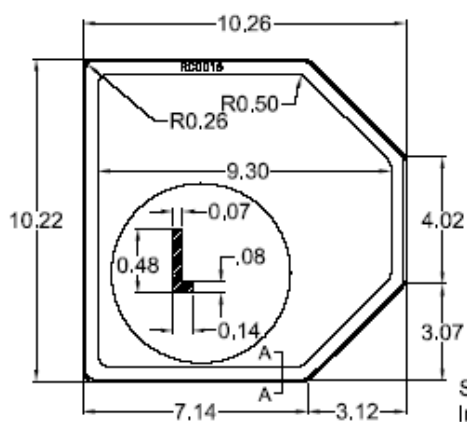


## RG0015

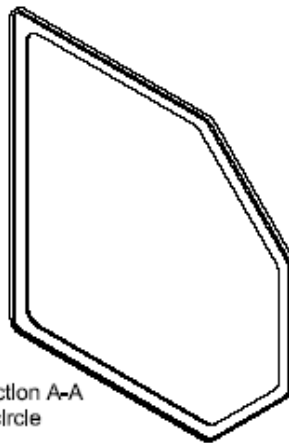
### Rubber Gasket

1) Finish: For use with the AD0005 Access Door.

## RG0016



Section A-A  
In circle

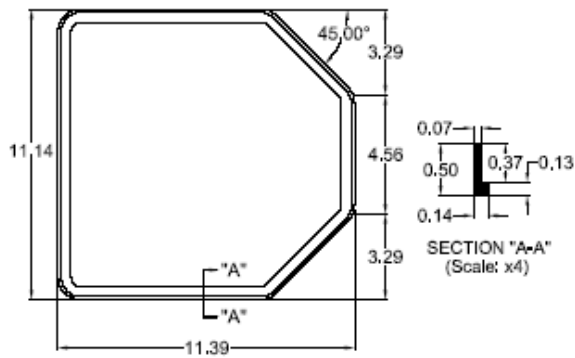


## RG0016

### Rubber Gasket

1) Finish: For use with the AD00010, AD0011, AD0012 Access Doors.

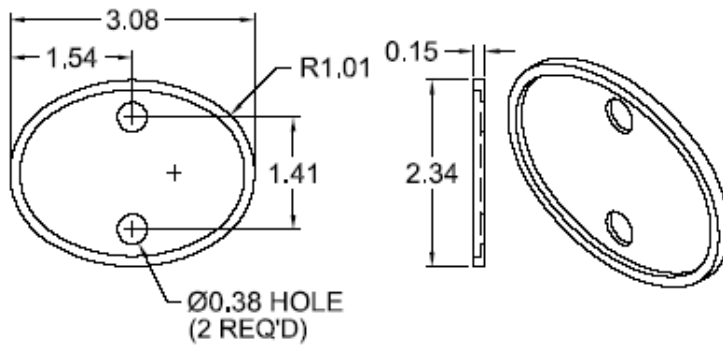
## RG0017



## RG0017 Rubber Gasket

1) Finish: For use with the AD00013, AD0016 Access Doors.

## RG0020

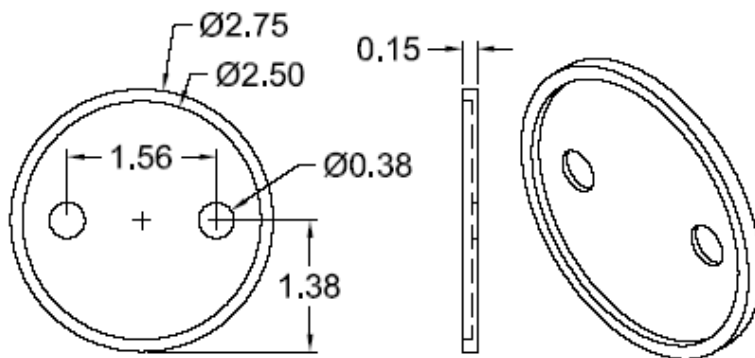


## RG0020

### Rubber Gasket

1) Finish: For use in the Door "Grabber" bases.

## RG0021

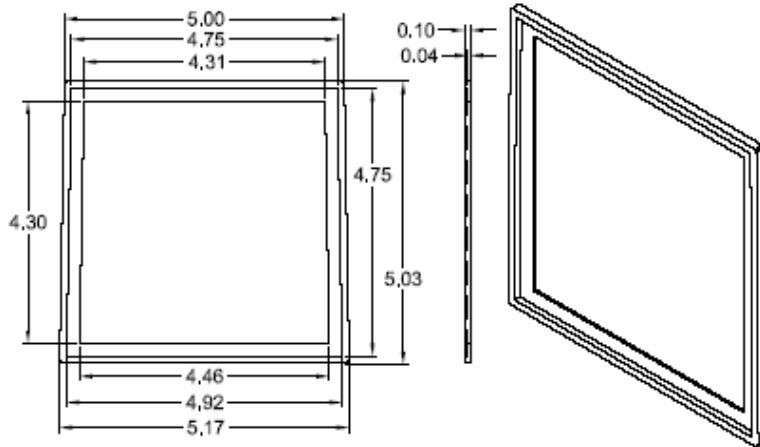


## RG0021

### Rubber Gasket

1) Finish: For use with the DHC0013 "Grabber" Door Socket.

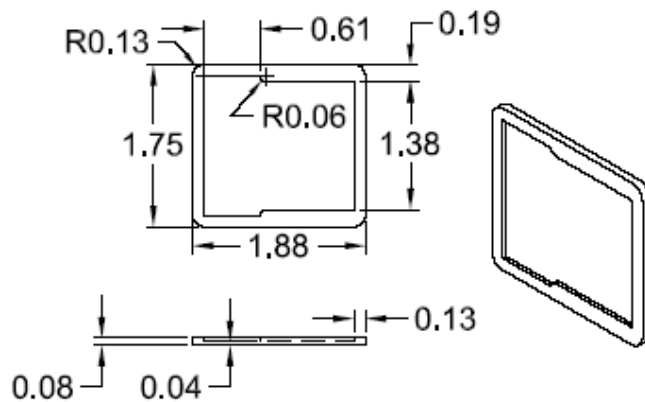
### RG0025



## RG0025 Rubber Gasket

1) For use with LB0025 Light Bar Bracket

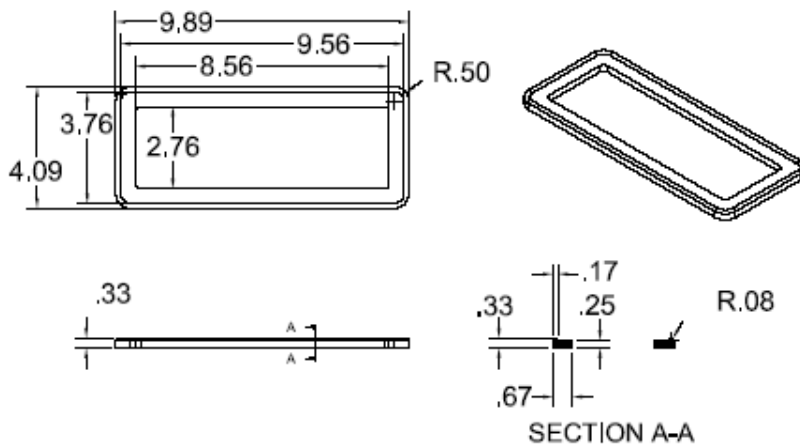
### RG0026



## RG0026 Rubber Gasket

1) For use with FA0012 Hose Roller "T" Block.  
2) Solid Rubber Back.

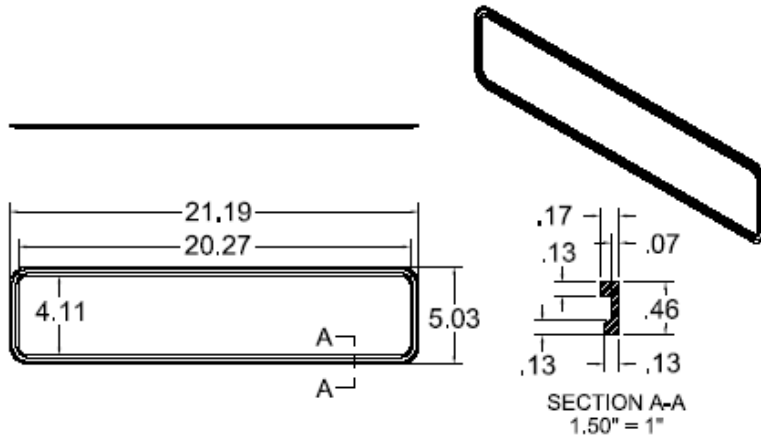
### RG0030



## RG0030 Rubber Gasket

1) For use with LH46502 Flat Bumper Mount - 4" x 6" Light Housing.

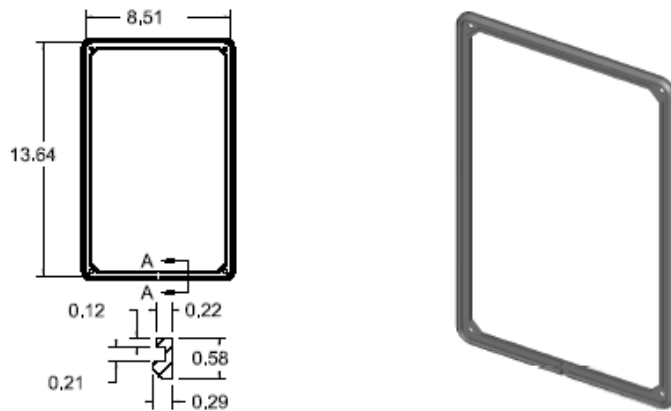
**RG0033**



## **RG0033 Rubber Gasket**

1) For use with the  
LH46118 Triple Light  
Trim.

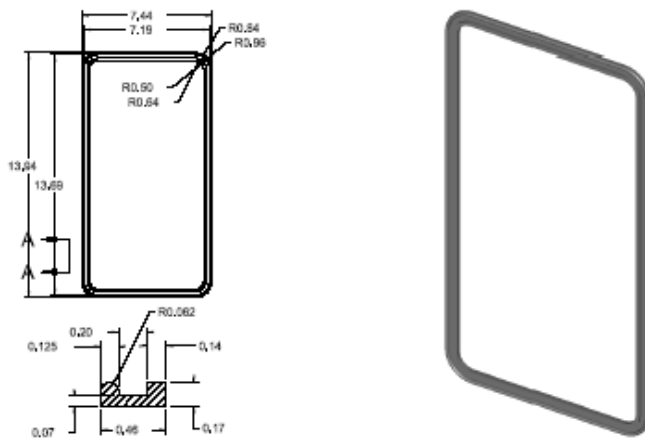
**RG0034**



## **RG0034 Rubber Gasket**

1) For use with the  
LH37107 Quad Lt.  
Housing (Weldon 3700  
Series)

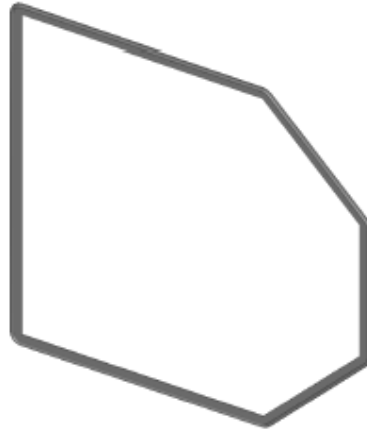
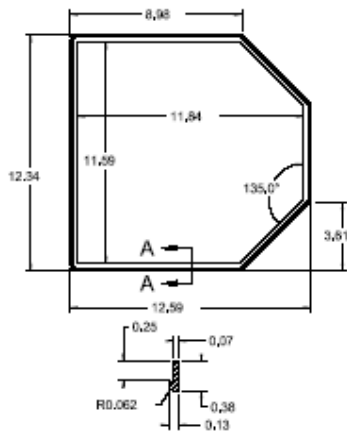
**RG0035**



## **RG0035 Rubber Gasket**

1) For use with the  
LH46117 Triple Lt.  
Housing (Whelen 64  
Lin. Strobe)

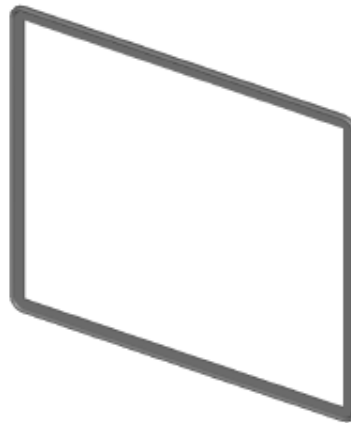
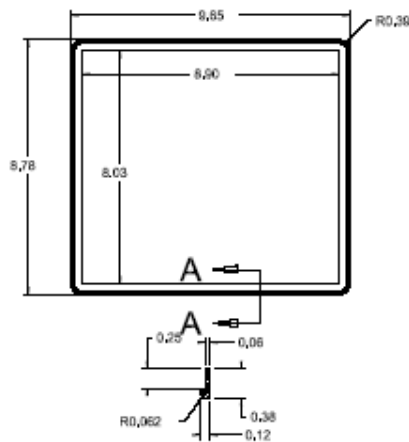
### RG0036



## RG0036 Rubber Gasket

1) For use with the  
AD0028 Recessed  
Access Door

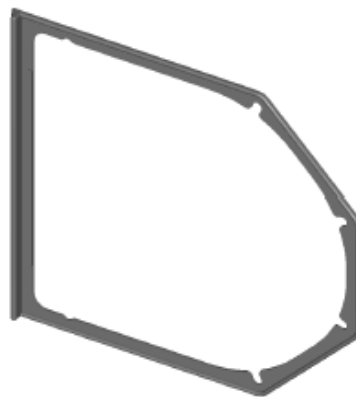
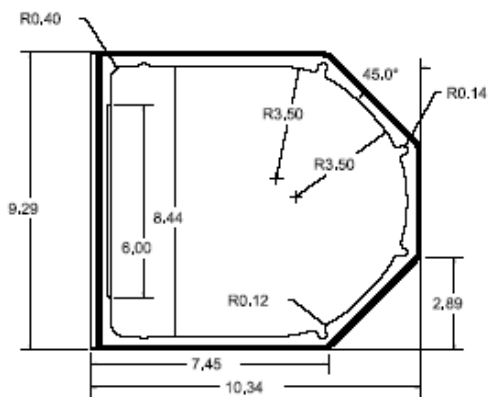
### RG0037



## RG0037 Rubber Gasket

1) For use with the  
FG5308 Recessed Fuel  
Filler Guard

### RG0040

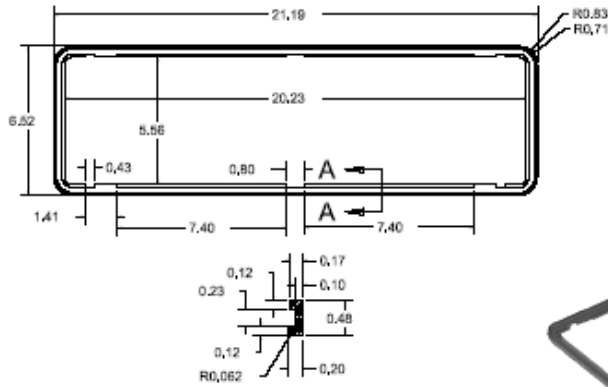


## RG0040 Rubber Gasket

1) For use with the  
AD0032 polished  
Access Door



## RG0043

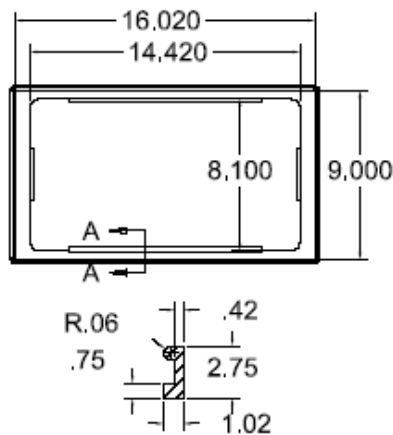


## RG0043 Rubber Gasket

1) For use with the  
LH46121 Triple, Horz.  
4x6 Hsg

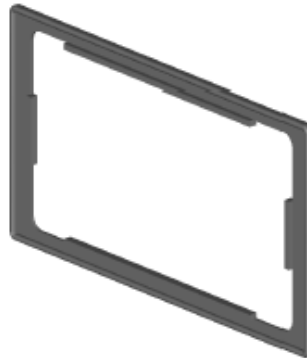


## RG0048

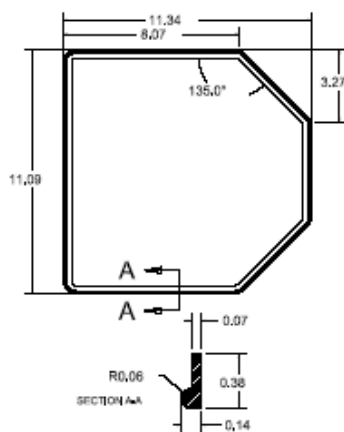


## RG0048 Rubber Gasket

1) For use with the  
LH91203

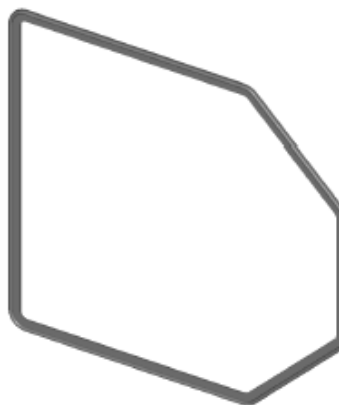


## RG0050



## RG0050 Rubber Gasket

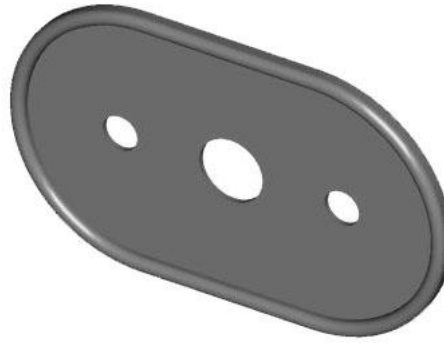
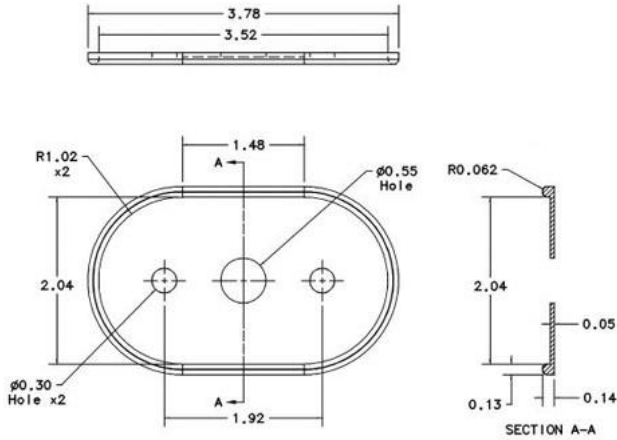
1) For use with the  
ADC0025 Access  
Flange.



### RG0057

### RG0057 Rubber Gasket

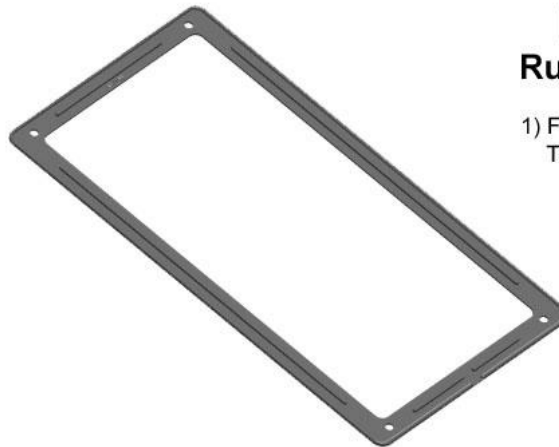
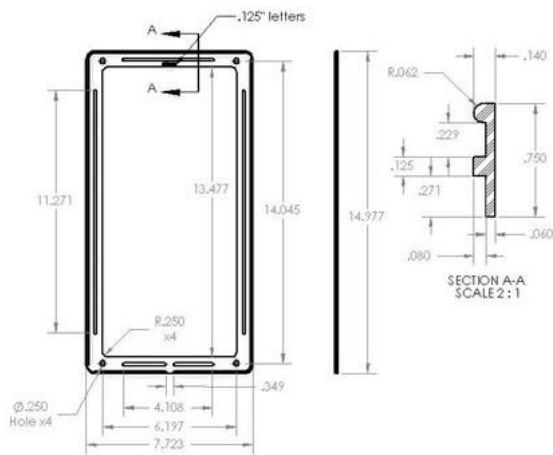
1) For use with LH91102.



### RG0063

### RG0063 Rubber Gasket

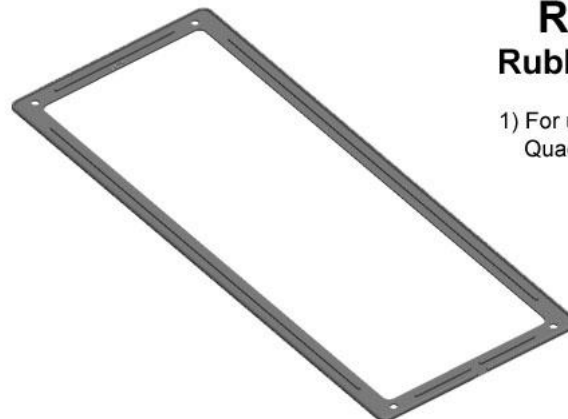
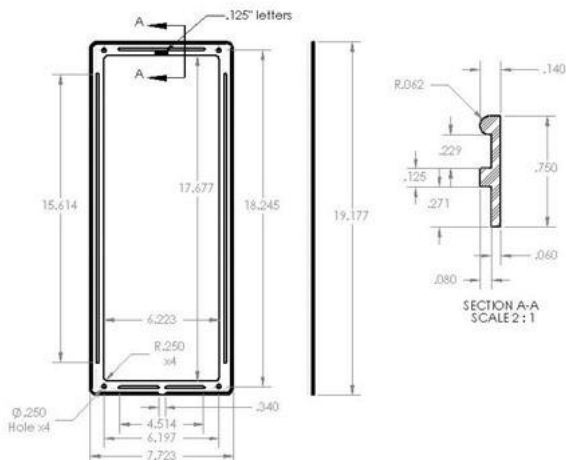
1) For use with LH46128  
Triple 4x6 Light Housing.



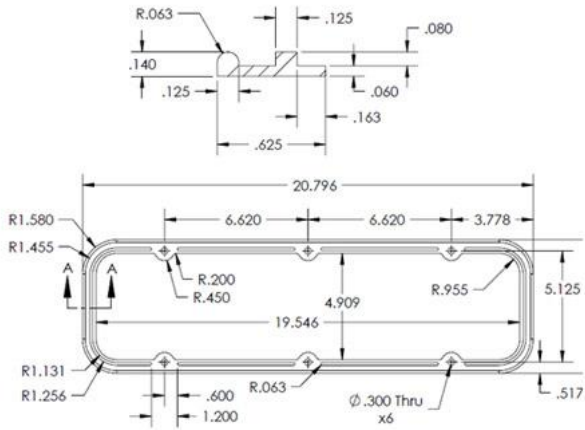
### RG0064

### RG0064 Rubber Gasket

1) For use with LH46129  
Quad 4x6 Light Housing.

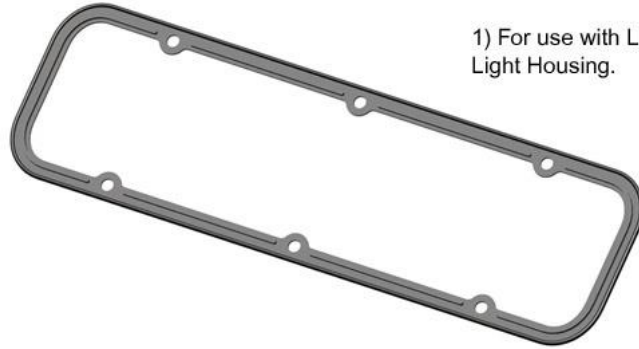


### RG0076

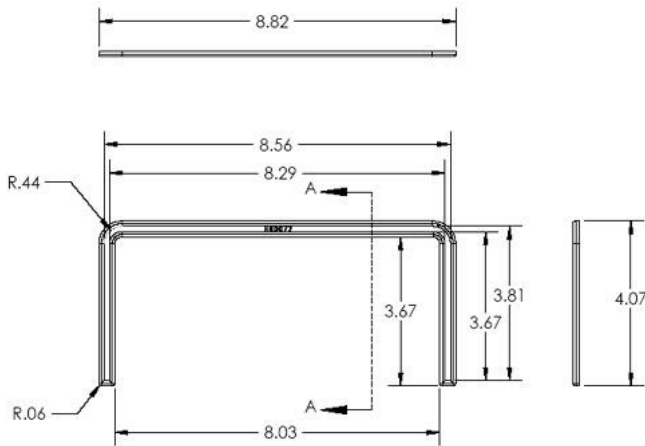


### RG0076 Rubber Gasket

1) For use with LH46132  
Light Housing.



### RG0077

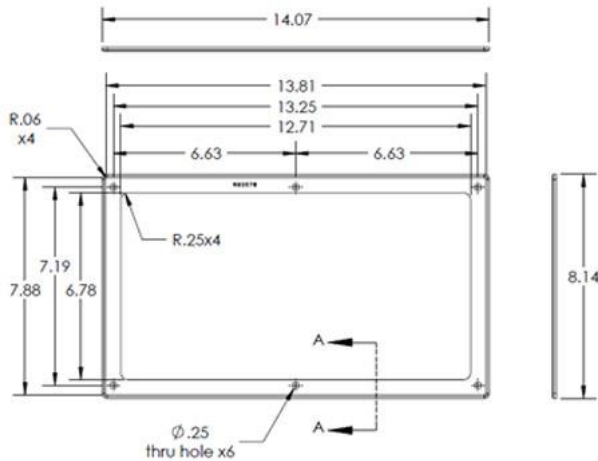


### RG0077 Rubber Gasket

1) For use with VC0002.



### RG0078

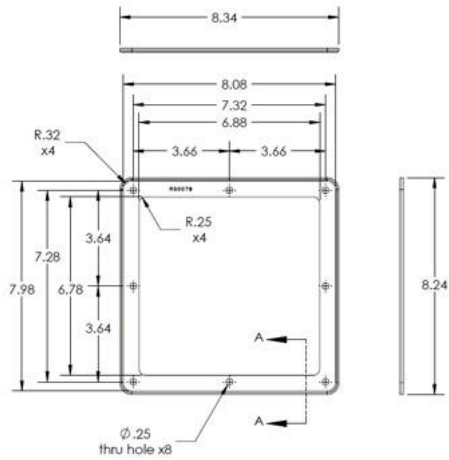


### RG0078 Rubber Gasket

1) For use with LP0002.



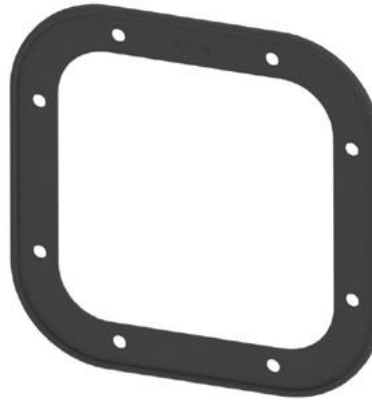
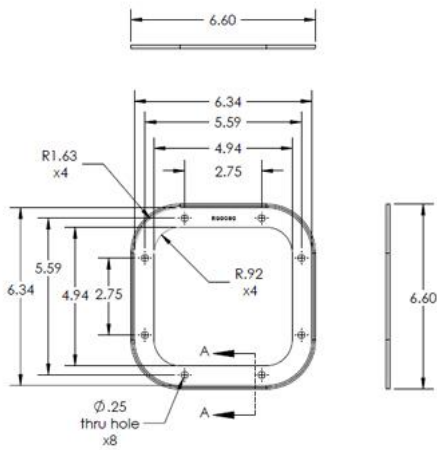
### RG0079



### RG0079 Rubber Gasket

1) For use with FG5504.

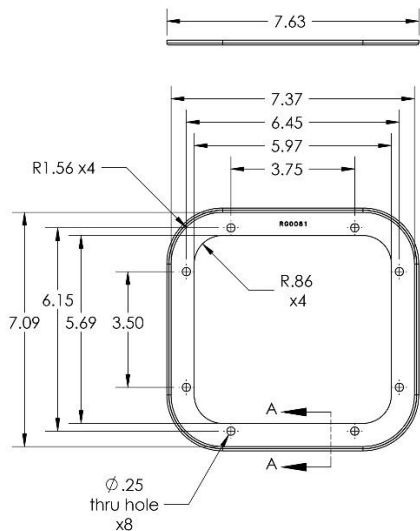
### RG0080



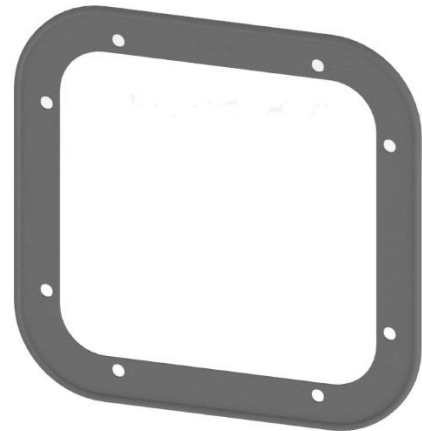
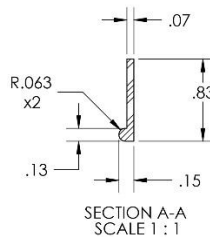
### RG0080 Rubber Gasket

1) For use with FG4502.

### RG0081

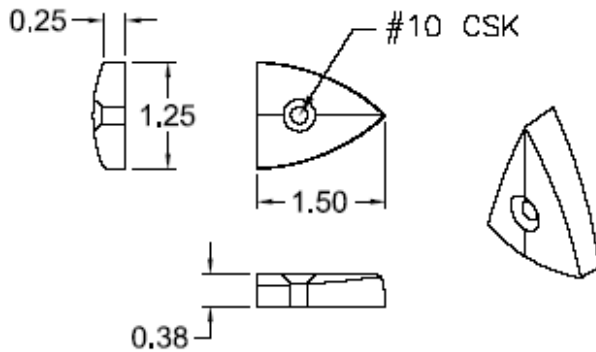


### RG0081 Rubber Mounting Gasket for FG4201



# Rub Rail End Caps

**RR0001**

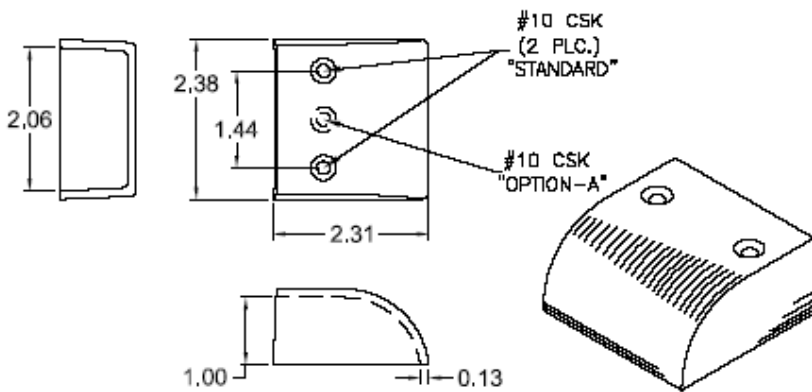


**RR0001**

**Rub Rail End**

1) Finish: All exterior surfaces are bright polished.

**RR0007**

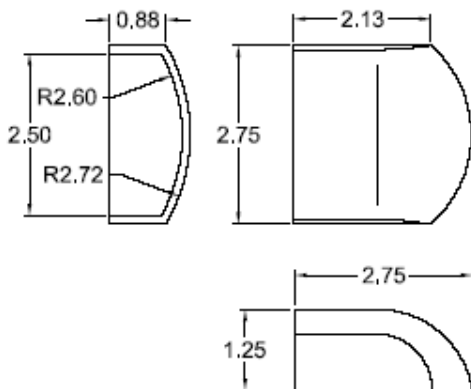


**RR0007**

**Rub Rail End**

1) Finish: All exterior surfaces are bright polished.  
2) Order "option-A" for one hole in the center as shown.

**RR0010**

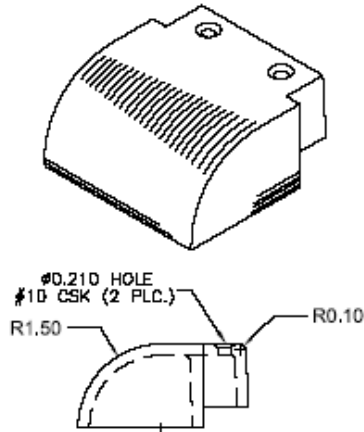
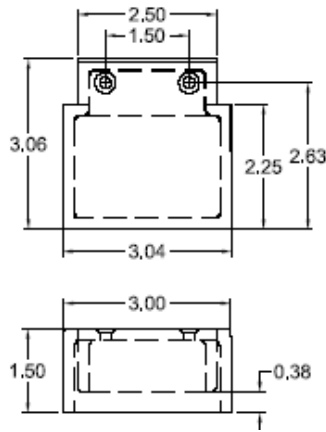


**RR0010**

**Rub Rail End**

1) Finish: All exterior surfaces are bright polished.

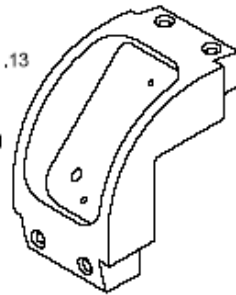
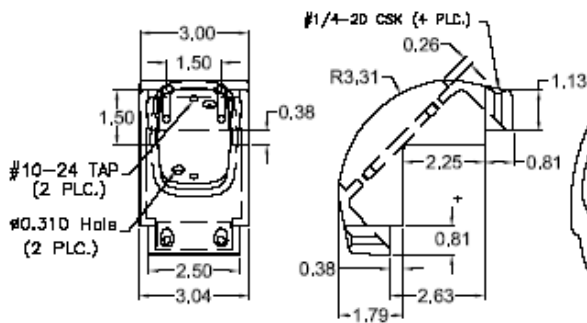
## RR0012



## RR0012 Rub Rail End

1) Finish: All exterior surfaces are bright polished.

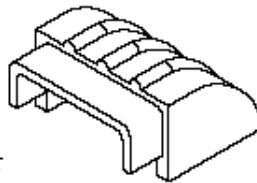
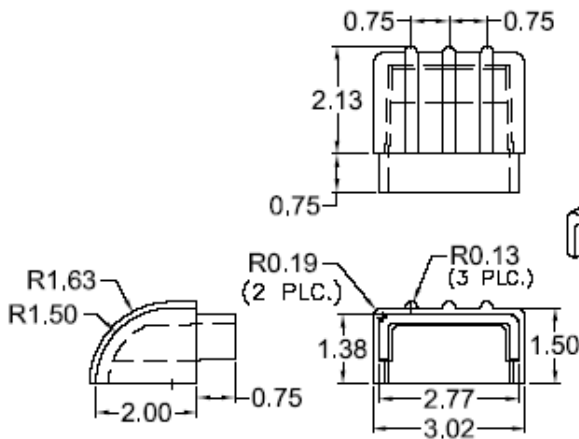
## RR0013



## RR0013 Rub Rail End 90° degree Corner

1) Finish: All exterior surfaces are bright polished.

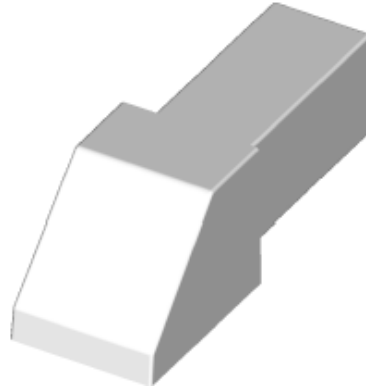
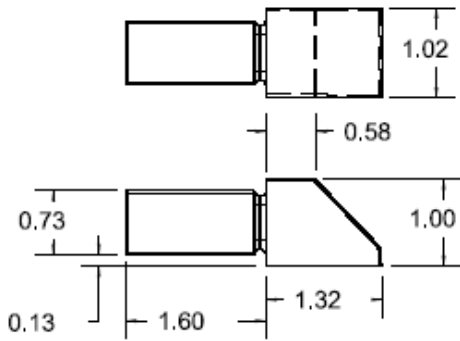
## RR0014



## RR0014 Rub Rail End

1) Finish: All exterior surfaces are bright polished.

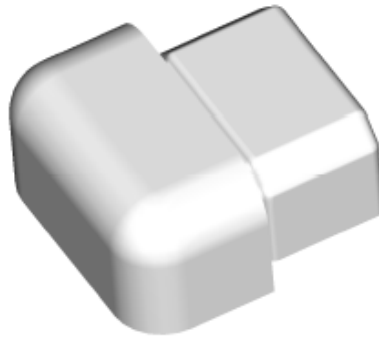
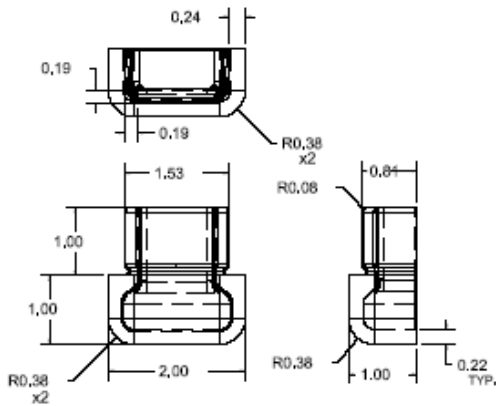
## RR0024



## RR0024 Rub Rail End Cap

1) Finish: all exterior surfaces are bright polished.

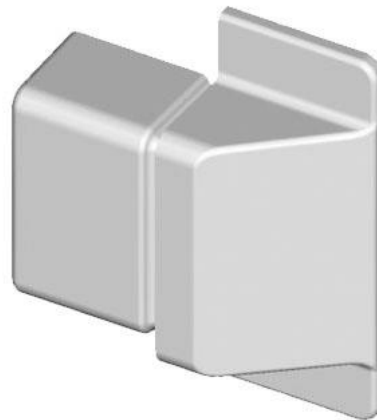
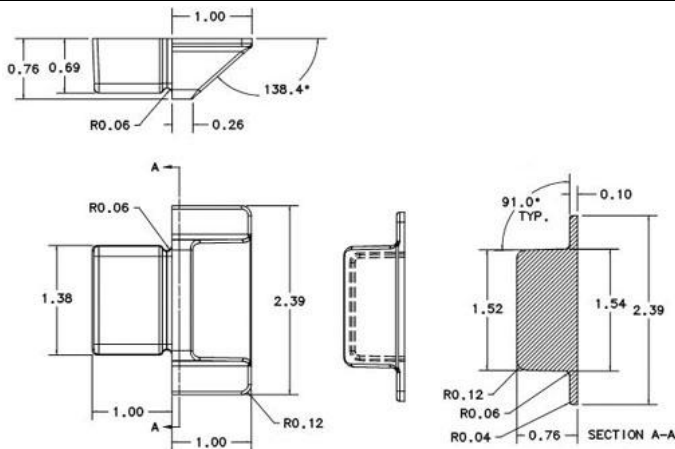
## RR0027



## RR0027 Rub Rail End Cap

1) Finish: all exterior surfaces are bright polished.

## RR0034



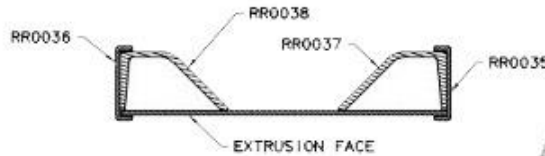
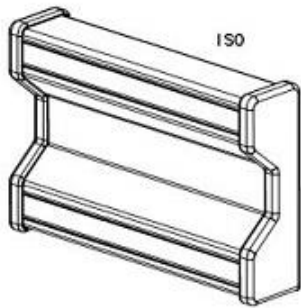
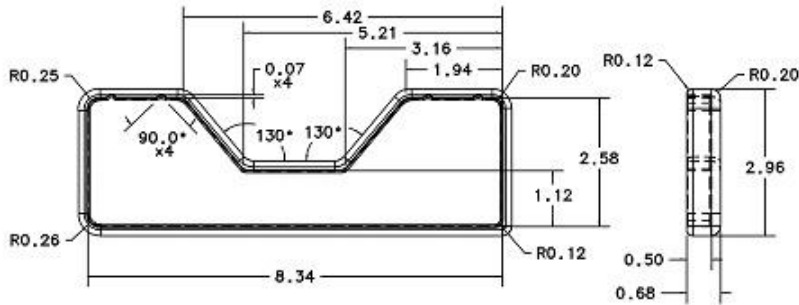
## RR0034 Rub Rail End Cap

1) Finish: ball-burnished.

**RR0035 RR0036**

**RR0035 & RR0036  
Rub Rail End Caps**

- 1)Finish: Ball-burnished
- 2)RR0035 Right hand shown
- 3)RR0036 Left hand is opposite

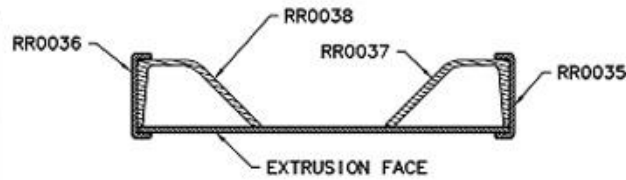
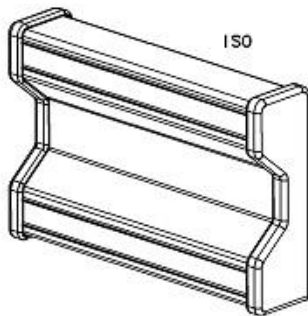
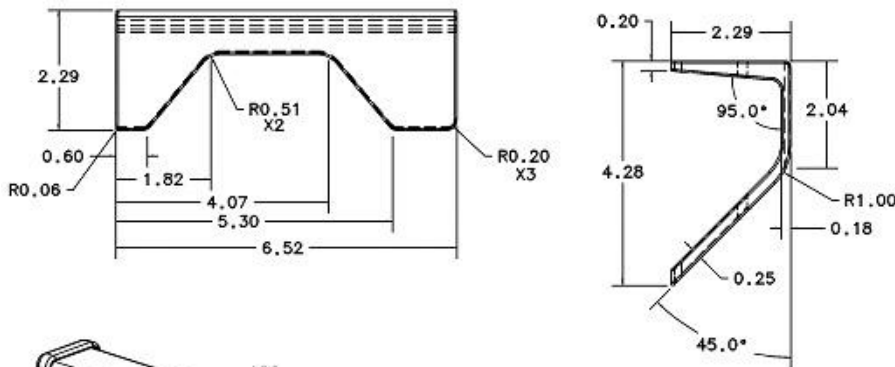


**RR0035**

**RR0037 RR0038**

**RR0037 & RR0038  
Angle Filler Castings**

- 1)Finish: Ball-burnished
- 2)RR0037 Right hand shown
- 3)RR0038 Left hand is opposite

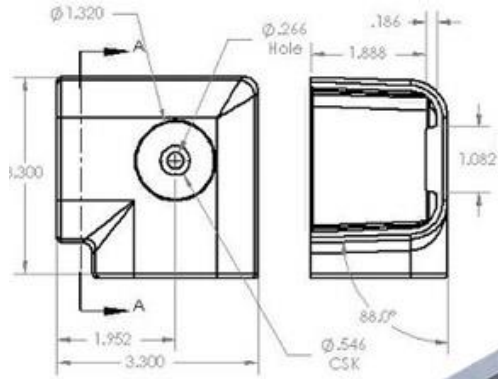


**RR0037**





## RR0043

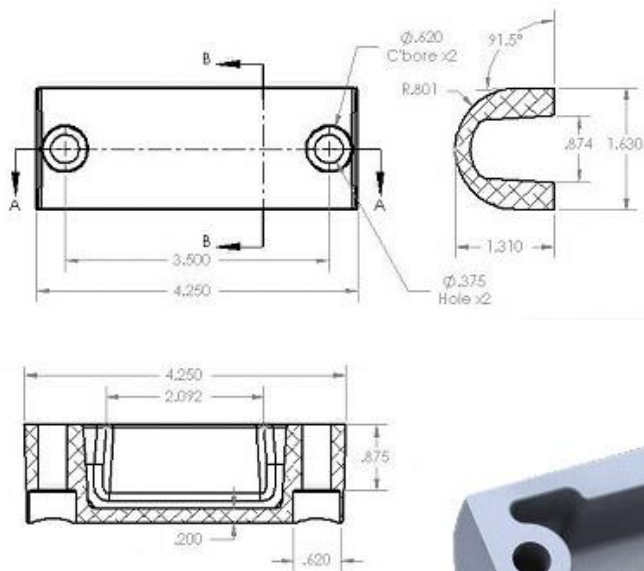


## RR0043 90d. Corner Cap

1)Finish: Powder-coated Black or VFM

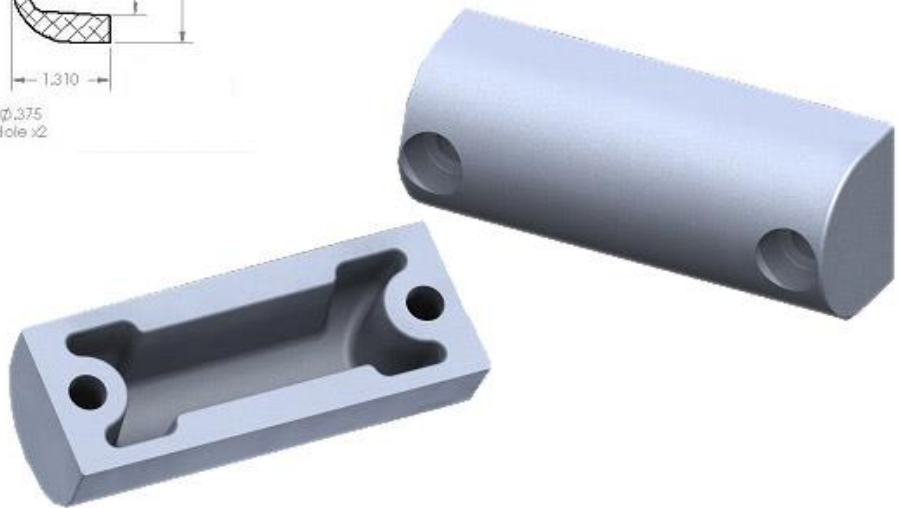


## RR0044

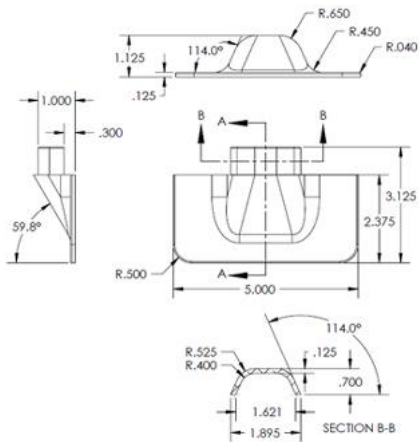


## RR0044 Extrusion End Cap Casting

1)Finish: Ball-burnished

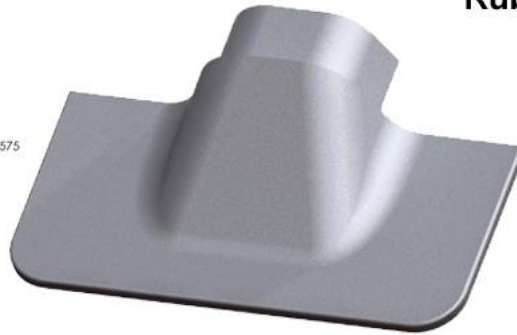


## TRR0002



## TRR0002 Rub Rail End Cap

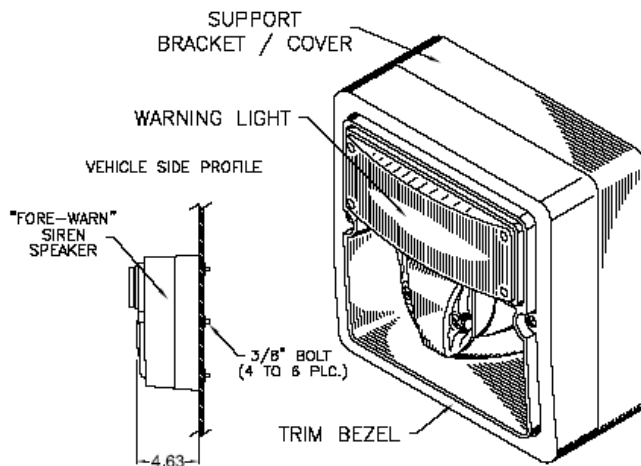
1) Finish: VFM.



## Siren Speakers

### SA1000 Series

## SA1502



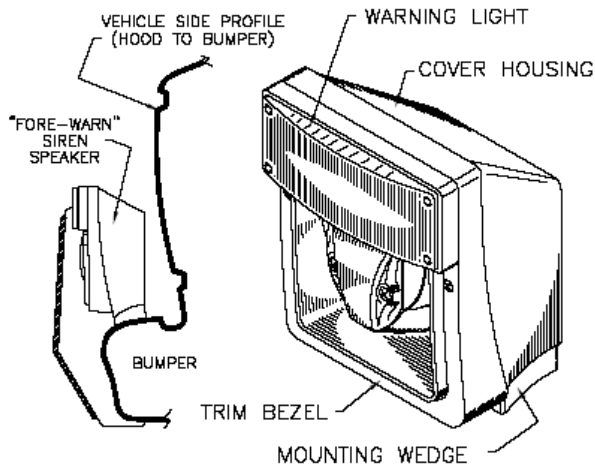
## SA1502

### Surface Mount Siren Speaker with Warning Light

- 1) Finish: Trim Bezel is polished. Cone and Horn are Wheel-a-brated.
- 2) Important: See specs for matching electrical components and requirements.
- 3) Designed to mount on a flat surface which prohibits cutting of the body (Installation procedure included).

## SA2000 Series

### SA2201

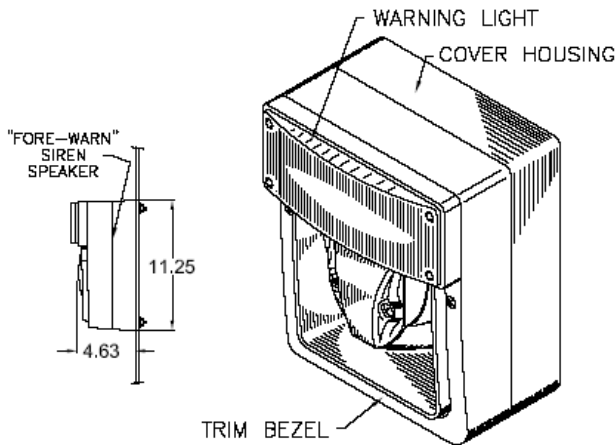


### SA2201

#### Bumper Mounted Siren Speaker with Warning Light

- 1) Finish: Trim Bezel is polished. Cone and Horn are Wheel-a-brated.
- 2) Important: See specs for matching electrical components and requirements.
- 3) Designed for use with a 3" x 7" Light on the '86-'87 Chevy C30 (Installation procedure included).

### SA2301

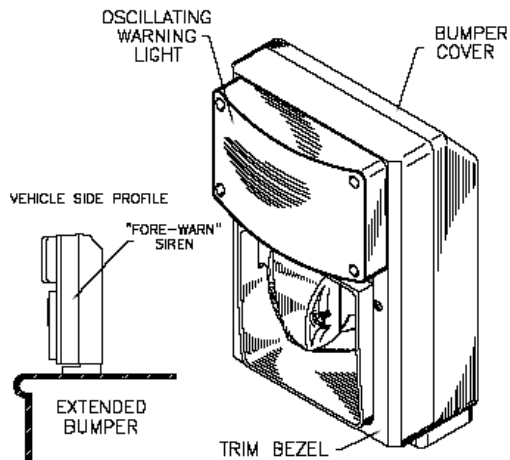


### SA2301

#### Surface Mount Siren Speaker with Warning Light

- 1) Finish: Trim Bezel is polished. Cone and Horn are Wheel-a-brated.
- 2) Important: See specs for matching electrical components and requirements.
- 3) Designed to mount on a flat surface which prohibits cutting the body (Installation procedure included).

### SA2208

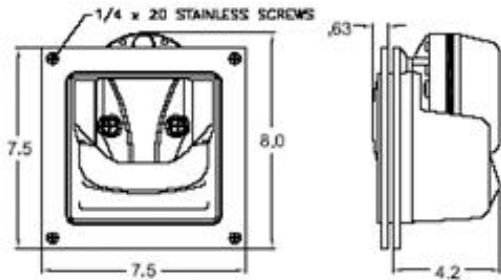


### SA2208

#### Surface Mount Siren Speaker for Oscillating Lights

- 1) Finish: Trim Bezel is polished. Cone and Horn are Wheel-a-brated.
- 2) Important: See specs for matching electrical components and requirements.
- 3) **SA2208** for use with **Code-3 Oscilaser** Lights, **SA2209** for use with **Federal TCL** Lights (Installation procedure included).

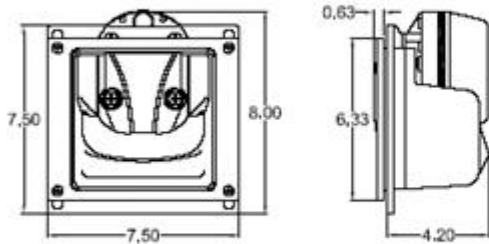
## SA2401



## SA2401 Inside-the-Bumper Mount Siren Speaker

- 1) Finish: Trim Bezel is polished. Cone and Horn are Wheel-a-brated.
- 2) Important; See specs for matching electrical components and requirements.
- 3) For mounting inside the bumper used on the front of most firetrucks (Installation procedure included).

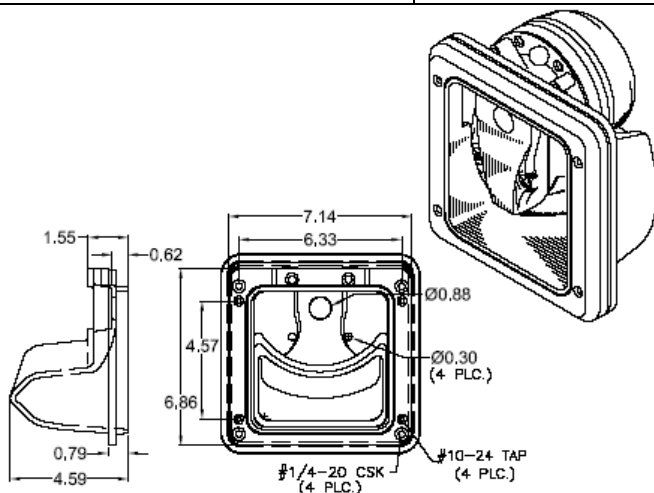
## SA2403



## SA2403 Inside-the-Bumper Mount Siren Speaker (10" Tall Bumper)

- 1) Finish: Trim Bezel is polished. Cone and Horn are Wheel-a-brated.
- 2) Important; See specs for matching electrical components and requirements.
- 3) For mounting inside the 10" tall bumpers used on the front of some firetrucks (Installation procedure included).

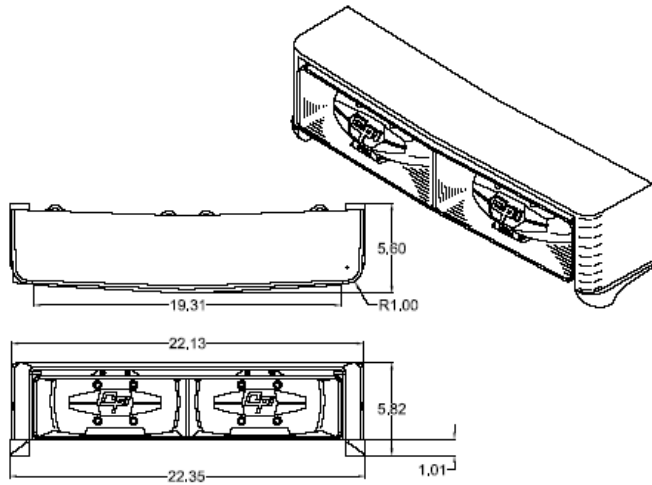
## SA2405



## SA2405 Inside-the-Bumper Mount Siren Speaker (12" Tall Bumper)

- 1) Finish: Trim Bezel is polished. Cone and Horn are Wheel-a-brated.
- 2) Important; See specs for matching electrical components and requirements.
- 3) Designed as a "front load" mount in the bumper of some firetrucks (Installation procedure included).

## SA3203



## SA3203 Dual Siren Speaker (Bumper Mount)

- 1) Finish: Trim Bezel is polished. Cone and Horn are Wheel-a-brated.
- 2) Important: See specs for matching electrical components and requirements.
- 3) Designed to mount on the bumpers of most full size trucks and vans.

## SA3000 Series

## SA3501

BUMPER SIDE  
PROFILE



## SA3501 Inside-the-Bumper Mount Siren Speaker

- 1) Finish: Trim Bezel is polished. Cone and Horn are Wheel-a-brated.
- 2) Important: See specs for matching electrical components and requirements.
- 3) Mounts Inside the bumper used on the front of most firetrucks (Installation procedure included).

## SA3502



## SA3502 Inside-the-Bumper Mount Siren Speaker

- 1) Finish: Trim Bezel is polished. Cone and Horn are Wheel-a-brated.
- 2) Important: See specs for matching electrical components and requirements.
- 3) Mounts inside the bumper used on the '92-03 Freightliner FL60 (Installation procedure included).

## SA3503

BUMPER SIDE  
PROFILE



## SA3503 Inside-the-Bumper Siren Speaker

- 1) Finish: Trim Bezel is polished. Cone and Horn are Wheel-a-brated.
- 2) Important: See specs for matching electrical components and requirements.
- 3) For mounting inside the bumper used on the front of most firetrucks (Installation procedure included).

## SA3504



## SA3504 Inside-the-Bumper Siren Speaker

- 1) Finish: Trim Bezel is polished. Cone and Horn are Wheel-a-brated.
- 2) Important: See specs for matching electrical components and requirements.
- 3) For mounting inside the bumper used on the '92-03 Freightliner FL60 (Installation procedure included).

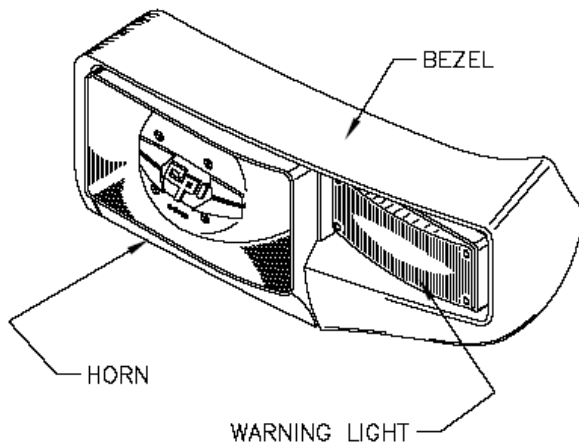
**SA3801**



**SA3801**  
**TTB Mount Siren Speaker**  
**(SA3800 series) for Stan-**  
**dard 2" OD Logo Stickers**

- 1) Finish: Exterior flange is polished. Siren speaker is ball-burnished.
- 2) For "through-the-bumper" mounting with 2" OD Logo Stickers.

**SAD3201 SAP3201**



**SAD SAP3201**  
**E350 Bumper Mount Siren**  
**Speaker with 3" x 7"**  
**Warning Lights**

- 1) Finish: Wheel-a-brated on all surfaces or powder-coated white
- 2) Important: See specs for matching electrical components and requirements.
- 3) Mounts under the headlights on the 1997-02 Ford E350 Van



**SAD3801 SAP3801**

**SAD SADP3801**  
TTB Siren Speaker  
for 2008-09 Ford  
E350 SD series



- 1) Finish: Exterior flange is polished. Siren speaker is ball-burnished.
- 2) For "through-the-bumper" mounting on 2008-09 Ford E350 SD series

**SAD3802 SAP3802**

**SAD SADP3802**  
TTB Siren Speaker  
for 2008-09 Ford  
F350 SD series



- 1) Finish: Exterior flange is polished. Siren speaker is ball-burnished.
- 2) For "through-the-bumper" mounting on 2008-09 Ford F350 SD series

## SAD3803 SAP3803



- 1) Finish: Exterior flange is polished. Siren speaker is ball-burnished.
- 2) For "through-the-bumper" mounting on 2008-09 International 4300 MaxxFace DT

## SAD SADP3803 TTB Siren Speaker for 2008-09 International 4300 MaxxFace DT



## SA3804



- 1) Finish: Exterior flange is polished. Siren speaker is ball-burnished.
- 2) For "through-the-bumper" mounting on 2008-09 International 4300 MaxxFace DT

## SA3804 TTB Siren Speaker 2007- 08 G3500 Van (for Dual Center Mount)



## SAD3805 SAP3805



- 1) Finish: Exterior flange is polished.  
Siren speaker is ball-burnished.
- 2) For "through-the-bumper" mounting on 2004-09 Freightliner M2.

## SAD SAP3805 TTB Siren Speaker for 2004-09 Freightliner M2 - TTB Mount (SA3800 series)



## SAD3806 SAP3806



- 1) Finish: Exterior flange is polished.  
Siren speaker is ball-burnished.
- 2) For "through-the-bumper" mounting on 2011 Ford F series SD.
- 3) No cutting templates required. Uses existing bumper openings.

## SAD3806 SAP3806 TTB Siren Speaker for 2011 Ford F Series SD (SA3800 series)



### SAD3807 SAP3807

### SAD3807 SAP3807 TTB Siren Speaker for 2010 Dodge 3500 Truck (SA3800 series)



- 1) Finish: Exterior flange is polished.  
Siren speaker is ball-burnished.
- 2) For "through-the-bumper" mounting on  
2010 Dodge 3500 Truck.
- 3) Cutting templates required.

### SAD3808 SAP3808

### SAD3808 SAP3808 TTB Siren Speaker for 2011 International TerraStar and WorkStar Truck (SA3800 series)



- 1) Finish: Exterior flange is polished.  
Siren speaker is ball-burnished.
- 2) For "through-the-bumper" mounting on  
2011 International TerraStar or WorkStar (no fog  
light openings).
- 3) Cutting templates required.

## SAD3809 SAP3809



- 1) Finish: Exterior flange is polished.  
Siren speaker is ball-burnished.
- 2) For "through-the-bumper" mounting on  
2011 Chevy C3500 HD (only - No GMC).
- 3) Cutting templates required.

## SAD3809 SAP3809 TTB Siren Speaker for 2011 Chevy C3500 HD (only) Truck (SA3800 series)



## SAD3810 SAP3810



- 1) Finish: Exterior flange is polished.  
Siren speaker is ball-burnished.
- 2) For "through-the-bumper" mounting on  
2011 Ford F750.
- 3) Cutting templates required.

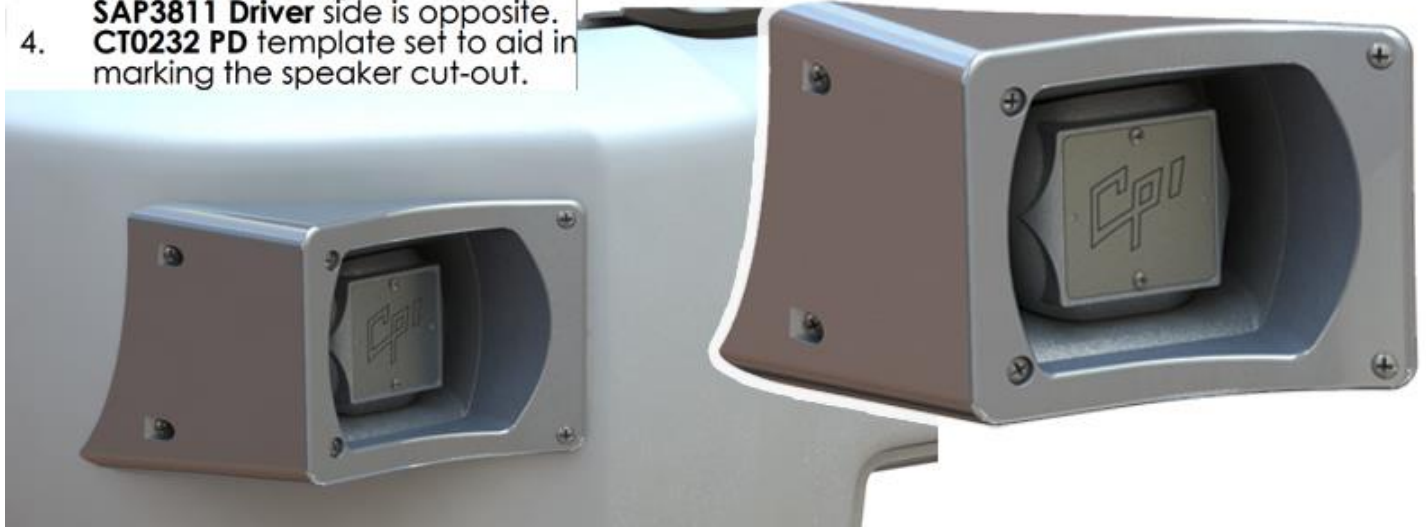
## SAD3810 SAP3810 TTB Siren Speaker for 2011 Ford F750 Truck (SA3800 series)



## SAD3811 SAP3811

1. Finish: ball-burnished with flange exterior polished.
2. Through-the-bumper mount on the 2015 Chevy C3500 only (thru Foglight opening).
3. **SAP3811 Passenger** side shown. **SAP3811 Driver** side is opposite.
4. **CT0232 PD** template set to aid in marking the speaker cut-out.

## SAD3811 SAP3811 Driver / Passenger - Siren Speaker for 2015 Chevy C3500 - TTB Mount (SA3800 series speaker)



## SAD3813 SAP3813

### SAD3813-15TRN-1 SAP3813-15TRN-1

TTB Siren Speaker for 2015 Ford Transit  
Cargo - TTB Mount (SA3800 series speaker)



1. Finish: interior is ball-burnished with exterior flange and face polished.
2. TTB Siren Speaker for 2015 Ford Transit (SA3800 series speaker)

**SAD3815 SAP3816**

**SAD3815 SAP3816-17FSD-1**

TTB Siren Speaker for 2017 Ford F450 SD -  
TTB Mount (SA3800 series speaker)

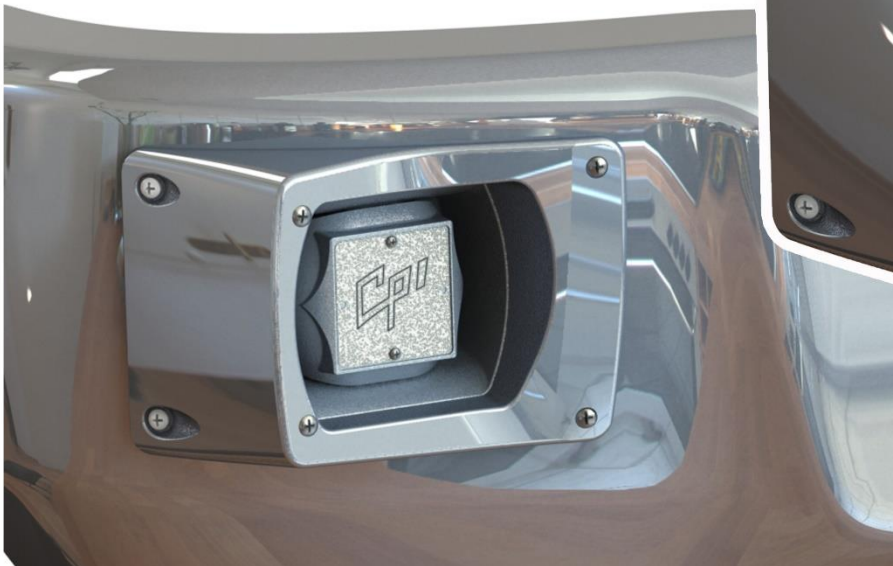


1. Finish: interior is ball-burnished with exterior flange and face polished.
2. TTB Siren Speaker for 2017 Ford F450 SD - TTB Mount (SA3800 series speaker)

**SAD3819 SAP3820**

**SAD3819 SAP3820-19C45-1**

TTB Siren Speaker for 2019 Chevy C4500 C5500  
TTB Mount (SA3800 series speaker) with or  
without Fog Light Openings



1. Finish: interior is ball-burnished with exterior flange and face polished.
2. TTB Siren Speaker for 2019 Chevy C4500 C5500 TTB Mount (SA3800 series speaker) with or without Fog Light Openings

**SAD3821 SAP3822**

**SAD3821  
SAP3822-19-RAM-3500-1**  
TTB Siren Speaker for 2019 Dodge Ram 3500,  
4500, 5500 (SA3800 series speaker)



1. Finish: interior is ball-burnished with exterior flange and face polished.
2. TTB Siren Speaker for 2019 Dodge Ram 3500, 4500, 5500 (SA3800 series speaker)

**SAD3823 SAP3824**

**SAD3823 SAP3824-19SPTR-1**  
TTB Siren Speaker for 2019 Sprinter with Front  
DEF Tank  
(SA3800 series speaker)



1. Finish: interior is ball-burnished with exterior flange and face polished.
2. TTB Siren Speaker for 2019 Sprinter with Front DEF Tank (SA3800 series speaker)



**SAD3826 SAP3825**

**SAD3826 SAP3825-20TRANSIT-1**  
TTB Siren Speaker for 2020 Ford Transit Cargo -  
Ferring TTB Mount (SA3800 series speaker)



1. Finish: interior is ball-burnished with exterior flange and face polished.
2. TTB Siren Speaker for 2020 Ford Transit Cargo - Ferring TTB Mount (SA3800 series speaker)

**SAD3827 SAP3828**

**SAD3827 SAP3828-20FSD-1**  
TTB Siren Speaker for 2020 Ford F Series SD -  
TTB Mount (SA3800 series speaker)



1. Finish: interior is ball-burnished with exterior flange and face polished.
2. TTB Siren Speaker for 2020 Ford F Series SD - TTB Mount (SA3800 series speaker)

**SAD3829 SAP3830**

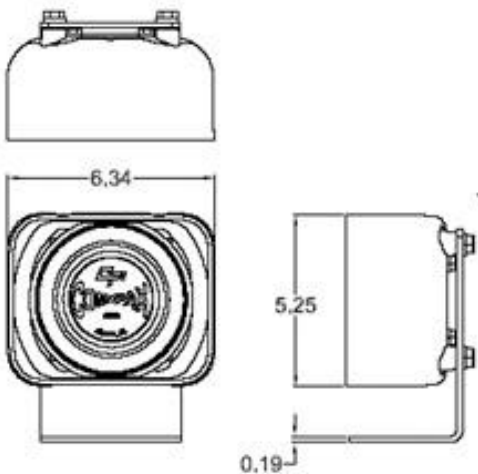
**SAD3829 SAP3830-20C35-1**  
TTB Siren Speaker for 2020 Chevy C3500 - TTB  
Mount (SA3800 Series Speaker)



1. Finish: interior is ball-burnished with exterior flange and face polished.
2. TTB Siren Speaker for 2020 Chevy C3500 - TTB Mount (SA3800 Series Speaker)

**SA4000 Series**

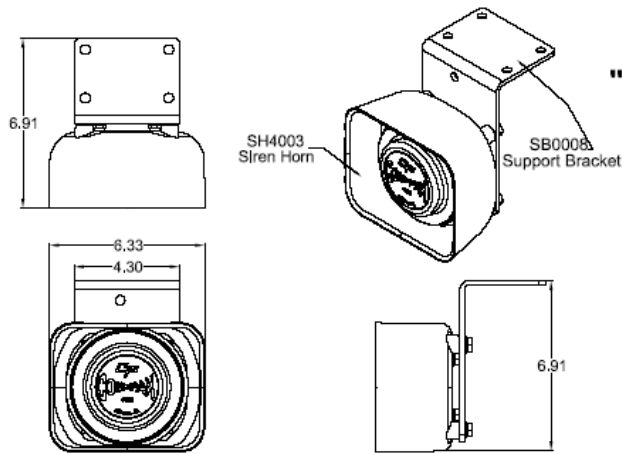
**SA4201**



**SA4201**  
**Compact Speaker**  
**with "L" Bracket**

- 1) Finish: Cone and Horn are Ball-burnished. "L" bracket is Black Powder-Coated.
- 2) Important: See specs for matching electrical components and requirements.

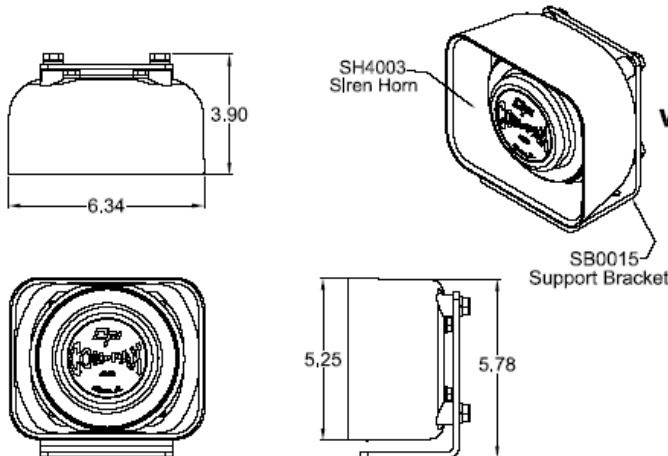
## SA4204



### SA4204 "Behind-the-Grille" Mount Compact Speaker

- 1) Finish: Cone and Horn are Ball-burnished. Bracket is Black Powder-Coated.
- 2) Important: See specs for matching electrical components and requirements.
- 3) Mounts behind the grille on the '98-'02 Ford Crown Victoria.

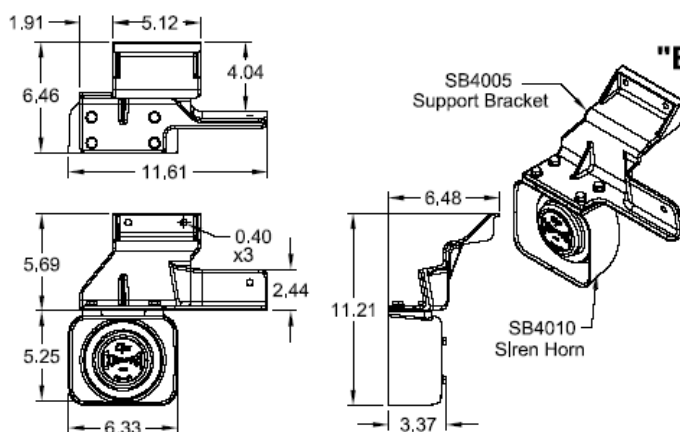
## SA4206



### SA4206 Compact Speaker with Shorter "L" Bracket

- 1) Finish: Cone, Horn and "L" Bracket are Black Powder-Coated.
- 2) Important: See specs for matching electrical components and requirements.

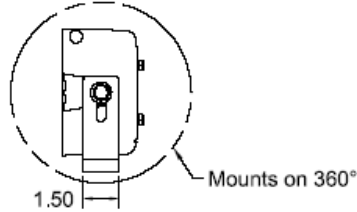
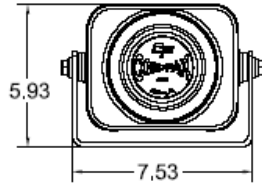
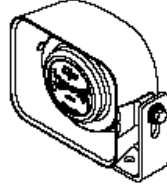
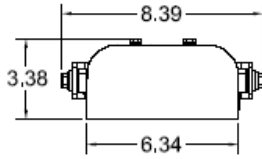
## SA4208



### SA4208 "Behind-the-Grille" Mount Compact Speaker

- 1) Finish: Cone and Horn are Ball-burnished. Brackets are Wheel-a-brated.
- 2) Important: See specs for matching electrical components and requirements.
- 3) Mounts behind the grille on the 2000-04 Chevy Tahoe and GMC Yukon.

## SA4209

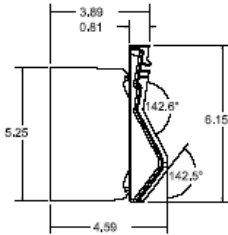
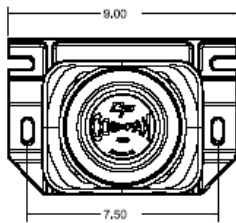


## SA4209

### Compact Speaker w/ "U" Shaped Mounting Bracket

- 1) Finish: Cone and Horn are Ball-burnished. Bracket is Black Powder-Coated.
- 2) Important: See specs for matching electrical components and requirements.

## SA4210



## SA4210

### Compact Speaker "Behind-the-Bumper" Mount, '94-2002 Chevy Camaro

- 1) Finish: Cone and Horn are Ball-burnished. Bracket is wheel-a-brated.
- 2) Important: See specs for matching electrical components and requirements.
- 3) "Behind-the-Bumper" Mount, '94-2002 Chevy Camaro

**SA4225**

**SA4225**  
Compact Speaker, "BTG"  
Mount, 2015 Dodge Charger,  
"Behind-the-Grille mount"

1) Finish: black powder coated.



**SA4226**

**SA4226**  
Compact Speaker, "BTG"  
Mount, 2015 Chevy Tahoe,  
"Behind-the-Grille mount"

1) Finish: black powder coated.

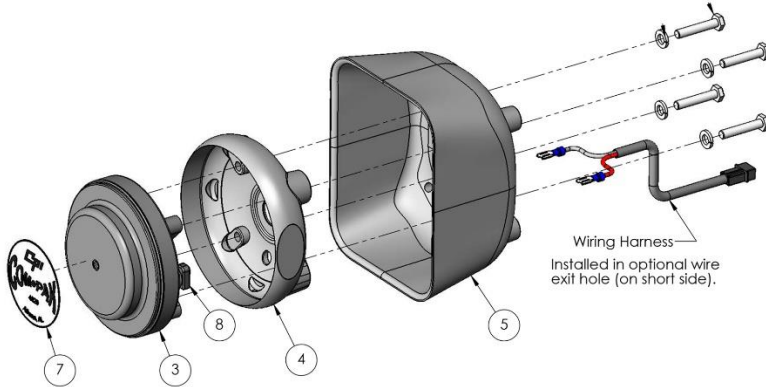


## SA4227

### SA4227-6BHG-A

Compact Speaker, w/ Wire Connector and Harness  
(No Bracket)

1. Finish: powder coated black high gloss.
2. Compact Speaker, w/ Wire Connector and Harness (No Bracket)

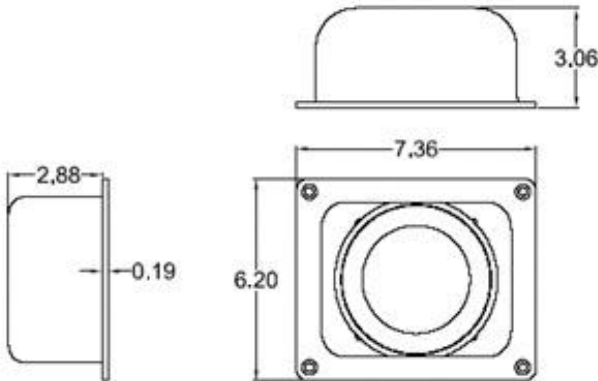


## SA4301

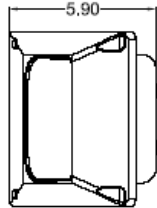
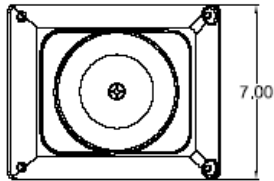
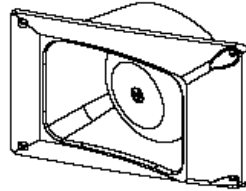
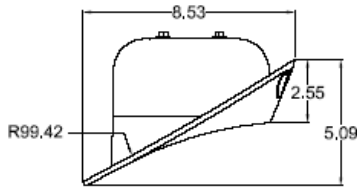
### SA4301

"Through-the-Bumper"  
Compact Speaker w/ Flat  
Mounting Flange

- 1) Finish: Cone is Ball-burnished. Housing is polished.
- 2) Important: See specs for matching electrical components and requirements.
- 3) Designed to mount through the bumper of most firetrucks.



### SA4303

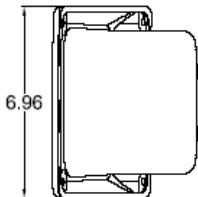
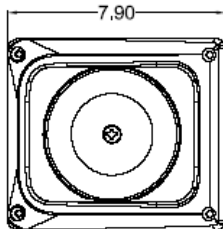
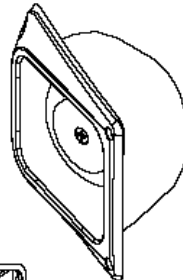
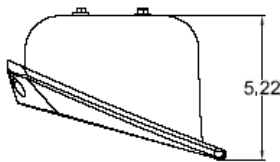


### SA4303

#### "Through-the-Bumper" Compact Speaker

- 1) Finish: Cone and Housing are Ball-burnished.
- 2) Important: See specs for matching electrical components and requirements.
- 3) Designed to mount through the bumper of the '93-'99 Freightliner FL60.

### SA4305

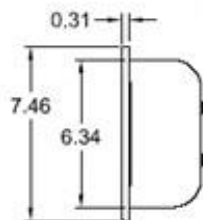
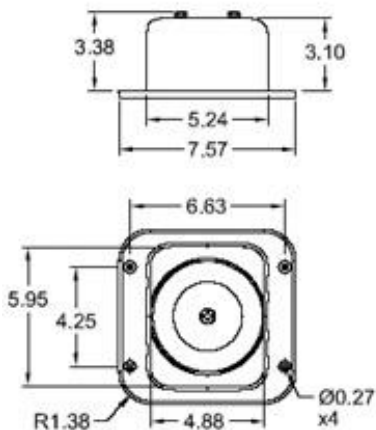


### SA4305

#### "Through-the-Bumper" Compact Speaker

- 1) Finish: Cone is Ball-burnished. Housing is polished.
- 2) Important: See specs for matching electrical components and requirements.
- 3) Designed to mount through the bumper of the '99 Ford F650, F750.

### SA4306

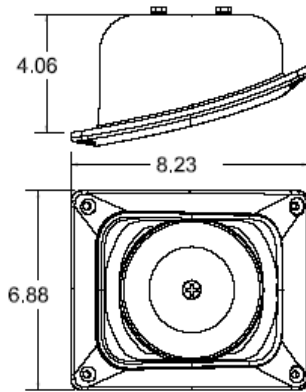


### SA4306

#### "Through-the-Bumper" Compact Speaker

- 1) Finish: Cone is Ball-burnished. Housing is polished.
- 2) Important: See specs for matching electrical components and requirements.
- 3) Designed to mount through the bumper of the '99 Ford F650, F750.

## SA4310

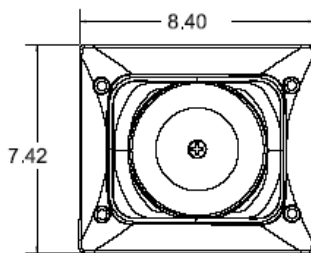


## SA4310

**Compact Speaker,  
"Through-the-Bumper"  
Mount, 2003-05  
International 7400**

- 1) Finish: Cone is Ball-burnished. Housing is polished.
- 2) Important: See specs for matching electrical components and requirements.
- 3) Compact Speaker, "Through-the-Bumper" Mount, 2003-05 International 7400

## SA4311

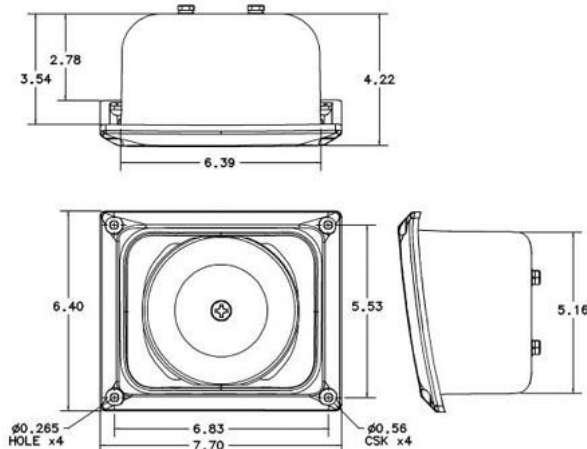


## SA4311

**Compact Speaker,  
"Through-the-Bumper"  
Mount, 2003-05 M2  
Freightliner**

- 1) Finish: Cone is Ball-burnished. Housing is polished.
- 2) Important: See specs for matching electrical components and requirements.
- 3) Compact Speaker, "Through-the-Bumper" Mount, 2003-05 M2 Freightliner w/ pre-cut holes

## SA4316



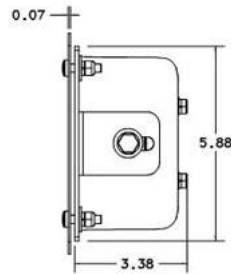
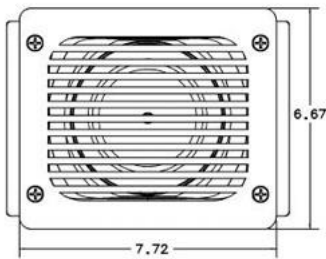
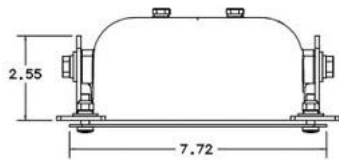
## SA4316

**Compact Speaker,  
"Through-the-Bumper"  
Mount, 2007-08 G3500 Van  
(for Dual Center Mount)**

- 1) Finish: Polished cone and exterior flange with interior ball-burnished.



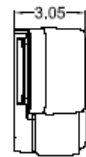
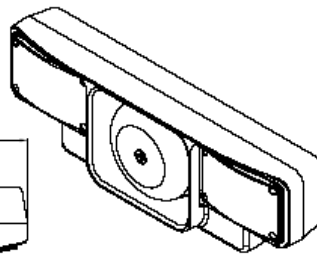
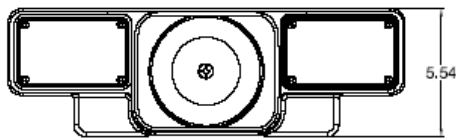
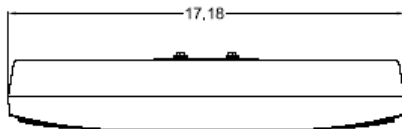
## SA4317



### **SA4317** Compact Speaker, "Through-the-Bumper" Mount - Universal (Stamped Face Trim)

- 1) Finish: Stamped face trim is polished. Housing, cone and brackets are black powder-coated.

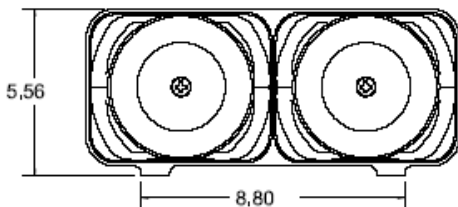
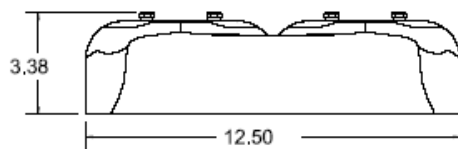
## SA4401



### **SA4401** Bumper Mount Compact Speaker

- 1) Finish: Cone is Ball-burnished. Housing is polished.
- 2) Important: See specs for matching electrical components and requirements.
- 3) Bumper Mount design with 2 3" x 5" linear strobe lights.
- 4) Light Spacer available for older 3" x 4" lights.

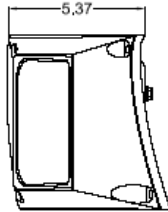
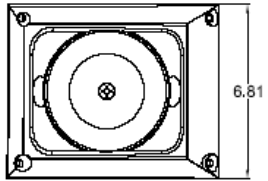
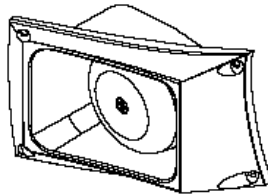
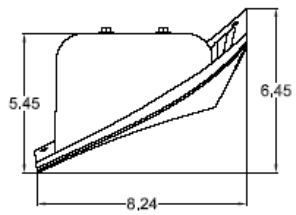
## SA4402



### **SA4402** Double Compact Speaker, Bumper Mount

- 1) Finish: Ball-burnished.
- 2) Double Compact Speaker, Bumper Mount

## SAD4302 SAP4302

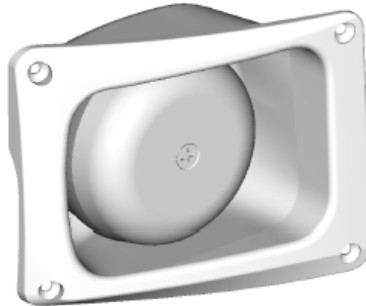
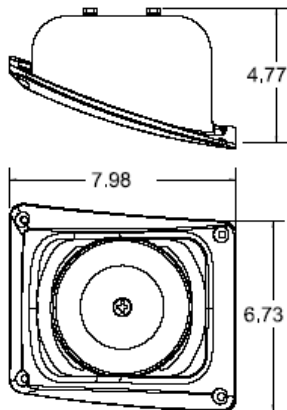


## SAD SAP4302

### Through-the-Bumper Mount Compact Speaker 99-05 Ford F Series SD

- 1) Finish: Ball-burnished with cone and flange polished.
- 2) Important: See specs for matching electrical components and requirements.
- 3) Designed to mount through the bumper on 1999-05 Ford F Series SD

## SAD4307 SAP4307

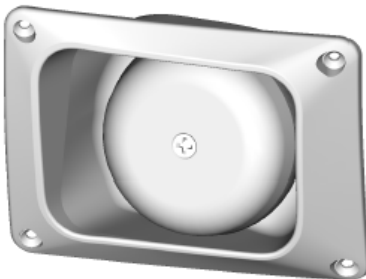
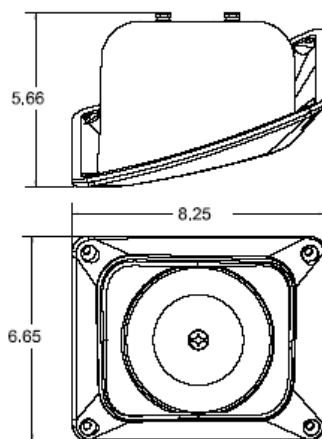


## SAD SAP4307

### Compact Speaker, Driver, "TTB" Mount, 2002-05 International 4300-4400

- 1) Finish: Ball-burnished with cone and flange polished.
- 2) Important: See specs for matching electrical components and requirements.
- 3) Designed to mount through the bumper, 2002-05 International 4300-4400

## SAD4308 SAP4308

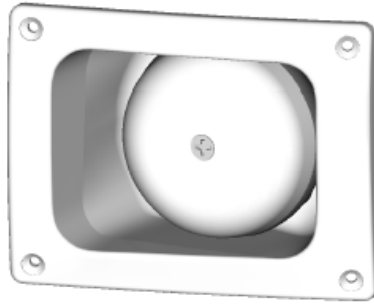
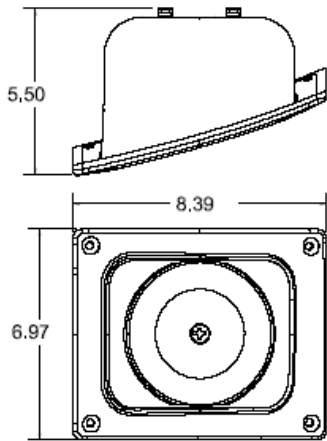


## SAD SAP4308

### Compact Speaker, Driver, "TTB" Mount, 2003-05 Chevy C4500

- 1) Finish: Ball-burnished with cone and flange polished.
- 2) Important: See specs for matching electrical components and requirements.
- 3) Designed to mount through the bumper, 2003-05 Chevy C4500

### SAD4309 SAP4309

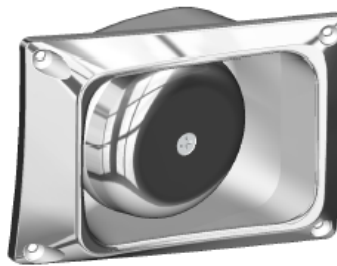
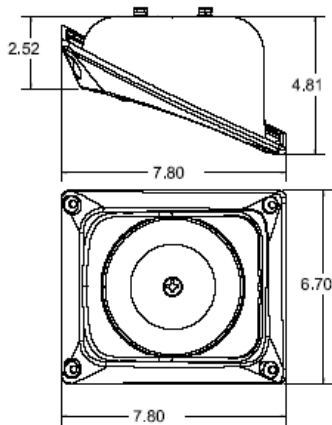


### SAD SAP4309

**Compact Speaker, Driver,  
"TTB" Mount, 2003-05 Ford  
E550 SD Van**

- 1) Finish: Ball-burnished with cone and flange polished.
- 2) Important: See specs for matching electrical components and requirements.
- 3) Designed to mount through the bumper, 2003-05 Ford E550 SD Van

### SAD4312 SAP4312

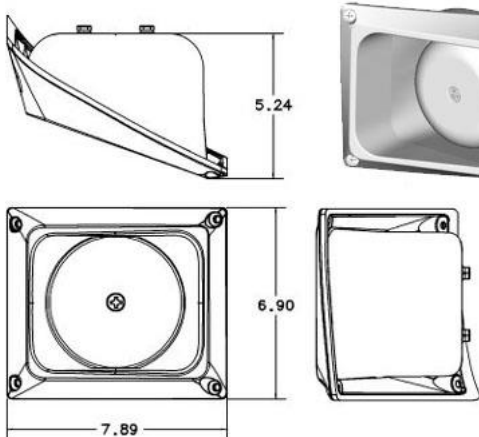


### SAD SAP4312

**Compact Speaker, Driver,  
"TTB" Mount, 2005 Ford  
F350 SD**

- 1) Finish: Ball-burnished with cone and flange polished.
- 2) Important: See specs for matching electrical components and requirements.
- 3) Designed to mount through the bumper, 2005 Ford F350 SD

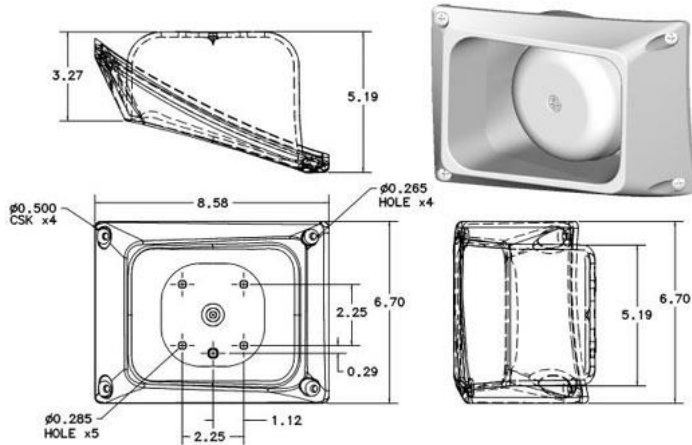
### SAD4314 SAP4314



**SAD SAP4314**  
**Compact Speaker,  
"Through-the-Bumper"  
Mount (2008 Ford F350 SD)**

- 1) Finish: Polished cone and polished exterior flange with interior ball-burnished.
- 2) SAD4314 Driver side  
SAP4314 Passenger side.

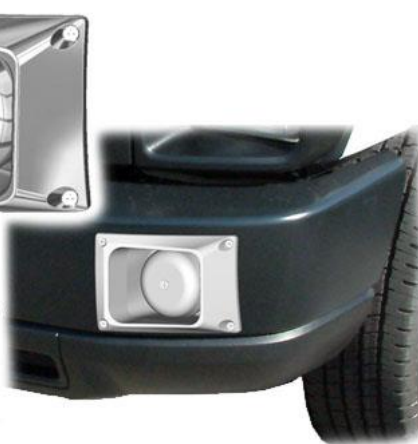
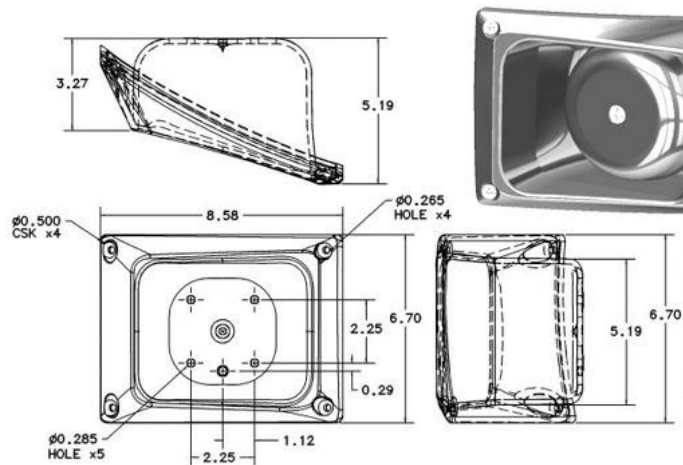
## SAD4318 SAP4318



### SAD SAP4318 Compact Speaker, (2008 International 4300 Maxx- Force DT - TTB Mount)

- 1) Finish: Polished cone and polished exterior flange with interior ball-burnished.
- 2) SAD4318 Driver side  
SAP4318 Passenger side.

## SAD4319 SAP4319



### SAD SAP4319 Compact Speaker, (2008 Ford E350 SD Van Chassis - TTB Mount)

- 1) Finish: Polished cone and polished exterior flange with interior ball-burnished.
- 2) SAD4319 Driver side  
SAP4319 Passenger side.

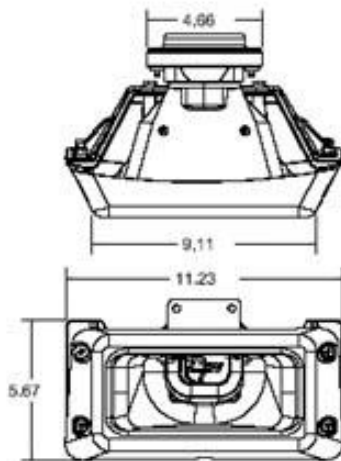
**SAD4321**



**SAD4321-8FSD-6B**  
Driver Side Speaker (2008 Ford F Series  
SD - BTB Mount - Fog Light opening)

**SA5000 Series**

**SA5403**



**SA5403**  
Siren Speaker,  
"Through-the-Bumper"  
Mount 2003-05 Freightliner  
M2 - pre-cut holes

- 1) Finish: Trim Bezel is polished, Cone, Horn and bracket are Wheel-a-brated,
- 2) Important: See specs for matching electrical components and requirements,
- 3) Siren Speaker, "Through-the-Bumper" Mount 2003-05 Freightliner M2 - pre-cut holes

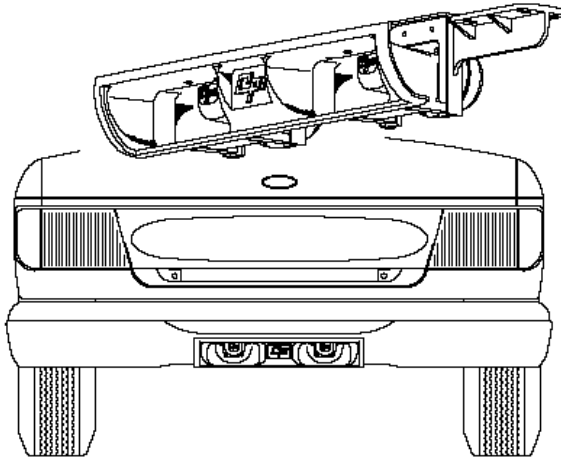
## SA5414



## SA5414 Siren Speaker Assembly, "Through-the-Bumper" Mount (International TerraStar)

1) Finish: Polished exterior flange with interior ball-burnished.

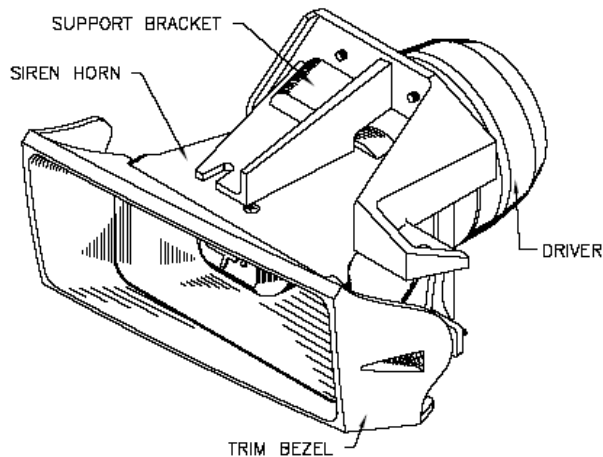
## SA5501



## SA5501 "Under-the-Bumper" Mount Siren Speaker

- 1) Finish: Trim Bezel is polished. Cone and Horn are Ball-burnished. Bracket is wheel-a-brated.
- 2) Important: See specs for matching electrical components and requirements.
- 3) Designed as an under the bumper mount on most heavy duty vehicles.

## SAD5401 SAP5401

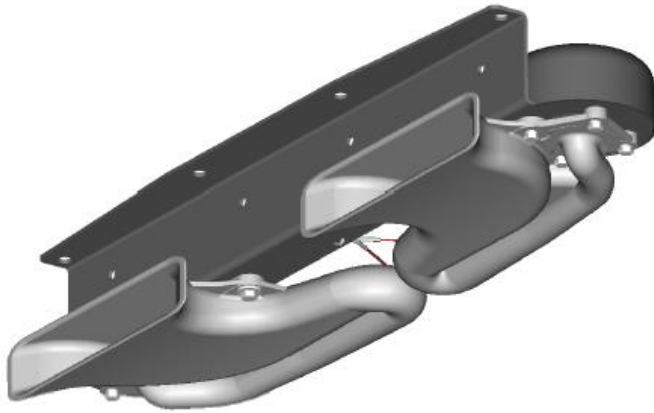


## SAD SAP5401 Under-the-Bumper Mount Siren Speaker

- 1) Finish: Trim Bezel, Cone, and Horn are Wheel-a-brated.
- 2) Important: See specs for matching electrical components and requirements.
- 3) Designed to mount under the bumper.

## SA6000 Series

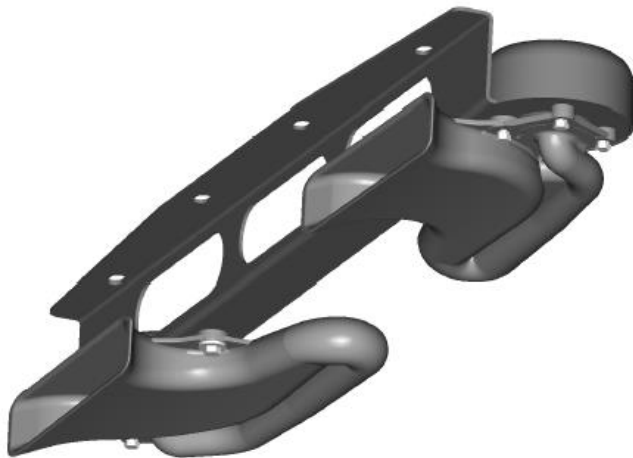
**SA6004**



### **SA6004** **Dual Siren Speakers** **"Under-the-Bumper" Mount** **'2000-04 Ford E350**

- 1) Finish: black powder-coated.
- 2) Important: See specs for matching electrical components and requirements.
- 3) Dual Siren Speakers "Under-the-Bumper" Mount '2000-04 Ford E350

**SA6011**



### **SA6011** **Dual Siren Speakers** **"Under-the-Bumper" Mount** **2005 Ford E350 Van**

- 1) Finish: black powder-coated.
- 2) Important; See specs for matching electrical components and requirements.
- 3) Dual Siren Speakers "Under-the-Bumper" Mount 2005 Ford E350 van w/ center bumper holes.



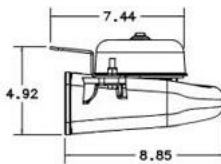
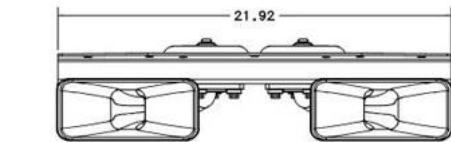
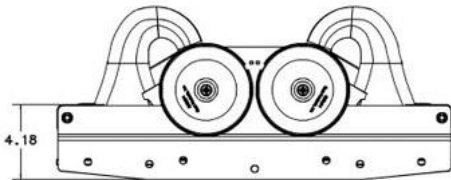
## SA6016



### **SA6016** Dual Siren Speaker, "Under-the-Bumper" Mount 2008 Ford E350 Van Chassis (Center Mount UTB)

1) Finish: Powder coated black.

## SA6113

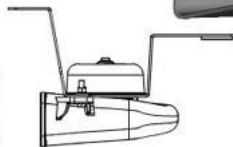
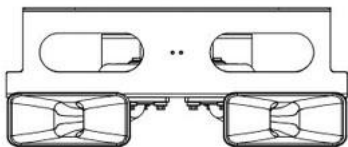
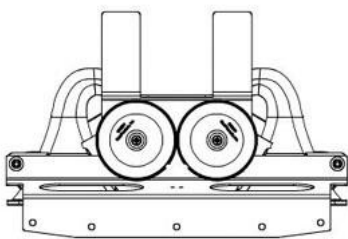


### **SA6113** Dual Siren Speaker, "Under-the-Bumper" 6100 Series Mount 2008 Ford F350 SD

1) Finish: Powder coated black.



## SA6114



### **SA6114** Dual Siren Speaker, "Under-the-Bumper" 6100 Series Mount 2007- 08 Chevy/GMC C3500 HD - new body style (Center Mount UTB)

1) Finish: Powder coated black.





SA6117



**SA6117-15FTC-6B**  
**Dual Siren Speaker Each,**  
**"Under-the-Bumper" Mount**  
**2015 Ford Transit Cargo Van**  
**(Center Mount UTB)**

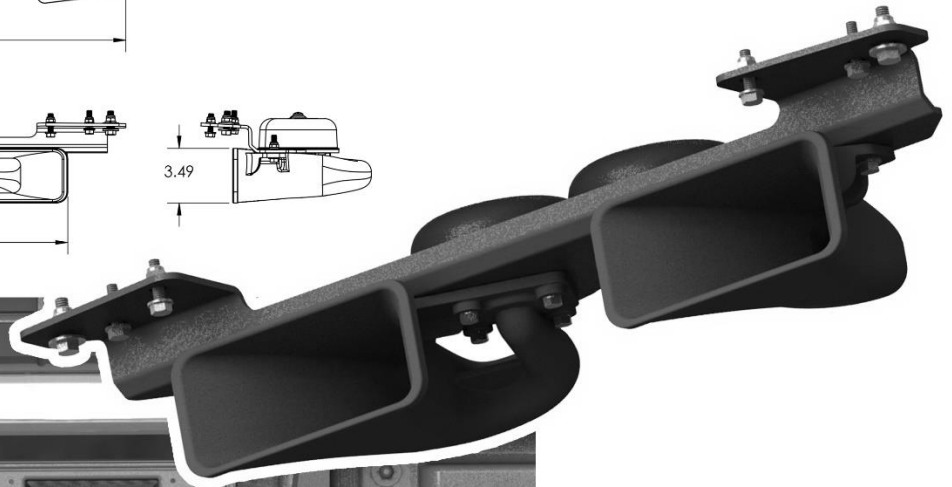
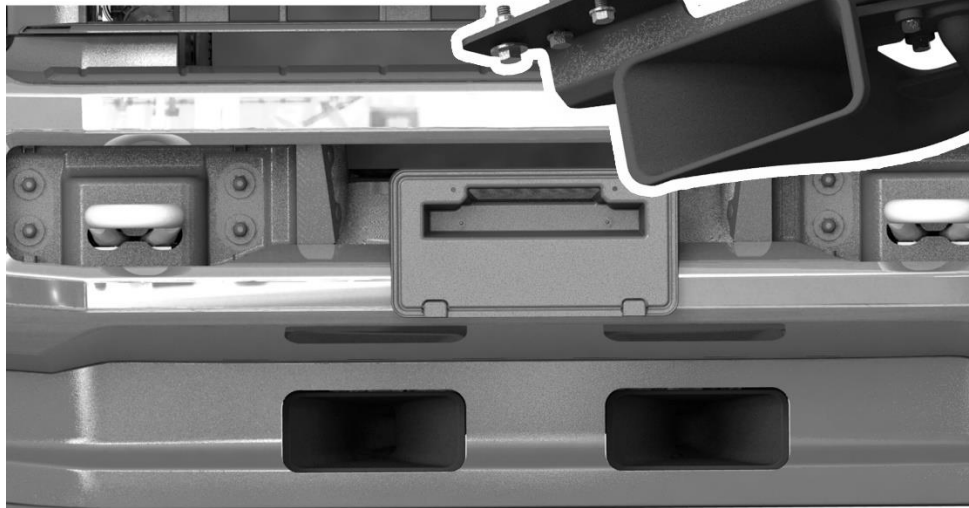
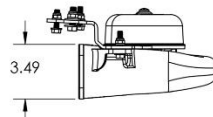
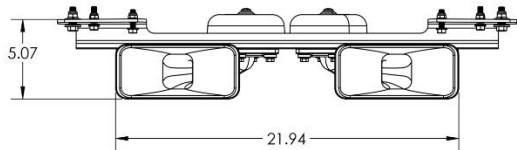
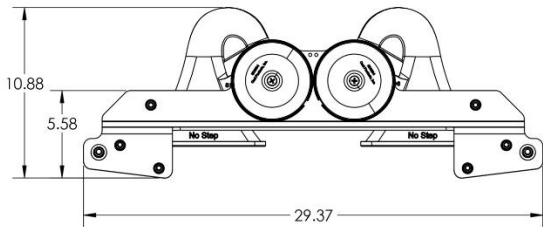
1) Finish: Black powder-coated



**SA6118**

# **SA6118-17FSD-6B**

**SA6100 Series UTB 2017 Ford F Series SD**



1. Dual Siren Speaker Each, "Under-the-Bumper" Mount 2017 Ford F450 SD (Center Mount UTB)
2. Finish: powder coated black.

**SA6300**

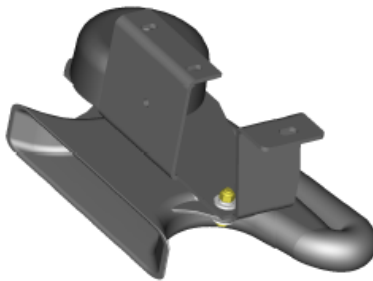
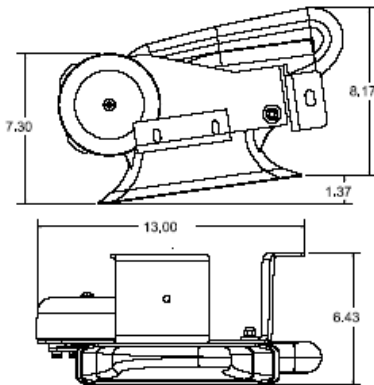
**SA6300**  
Vertical siren speaker



**SAD6007 SAP6007**

**SAD SAP6007**

**Under-the-Bumper  
Mount Siren  
Speaker 2004-05  
Ford E350**



- 1) Finish: powder-coated black or wheel-a-brated.
- 2) Important: See specs for matching electrical components and requirements.
- 3) Designed to mount under the bumper 2004-05 Ford E350

## SAD6301 SAP6301

- 1) Finish: powder coated black
- 2) For "Through-the-Bumper" Mount 2008-11 Sprinter.

## SAD SADP6301 Siren Speaker Assembly, "Through-the-Bumper" Mount 2008-11 Sprinter4300



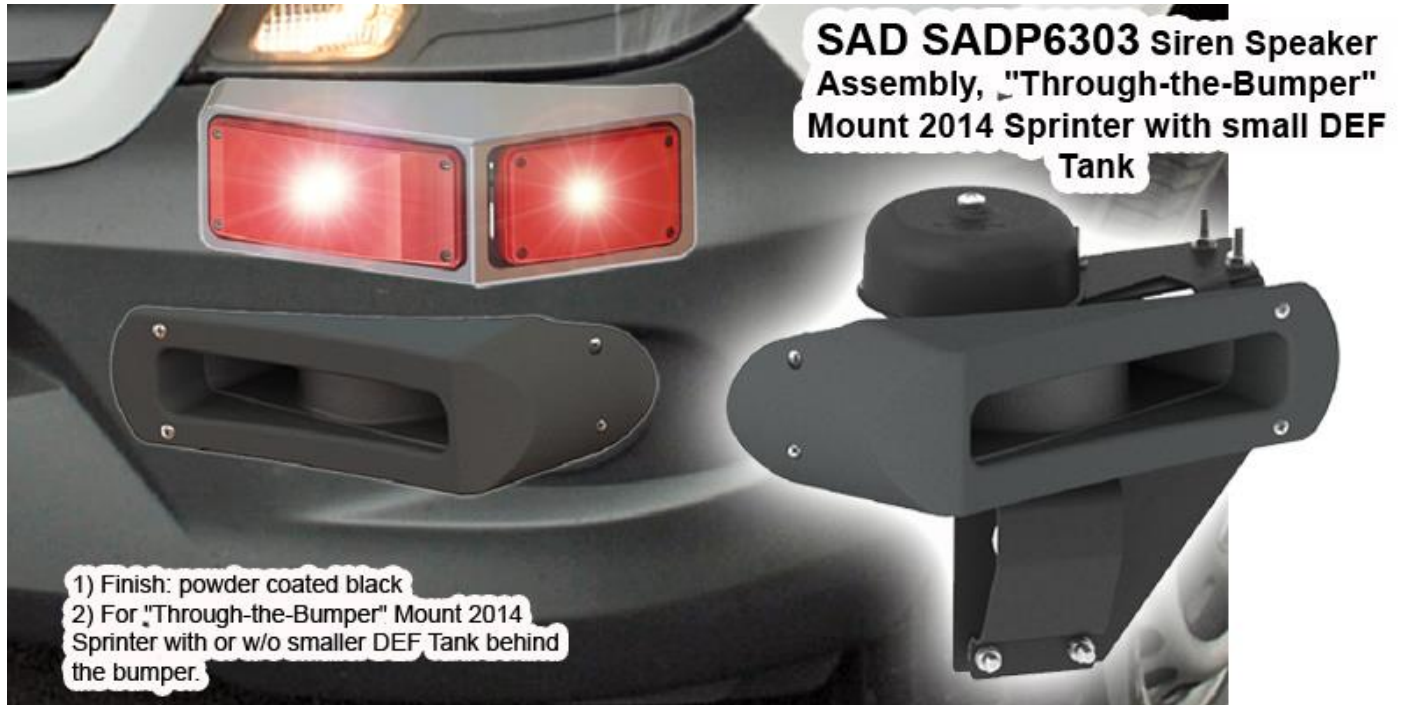
## SAD6302 SAP6302

- 1) Finish: powder coated black
- 2) For "Through-the-Bumper" Mount 2008-11 Sprinter with the smaller DEF Tank option.

## SAD SADP6302 Siren Speaker Assembly, "Through-the-Bumper" Mount 2008-11 Sprinter4300 with small DEF Tank



## SAD6303 SAP6303



- 1) Finish: powder coated black
- 2) For "Through-the-Bumper" Mount 2014 Sprinter with or w/o smaller DEF Tank behind the bumper.

## SA7000 Series

### SA7001



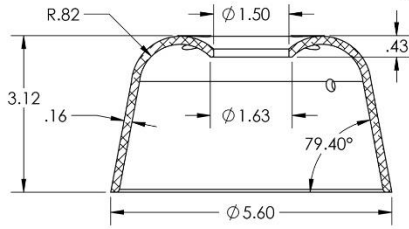
### SA7001 Round Siren Speaker

- 1) Finish: Light Gray or Wheel-a-brated. Cone finish is light gray (Wheel-a-brated), painted, or polished.
- 2) Important: See specs for matching electrical components and requirements.

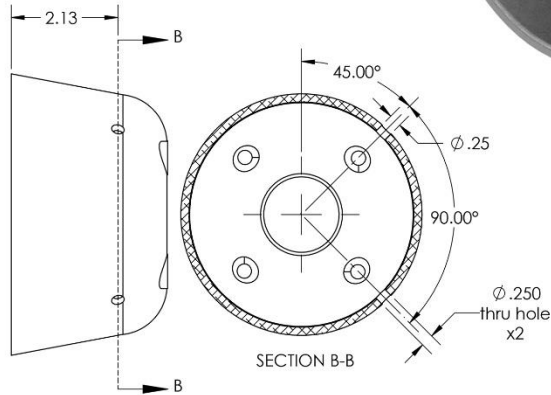
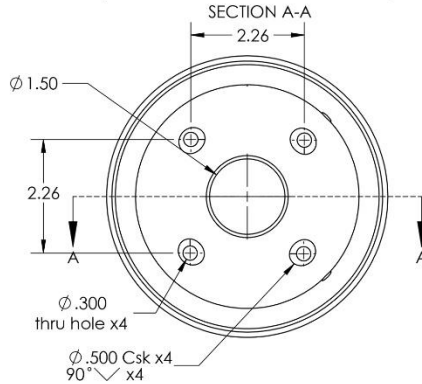
SA7001-A

# SA7001-1-A

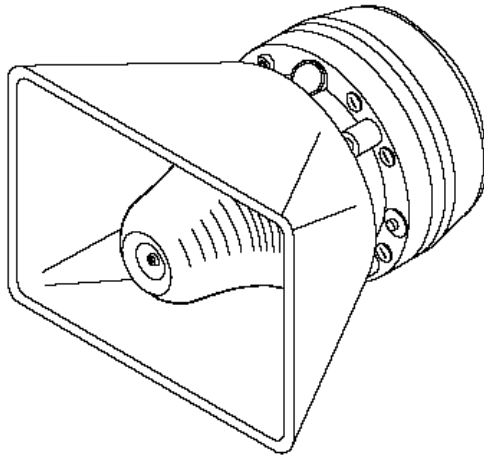
Siren Speaker, Round Cast Bell  
Housing w/ 2 side mounting holes



1. Finish: Polished exterior  
with ball-burnished interior.



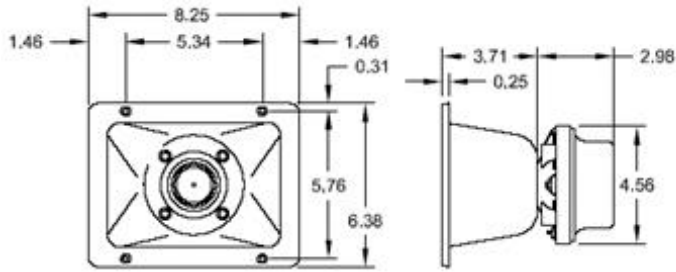
SA7003



## SA7003 Rectangular Siren Speaker

- 1) Finish: Light Gray or Wheel-a-brated. Cone finish is light gray (Wheel-a-brated), painted or polished.
- 2) Important: See specs for matching electrical components and requirements.

## SA7004

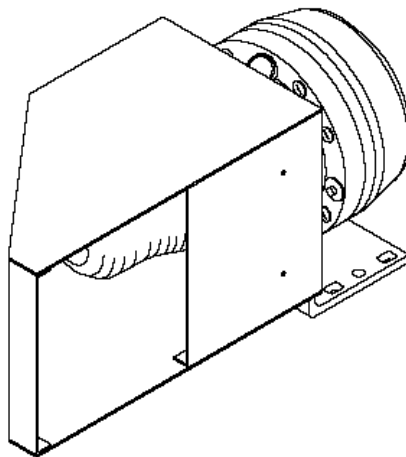


## SA7004 Rectangular Siren Speaker with Mounting Flange

- 1) Finish: Light Gray or Wheel-a-brated. Cone finish is light gray (Wheel-a-brated), painted or polished.
- 2) Important: See specs for matching electrical components and requirements.



## SA7006



## SA7006 Gray Metal Concealed Siren Speaker

- 1) Finish: Gray Metal.
- 2) Important: See specs for matching electrical components and requirements.
- 3) Concealable, for many applications including behind-the-grille mounts.

## SA7007



## SA7007 ABS Rectangular Siren Speaker

- 1) Finish: Black
- 2) Important: See specs for matching electrical components and requirements.
- 3) Industry standard lightbar speaker.
- 4) Lightbar, Grille, or Push-bar mount.

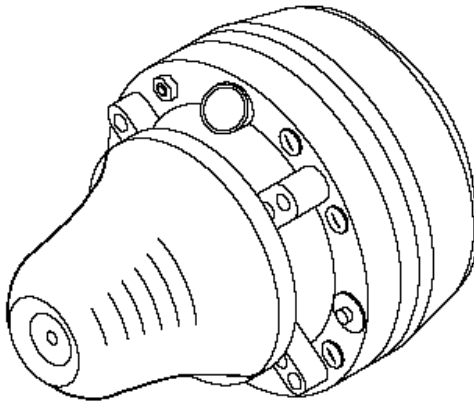
**SA7010**



**SA7010**  
**Siren Speaker for**  
**International C4700**  
**Bumper Holes**

- 1) Finish: Ball-burnished.
- 2) Important: See specs for matching electrical components and requirements.
- 3) Mounts to the 4" x 6" holes found in the chrome plated bumpers on the International C4700 Heavy Duty Trucks.

**SA7011**

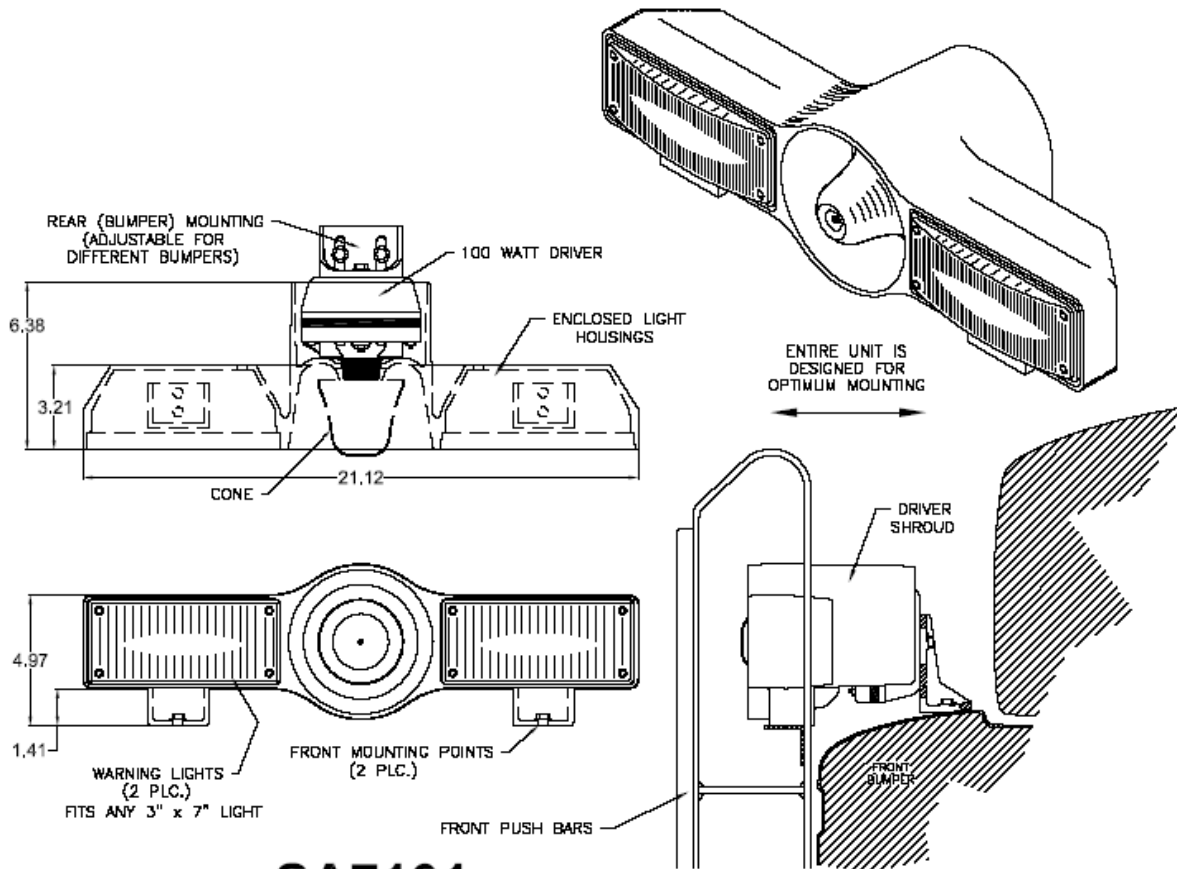


**SA7011**  
**Siren Speaker**

- 1) Finish: Black Powder-Coated.
- 2) Important: See specs for matching electrical components and requirements.
- 3) Speaker Driver and Short screw-on tip only.



# SA7101

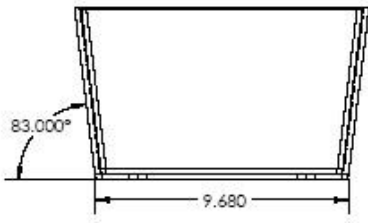


## SA7101

### Push-Bar Mount Siren Speaker for 3" x 7" Warning Lights

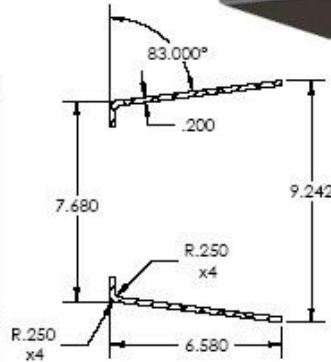
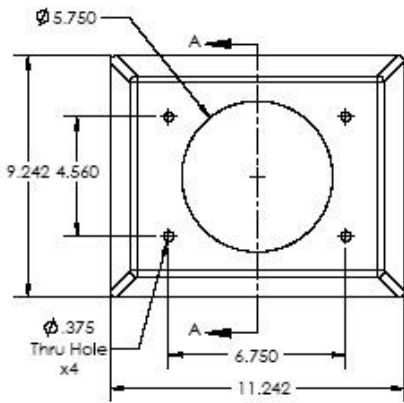
- 1) Black powder coated or Wheel-a-brated (Light Gray).
- 2) Important: See Specs for matching electrical components and requirements.
- 3) Application: Mounts to the Push-bar between the uprights and uses an optional adjustable bracket for supporting the driver weight (to help eliminate vibration). Different brackets for other vehicle applications can be made upon request.

**SH0001**



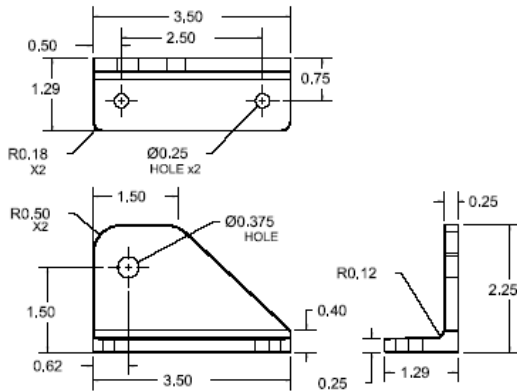
**SH0001**  
**Siren Box Casting**

1) Finish: Exterior Surface Polished



## Steps

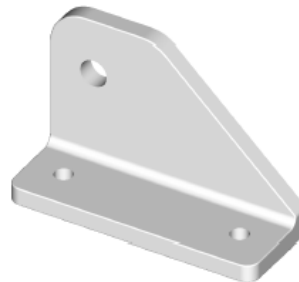
**SP0003**



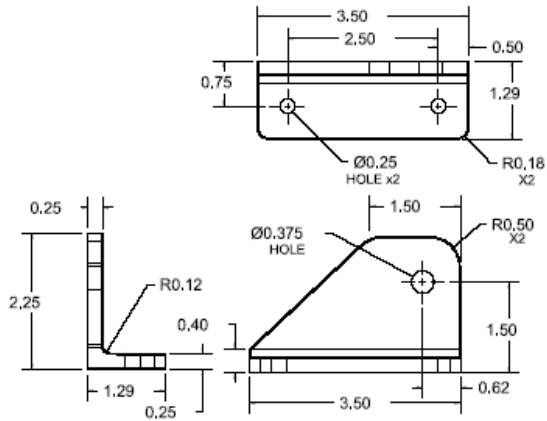
**SP0003**

**Lefthand Step Bracket**

1) Finish: ball-burnished.



## SP0004



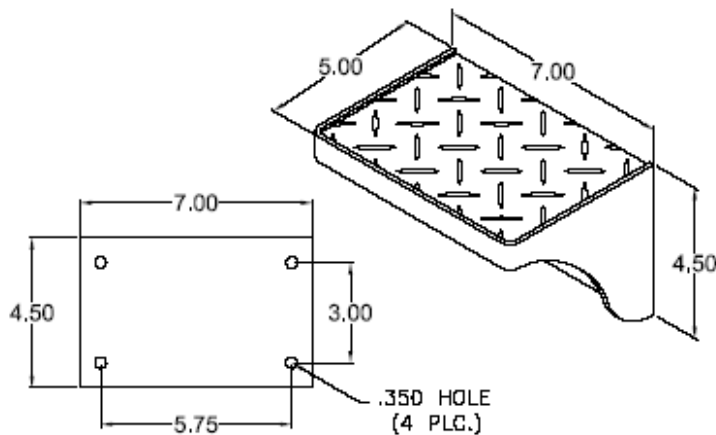
## SP0004

### Righthand Step Bracket

1) Finish: ball-burnished.



## SP2001

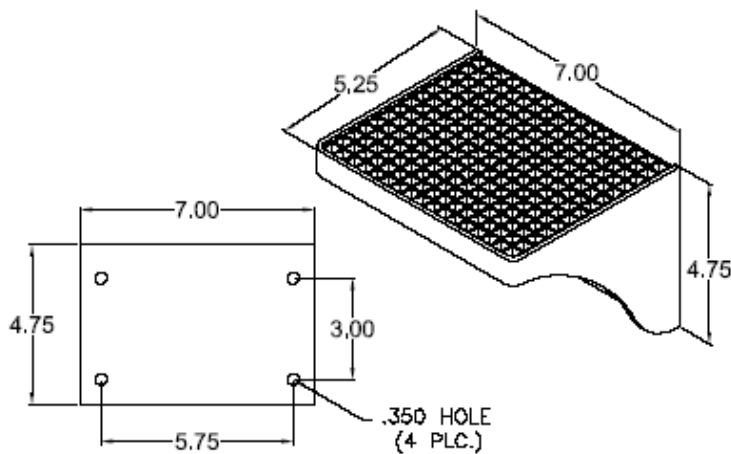


## SP2001

### Surface Mount Step

1) Finish: All outside surfaces are polished. Inside is bead-blasted.

## SP2002

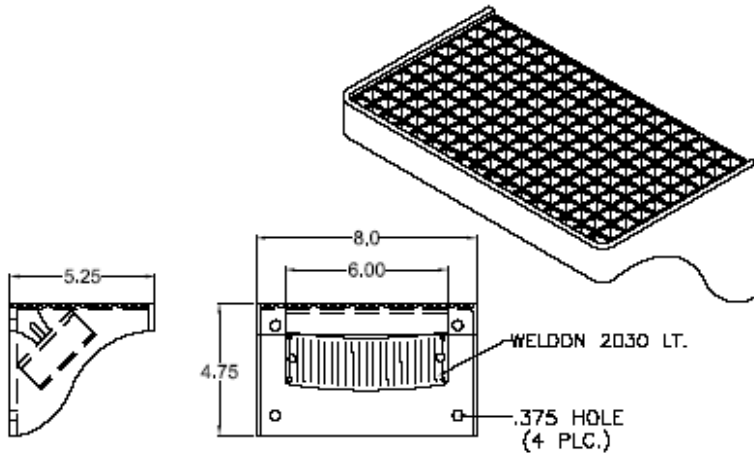


## SP2002

### Surface Mount Step with Pyramid Tread

1) Finish: All outside surfaces are polished. Inside is bead-blasted.

## SP2003

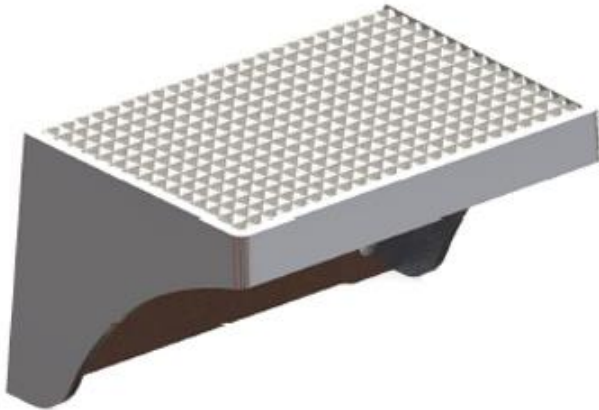


## SP2003

### Surface Mount Step with Pyramid Tread

- 1) Finish: All outside surfaces are polished. Inside is bead-blasted.
- 2) Designed to use a Weldon 2030 clear light mounted at a 45° angle (optional).

## SP2003-B



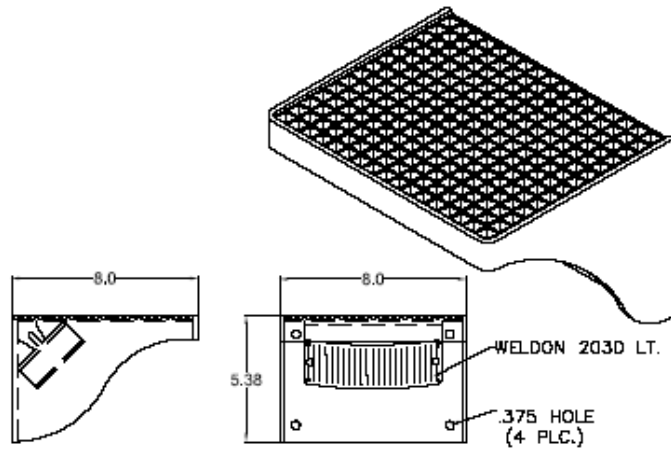
## SP2003-B

### Surface Mount Step (5-1/4" x 8", Pyramid) w/ LED Light

- 1) Finish: Exterior surfaces are polished.  
Inside is ball-burnished
- 2) Supplied w/ LED light (WL0501 type),  
SP0007 adapter casting for LED,  
and mounting screws.



## SP2004



## SP2004

### Surface Mount Step w/ Light with Pyramid Tread

- 1) Finish: All outside surfaces are polished. Inside is bead-blasted.
- 2) Designed to use a Weldon 2030 clear light mounted at a 45° angle (optional).
- 3) Designed to meet new 1901-20 Specs.

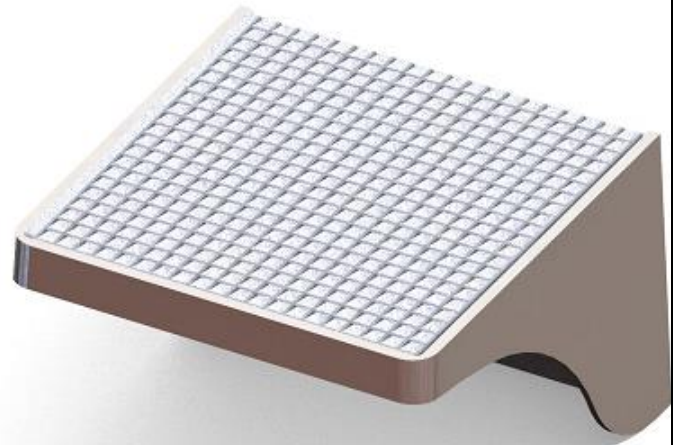
## SP2004-D



## SP2004-D

### Surface Mount Step (8" x 8", Pyramid) w/ LED Light

- 1) Finish: Exterior surfaces are polished. Inside is ball-burnished
- 2) Supplied w/ LED light (WL0501 type), SP0007 adapter casting for LED, and mounting screws.

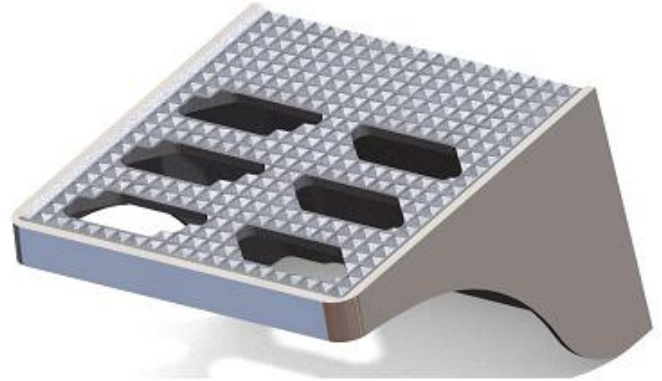


## SP2004-TB



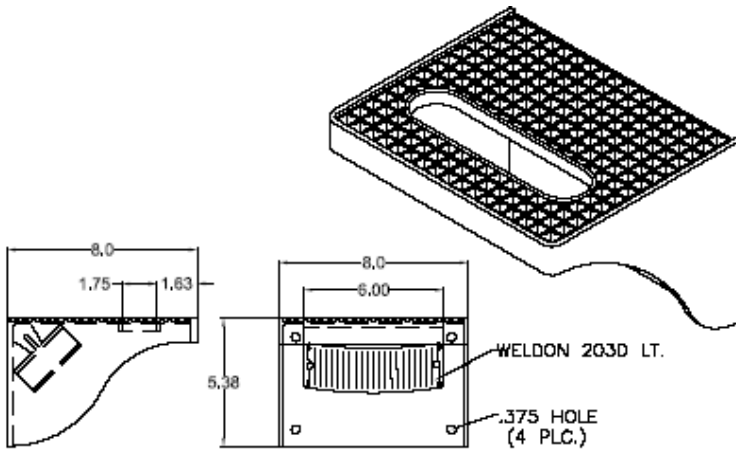
## SP2004-TB

**Surface Mount Step  
(8" x 8", Pyramid w/ through holes)  
w/ LED Light**



- 1) Finish: Exterior surfaces are polished.  
Inside is ball-burnished
- 2) Supplied w/ LED light (WL0501 type),  
SP0007 adapter casting for LED,  
and mounting screws.

## SP2006



## SP2006

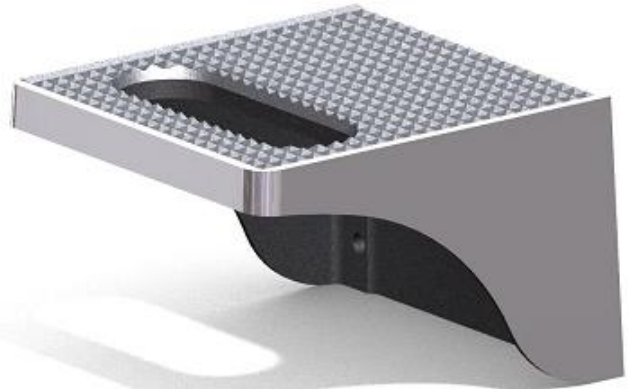
### Surface Mount Step w/ Light with Pyramid Tread & Handhold

- 1) Finish: All outside surfaces are polished. Inside is bead-blasted.
- 2) Designed to use a Weldon 2030 clear light mounted at a 45° angle (optional).
- 3) Designed to meet new  
**1901-20 Specs.**

## SP2006-B

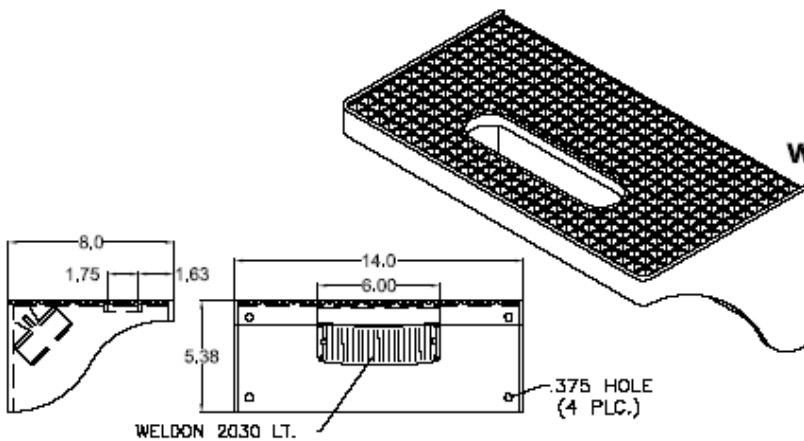


## SP2006-B Surface Mount Step (8"x 8", Pyramid w/ Handhold) w/ LED Light



- 1) Finish: Exterior surfaces are polished. Inside is ball-burnished
- 2) Supplied w/ LED light (WL0501 type), SP0007 adapter casting for LED, and mounting screws.

## SP2007



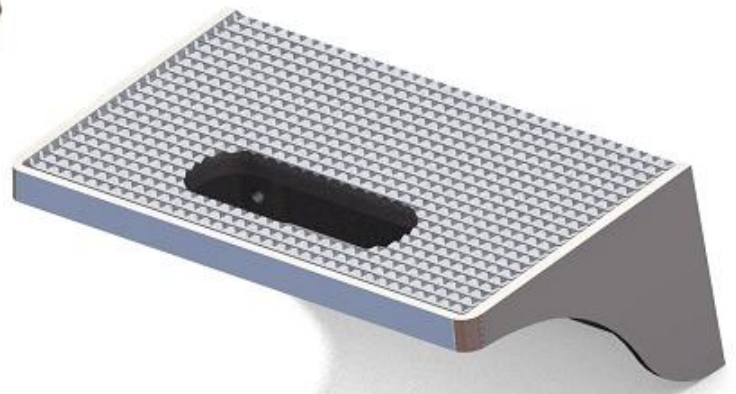
## SP2007 Surface Mount Step w/ Light with Pyramid Tread & Handhold

- 1) Finish: All outside surfaces are polished. Inside is bead-blasted.
- 2) Designed to use a Weldon 2030 clear light mounted at a 45° angle (optional).
- 3) Designed to meet new 1901-20 Specs.

## SP2007-B

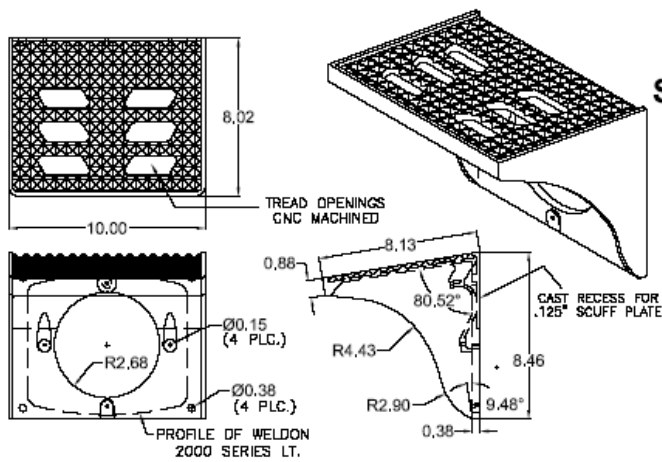


## SP2007-B Surface Mount Step (8"x 14", Pyramid w/ Handhold) w/ LED Light



- 1) Finish: Exterior surfaces are polished. Inside is ball-burnished
- 2) Supplied w/ LED light (WL0501 type), SP0007 adapter casting for LED, and mounting screws.

## SP2008

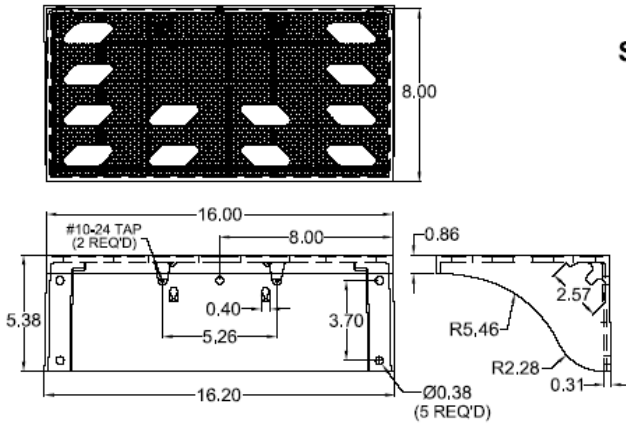


## SP2008 Surface Mount Step w/ Light with Pyramid Tread

- 1) Finish: All outside surfaces are polished. Inside is bead-blasted.
- 2) Designed to use a Weldon 2000 Series light mounted at a 0° angle (vehicle body is mounted at a 9.48° angle).
- 3) Polished scuff plate available.



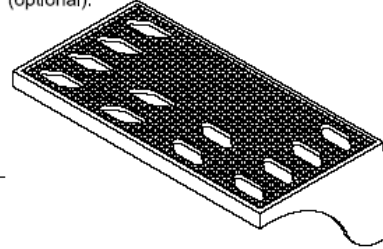
## SP2009



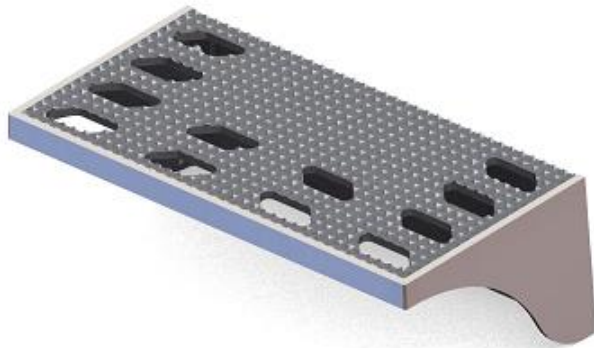
## SP2009

### Surface Mount Step w/ Light with Pyramid Tread

- 1) Finish: All outside surfaces are polished. Inside is bead-blasted.
- 2) Designed to use a Weldon 2030 Series light mounted at a 45° angle (optional).



## SP2009-B



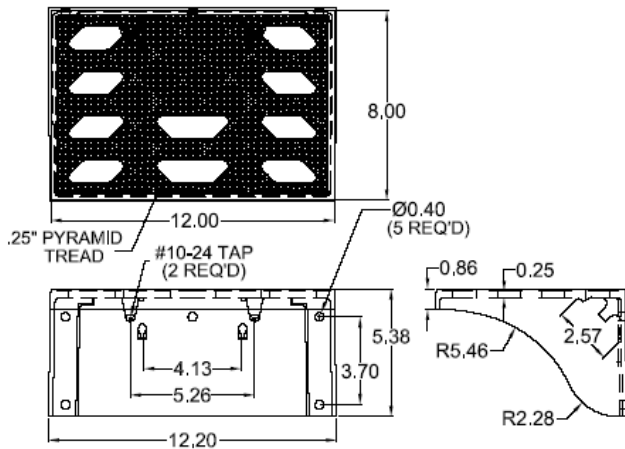
## SP2009-B

### Surface Mount Step (8" x 16", Pyramid w/ through holes) w/ LED Light

- 1) Finish: Exterior surfaces are polished. Inside is ball-burnished
- 2) Supplied w/ LED light (WL0501 type), SP0007 adapter casting for LED, and mounting screws.



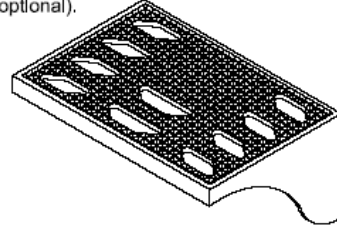
## SP2010



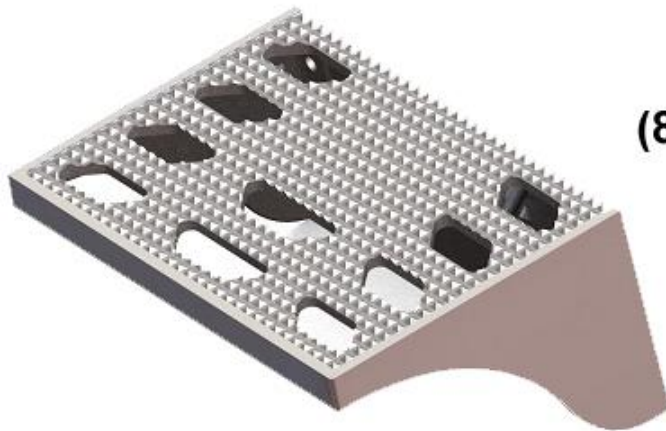
## SP2010

### Surface Mount Step w/ Light with Pyramid Tread

- 1) Finish: All outside surfaces are polished, Inside is bead-blasted.
- 2) Designed to use a Weldon 2030 Series light mounted at a 45° angle (optional).



## SP2010-B



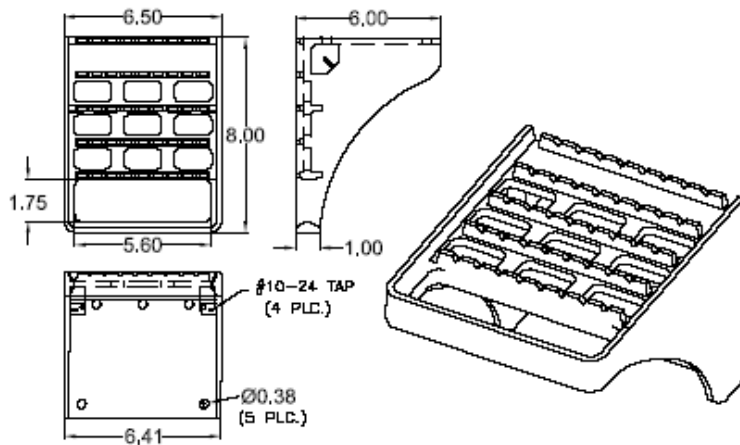
## SP2010-B

### Surface Mount Step (8" x 12", Pyramid w/ through holes) w/ LED Light

- 1) Finish: Exterior surfaces are polished.  
Inside is ball-burnished
- 2) Supplied w/ LED light (WL0501 type),  
SP0007 adapter casting for LED,  
and mounting screws.



## SP2011



## SP2011

### Surface Mount Step w/ Light with Raised Tread & Handhold

- 1) Finish: All outside surfaces are polished.
- 2) Designed to mount a Weldon 2030 clear light mounted at a 45° angle (optional).
- 3) Designed to meet new 1901-20 specs.
- 4) Raised "Open" tread design.

## SP2011-C



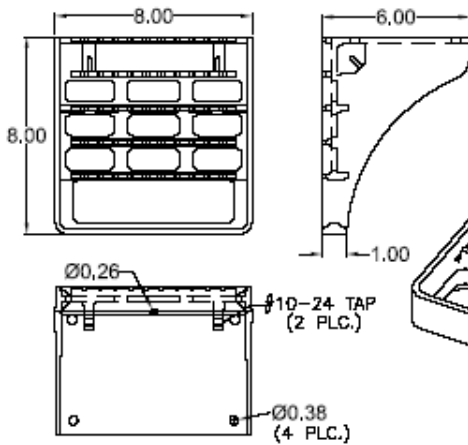
## SP2011-C

### Surface Mount Step (6-1/2" x 8", Raised w/ Handhold) w/ LED Light

- 1) Finish: Exterior surfaces are polished.  
Inside is ball-burnished
- 2) Supplied w/ LED light (WL0501 type),  
SP0007 adapter casting for LED,  
and mounting screws.



## SP2012

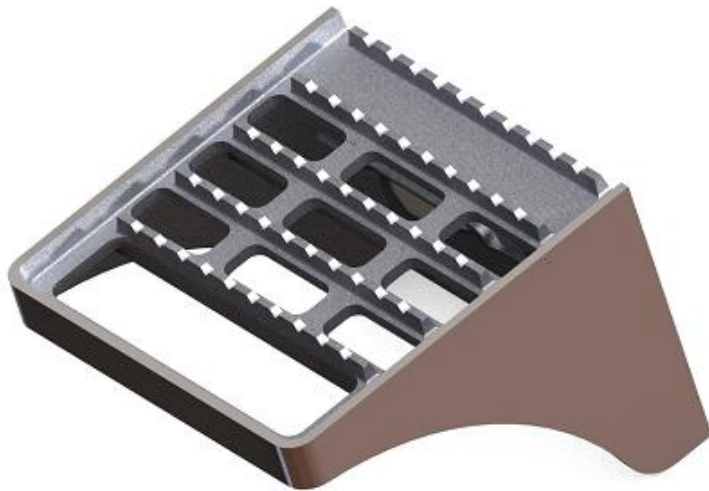


## SP2012

### Surface Mount Step w/ Light with Raised Tread & Handhold

- 1) Finish: All outside surfaces are polished.
- 2) Designed to mount a Weldon 2030 clear light mounted at a 45° angle (optional).
- 3) Designed to meet new 1901-20 specs.
- 4) Raised "Open" tread design.

## SP2012-D



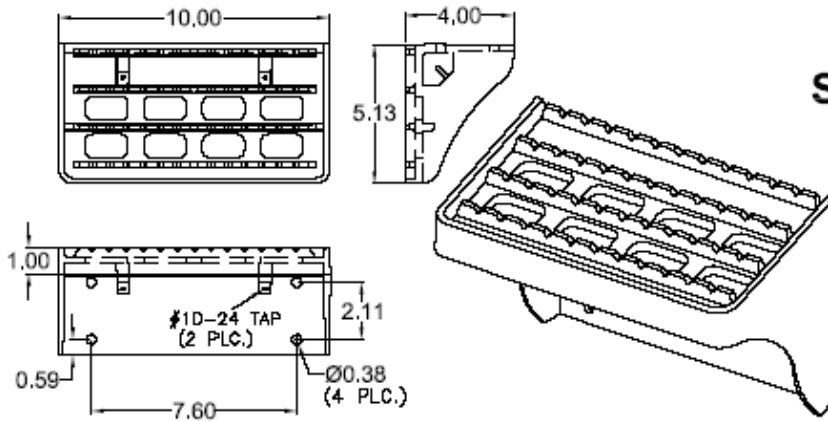
## SP2012-D

### Surface Mount Step (8" x 8", Raised w/ Handhold) w/ LED Light

- 1) Finish: Exterior surfaces are polished.  
Inside is ball-burnished
- 2) Supplied w/ LED light (WL0501 type),  
SP0007 adapter casting for LED,  
and mounting screws.



## SP2013



## SP2013

### Surface Mount Step w/ Light with Raised Tread

- 1) Finish; All outside surfaces are polished.
- 2) Designed to mount a Weldon 2030 clear light mounted at a 45° angle (optional).
- 3) Raised "Open" tread design.

## SP2013-B



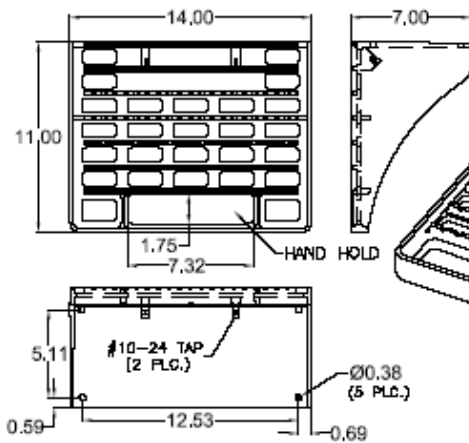
## SP2013-B

### Surface Mount Step (5-1/8" x 10", Raised ) w/ LED Light

- 1) Finish: Exterior surfaces are polished.  
Inside is ball-burnished
- 2) Supplied w/ LED light (WL0501 type),  
SP0007 adapter casting for LED,  
and mounting screws.



## SP2014



## SP2014

### Surface Mount Step w/ Light with Raised Tread & Handhold

- 1) Finish: All outside surfaces are polished.
- 2) Designed to mount a Weldon 2030 clear light mounted at a 45° angle (optional).
- 3) Designed to meet new 1901-20 specs.
- 4) Raised "Open" tread design.

## SP2014-B



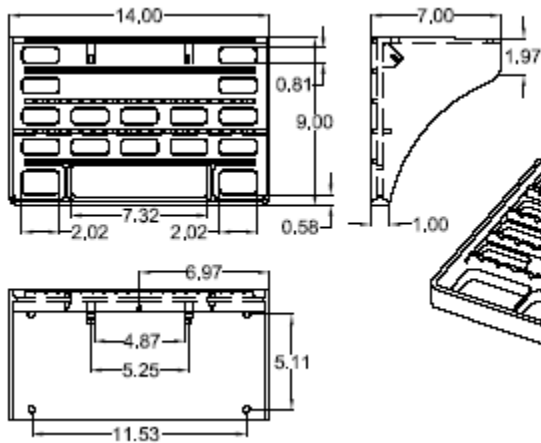
## SP2014-B

### Surface Mount Step (11" x 14", Raised w/ Handhold ) w/ LED Light

- 1) Finish: Exterior surfaces are polished. Inside is ball-burnished
- 2) Supplied w/ LED light (WL0501 type), SP0007 adapter casting for LED, and mounting screws.



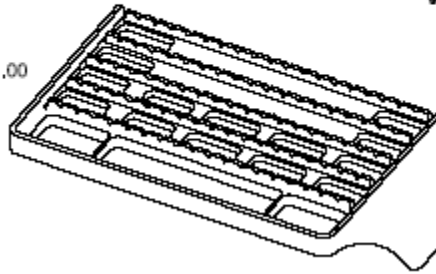
## SP2016



## SP2016

### Surface Mount Step w/ Light with Raised Tread & Handhold

- 1) Finish: All outside surfaces are polished.
- 2) Designed to use a Weldon 2030 clear light mounted at a 45° angle (optional).
- 3) Raised "Open" tread design.



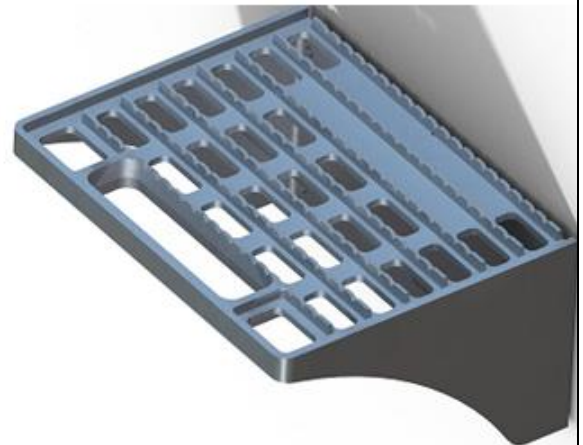
## SP2016-B



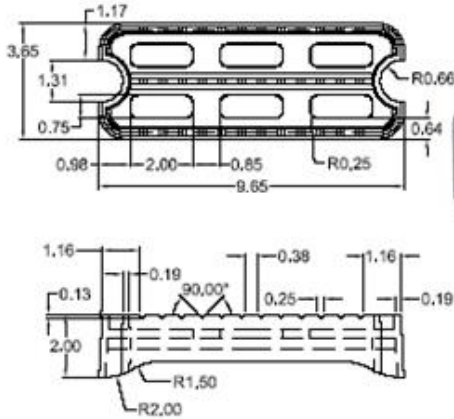
## SP2016-B

### Surface Mount Step (8" x 14", Raised w/ Handhold ) w/ LED Light

- 1) Finish: Exterior surfaces are polished.  
Inside is ball-burnished
- 2) Supplied w/ LED light (WL0501 type),  
SP0007 adapter casting for LED,  
and mounting screws.



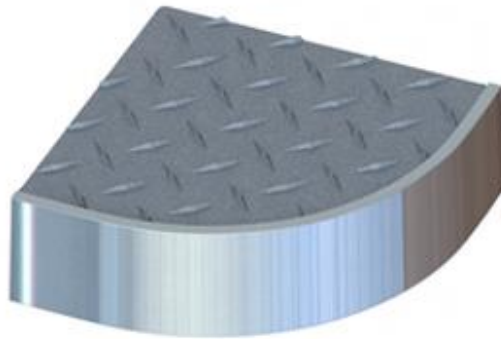
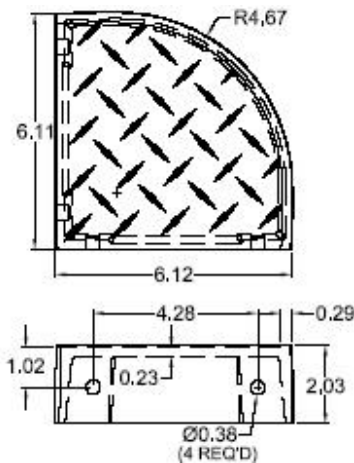
## SP2017



## SP2017 Rear Ladder Step

- 1) Finish: All outside surfaces are polished.
- 2) Raised "Open" tread design.

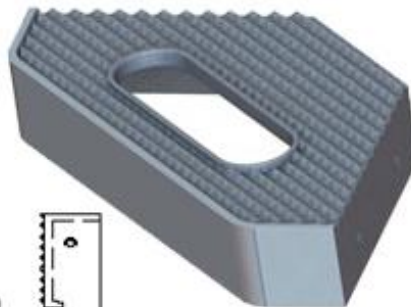
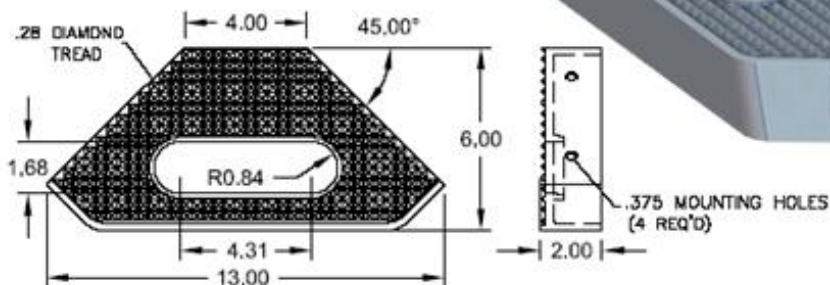
## SP2018



## SP2018 Inside Corner Step

- 1) Finish: All outside surfaces are polished.

## SP2023

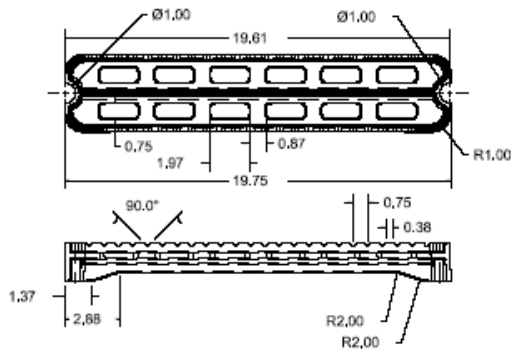


## SP2023 Inside Corner Step with Hand-Hold

- 1) Finish: All outside surfaces are polished.



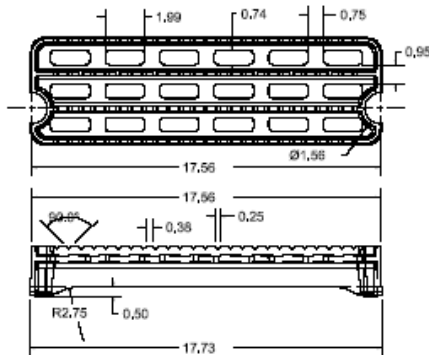
## SP2024



## SP2024 Ladder Step w/ Raised Tread

1) Finish: ball-burnished

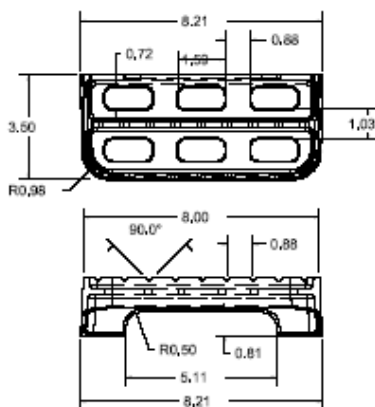
## SP2025



## SP2025 Ladder Step w/ Raised Tread

1) Finish: wheel-a-brated

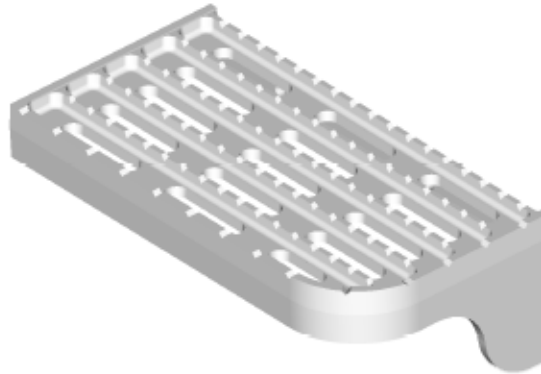
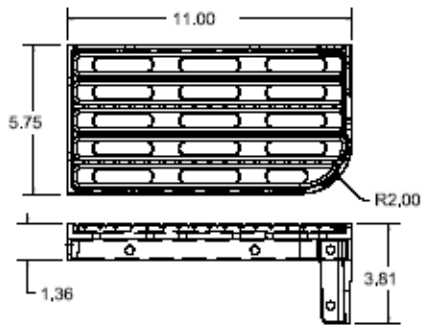
## SP2026



## SP2026 Wheel Well Step w/ Raised Tread

1) Finish: ball-burnished

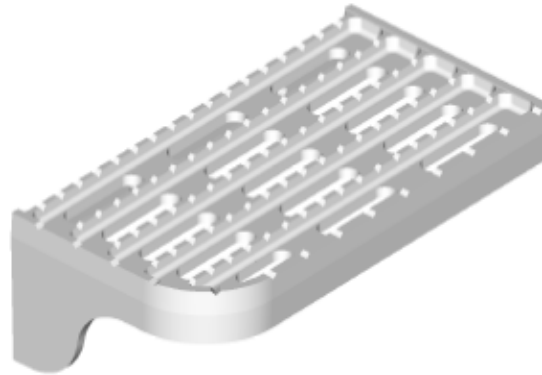
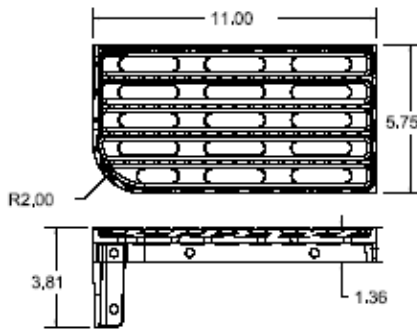
### SP2027



### SP2027 Left Inside Corner Step

1) Finish: outside surfaces are polished.

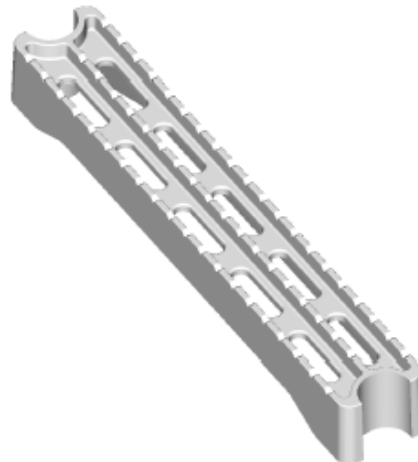
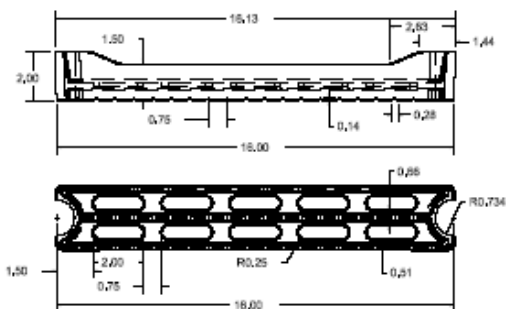
### SP2028



### SP2028 Right Inside Corner Step

1) Finish: outside surfaces are polished.

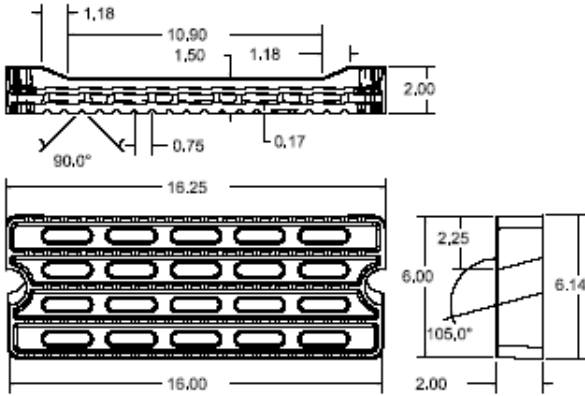
### SP2029



### SP2029 Ladder Step w/ Raised Tread

1) Finish: ball-burnished

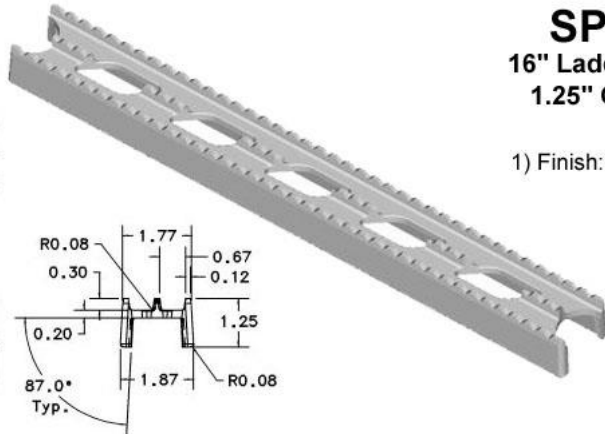
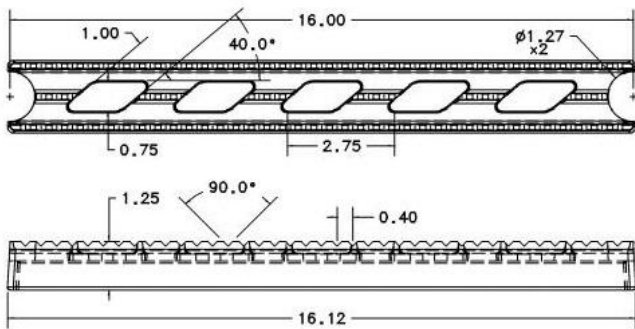
## SP2030



## SP2030 Ladder Step w/ Raised Tread

1) Finish: ball-burnished

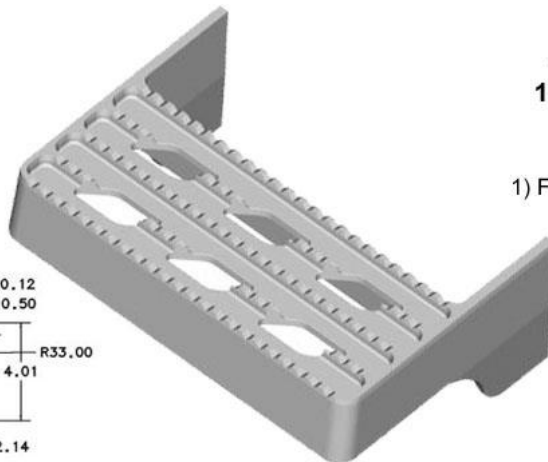
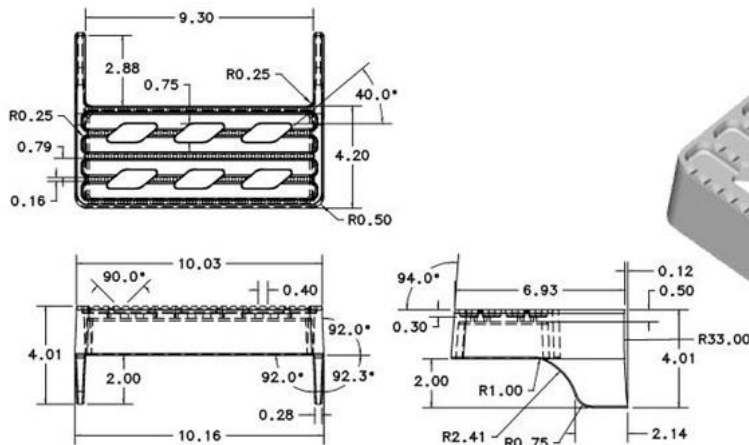
## SP2032



## SP2032 16" Ladder Step for 1.25" OD tubing

1) Finish: ball-burnished.

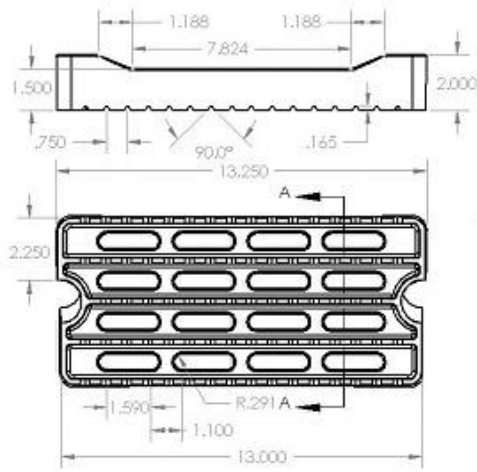
## SP2033



## SP2033 10" Tank Step - Rear R33"

1) Finish: ball-burnished.

## SP2034

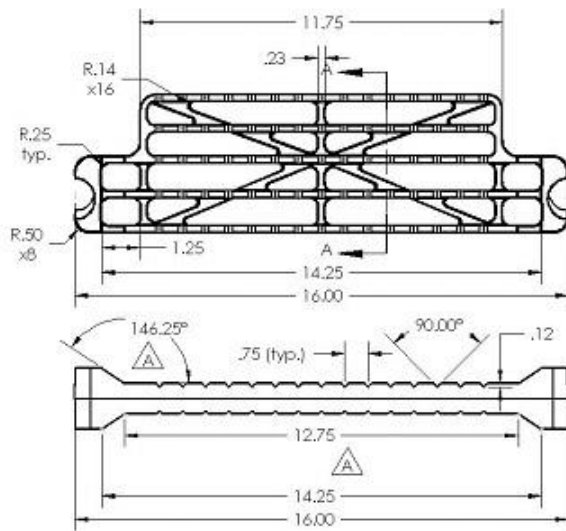


### SP2034-1 13" Ladder Step w/ Raised Tread. 15d. Angle

1)Finish: Ball-burnished w/ sides  
and end polished



## SP2035



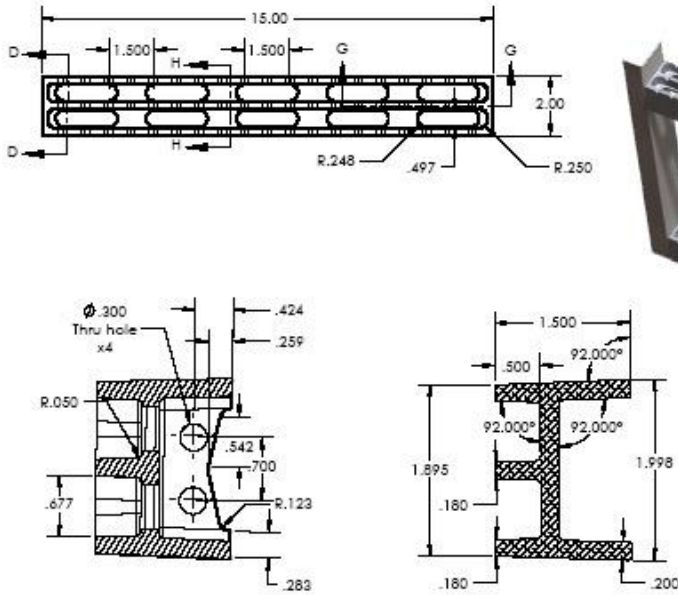
### SP2035-5 16" Ladder Step

1)Finish: Ball-burnished w/ sides  
and end polished

## SP2036

### SP2036-5 15" x 2.0" Ladder Step

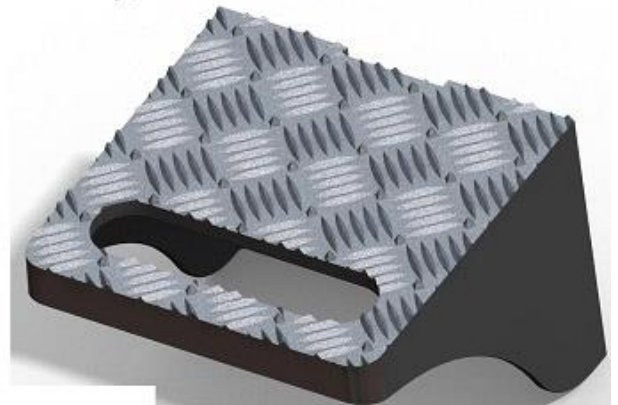
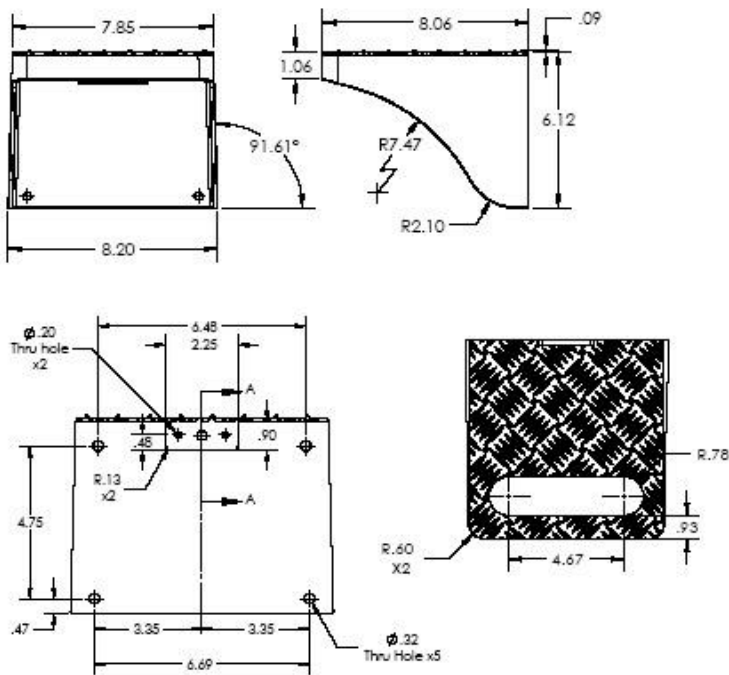
- 1) Finish: Ball-burnished.
- 2) For bolting to 2" wide extrusion or welding underneath



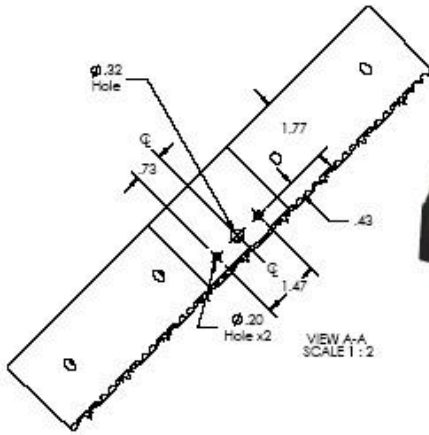
## SP2037

### SP2037-1 8" x 8" Surface Mount Step (LED Light Capable)

- 1) Finish: Ball-burnished casting w/ polished front band and sides
- 2) For use as a single step or w/ two AH0225 LED Lids for upper and lower illumination
- 3) Cast in hand-hold

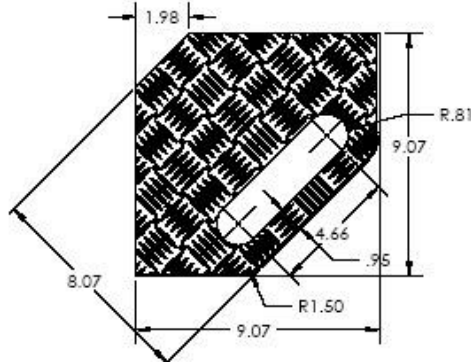
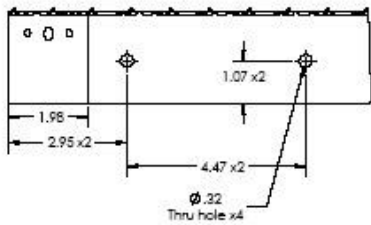


# SP2038

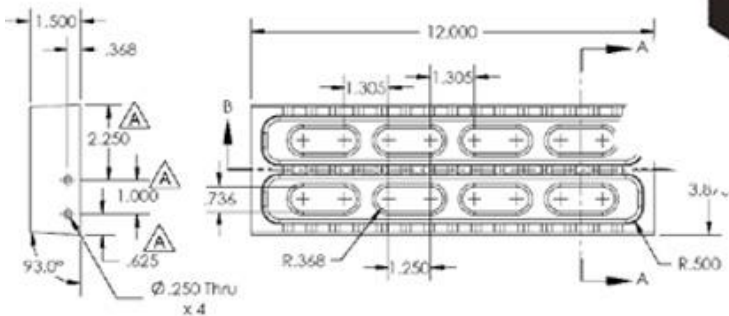
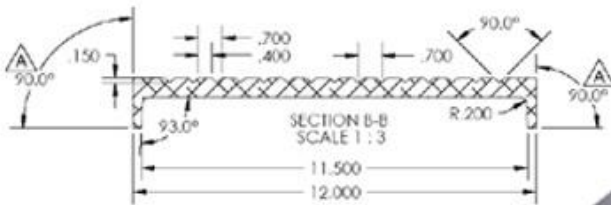


## SP2038-1 45d. Angle Surface Mount Step (LED Light Capable)

- 1) Finish: Ball-burnished casting w/ polished front band and sides
- 2) For use as a single step or w/ two AH0225 LED Lids for upper and lower illumination
- 3) Cast in hand-hold



# SP2041



## SP2041-5 12.00" x 3.875" Ladder Step

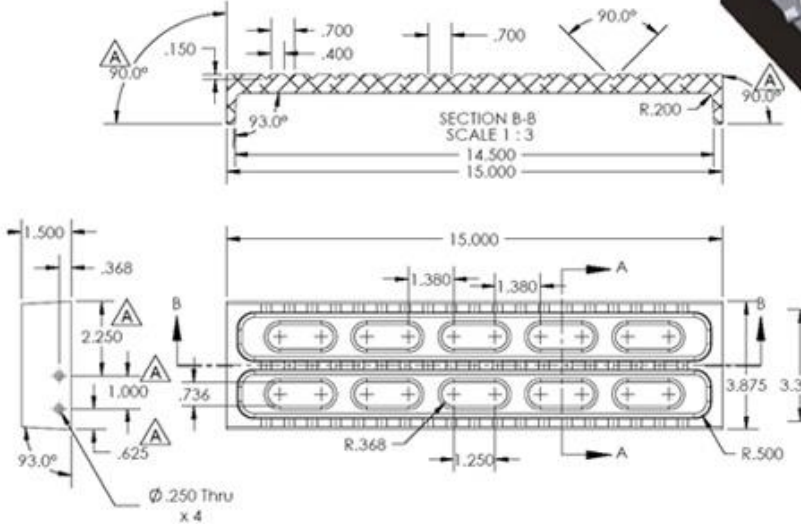
- 1) Finish: Ball-burnished.
- 2) For bolting or welding underneath



**SP2042**

**SP2042-5**  
**15.00" x 3.875" Ladder Step**

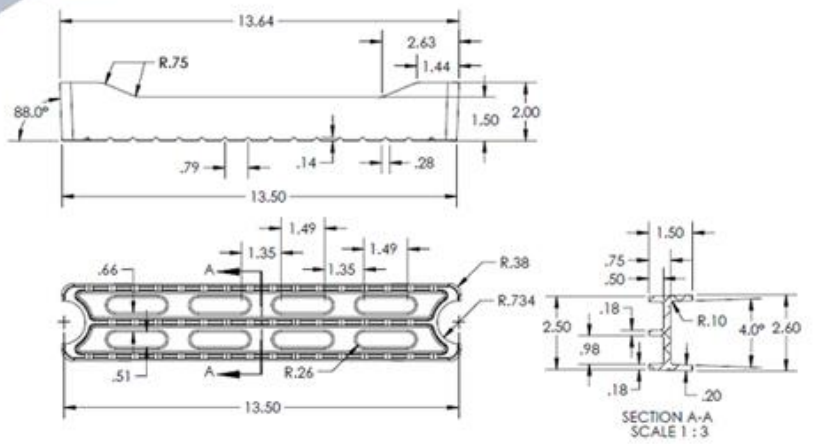
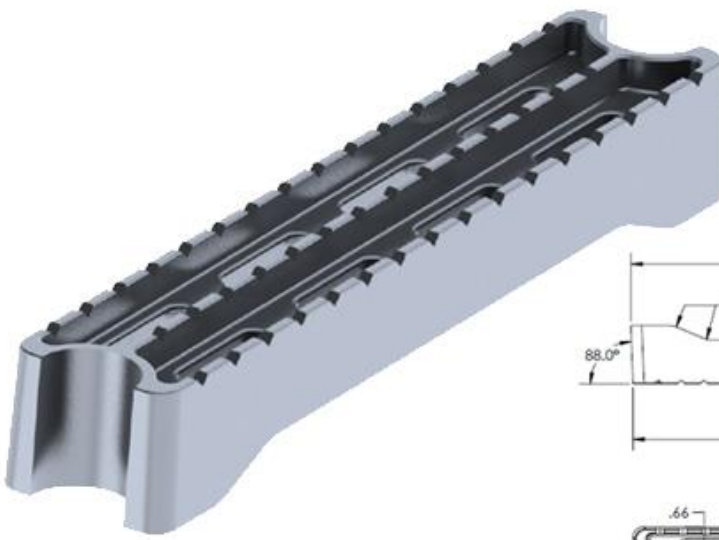
- 1) Finish: Ball-burnished.
- 2) For bolting or welding underneath



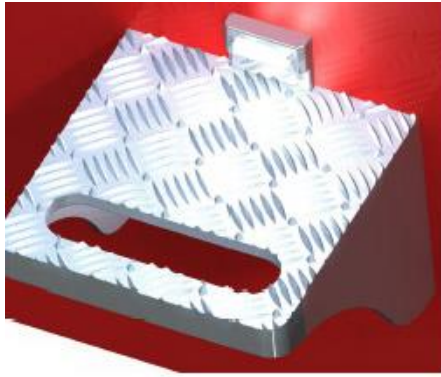
**SP2043**

**SP2043-5**  
**13.5" x 2.50" wide, Ladder Step w/ Raised Tread**

- 1) Finish: Ball-burnished.
- 2) For bolting or welding underneath



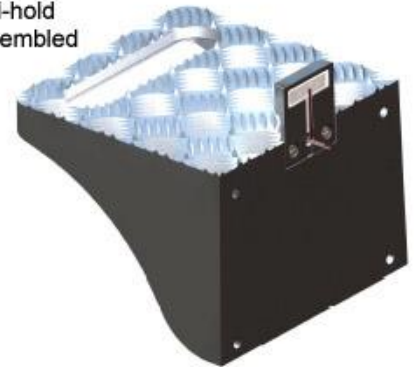
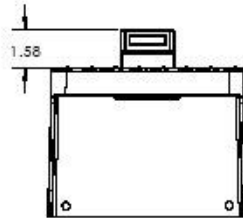
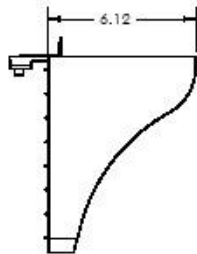
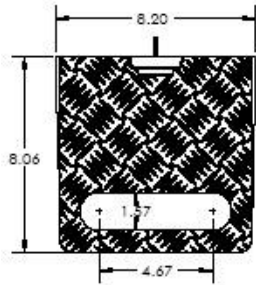
## SP2701



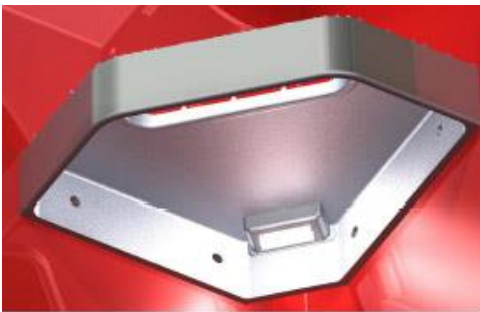
### SP2701-1

**8" x 8" Surface Mount Step w/ upper & lower LED lights (AH0225 - MKL375-3W w/ 22 gauge wire)**

- 1) Finish: Ball-burnished casting w/ polished front band and sides
- 2) Uses two AH0225 LED Lids for upper and lower illumination
- 3) Cast in hand-hold
- 4) Shipped assembled



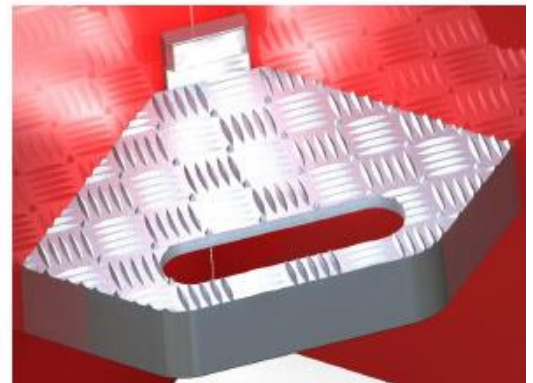
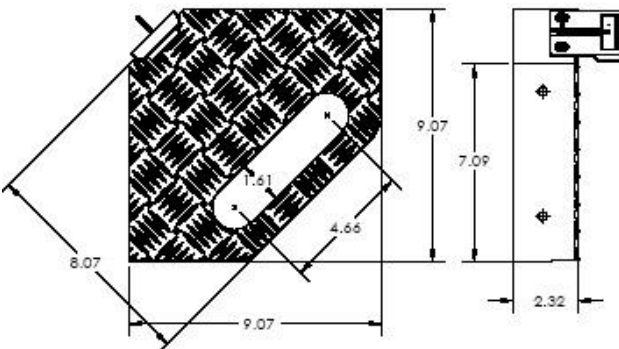
## SP2702



### SP2702-1

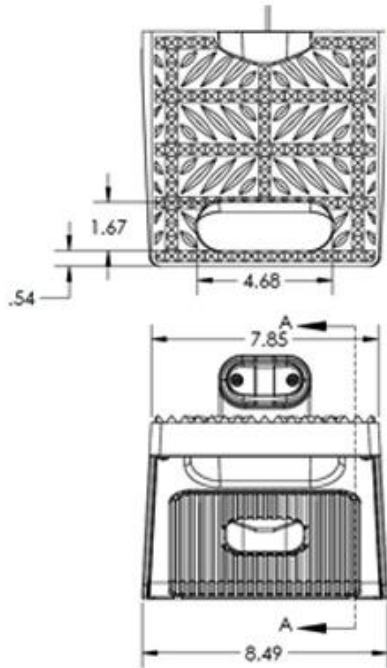
**45d. Angle Surface Mount Step w/ upper & lower LED lights (AH0225 - MKL375-3W w/ 22 gauge wire)**

- 1) Finish: Ball-burnished casting w/ polished front band and sides
- 2) Uses two AH0225 LED Lids for upper and lower illumination
- 3) Cast in hand-hold
- 4) Shipped assembled

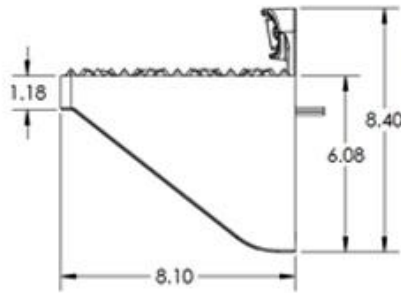




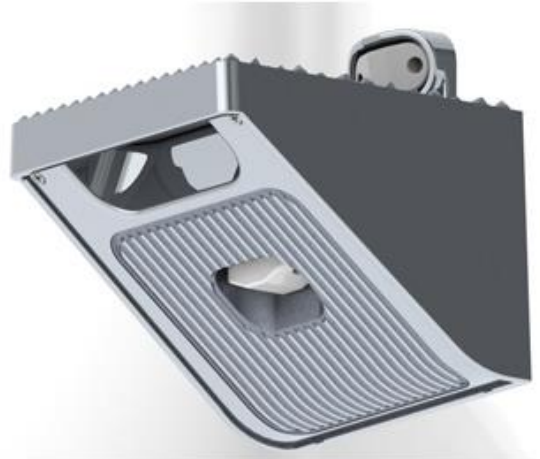
## SP2901



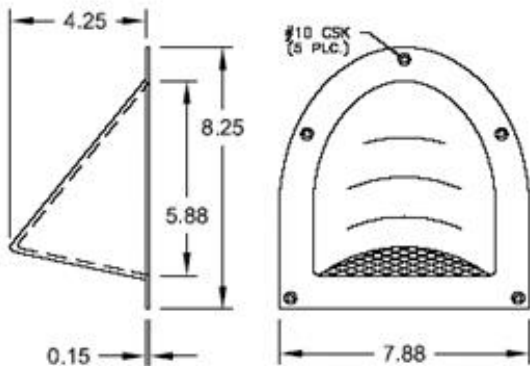
1. 8" x 8" Surface Mount Step, w/ Cover Lid, w/ upper/lower LED lights (WL0501-C Clear LED x2).
2. Finish: Tread is ball-burnished. exterior surfaces on step casting, lid face and upper LED light mount are polished.



**SP2901**  
**8" x 8" Surface Mount Step,**  
**w/ Cover Lid, w/**  
**upper/lower LED lights**  
**(WL0501-C Clear LED x2)**

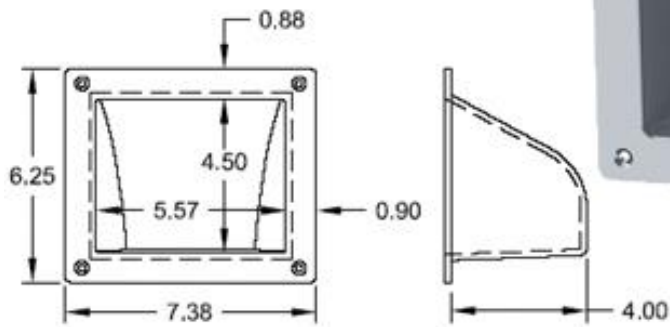


## SP3001



**SP3001**  
**Recessed Step**  
 Finish; Face flange is polished.  
 side is bead-blasted.

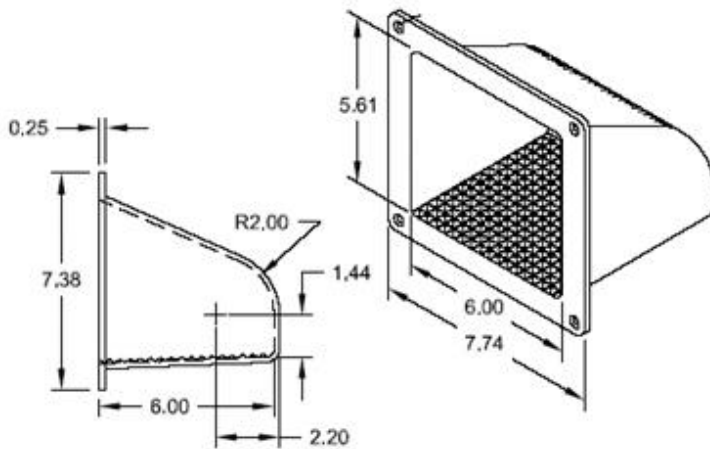
## SP3002



## SP3002 Recessed Step

1) Finish: Face flange is polished. Inside is bead-blasted.

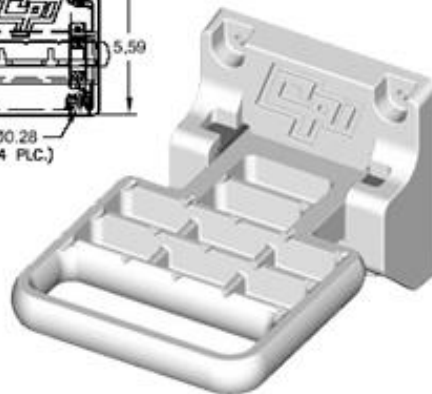
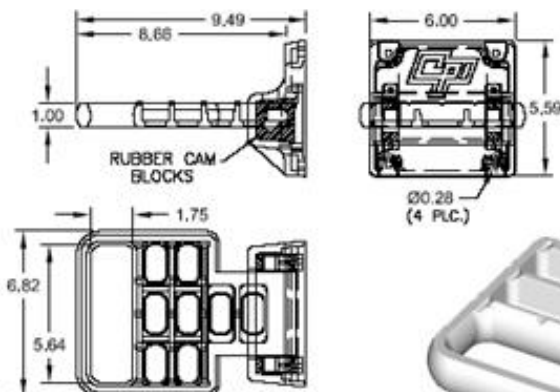
## SP3003



## SP3003 Recessed Step 6" Deep

1) Finish: Face flange is polished. Inside is bead-blasted.

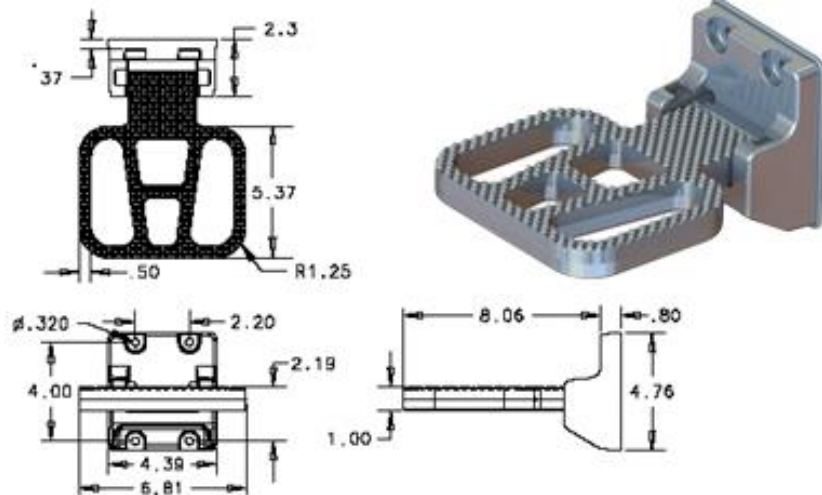
## SP4301



## SP4301 Folding Step w/ Hand-Hold & Raised Pyramid Tread

1) Finish: Edges are polished. All other surfaces are bead-blasted or ball-burnished.  
2) Designed to fold-up when not in use and to exceed the requirements of 1901 & 1904-91 specs requiring 500 lbs. minimum load, 35 square inch area, 8" depth, etc....

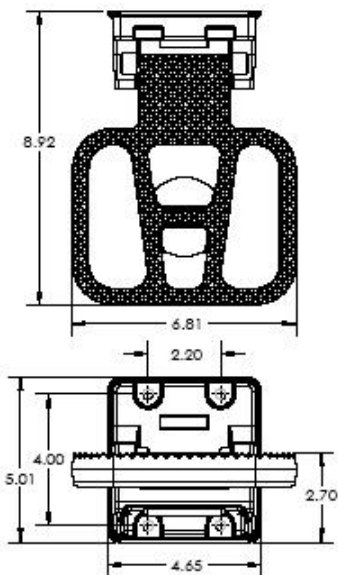
## SP4401



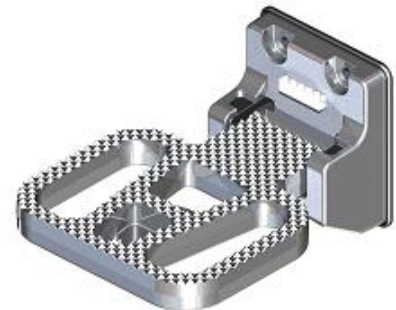
## SP4401 Folding Step w/ Hand-Hold & Pyramid Tread

- 1) Finish: Edges are polished. All other surfaces are bead-blasted or ball-burnished.
- 2) Designed to fold-up when not in use and to exceed the requirements of 1901 & 1904-91 specs requiring 500 lbs. minimum load, 35 square inch area, 8" depth, etc....

## SP4410

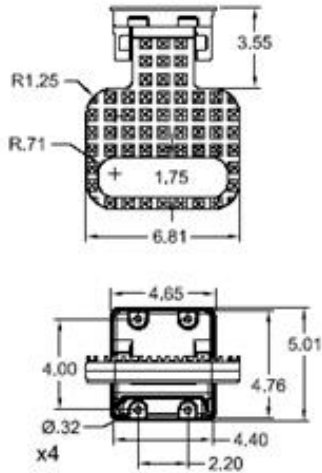


## SP4410-1CH-LED 2" Round Logo - Folding Step Assembly w/ LED Lights x2



- 1) Finish: Exterior surfaces are bright polished, then chrome plated to CASS 24 specifications.
- 2) Incorporates upper and lower mount LED lights to illuminate step platform and underneath the step assembly.
- 3) Use standard 2" diameter self adhesive logo's for customer user look.

## SP4500

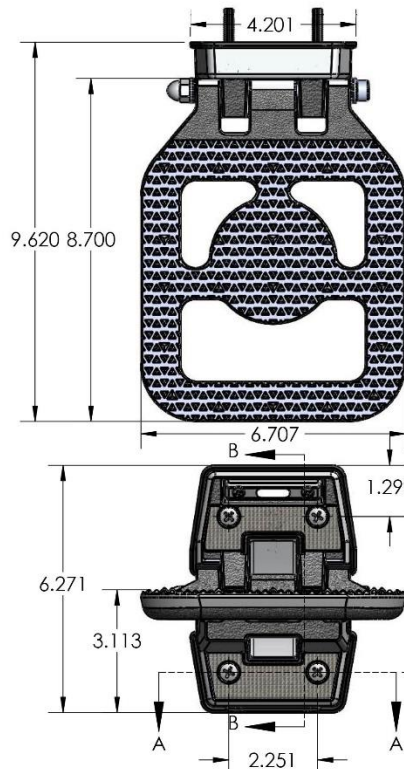
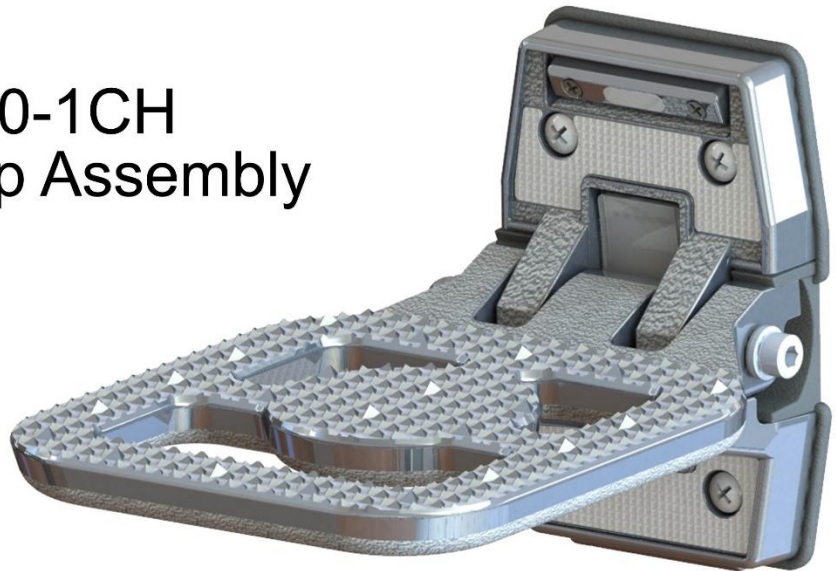


## SP4500 Folding Step w/ Hand-Hold & Pungy Tread

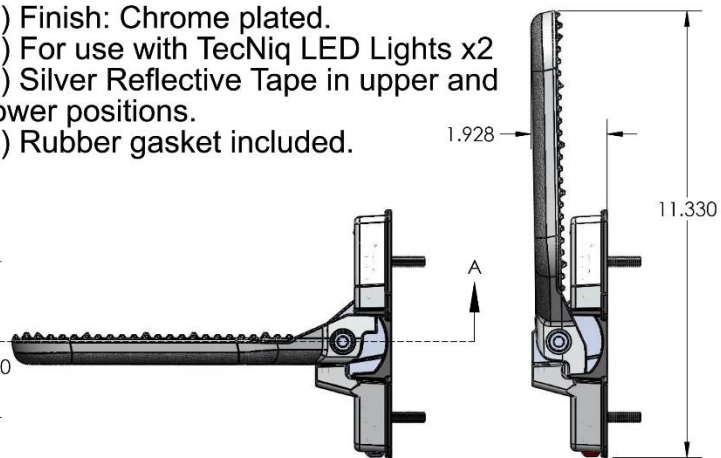
- 1) Finish: Edges are polished. All other surfaces are bead-blasted or ball-burnished.
- 2) Designed to fold-up when not in use and to exceed the requirements of 1901 & 1904-91 specs requiring 500 lbs. minimum load, 35 square inch area, 8" depth, etc....

## SP6610

## SP6610-1CH Folding Step Assembly

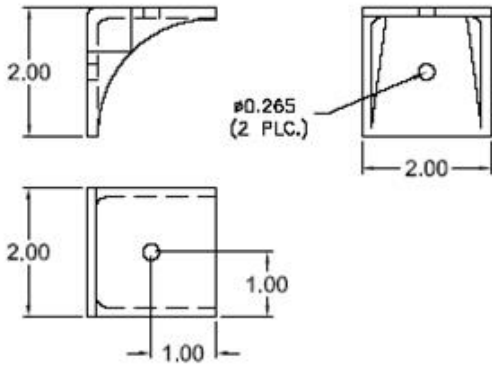


- 1) Finish: Chrome plated.
- 2) For use with TecNiq LED Lights x2
- 3) Silver Reflective Tape in upper and lower positions.
- 4) Rubber gasket included.



# Shelf Supports

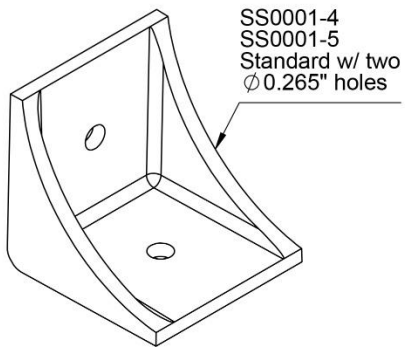
**SS0001**



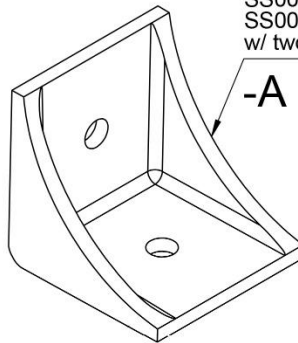
**SS0001**  
**Shelf Support**  
**Bracket**

1) Finish: Wheel-a-brated.

**SS0001-A -B -C -D -E**

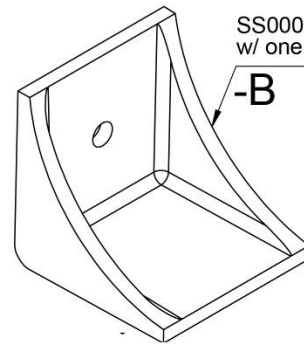


SS0001-4  
 SS0001-5  
 Standard w/ two  
 $\varnothing 0.265$ " holes



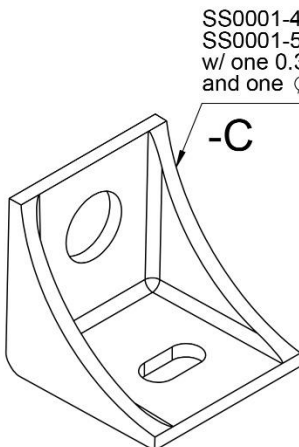
SS0001-4-A  
 SS0001-5-A  
 w/ two  $\varnothing 0.3125$ " holes

**-A**



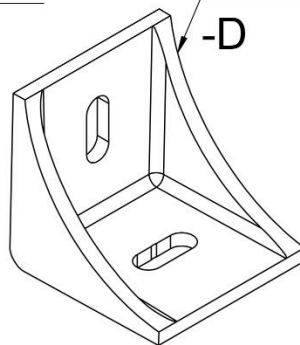
SS0001-5-B  
 w/ one  $\varnothing 0.265$ " hole

**-B**



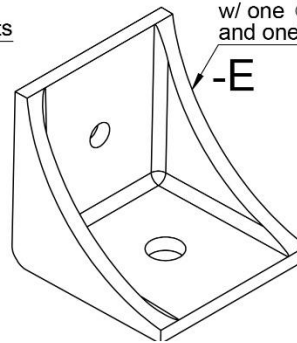
SS0001-4-C  
 SS0001-5-C  
 w/ one 0.375" slot  
 and one  $\varnothing 0.750$ " hole

**-C**



SS0001-4-D  
 SS0001-5-D  
 w/ two 0.300" slots

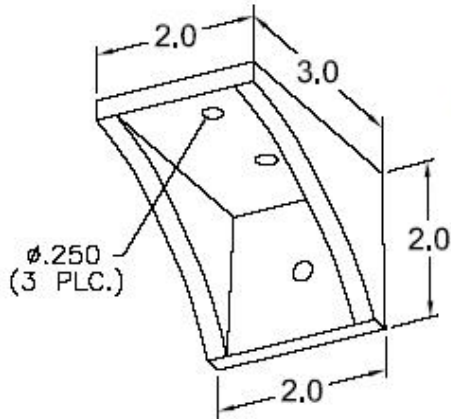
**-D**



SS0001-4-E  
 SS0001-5-E  
 w/ one  $\varnothing .265$ " hole  
 and one  $\varnothing .390$ " hole

**-E**

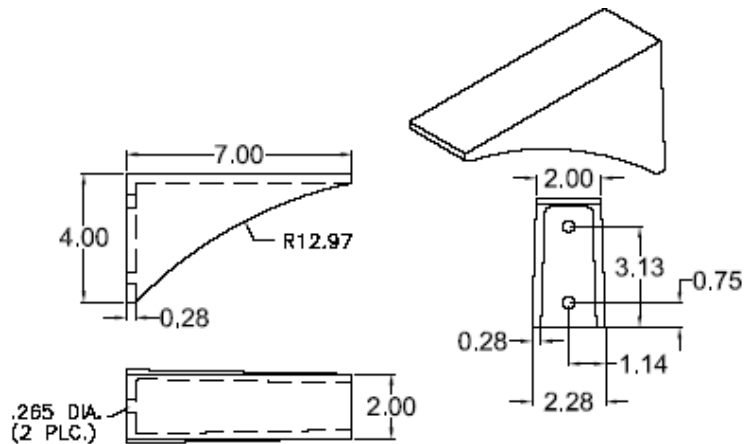
**SS0002**



## SS0002 Shelf Support Bracket

1) Finish: Wheel-a-brated.

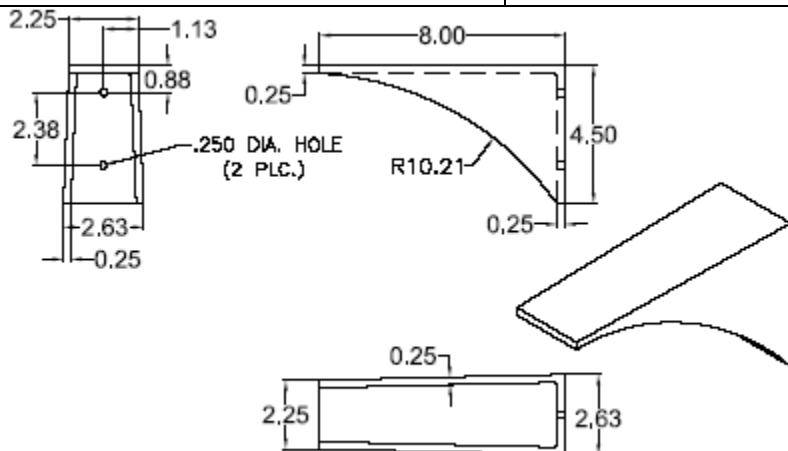
**SS0003**



## SS0003 Shelf Support Bracket

1) Finish: Wheel-a-brated.

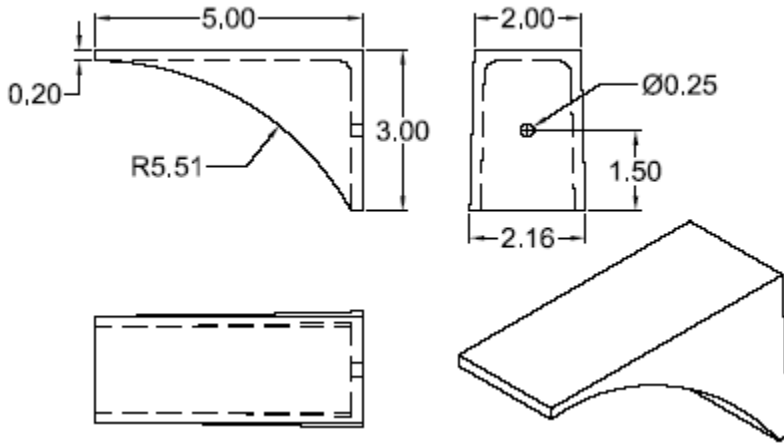
**SS0004**



## SS0004 Shelf Support Bracket

1) Finish: Wheel-a-brated.

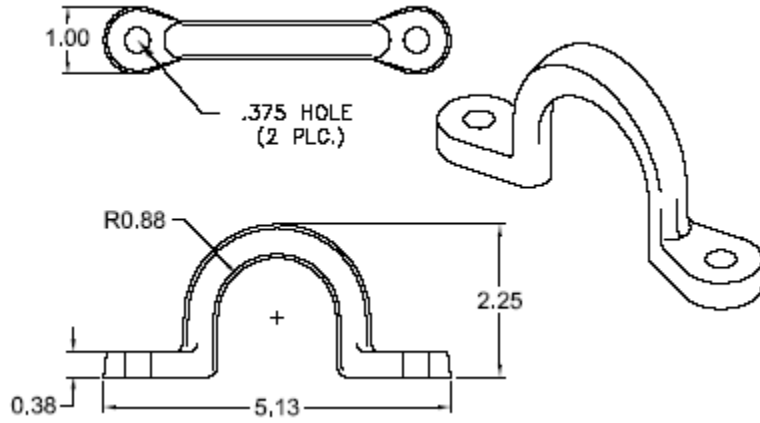
**SS0005**



# SS0005 Shelf Support Bracket

1) Finish: Wheel-a-brated.

**SS0007**

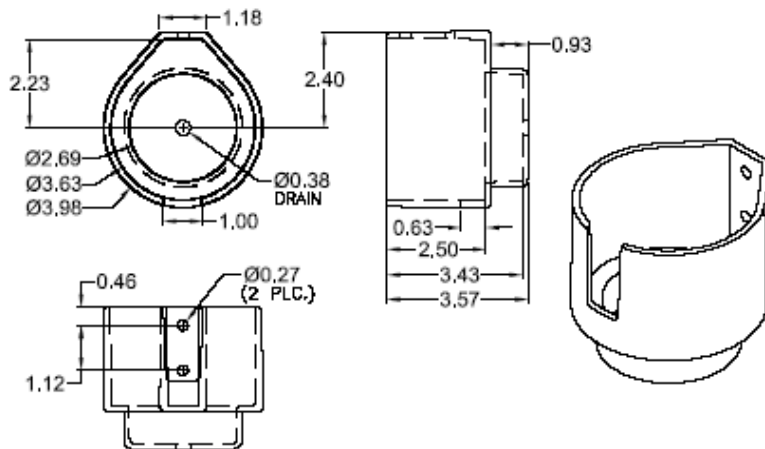


# SS0007

## Rope Tie Ring

1) Finish: as cast, polished,  
ball-burnished or wheel-a-brated.

**SS0014**

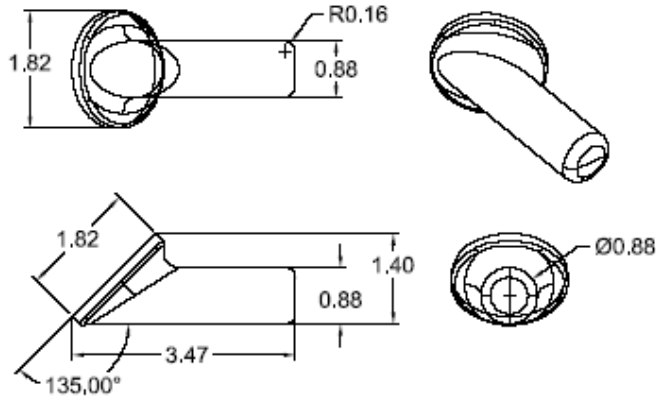


# SS0014

## Cup Holder

1) Finish: polished,  
wheel-a-brated, or ball-burnished.

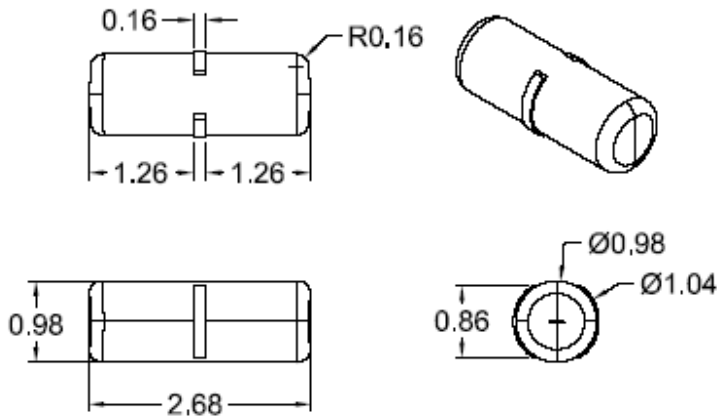
**SS0018**



## **SS0018** **Angled Tube Brace**

- 1) Finish: Wheel-a-brated.
- 2) Angle: 135°

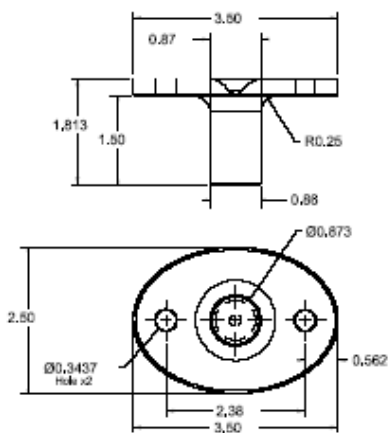
**SS0019**



## **SS0019** **Tube Splice Connector**

- 1) Finish: Wheel-a-brated.

**SS0022**

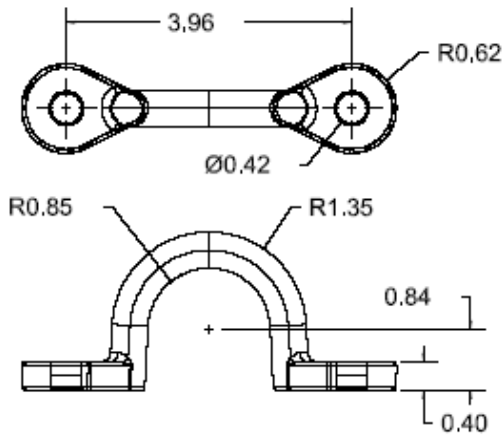


## **SS0022** **Rear Ladder Mounting Block**

- 1) Finish: all exterior surfaces are ball-burnished.



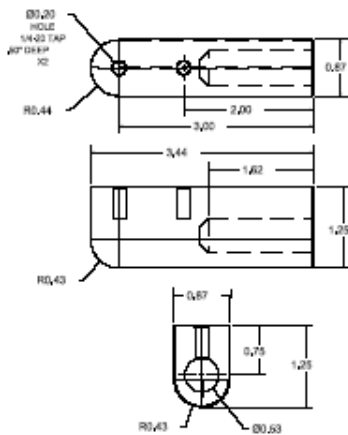
### SS0025



## SS0025 Rope Tie Ring

1) Finish: all exterior surfaces are ball-burnished.

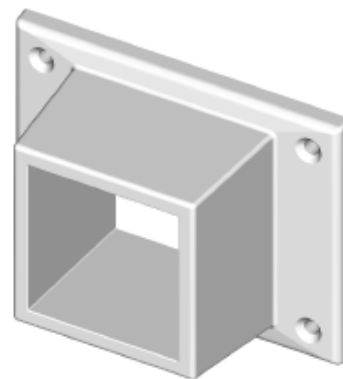
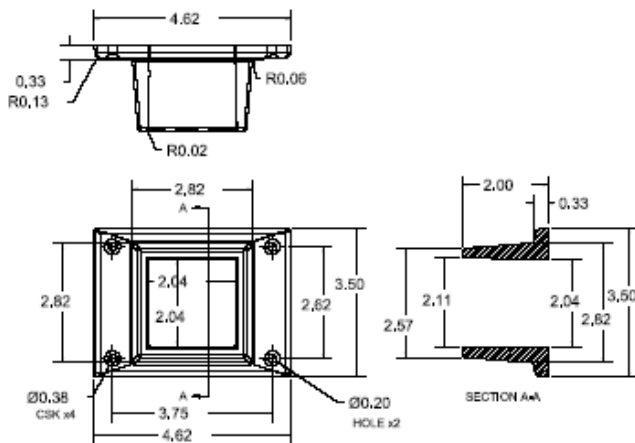
### SS0028



## SS0028 Butterfly Single Pivot Casting

1) Finish: all exterior surfaces are ball-burnished.

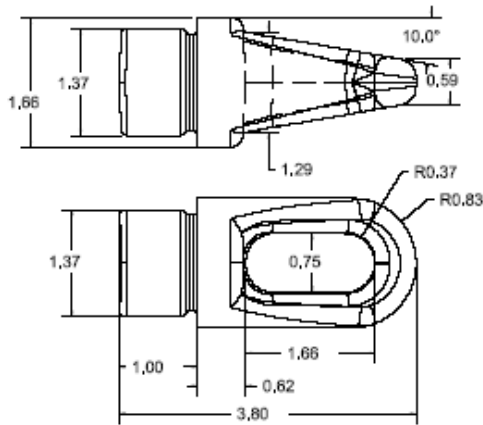
### SS0031



## SS0031 Combination 2" and 3" Post Base

1) Finish: all exterior surfaces are ball-burnished.

## SS0034

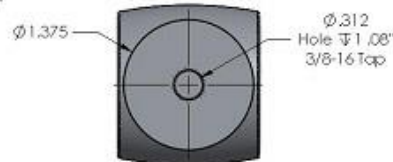
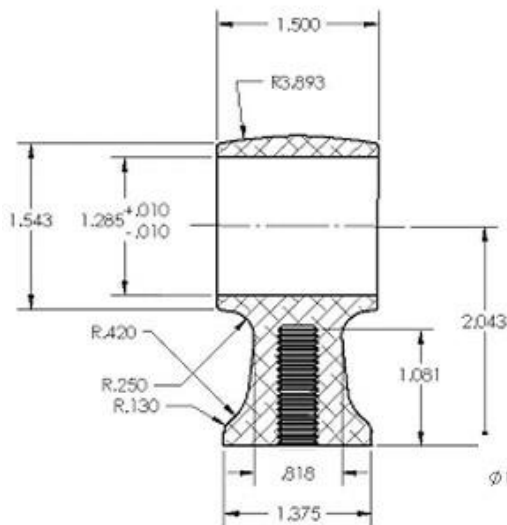


## SS0034

### Butt-Bar End Cap Casting w/ Hook

1) Finish: all exterior  
surfaces are  
wheel-a-brated

## SS0037



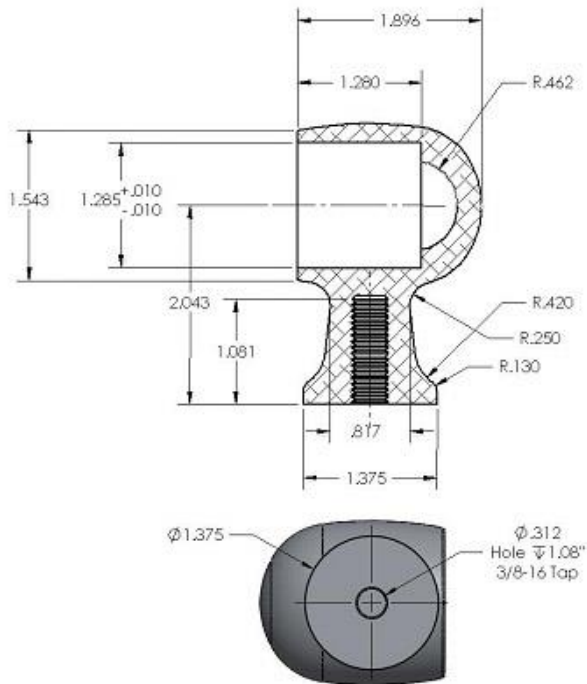
## SS0037-1

### Grab Rail Support, 1 1/4" OD Tube, Center Mount Casting

1) Finish: Polished Exterior



### SS0038

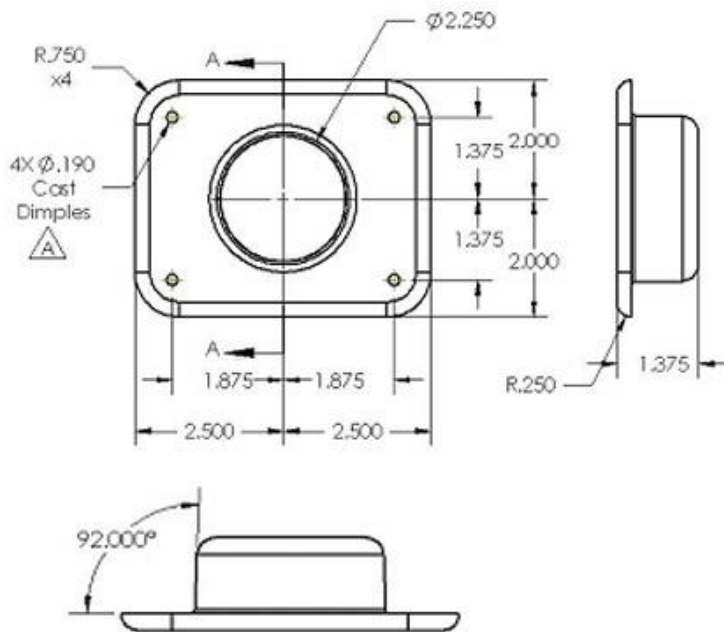


### SS0038-1 Grab Rail Support, 1 1/4" OD Tube, End Cap Casting

1) Finish: Polished Exterior



### SS0039

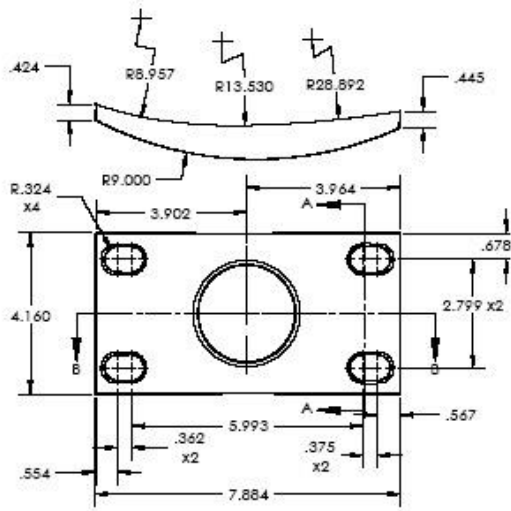


### SS0039-5 Straight Load Post Mount Casting

1) Finish: Ball-burnished



## SS0040



## SS0040-1 Mirror Shim Casting

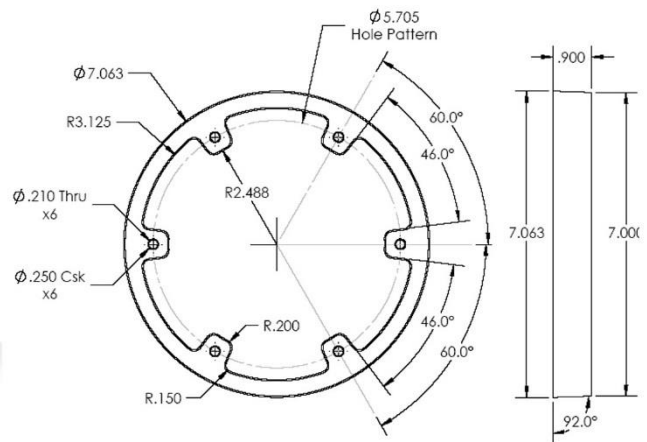
1) Finish: Exterior Edges are Polished



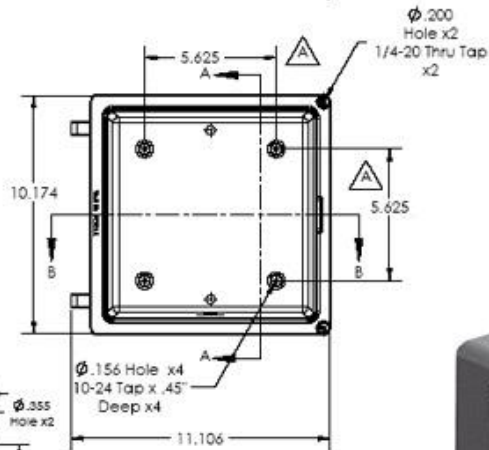
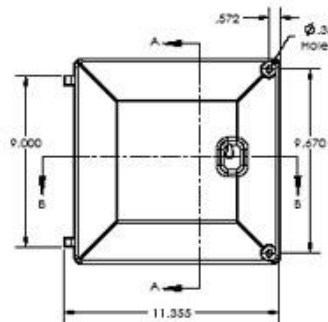
## SS0041



## SS0041-1 Speaker Trim Casting



## TA4100

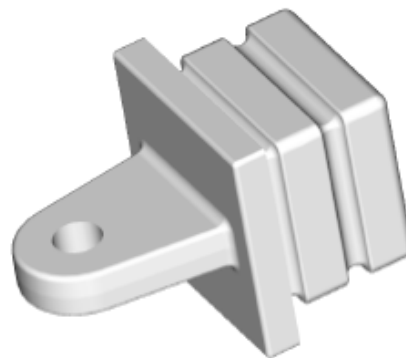
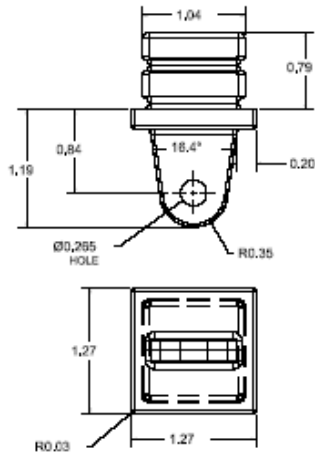


## TA4100-4 Straight Load Post Mount Casting

1) Finish: Wheel-a-brated



## TMC0024

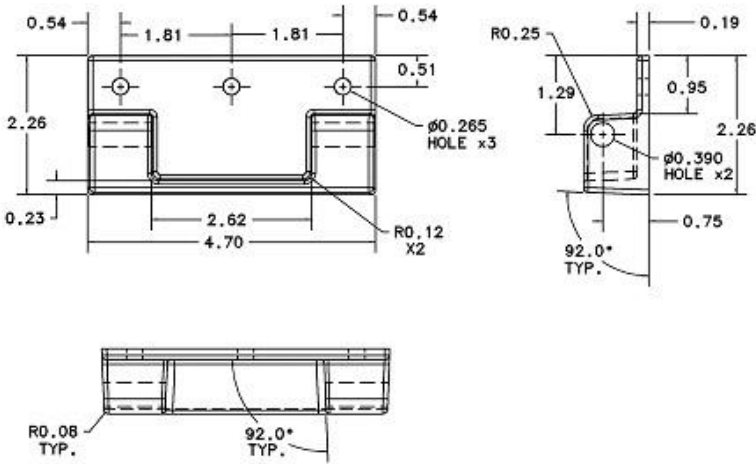


## TMC0024 Swivel Tube Plug

1) Finish: all exterior surfaces are ball-burnished and "struck" polished.

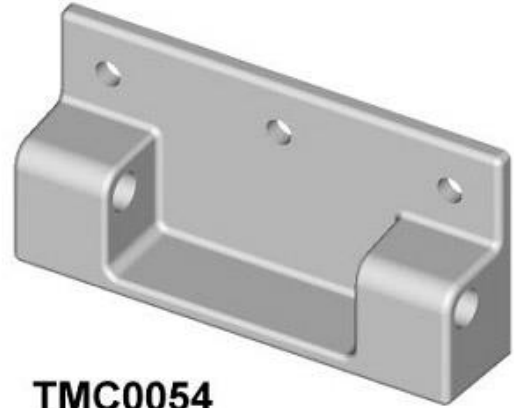


# TMC0054



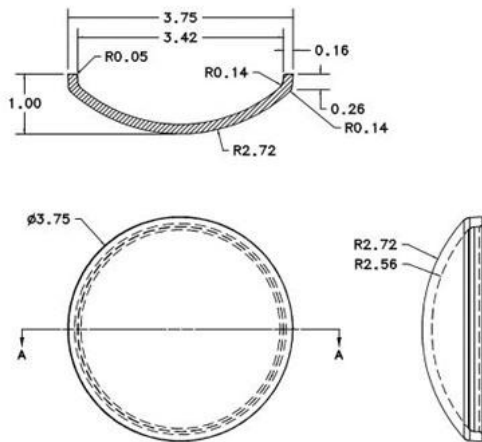
## TMC0054-5 Butt-Bar Angle Keeper

1) Finish: Ball-burnished



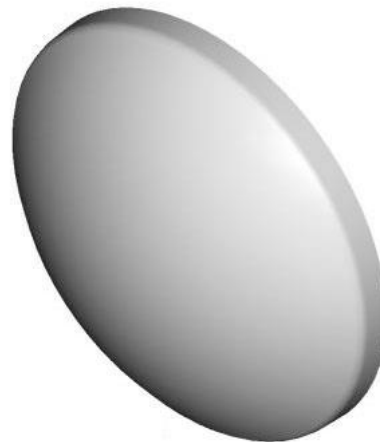
TMC0054

# TMC0056



## TMC0056 Weld Plug Cap Casting

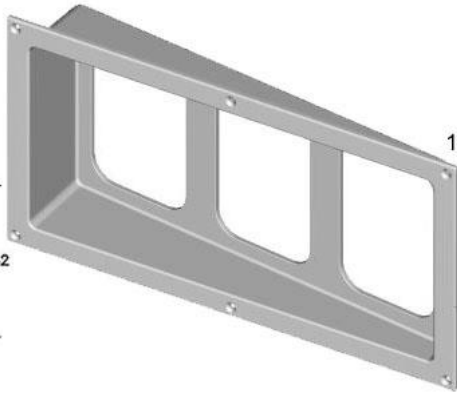
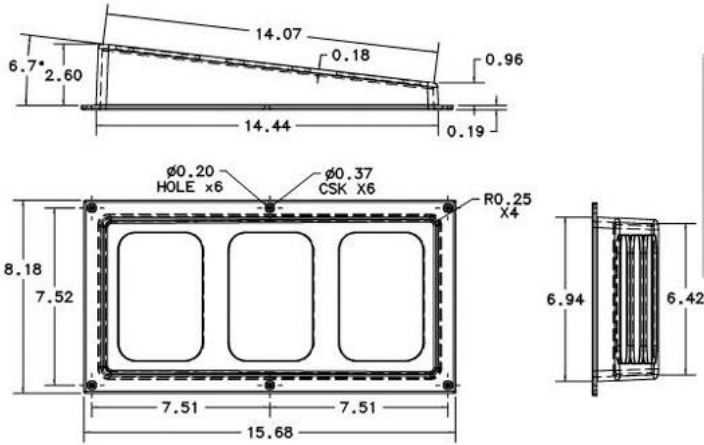
1) Finish: ball-burnished



## TMC0058

## TMC0058 Taillight Housing

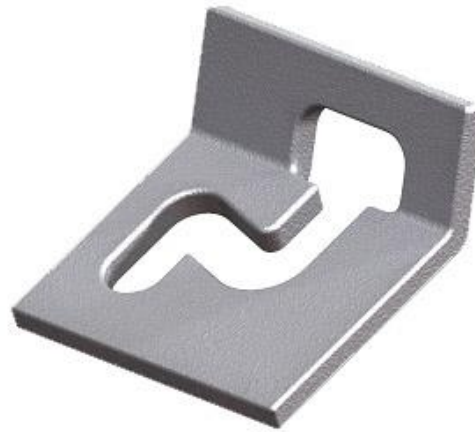
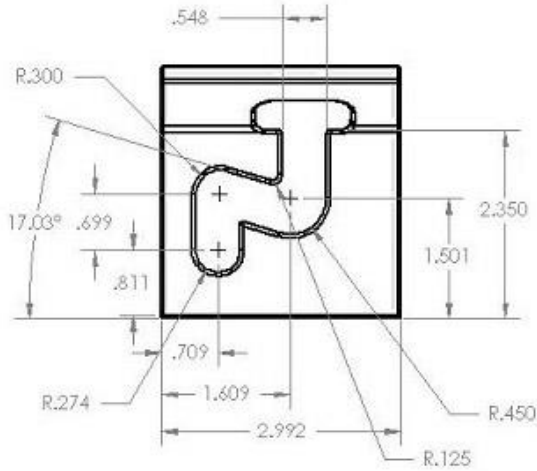
1) Finish: wheel-a-brated  
with flange face polished



## TMC0060

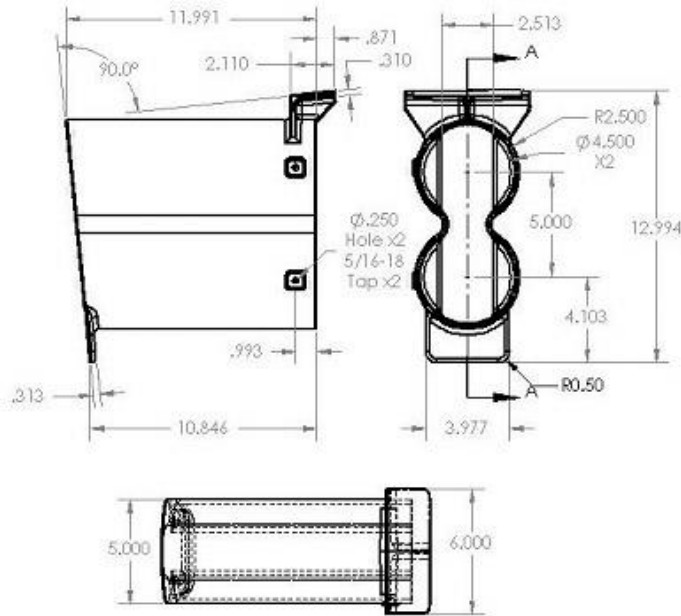
## TMC0060-5 3x3 Latch Plate Casting

1) Finish: Ball-burnished





TMC0062



## TMC0062-6S Dual Bottle Holder Casting - powder coated Bengal Silver PA16140JJ

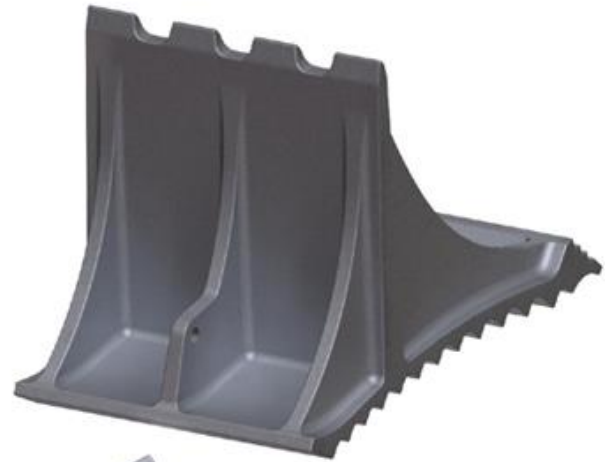
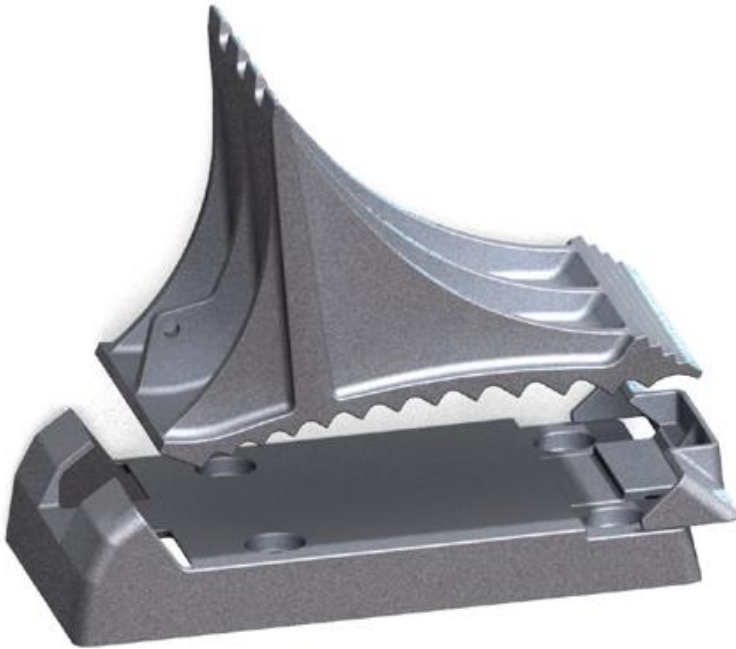
- 1) Finish: Powder Coated Bengal
- 2) Inside is Sand-cored



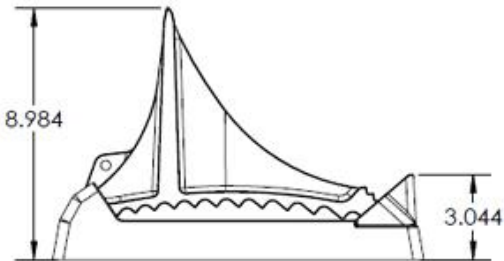
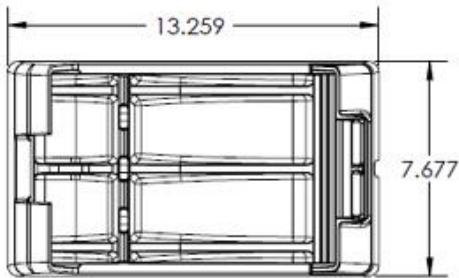
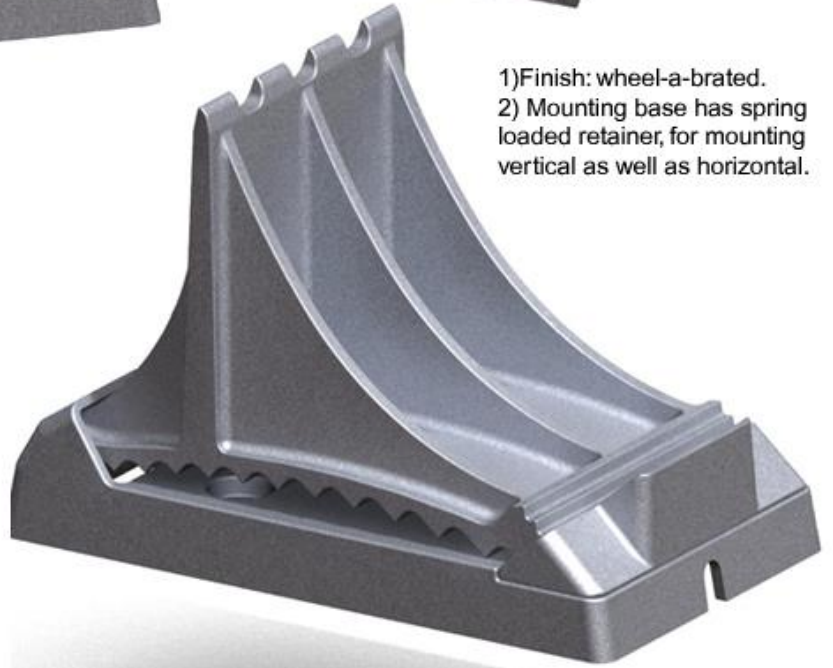


TMC0090

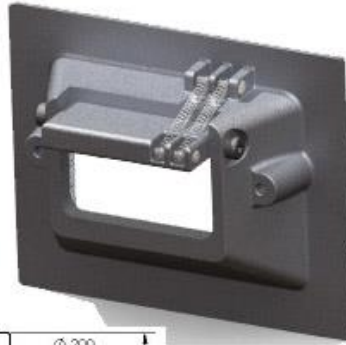
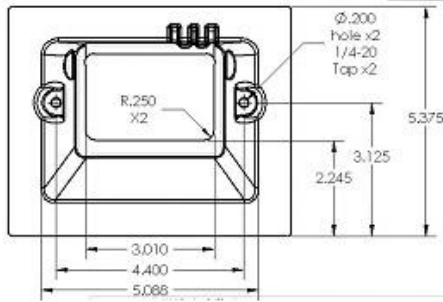
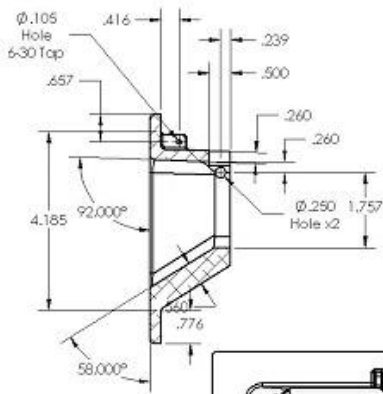
### TMC0090-4 Wheel Chock and Holder Assembly



- 1) Finish: wheel-a-brated.
- 2) Mounting base has spring loaded retainer, for mounting vertical as well as horizontal.



## TMC1007

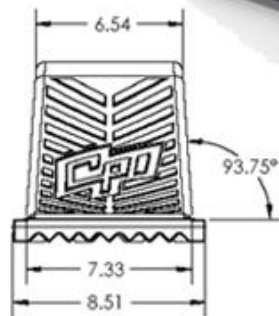
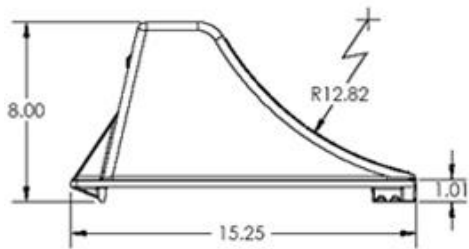
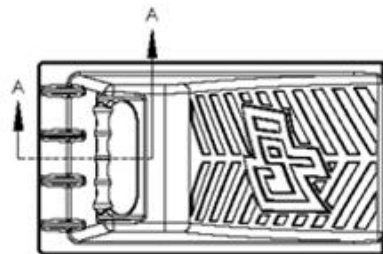


## TMC1007-5 Gunport Casting Assembly

1) Finish: Ball-burnished



## TMC1008

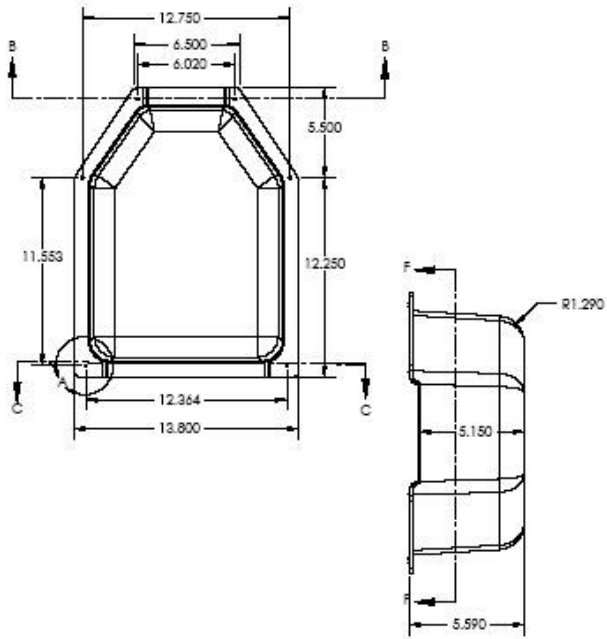


## TMC1008 Wheel Chock Casting



- 1) Finish: wheel-a-brated.
- 2) Meets NFPA and SAEJ348 standards.
- 3) For up to a 32" diameter tire.

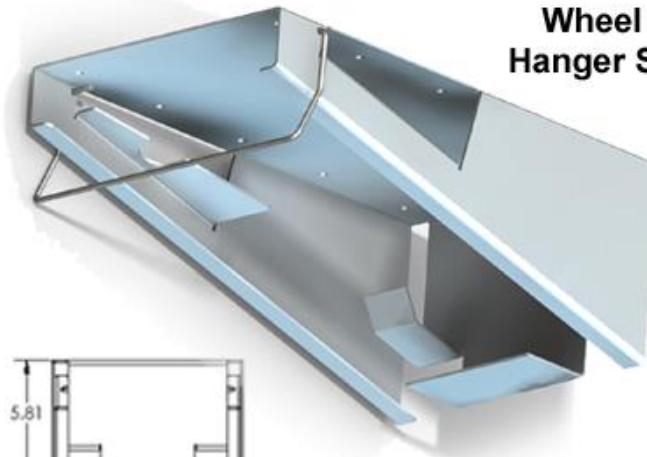
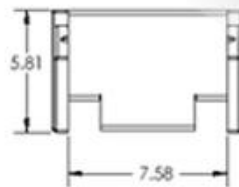
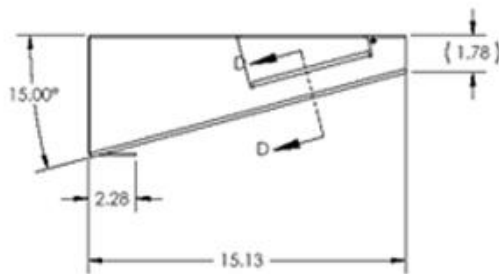
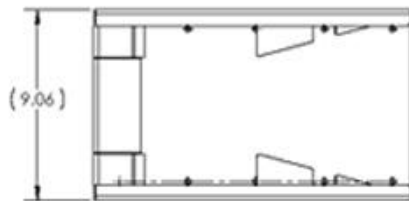
## TMC1009



**TMC1009**  
Light Housing Cover  
(White - Vacuum formed)



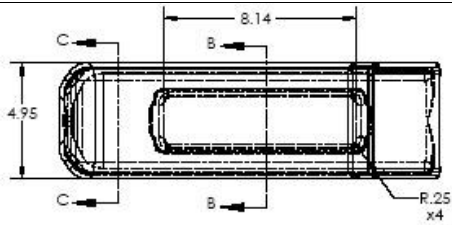
## TMC1010



**TMC1010**  
Wheel Chock  
Hanger Stamping

- 1) Finish: natural aluminum sheet
- 2) For TMC1008 Wheel Chock Casting.

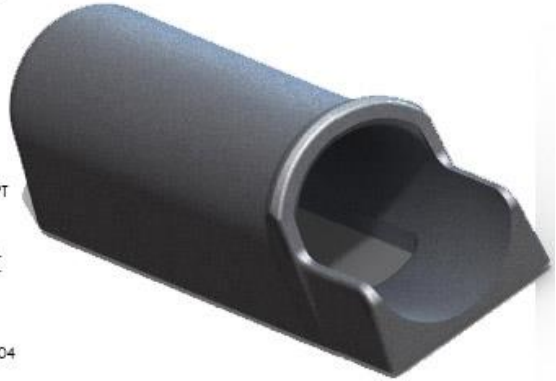
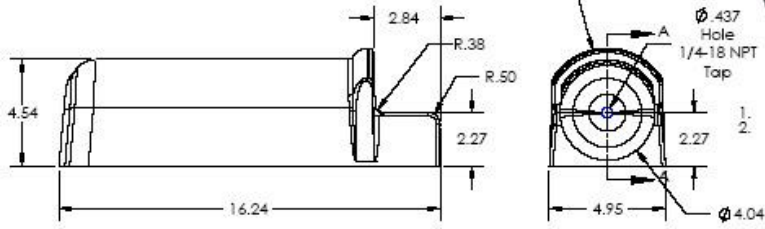
# TMC1012



# TMC1012-5

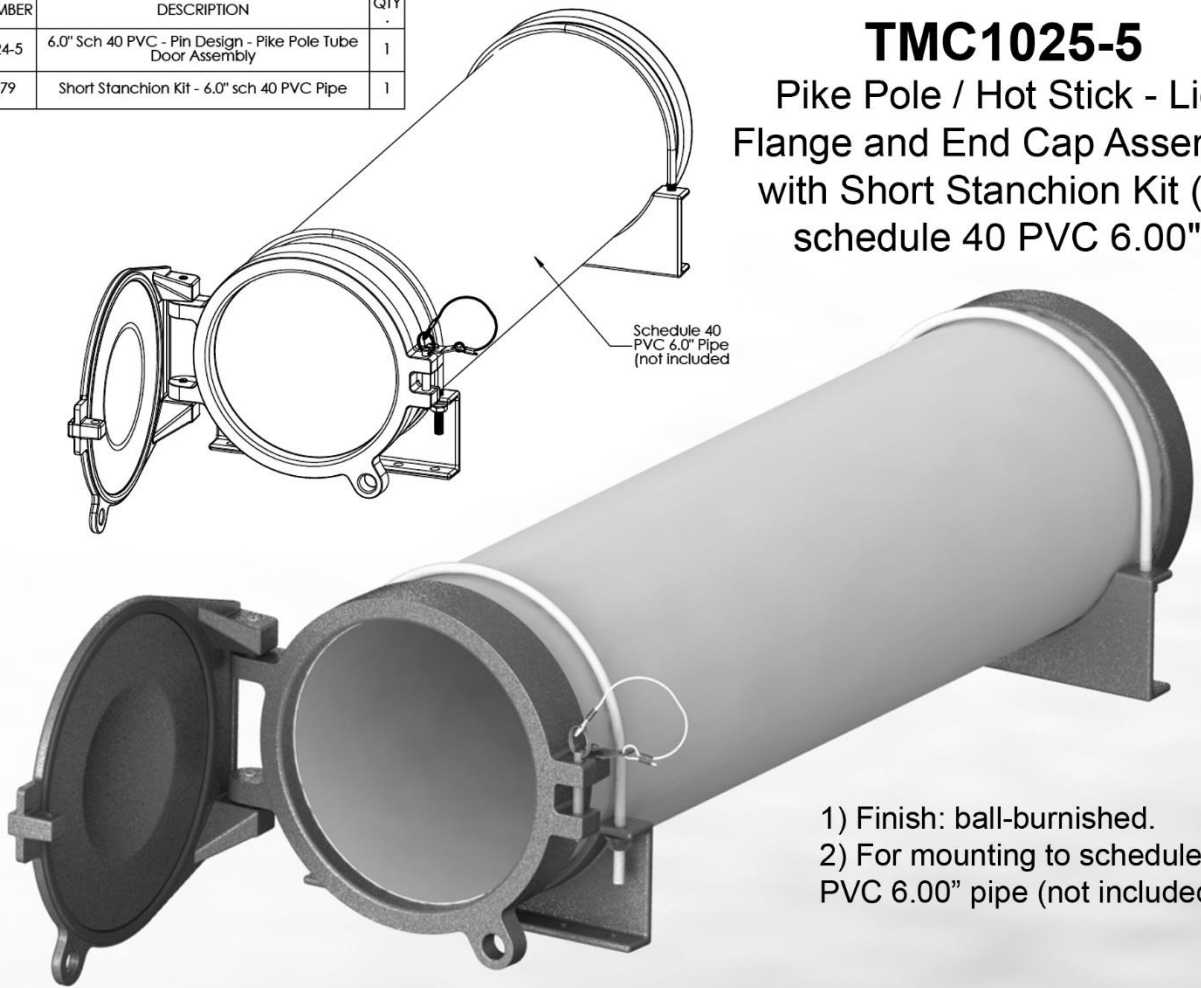
1 pc. Nozzle Holder Casting & Backplate Stamping (unassembled)

1) Finish: Ball-burnished



# TMC1025

ITEM NO.	PART NUMBER	DESCRIPTION	QTY
1	TMC1024-5	6.0" Sch 40 PVC - Pin Design - Pike Pole Tube Door Assembly	1
2	TMC0079	Short Stanchion Kit - 6.0" sch 40 PVC Pipe	1



## TMC1025-5

Pike Pole / Hot Stick - Lid,  
Flange and End Cap Assembly  
with Short Stanchion Kit (for  
schedule 40 PVC 6.00")

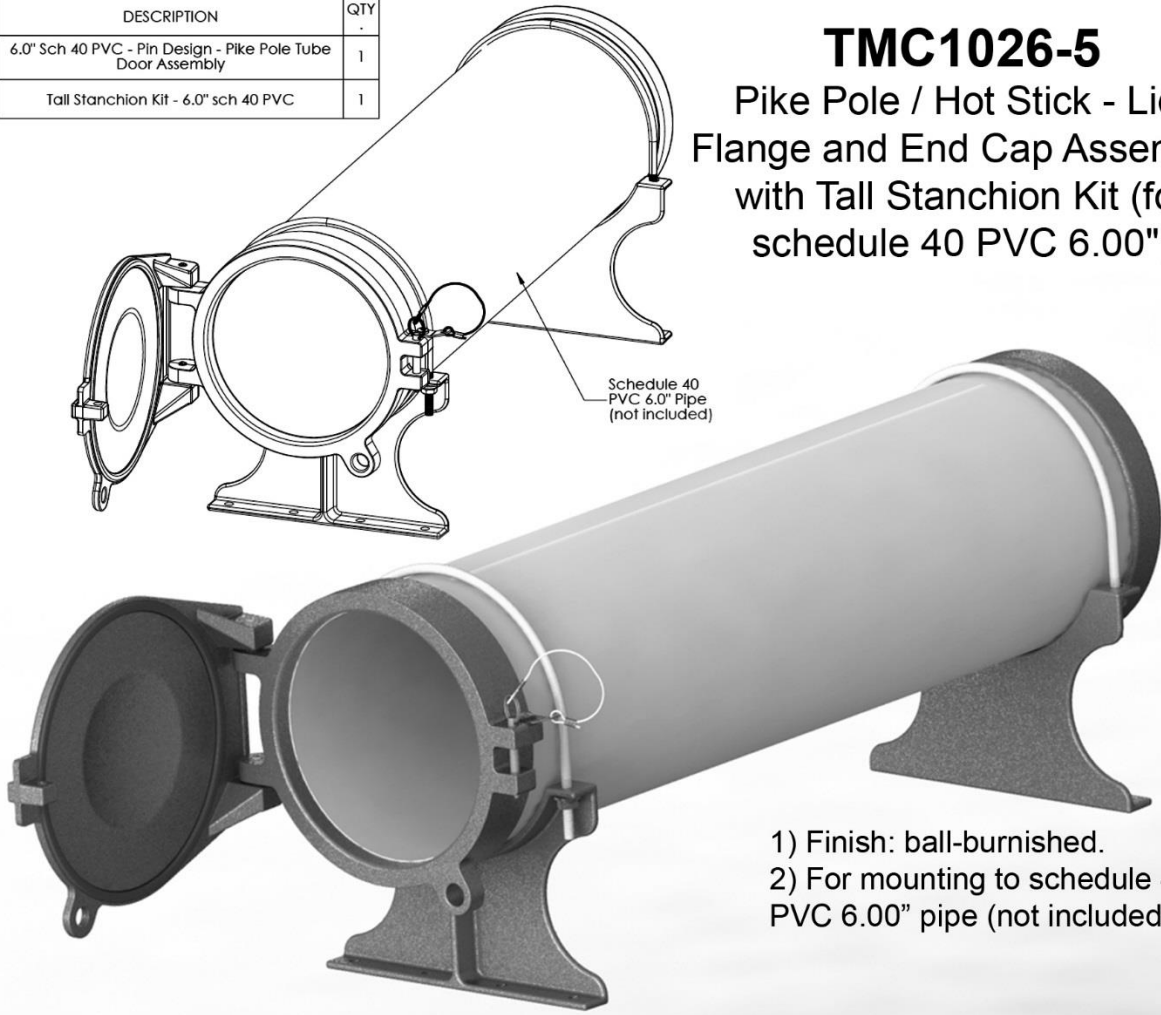
- 1) Finish: ball-burnished.
- 2) For mounting to schedule 40 PVC 6.00" pipe (not included)

# TMC1026

ITEM NO.	PART NUMBER	DESCRIPTION	QTY
1	TMC1024-5	6.0' Sch 40 PVC - Pin Design - Pike Pole Tube Door Assembly	1
2	TMC0080	Tall Stanchion Kit - 6.0" sch 40 PVC	1

## TMC1026-5

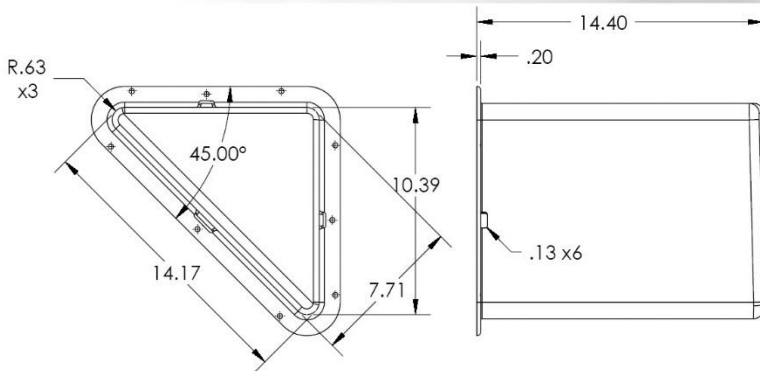
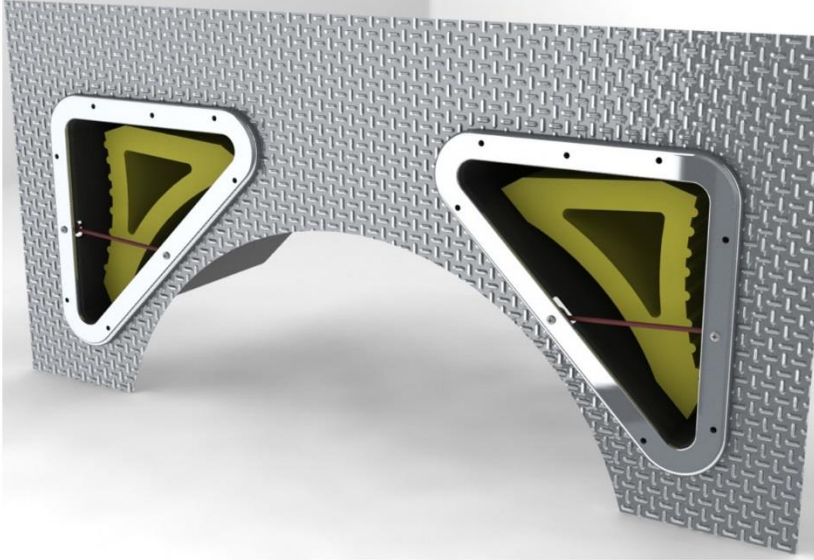
Pike Pole / Hot Stick - Lid, Flange and End Cap Assembly with Tall Stanchion Kit (for schedule 40 PVC 6.00")



- 1) Finish: ball-burnished.
- 2) For mounting to schedule 40 PVC 6.00" pipe (not included)



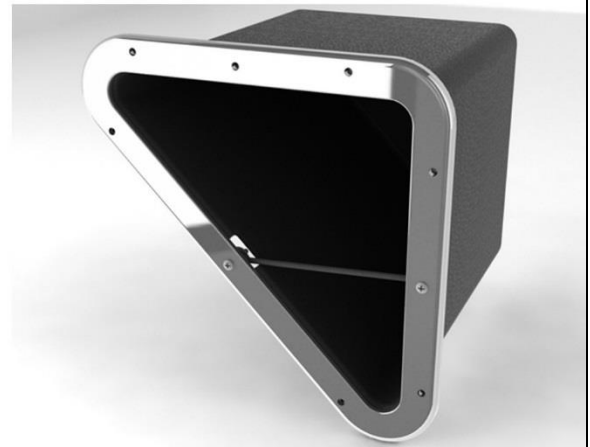
## TMC1027



### TMC1027-1

Assembly - Rotary Molded  
Wheel Chock Holder, Face Trim  
and Bungee Cord Retainer

- 1) Finish: Trim is polished.
- 2) wheel chocks not included.



## TMC1039



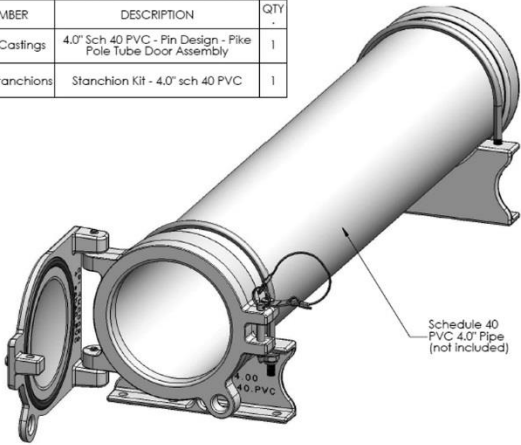
### TMC1039-1

Assembly - Rotary Molded  
Wheel Chock Holder w/ 112.5  
Corners Face Trim

- 1) Finish: Trim is polished.
- 2) wheel chocks not included.

# TMC1040

ITEM NO.	PART NUMBER	DESCRIPTION	QTY
1	TMC1040-5 Castings	4.0" Sch 40 PVC - Pin Design - Pike Pole Tube Door Assembly	1
2	TMC1040-5 Stanchions	Stanchion Kit - 4.0" sch 40 PVC	1



## TMC1040-5

Pike Pole / Hot Stick - Lid, Flange and End Cap Assembly with Stanchion Kit (for schedule 40 PVC 4.00")



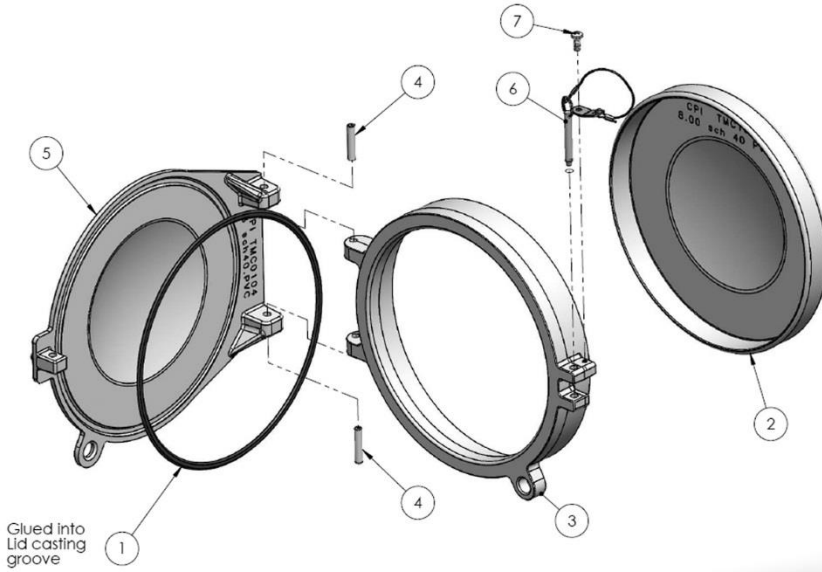
- 1) Finish: ball-burnished.
- 2) For mounting to schedule 40 PVC 4.00" pipe (not included)

# TMC1043

## TMC1043-5

Pike Pole / Hot Stick - Lid, Flange and Pin Assembly, with End Cap Casting (for 8.0" sch 40 PVC)

- 1) Finish: ball-burnished.
- 2) For mounting to schedule 40 PVC 8.00" pipe (not included)



Glued into Lid casting groove

ITEM NO.	PART NUMBER	DESCRIPTION	Def ault /QTY.
1	AH0100 x 27.25	.25" diameter x 27.25" Cord Gasket	1
2	TMC0102-5	End Cap Casting (for schedule 40 PVC 8.00")	1
3	TMC0103-5	Flange Casting - Pin Design (for schedule 40 PVC 8.00")	1
4	AH0193	.250" x 1.25" Spring Pin Stainless	2
5	TMC0104-5	Lid Casting - Pin Design (for schedule 40 PVC 8.00")	1
6	AH0260	1/4" Stainless Pin with Ball Detent and Lanyard	1
7	AH0036	10-24 x .500" MS Phillips Pan Head Screw Stainless	1

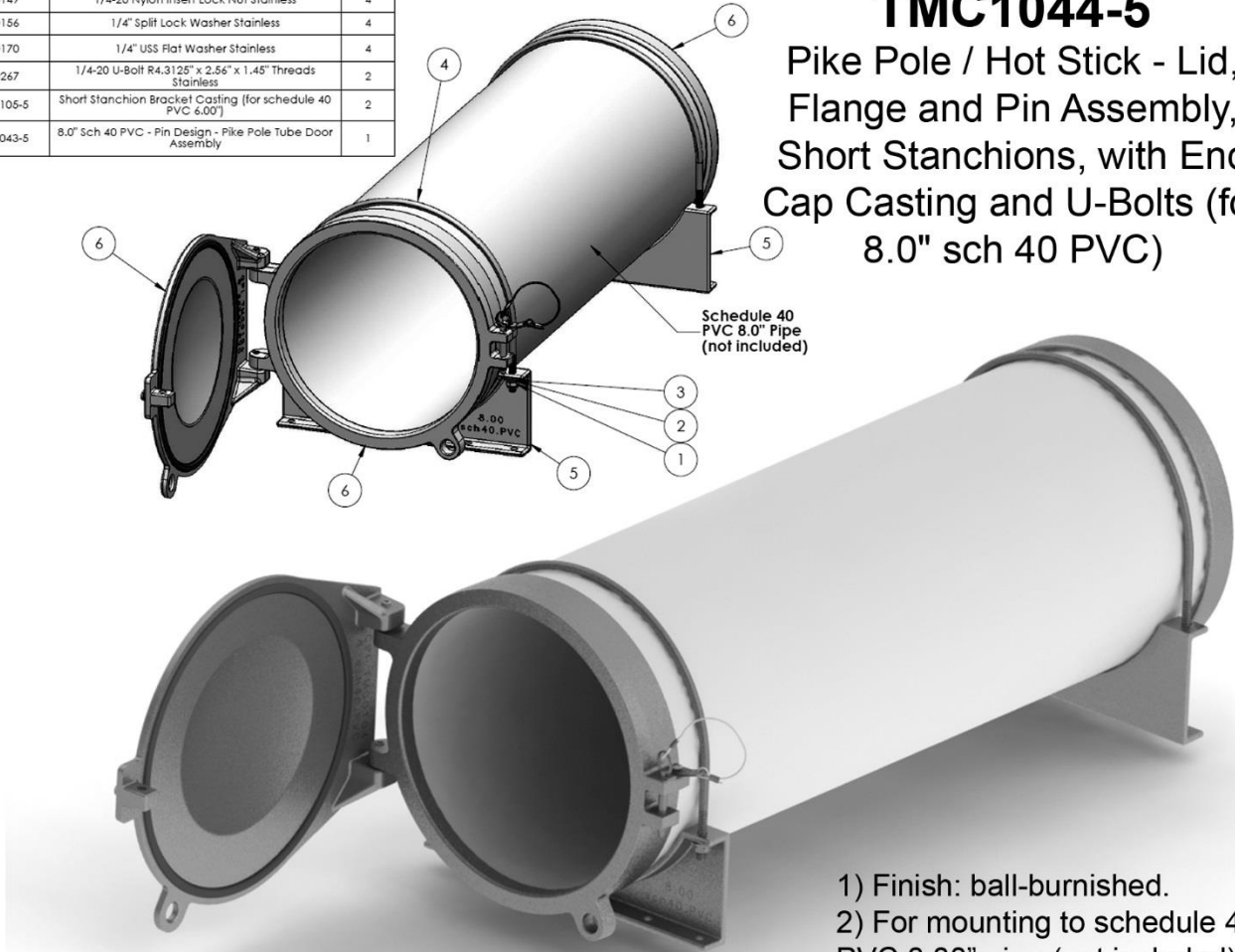


# TMC1044

ITEM NO.	PART NUMBER	DESCRIPTION	QTY.
1	AH0149	1/4-20 Nylon Insert Lock Nut Stainless	4
2	AH0156	1/4" Split Lock Washer Stainless	4
3	AH0170	1/4" USS Flat Washer Stainless	4
4	AH0267	1/4-20 U-Bolt R4.3125" x 2.56" x 1.45" Threads Stainless	2
5	TMC0105-5	Short Stanchion Bracket Casting (for schedule 40 PVC 6.00")	2
6	TMC1043-5	8.0" Sch 40 PVC - Pin Design - Pike Pole Tube Door Assembly	1

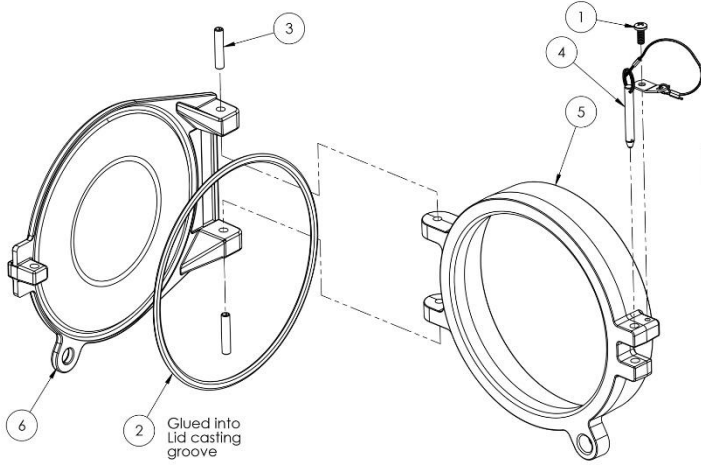
## TMC1044-5

Pike Pole / Hot Stick - Lid, Flange and Pin Assembly, Short Stanchions, with End Cap Casting and U-Bolts (for 8.0" sch 40 PVC)



- 1) Finish: ball-burnished.
- 2) For mounting to schedule 40 PVC 8.00" pipe (not included)

## TMC1045



## TMC145-5

6.0" Sch 40 PVC - Pin Design - Pike Pole Tube Door Assembly

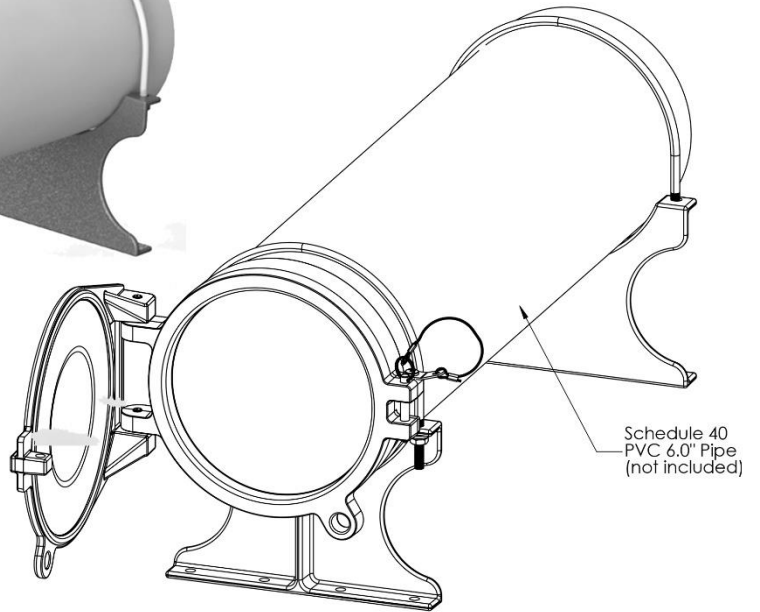


## TMC1046

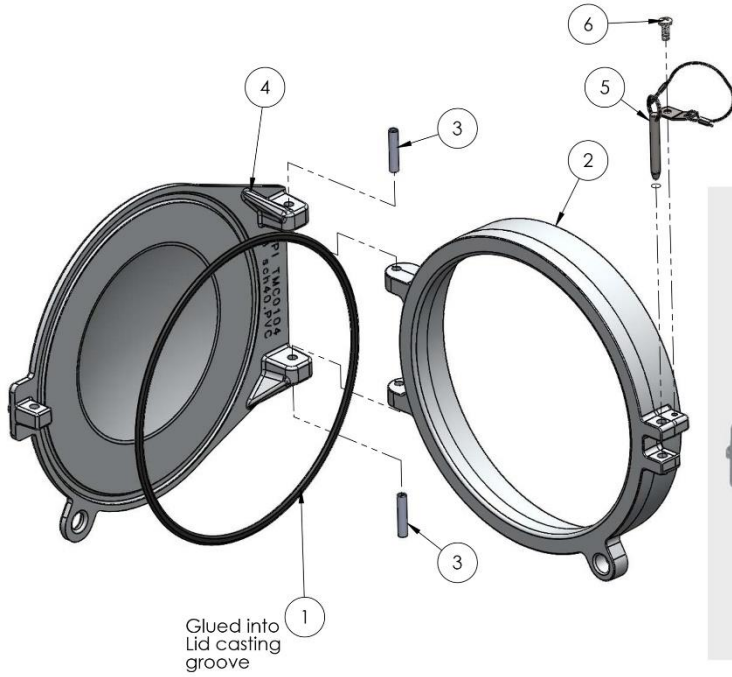


### TMC1046-5 Kit

Pike Pole / Hot Stick - Lid, Flange and End Cap Assembly with Tall Stanchion Kit (for schedule 40 PVC 6.00")



## TMC1048



## TMC1048-5

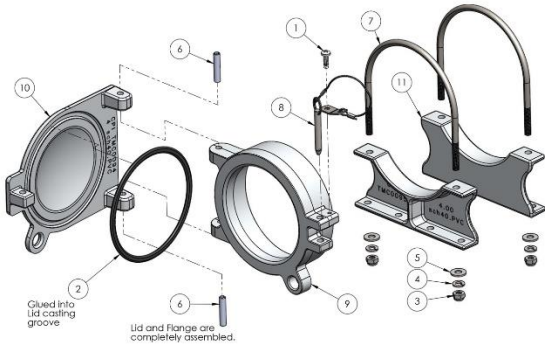
8.0" sch 40 PVC, Pike Pole / Hot Stick - Lid, Flange and Pin Assembly (for schedule 40 PVC 8.00" - not included)



## TMC1049

## TMC1049-5

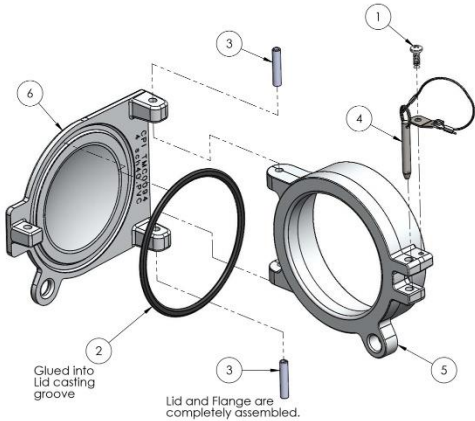
4.0" Sch 40 PVC - Pin Design - Pike Pole Tube Door Assembly



# TMC1050

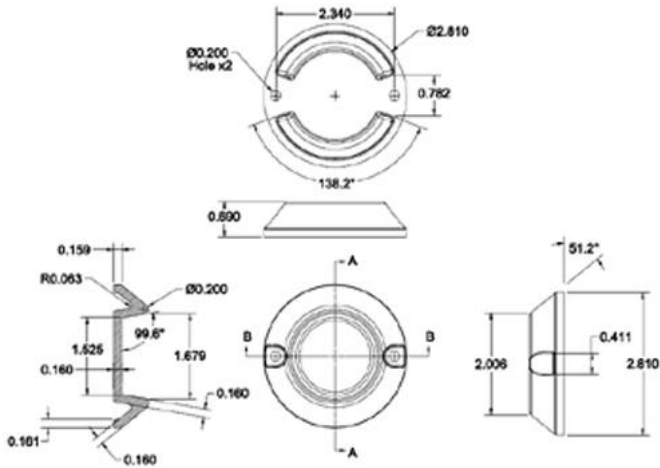
## TMC1050-5

4.0" Sch 40 PVC - Pin Design - Pike Pole Tube Door Assembly



## Stretcher Cups

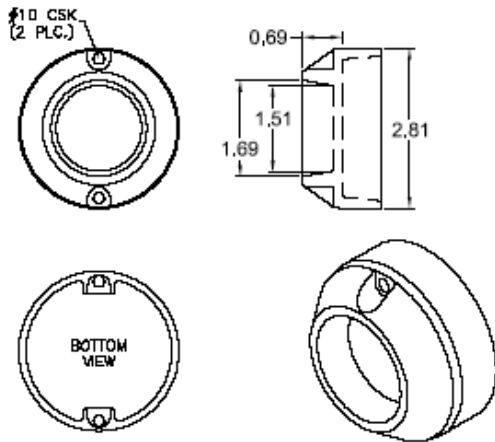
### STC0001



**STC0001**  
Post Cup (squad bench mounted)

1) Finish: Polished exterior.

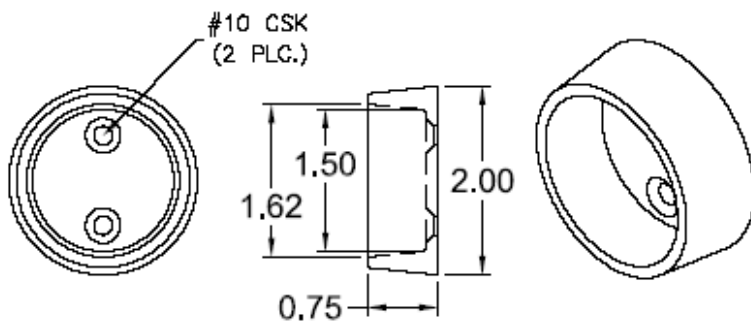
## STC0002



## STC0002 Elevated Post Cup (Squad Bench Mounted)

- 1) Finish: All exterior surfaces are polished.
- 2) Provides additional stretcher height for thicker squad bench cushions.

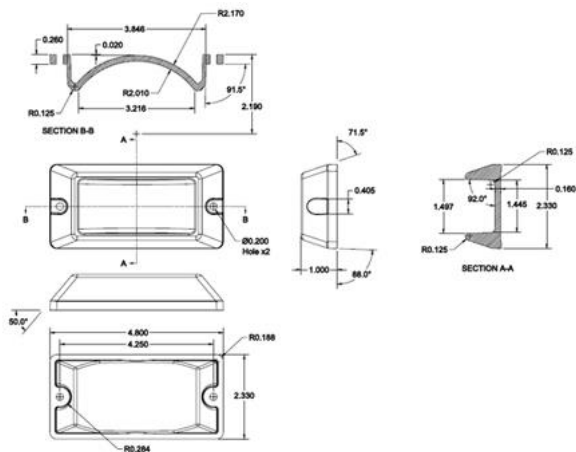
## STC0004



## STC0004 Post Cup (Squad Bench Mounted)

- 1) Finish: All exterior surfaces are polished.

## STC0005



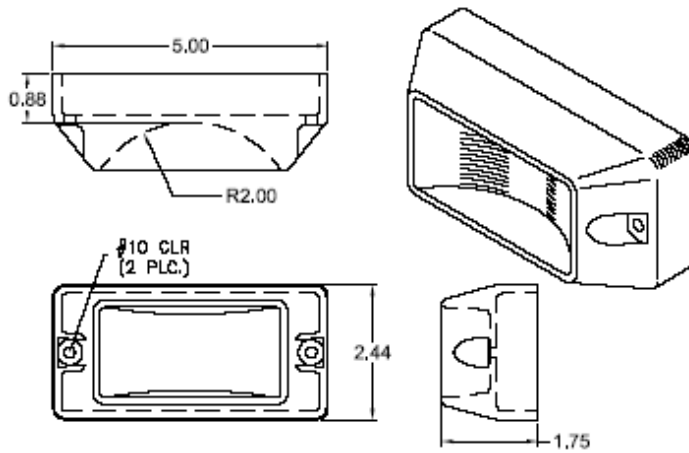
- 1) Finish: Polished exterior.
- 2) For 4" wheel casters

## STC0005 Wheel Cup (squad bench mounted)





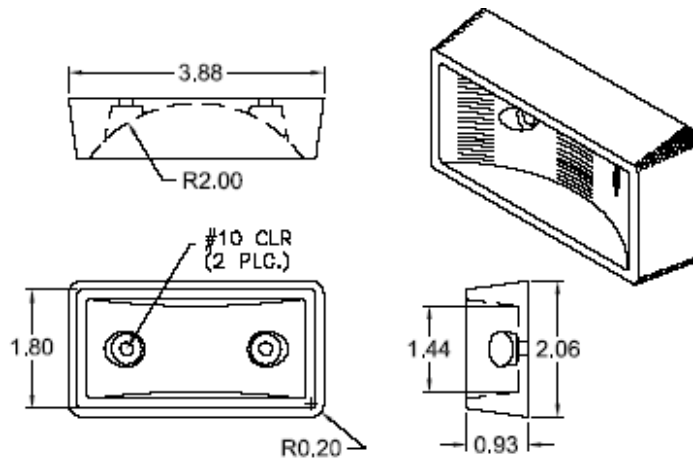
## STC0006



## STC0006 Elevated Wheel Cup (Squad Bench Mounted)

- 1) Finish: All exterior surfaces are polished.
- 2) Standard for stretcher with 4" diameter casters.
- 3) Provides additional stretcher height for thicker squad bench cushions.

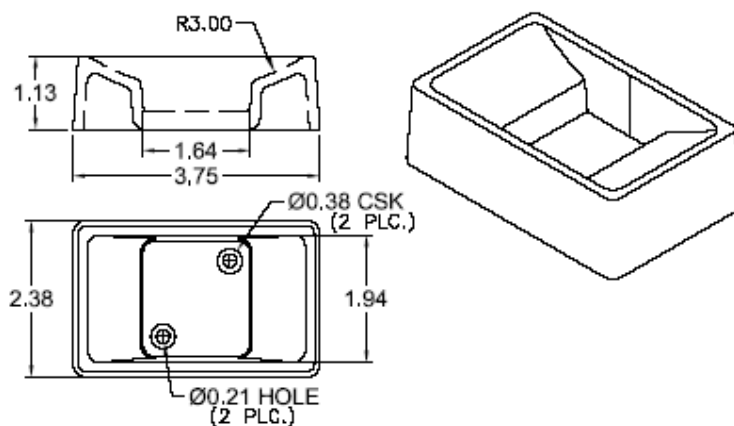
## STC0008



## STC0008 Recessed Wheel Cup (Squad Bench Mounted)

- 1) Finish: All exterior surfaces are polished.
- 2) Standard for stretcher with 4" diameter casters.

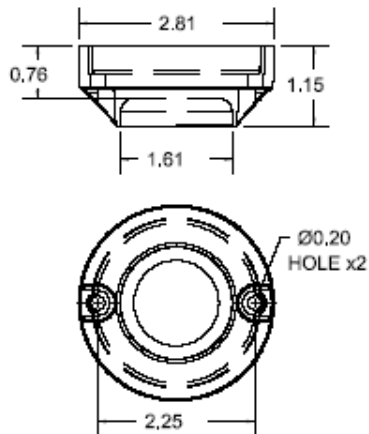
## STC0014



## STC0014 Single Post / Wheel Cup

- 1) Finish: All exterior surfaces are polished.

## STC0017

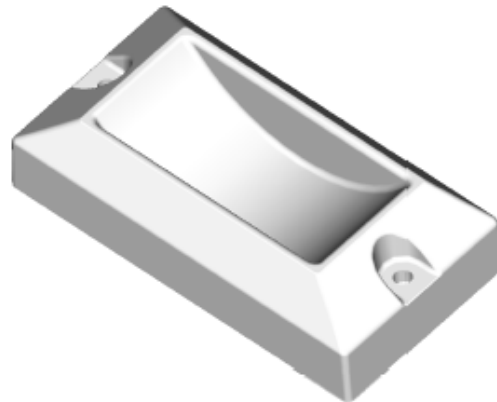
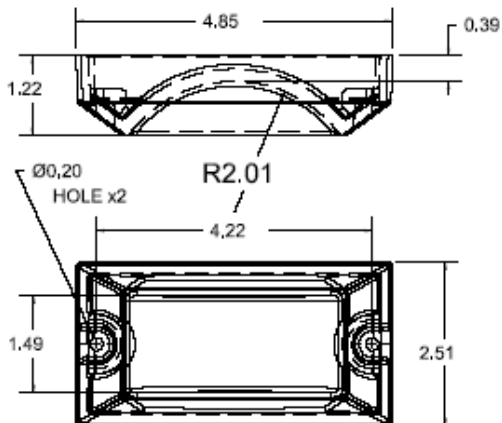


## STC0017

### 1.50" Dia Post Cup

1) Finish: All exterior surfaces are polished.

## STC0019



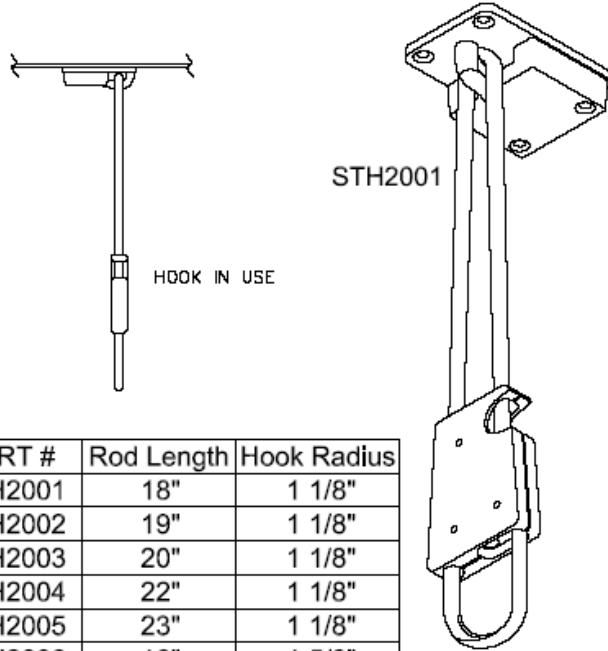
## STC0019

### R2" Wheel Cup

1) Finish: all exterior surfaces are polished.

# Stretcher Hangers

## STH2001 thru STH2009



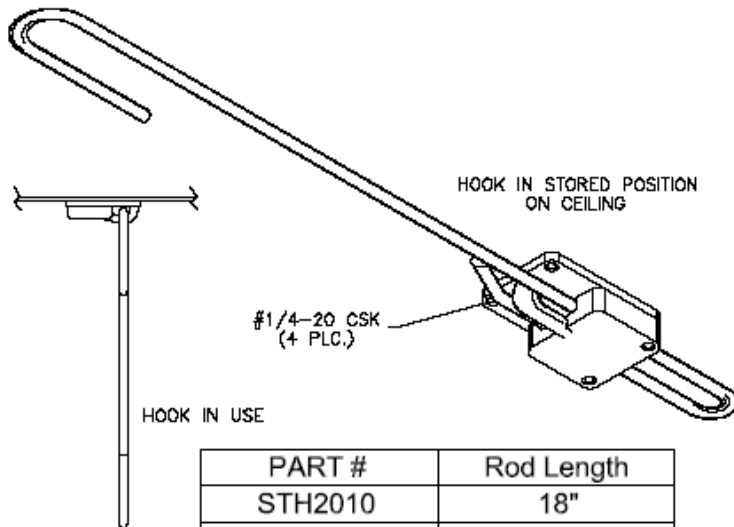
## STH2001 - STH2009

### Ceiling Stretcher Hanger with Positive Retention Latch

- 1) Finish: Designed with a positive retention latch for security when in use.
- 2) STH2001 - STH2005: 1 1/8" inside radius hook (Commercial).  
STH2006 - STH2009: 1 5/8" Inside radius hook (GSA).

PART #	Rod Length	Hook Radius
STH2001	18"	1 1/8"
STH2002	19"	1 1/8"
STH2003	20"	1 1/8"
STH2004	22"	1 1/8"
STH2005	23"	1 1/8"
STH2006	16"	1 5/8"
STH2007	19"	1 5/8"
STH2008	20"	1 5/8"
STH2009	23"	1 5/8"

## STH2010 thru STH2017



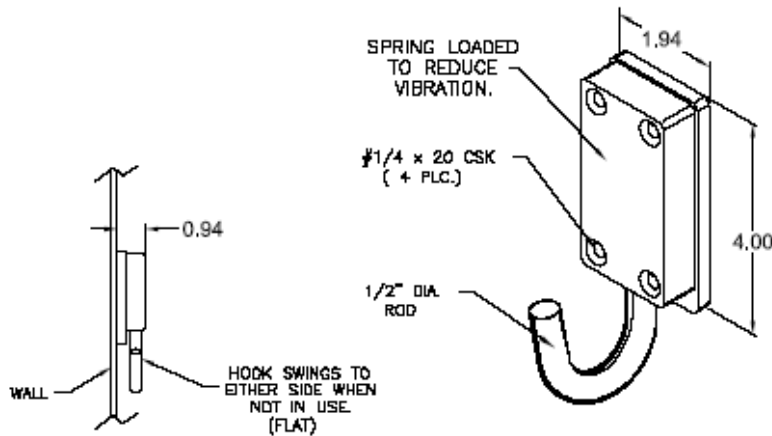
## STH2010 - STH2017

### Ceiling Stretcher Hanger

- 1) Hook is permanently attached to ceiling hanger to prevent misplacement or loss.
- 2) Rubber Inserts in storage slide minimize friction and vibration noise.
- 3) Hook made of 3/8" 6061-T6 aluminum rod.
- 4) Finish: all parts are polished.
- 5) Radiused edges and corners for safety.

PART #	Rod Length
STH2010	18"
STH2011	19"
STH2012	20"
STH2013	21"
STH2014	23"
STH2015	25"
STH2016	26"
STH2017	28"

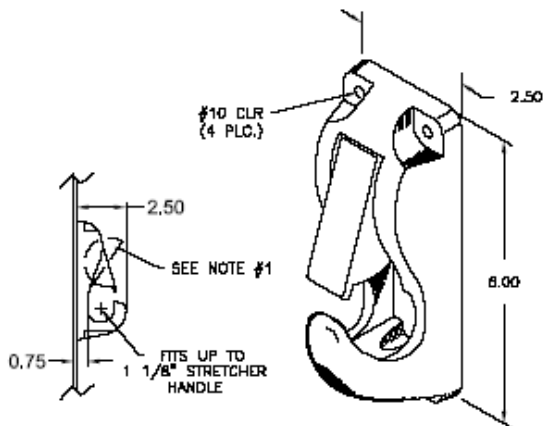
## STH2018



## STH2018 Stretcher Hook

- 1) Hook made of 3/8" 6061-T6 aluminum rod.
- 2) Finish: all parts are polished.
- 3) Swivel Hook to allow storage against the wall then not in use.

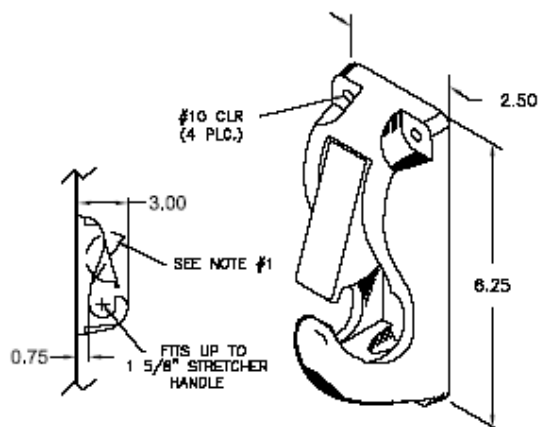
## STH2019



## STH2019 Positive Retention Wall Hook 1 1/8" ID (Commercial)

- 1) Finish: All parts are polished.
- 2) Provides positive retention hook and a latch to support stretcher, to keep stretcher from bumping out of hook.

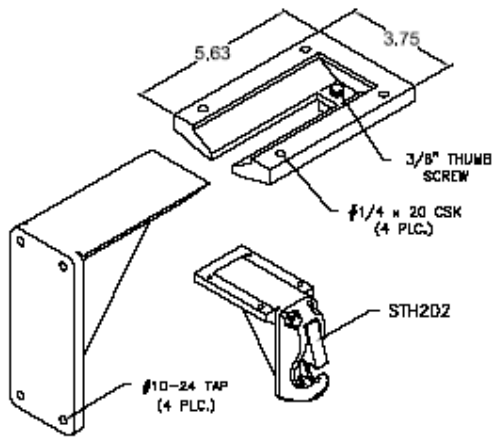
## STH2020



## STH2020 Positive Retention Wall Hook 1 5/8" ID (Commercial)

- 1) Finish: All parts are polished.
- 2) Provides positive retention hook and a latch to support stretcher, to keep stretcher from bumping out of hook.

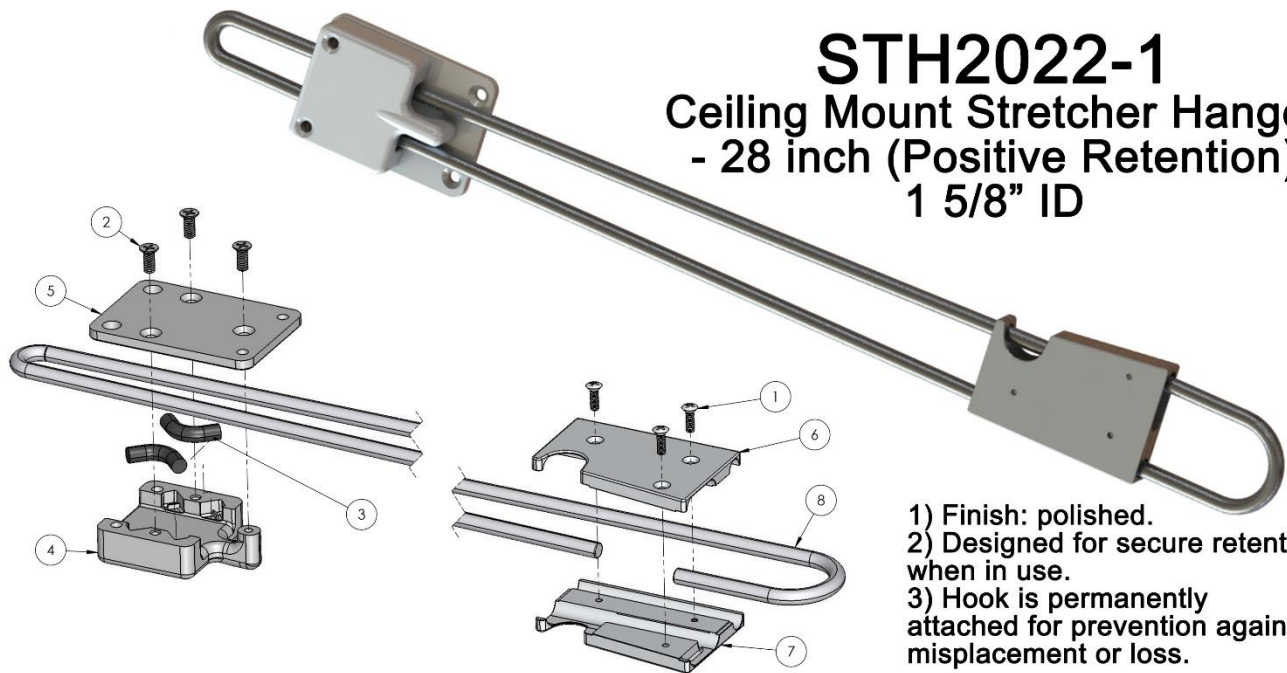
## STH2021



## STH2021 Removable Cabinet Bracket

- 1) Holds part STH2020 when in use.
- 2) Removable bracket for storage when not in use.
- 3) Finish: bead-blasted.

## STH2022



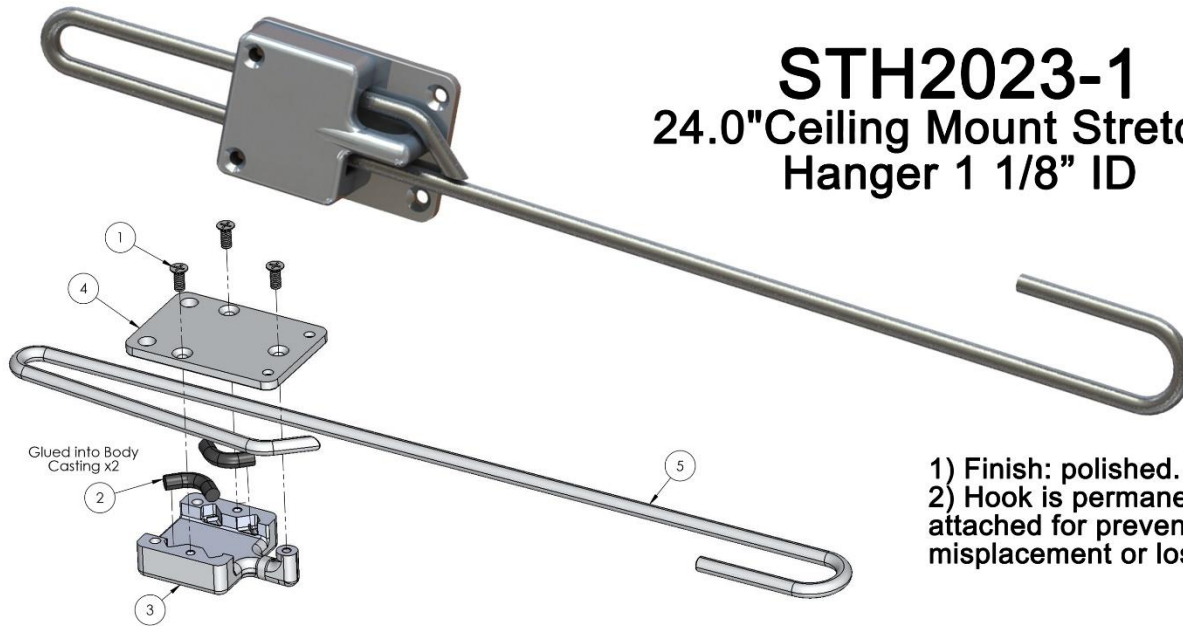
## STH2022-1 Ceiling Mount Stretcher Hanger - 28 inch (Positive Retention) 1 5/8" ID

- 1) Finish: polished.
- 2) Designed for secure retention when in use.
- 3) Hook is permanently attached for prevention against misplacement or loss.

**STH2023**

# STH2023-1

24.0" Ceiling Mount Stretcher  
Hanger 1 1/8" ID

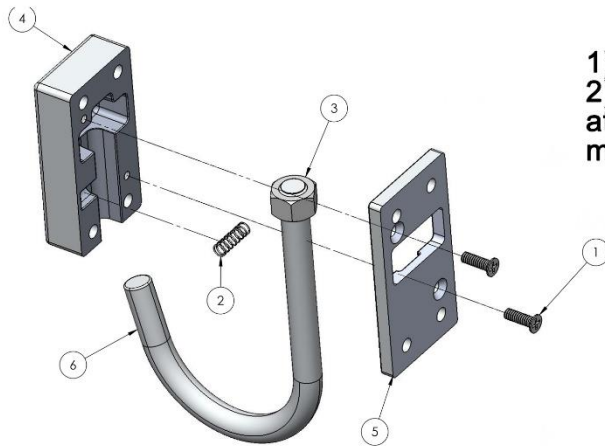


- 1) Finish: polished.
- 2) Hook is permanently attached for prevention against misplacement or loss.

**STH2024**

# STH2024-1

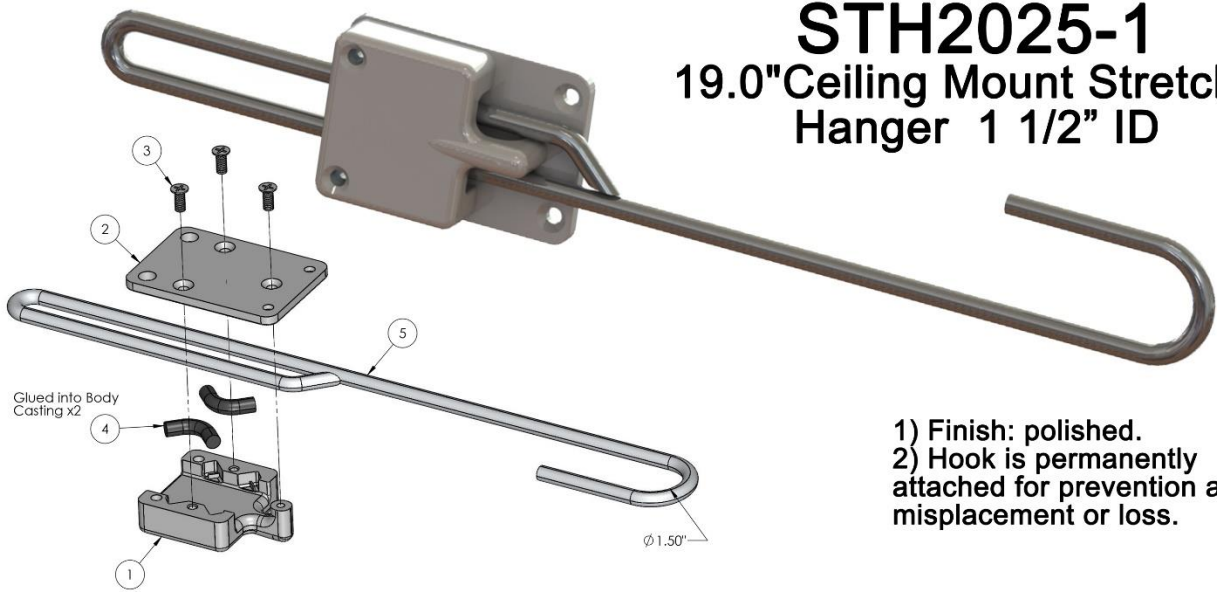
R1.40" ID, Stretcher Hook - wall  
mount



- 1) Finish: polished.
- 2) Hook is permanently attached for prevention against misplacement or loss.



## STH2025

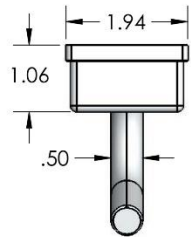


## STH2025-1

### 19.0" Ceiling Mount Stretcher Hanger 1 1/2" ID

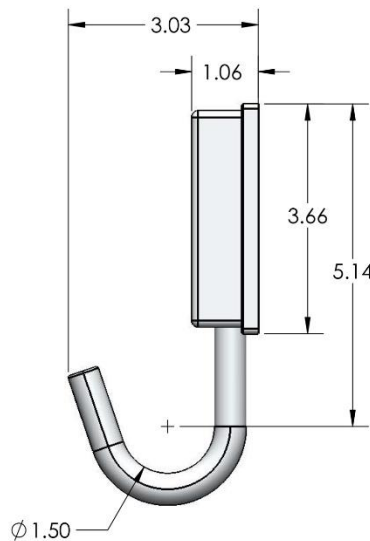
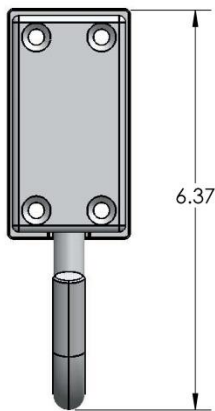
- 1) Finish: polished.
- 2) Hook is permanently attached for prevention against misplacement or loss.

## STH2026



## STH2026-1

### 1.50" ID, Stretcher Hook - wall mount



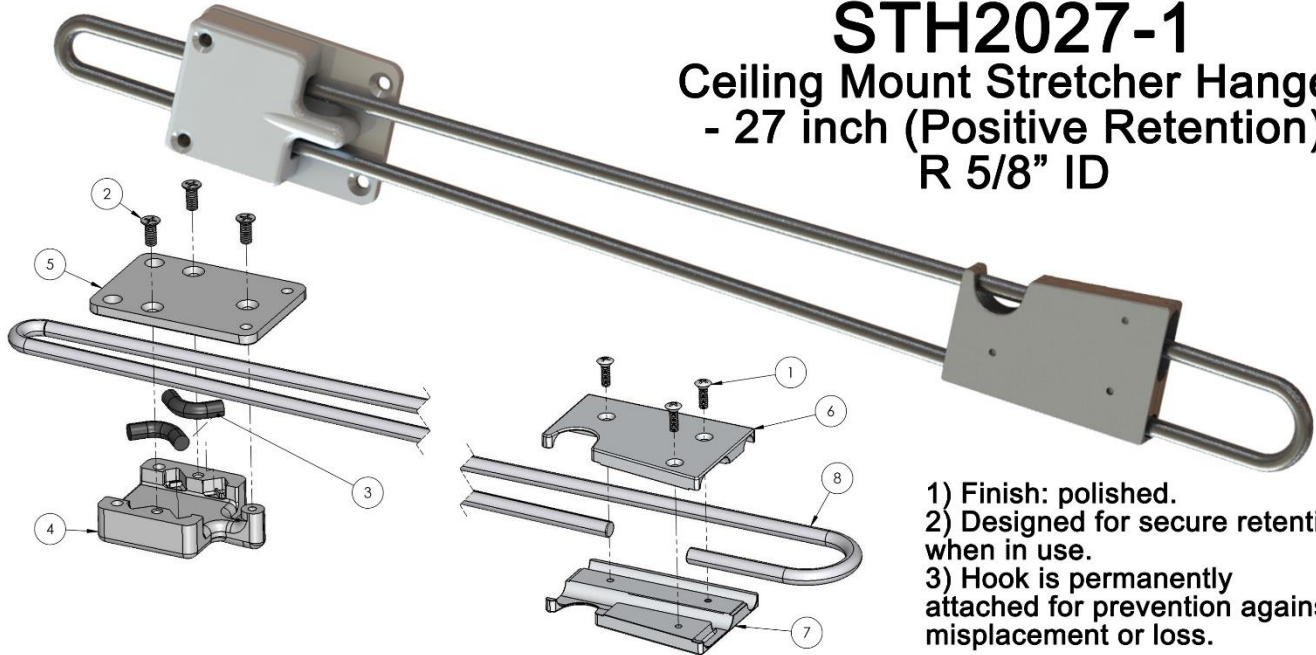
1. Finish: AL Rod, Body and Backplate are polished.
2. Hook Swivels flat to wall in either direction.



**STH2027**

# STH2027-1

Ceiling Mount Stretcher Hanger  
- 27 inch (Positive Retention)  
R 5/8" ID

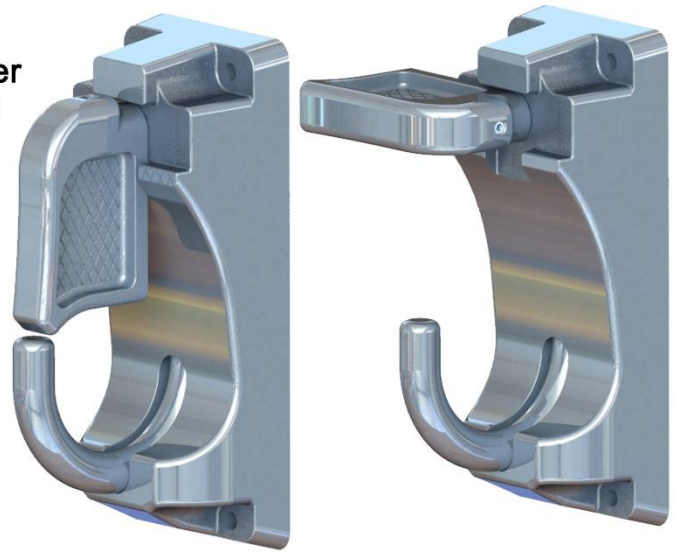
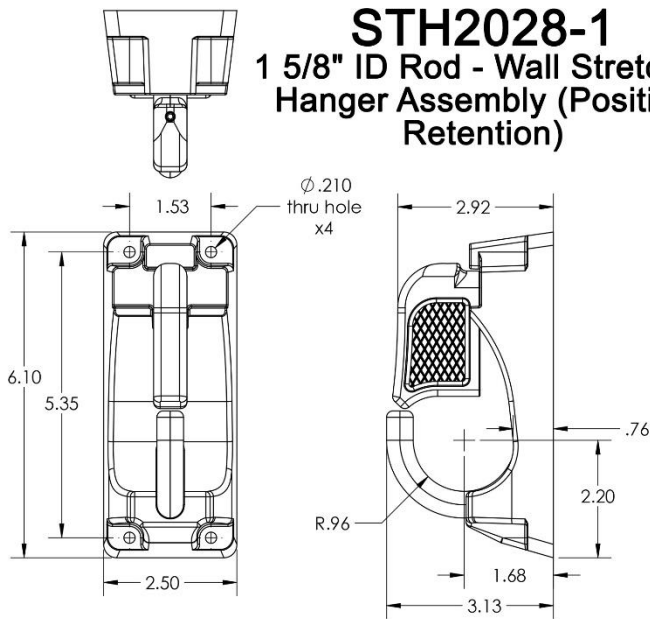


- 1) Finish: polished.
- 2) Designed for secure retention when in use.
- 3) Hook is permanently attached for prevention against misplacement or loss.

**STH2028**

# STH2028-1

1 5/8" ID Rod - Wall Stretcher Hanger Assembly (Positive Retention)

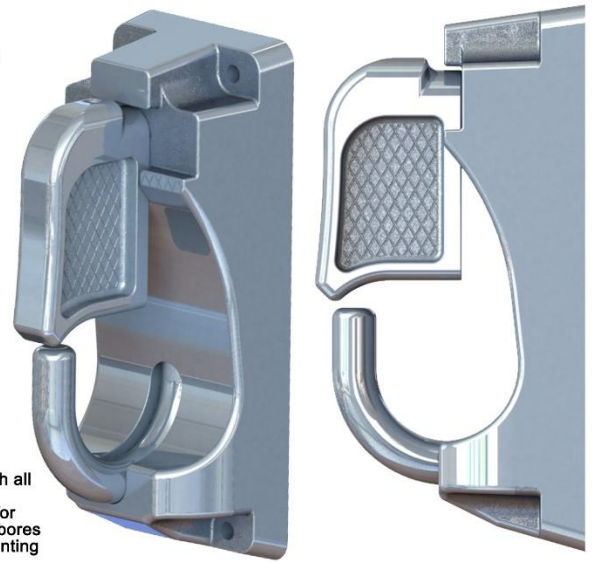
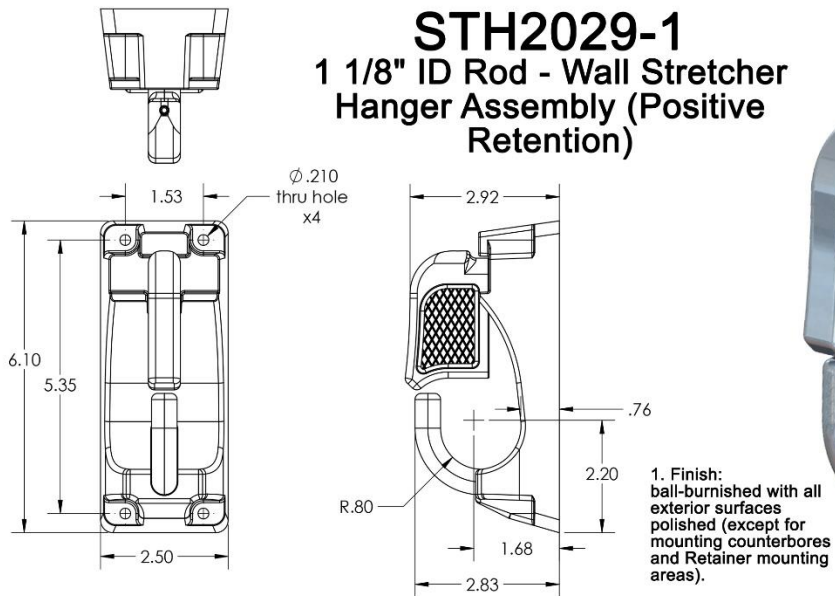


- 1. Finish: ball-burnished with all exterior surfaces polished (except for mounting counterbores and Retainer mounting areas).



## STH2029

### STH2029-1 1 1/8" ID Rod - Wall Stretcher Hanger Assembly (Positive Retention)

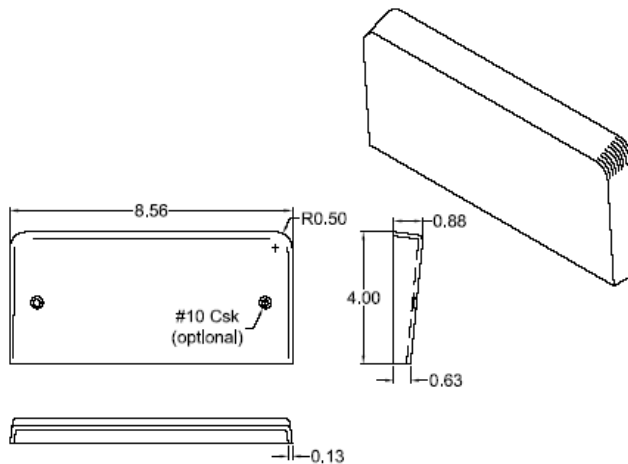


## Vent Covers

### VC0001

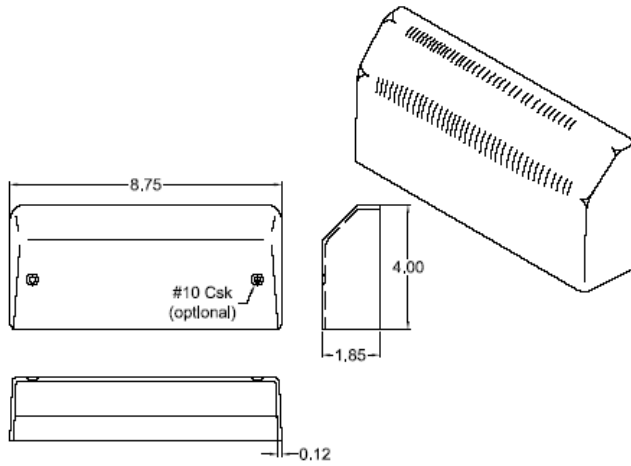
### VC0001

### Vent Cover



- 1) Finish: 120 grit ground and brushed.
- 2) Designed to weld on, but can be supplied with 2 #10 countersunk holes for tie down screws or no holes.

## VC0002

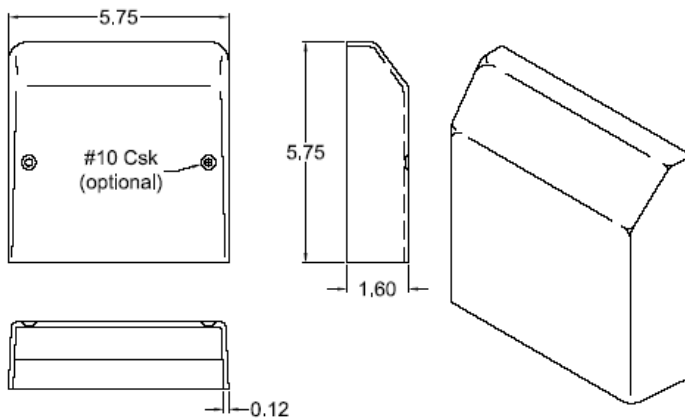


## VC0002

### Vent Cover

- 1) Finish: 120 grit ground and brushed.
- 2) Designed to weld on, but can be supplied with 2 #10 countersunk holes for tie down screws or no holes.

## VC0003

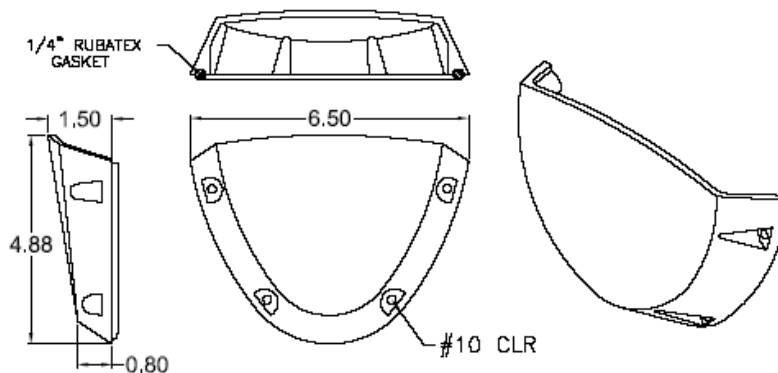


## VC0003

### Vent Cover

- 1) Finish: 120 grit ground and brushed.
- 2) Designed to weld on, but can be supplied with 2 or 4 #10 countersunk holes for tie down screws or no holes.

## VC0004



## VC0004

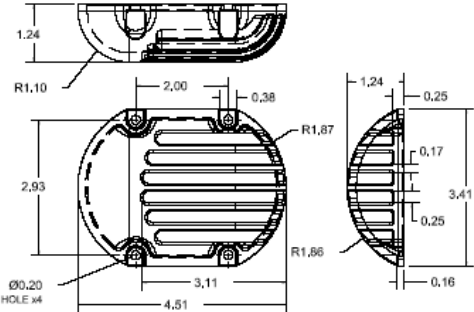
### Vent Cover

- 1) Finish: bright polished or bead-blasted.
- 2) Designed to cover the holes cut for venting of the module body or engine compartments (hood).

**VC0007**

**VC0007**  
**Intake Vent Cover**

1) Finish: ball-burnished.

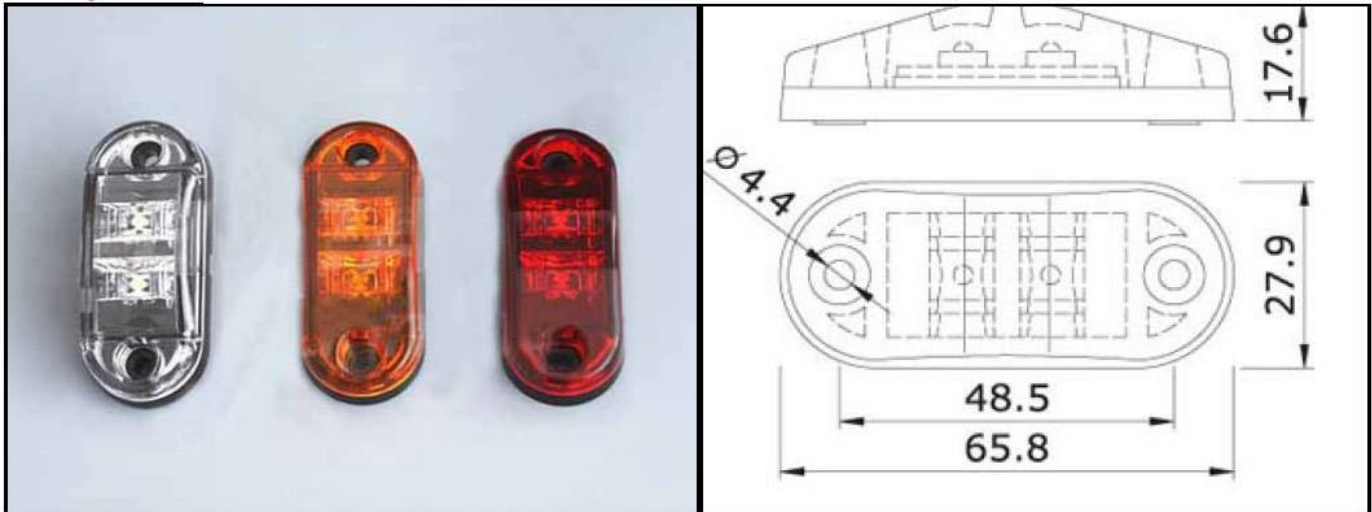


**LED Lights and Accessories**



**Surface Mount LED Marker Lights, & Light Guards**

**Available in Clear, Red and Amber DOT/SAE Compliant**



**Part Numbers, Descriptions and Electrical Performance**

Part No.	Desc.	# of led	Color	Current at 13.8 Vdc
WL0501-R-A Marker Lamp		2	Red	60 mA (0.06 Amps)
WL0501-A-A Marker Lamp		2	Amber	60 mA (0.06 Amps)
WL0501-C-A Marker Lamp		2	Clear	30 mA (0.03 Amps)
WL0501-TRIM Details see below				



WL0501-TRIM-N 67.3L x 33.3W x 20.6H Bright Stainless Steel	WL0501-TRIM-W 67.3L x 41.2W x 20.6H Bright Stainless Steel	WL0501-GASKET-R 71.6L x 34W x 7.6H Rubber	WL0501-TRIM-A 81L x 44W x 9H Chrome Plated Plastic	WL0501-TRIM-B 100L x 36W x 10H Chrome Plated Plastic	LH91102 89.4L x 52W x 21.3H Chrome Plated Alum
--	--	---	--	--	--

- Height dimensions do not include gasket thickness. Add approximately 2.5 mm
- All Trim Guards and Marker lights are supplied with gaskets
- All Marker lights have 12" lead wires
- The marker lights comply with requirements of the US DOT 03 and SAE P2P3
- Mounting hardware not included



## Warranty and Returns

### **Warranty: General products;**

Cast Products, Inc. (CPI) warrants all aluminum castings, stainless steel stampings, aluminum extrusions, rubber or plastic molded products manufactured by CPI to be free of defects due to material and or workmanship sixty days from the CPI shipping date. This warranty does not cover ordinary wear, negligence, alterations or deterioration of surface finish due to lack of cleaning and or polishing in normal use. It is the responsibility of the purchaser / owner to routinely clean and polish the surface of the product to maintain the original shine and luster as delivered.

### **Warranty: Siren speaker drivers;**

Cast Products, Inc. (CPI) warrants all new siren speaker drivers for a period of two years under normal use and service, from the marked product date code to the end user. This warranty does not cover speaker drivers subjected to abuse, misuse, improper operating voltage, modifications or incorrect installations. This warranty does not cover deterioration of the speaker housing surface finish beyond the sixty days as stated for aluminum castings. It is the responsibility of the purchaser / owner to routinely clean and polish the surface of the product to maintain the original shine and luster as delivered.

### **Warranty: Chrome plated and powder coated castings;**

Cast Products, Inc. (CPI) warrants all chrome plated and powder coated castings manufactured by CPI to be free of defects due to material or workmanship for a period not to exceed one (1) year from the CPI shipping date. This warranty does not cover ordinary wear, negligence, or alterations made by the purchaser or deterioration of surface finish due to lack of cleaning and or polishing of the material in normal use. It is the responsibility of the purchaser / owner to routinely clean the surface of the product to maintain the original shine and luster as delivered.

### **Warranty: Lights / LED Lights;**

Cast Products, Inc. (CPI) warrants Lights / LED Lights to be free of defects due to material or workmanship for a period not to exceed one (1) year from the CPI shipping date (Supplier Warranty).

### **Product Returns Policy:**

No product may be returned for credit without the prior authorization from Cast Products, Inc. (CPI). Contact CPI at [returns@getcpi.com](mailto:returns@getcpi.com) for a return authorization number to insure proper crediting to your account. Any product returned without the return authorization will be returned freight collect. A minimum restocking fee of 25% may apply. Returns will be inspected for improper packaging and shipping damage and at CPI's discretion; a charge for repairing or refinishing may apply.

***This warranty does not cover travel expenses, the cost of specialized equipment for gaining access to the product, or labor charges for removal and re-installation of the product.***

# Index

AD0001.....	16	DH0011.....	39	FA0032.....	65	FG0006-2_Cyl_Lock.....	93
AD0002.....	16	DH0016 and -A.....	40	FA0035.....	66	FG0006-2_Friction.....	94
AD0003.....	16	DH0017 and -A.....	40	FA0036.....	66	FG0501.....	95
AD0004.....	17	DH0018 and -A.....	41	FA0037.....	69	FG0901.....	95
AD0005.....	17	DH0019 and -A.....	41	FA0039.....	70	FG1501.....	96
AD0006.....	17	DH0020 and -A.....	42	FA0040.....	67	FG1801.....	96
AD0007.....	18	DH0022 and -A.....	42	FA0041.....	67	FG2001.....	97
AD0008.....	18	DH0024.....	43	FA0042.....	68	FG2101.....	97
AD0009.....	18	DH0025.....	43	FA0043.....	69	FG2102.....	98
AD0010.....	19	DH0028.....	43	FA0044.....	70	FG2103.....	98
AD0011.....	19	DH0029.....	44	FA0045.....	71	FG2104.....	99
AD0012.....	19	DH0030.....	44	FA2002.....	71	FG2201.....	99
AD0013.....	20	DH0031.....	44	FA2003.....	72	FG2204.....	100
AD0014.....	20	DH0032.....	45	FA2004.....	72	FG2205.....	100
AD0015.....	20	DH0033.....	45	FA2005.....	72	FG2206.....	101
AD0016.....	21	DH0036.....	45	FA2006.....	73	FG2207.....	102
AD0017.....	21	DH0041 and -A.....	46	FA2011-5 FA2011-5-A.....	73	FG2208.....	102
AD0018.....	21	DH0042.....	46	FA4003.....	74	FG3001.....	103
AD0019.....	22	DH0043.....	47	FA4004.....	74	FG3101.....	103
AD0020.....	22	DH0046.....	47	FA4005.....	74	FG4101.....	103
AD0021.....	22	DH0050.....	48	FA4007.....	75	FG4102.....	104
AD0022.....	23	DH0051.....	48	FA4008.....	75	FG4103.....	104
AD0023.....	23	DH0052.....	49	FA4010.....	75	FG4104.....	104
AD0025.....	23	DH0052-B.....	49	FA4011.....	76	FG4201.....	105
AD0026.....	24	DH0053.....	50	FA4012.....	76	FG4202.....	105
AD0027.....	24	DH0054.....	50	FA4013.....	76	FG4204.....	106
AD0028.....	24	DH0058.....	51	FA4014.....	77	FG4205.....	107
AD0029.....	25	EB0001.....	51	FA4014-A.....	77	FG4501.....	108
AD0030.....	25	EB0002.....	52	FA4015.....	78	FG4502.....	108
AD0032.....	26	EB0003.....	52	FA4015-A.....	78	FG4503.....	109
AD0034.....	26	EB0004.....	52	FA4016.....	79	FG4504.....	109
AD0035.....	27	EB0005.....	53	FA4016-A.....	79	FG5301.....	110
AD0037.....	27	EB0006.....	53	FA4018.....	80	FG5302.....	110
AD0038.....	28	EB0007.....	53	FA5001.....	80	FG5303.....	110
AD0039.....	28	EB0008.....	54	FA5002.....	81	FG5304.....	111
AD0040.....	29	EB0009.....	54	FA5003.....	81	FG5305.....	111
AD0042, AD0042-C, AD0042-L.....	29	EB001.....	55	FC4002.....	82	FG5306.....	112
AD2001.....	30	EB0010.....	55	FC4003.....	82	FG5307.....	112
AD2002.....	31	EB0012.....	56	FC4004.....	82	FG5308.....	112
ADC0141.....	32	EB0013.....	56	FC4005.....	83	FG5309.....	113
ADM0001.....	32	EB0014.....	57	FD1002.....	83	FG5310.....	113
ADM0002.....	33	EB0015.....	58	FD1004.....	83	FG5501.....	113
ADM0004.....	33	EB0016.....	59	FD1005.....	84	FG5502.....	114
BC0001.....	34	EB0017.....	60	FD1006.....	84	FG5503.....	114
BC0002.....	34	FA0002.....	60	FD1007.....	84	FG5504.....	115
BC0003.....	34	FA0004.....	61	FD1008.....	85	FG5701.....	115
BC0006.....	35	FA0006.....	61	FD1009.....	86	FG5703.....	116
BC0010.....	35	FA0012.....	62	FD1010.....	86	FG5704.....	117
BC0011.....	35	FA0013.....	62	FD1011.....	87	FG6501.....	117
BC0012.....	36	FA0018.....	62	FD1012.....	87	FGL0022 FGL0042 FGL0053.....	118
BC0013.....	36	FA0019.....	63	FD1013.....	88	.....	119
BCH0001.....	37	FA0020.....	63	FD1014.....	88	FGT0022 FGT0042 FGT0053.....	119
BCH0002.....	37	FA0021.....	63	FD1015.....	89	.....	120
DH0001.....	38	FA0026.....	64	FD1016.....	89	FR0001.....	120
DH0002.....	38	FA0027.....	64	FD1017.....	90	FR0006.....	120
DH0006.....	38	FA0028.....	64	FG0001.....	90	FR0009.....	120
DH0007.....	39	FA0029.....	65	FG0002-A.....	91	FR0010.....	121
DH0008.....	39	FA0030.....	68	FG0002-B.....	91	FR0011.....	121
		FA0031.....	65	FG0003.....	92		

FR0012.....	121	LB0011.....	151	LH37202.....	179	LH37736.....	209
FR0013.....	122	LB0013.....	151	LH37203.....	179	LH37737.....	210
FR0014.....	122	LB0019.....	151	LH37205.....	180	LH37738.....	210
FR0015.....	122	LB0020.....	152	LH37206.....	180	LH37739.....	210
FR0021.....	123	LB0021.....	152	LH37208.....	180	LH37744.....	211
FR0022.....	123	LB0022.....	152	LH37209.....	181	LH37745.....	211
FR0025.....	123	LB0023.....	153	LH37210.....	181	LH37746 LH37747.....	211
FR0026.....	124	LB0024.....	153	LH37213.....	181	LH37748 LH37749.....	212
FR0027.....	124	LB0025-A.....	153	LH37214.....	182	LH37750 LH37751.....	212
FR0028.....	124	LB0025-B.....	154	LH37225 LH37226.....	182	LH37752 LH37753.....	212
FR0029.....	125	LB0026.....	154	LH37227 LH37228.....	183	LH37754 LH37755.....	213
FR0030.....	125	LB0028.....	154	LH37229 LH37230.....	183	LH37756 LH37757.....	213
FR0041.....	125	LB0029.....	155	LH37231 LH37232.....	184	LH37758 LH37759.....	213
FR0043.....	126	LB0031.....	155	LH37233 LH37234.....	185	LH37762 LH37763.....	214
FR0044.....	126	LB0032.....	155	LH37235 LH37236.....	186	LH37764 LH37765.....	214
FR0045.....	127	LB0033.....	156	LH37237 LH37238.....	187	LH37766 LH37767.....	215
FR0046.....	127	LB0034.....	156	LH37239 LH37240.....	188	LH37768 LH37769.....	215
FR0047.....	127	LB0041-A.....	157	LH37241 LH37242.....	189	LH37770 LH37771.....	216
FR0048.....	128	LB0041-B.....	158	LH37243 LH37244.....	190	LH37772 LH37773.....	216
FR0049.....	128	LB0045.....	159	LH37245 LH37246.....	191	LH37774 LH37775.....	217
FR0051.....	129	LB0048.....	159	LH37247 LH37248.....	192	LH37776 LH37777.....	217
FR0052.....	129	LB0049-A.....	160	LH37251.....	193	LH37778 LH37779.....	218
FR0054.....	130	LB0049-B.....	160	LH37252.....	193	LH37780 LH37781.....	218
FR042.....	126	LB0051 LB0052.....	161	LH37253 LH37254.....	194	LH37782 LH37783.....	219
FR1004.....	130	LB0053 LB0054.....	161	LH37301.....	194	LH37784 LH37785.....	219
FR101294021.....	131	LB0057 LB0058.....	162	LH37501.....	194	LH37786 LH37787.....	220
FR101294022.....	131	LB0059 LB0060.....	163	LH37502.....	195	LH37788 LH37789.....	221
FS0002.....	132	LH0010.....	164	LH37607.....	195	LH37790 LH37791.....	221
FS0003.....	132	LH10101.....	164	LH37611.....	195	LH37792 LH37793.....	222
HD0002.....	136	LH10201.....	165	LH37612.....	196	LH37794 LH37795.....	222
HD0005.....	136	LH14701.....	165	LH37620.....	196	LH37796 LH37797.....	223
HD0007.....	136	LH14702.....	165	LH37621.....	196	LH37798 LH37799.....	223
HD0008.....	137	LH20101.....	166	LH37630.....	197	LH37M101.....	224
HD0009.....	137	LH20103.....	166	LH37631.....	197	LH37M601 LH37M602.....	224
HD0010.....	137	LH20104.....	167	LH37632.....	197	LH37M705 LH37M706.....	225
HD0011.....	138	LH20105.....	167	LH37633.....	198	LH46001.....	225
HD0012.....	138	LH20201.....	167	LH37638.....	198	LH46103.....	226
HD0013.....	138	LH20205.....	168	LH37639.....	198	LH46104.....	226
HD0015.....	139	LH20206.....	168	LH37640.....	199	LH46105.....	226
HD0016.....	139	LH23201.....	169	LH37641.....	199	LH46106.....	227
HD0019.....	139	LH23202.....	169	LH37642.....	199	LH46107.....	227
HD0020.....	140	LH23501.....	169	LH37643.....	200	LH46109.....	227
HD0022.....	140	LH32101.....	170	LH37646.....	200	LH46110.....	228
HD0027.....	140	LH32102.....	170	LH37647.....	200	LH46111.....	228
HD0028.....	141	LH32201.....	171	LH37650 LH37651.....	201	LH46112.....	228
HD0029.....	141	LH32301.....	171	LH37656 LH37657.....	201	LH46113.....	229
HD0030.....	141	LH34203.....	172	LH37658 LH37659.....	201	LH46114.....	229
HD0031.....	142	LH34M4701 LH34M4702.....	172	LH37662 LH37663.....	202	LH46115.....	229
HD0035.....	142	LH35101.....	173	LH37664 LH37665.....	202	LH46116.....	230
HD0041.....	142	LH35202.....	173	LH37666 LH37667.....	203	LH46117.....	230
HD0045.....	143	LH35603.....	173	LH37668 LH37669.....	203	LH46118.....	230
HD0046.....	143	LH35604.....	174	LH37670 LH37671.....	204	LH46119.....	231
HD0047.....	144	LH35703.....	174	LH37672 LH37673.....	204	LH46120.....	231
HD0050 HD0051.....	144	LH35704.....	174	LH37674 LH37675.....	205	LH46121.....	231
HD0052.....	145	LH35709 LH35710.....	175	LH37676 LH37677.....	205	LH46122.....	232
HD0053.....	145	LH37008.....	175	LH37678 LH37679.....	206	LH46123.....	232
HD4001-1.....	146	LH37101.....	175	LH37701.....	206	LH46124.....	232
HD4002-1.....	146	LH37102.....	176	LH37702.....	207	LH46125.....	233
IV2001.....	147	LH37104.....	176	LH37703.....	207	LH46126.....	233
IV2002.....	147	LH37105.....	176	LH37712.....	207	LH46127.....	233
IV2007.....	148	LH37106.....	177	LH37713.....	208	LH46128.....	234
IV2008.....	149	LH37107.....	177	LH37722.....	208	LH46129.....	234
LB0004.....	150	LH37108.....	177	LH37723.....	208	LH46130.....	234
LB0005.....	150	LH37109.....	178	LH37734.....	209	LH46131.....	235
LB0006.....	150	LH37201.....	179	LH37735.....	209		

LH46132.....	235	LH90201 .....	262	OA1101 OA1102 OA1103		SA3801 .....	312
LH46201.....	235	LH90301 .....	262	OA1107 .....	287	SA3804 .....	314
LH46202.....	236	LH90405 .....	263	OA1104 OA1105.....	288	SA4201 .....	322
LH46301.....	236	LH90504 .....	263	OA1201 OA1202.....	289	SA4204 .....	323
LH46501.....	236	LH90603 .....	263	OA1205.....	290	SA4206 .....	323
LH46502.....	237	LH90902 .....	264	PL1015.....	133	SA4208 .....	323
LH46601.....	237	LH91102 .....	264	PL1016.....	134	SA4209 .....	324
LH46602.....	237	LH91201 .....	264	PL1017.....	135	SA4210 .....	324
LH46603.....	238	LH91203 .....	265	RG0005.....	291	SA4225 .....	325
LH46604.....	238	LH91401 .....	265	RG0007.....	291	SA4226 .....	325
LH46707.....	238	LP0002 .....	265	RG0013 .....	291	SA4227 .....	326
LH46708.....	239	LP0002-C.....	266	RG0014 .....	292	SA4301 .....	326
LH46709.....	239	LP0004 .....	266	RG0015.....	292	SA4303 .....	327
LH46710.....	239	LP0004-B.....	267	RG0016.....	292	SA4305 .....	327
LH52001.....	240	LP0005.....	267	RG0017.....	293	SA4306 .....	327
LH52501.....	240	LP0005-C.....	268	RG0020.....	293	SA4310 .....	328
LH52503.....	241	LP0007 .....	268	RG0021.....	293	SA4311 .....	328
LH52605 LH52606.....	241	LP0009.....	269	RG0025.....	294	SA4316 .....	328
LH52609 LH52610.....	242	LP0013 .....	269	RG0026.....	294	SA4317 .....	329
LH52611 LH52612.....	242	LP0014 .....	270	RG0030.....	294	SA4401 .....	329
LH52615 LH52616.....	243	MC0001 .....	270	RG0033.....	295	SA4402 .....	329
LH52617 LH52618.....	243	MC0003 .....	271	RG0034 .....	295	SA5403 .....	333
LH52619 LH52620.....	244	MC0005 .....	271	RG0035 .....	295	SA5414 .....	334
LH52621 LH52622.....	244	MC0010 .....	271	RG0036 .....	296	SA5501 .....	334
LH52623 LH52624.....	245	MC0011 .....	272	RG0037 .....	296	SA6004 .....	335
LH52625 LH52626.....	245	MC0017 .....	272	RG0040.....	296	SA6011 .....	335
LH52627 LH52628.....	246	MC0021 .....	272	RG0043.....	297	SA6016 .....	336
LH52703.....	246	MC0023 .....	273	RG0048.....	297	SA6113 .....	336
LH52704.....	247	MC0026 .....	273	RG0050.....	297	SA6114 .....	336
LH52707 LH52708.....	247	MC0027 .....	273	RG0057.....	298	SA6117 .....	337
LH52709 LH52710.....	248	MC0028 .....	274	RG0063.....	298	SA6118 .....	338
LH52711 LH52712.....	248	MC0033 .....	274	RG0064.....	298	SA6300 .....	339
LH52713 LH52714.....	249	MC0037 .....	274	RG0076.....	299	SA7001 .....	341
LH52715 LH52716.....	249	MC0052 .....	275	RG0077.....	299	SA7001-A.....	342
LH52717 LH52718.....	250	MC0061 .....	275	RG0078.....	299	SA7003 .....	342
LH52719 LH52720.....	250	MC0063 .....	275	RG0079.....	300	SA7004 .....	343
LH58201.....	251	MC0071 .....	276	RG0080.....	300	SA7006 .....	343
LH79101.....	251	MC0075 .....	276	RG0081.....	300	SA7007 .....	343
LH79102.....	251	MC0076 .....	276	RR0001 .....	301	SA7010 .....	344
LH79103.....	252	MC0077 .....	277	RR0007 .....	301	SA7011 .....	344
LH79104.....	252	MC0079 .....	277	RR0010 .....	301	SA7101 .....	345
LH79105.....	252	MC0080 .....	277	RR0012 .....	302	SAD3201 SAP3201.....	312
LH79106.....	253	MC0083 .....	278	RR0013 .....	302	SAD3801 SAP3801.....	313
LH79107.....	253	MC0089 .....	278	RR0014 .....	302	SAD3802 SAP3802.....	313
LH79108.....	253	MC0090 .....	278	RR0024 .....	303	SAD3803 SAP3803.....	314
LH79110.....	254	MC0091 .....	279	RR0027 .....	303	SAD3805 SAP3805.....	315
LH79201.....	254	MC0094 .....	279	RR0034 .....	303	SAD3806 SAP3806.....	315
LH79202.....	254	MC0096 .....	280	RR0035 RR0036.....	304	SAD3807 SAP3807.....	316
LH79205.....	255	MC0097 .....	280	RR0037 RR0038.....	304	SAD3808 SAP3808.....	316
LH79207.....	255	MC0098 .....	281	RR0040 RR0041.....	305	SAD3809 SAP3809.....	317
LH79209.....	255	MC0099 .....	281	RR0042 .....	305	SAD3810 SAP3810.....	317
LH79210.....	256	MC0101 .....	282	RR0043 .....	306	SAD3811 SAP3811.....	318
LH79211.....	256	MC0102 .....	282	RR0044 .....	306	SAD3813 SAP3813.....	318
LH79215 LH79216.....	256	MC0103 .....	283	SA1502 .....	307	SAD3815 SAP3816.....	319
LH79217 LH79218.....	257	MC0104 .....	283	SA2201 .....	308	SAD3819 SAP3820.....	319
LH79219 LH79220.....	257	MC51145 .....	284	SA2208 .....	308	SAD3821 SAP3822.....	320
LH79221 LH79222.....	258	OA0002.....	284	SA2301 .....	308	SAD3823 SAP3824.....	320
LH79223 LH79224.....	259	OA0003.....	284	SA2401 .....	309	SAD3826 SAP3825.....	321
LH79225 LH79226.....	259	OA0004.....	285	SA2403 .....	309	SAD3827 SAP3828.....	321
LH79227 LH79228.....	260	OA0005.....	285	SA2405 .....	309	SAD3829 SAP3830.....	322
LH79229 LH79230.....	260	OA0006.....	285	SA3203 .....	310	SAD4302 SAP4302.....	330
LH79301.....	261	OA0007.....	286	SA3501 .....	310	SAD4307 SAP4307.....	330
LH79302.....	261	OA0008.....	286	SA3502 .....	310	SAD4308 SAP4308.....	330
LH79304.....	261	OA0009.....	286	SA3503 .....	311	SAD4309 SAP4309.....	331
LH79311.....	262			SA3504 .....	311		



SAD4312 SAP4312 .....	331	SP2016-B .....	359	SS0007 .....	375	TMC0024 .....	381
SAD4314 SAP4314 .....	331	SP2017 .....	360	SS0014 .....	375	TMC0027 .....	382
SAD4318 SAP4318 .....	332	SP2018 .....	360	SS0018 .....	376	TMC0053 .....	382
SAD4319 SAP4319 .....	332	SP2023 .....	360	SS0019 .....	376	TMC0054 .....	383
SAD4321 .....	333	SP2024 .....	361	SS0022 .....	376	TMC0056 .....	383
SAD5401 SAP5401 .....	334	SP2025 .....	361	SS0025 .....	377	TMC0058 .....	384
SAD6007 SAP6007 .....	339	SP2026 .....	361	SS0028 .....	377	TMC0060 .....	384
SAD6301 SAP6301 .....	340	SP2027 .....	362	SS0031 .....	377	TMC0062 .....	385
SAD6302 SAP6302 .....	340	SP2028 .....	362	SS0034 .....	378	TMC0069 .....	386
SAD6303 SAP6303 .....	341	SP2029 .....	362	SS0037 .....	378	TMC0086 .....	386
SH0001 .....	346	SP2030 .....	363	SS0038 .....	379	TMC0090 .....	387
SP0003 .....	346	SP2032 .....	363	SS0039 .....	379	TMC1007 .....	388
SP0004 .....	347	SP2033 .....	363	SS0040 .....	380	TMC1008 .....	388
SP2001 .....	347	SP2034 .....	364	SS0041 .....	380	TMC1009 .....	389
SP2002 .....	347	SP2035 .....	364	STC0001 .....	399	TMC1010 .....	389
SP2003 .....	348	SP2036 .....	365	STC0002 .....	400	TMC1012 .....	390
SP2003-B .....	348	SP2037 .....	365	STC0004 .....	400	TMC1025 .....	391
SP2004 .....	349	SP2038 .....	366	STC0005 .....	400	TMC1026 .....	392
SP2004-D .....	349	SP2041 .....	366	STC0006 .....	401	TMC1027 .....	393
SP2004-TB .....	350	SP2042 .....	367	STC0008 .....	401	TMC1039 .....	393
SP2006 .....	350	SP2043 .....	367	STC0014 .....	401	TMC1040 .....	394
SP2006-B .....	351	SP2701 .....	368	STC0017 .....	402	TMC1043 .....	395
SP2007 .....	351	SP2702 .....	368	STC0019 .....	402	TMC1044 .....	396
SP2007-B .....	352	SP2901 .....	369	STH2001 thru STH2009 ..	403	TMC1045 .....	397
SP2008 .....	352	SP3001 .....	369	STH2010 thru STH2017 ..	403	TMC1046 .....	397
SP2009 .....	353	SP3002 .....	370	STH2018 .....	404	TMC1048 .....	398
SP2009-B .....	353	SP3003 .....	370	STH2019 .....	404	TMC1049 .....	398
SP2010 .....	354	SP4301 .....	370	STH2020 .....	404	TMC1050 .....	399
SP2010-B .....	354	SP4401 .....	371	STH2021 .....	405	TRR0002 .....	307
SP2011 .....	355	SP4410 .....	371	STH2022 .....	405	VC0001 .....	409
SP2011-C .....	355	SP4500 .....	372	STH2023 .....	406	VC0002 .....	410
SP2012 .....	356	SP6610 .....	372	STH2024 .....	406	VC0003 .....	410
SP2012-D .....	356	SS0001 .....	373	STH2025 .....	407	VC0004 .....	410
SP2013 .....	357	SS0001-A -B -C -D -E .....	373	STH2026 .....	407	VC0007 .....	411
SP2013-B .....	357	SS0002 .....	374	STH2027 .....	408	WL0501 series LED lights and accessories .....	412
SP2014 .....	358	SS0003 .....	374	STH2028 .....	408		
SP2014-B .....	358	SS0004 .....	374	STH2029 .....	409		
SP2016 .....	359	SS0005 .....	375	TA4100 .....	381		