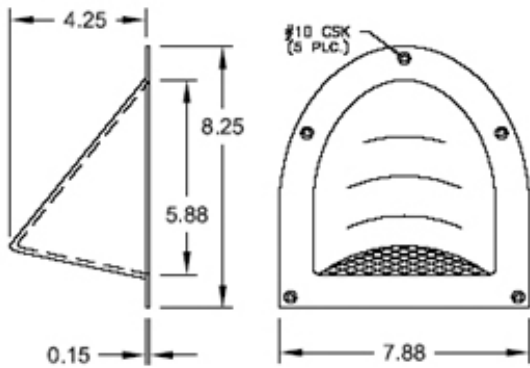


## SP3001

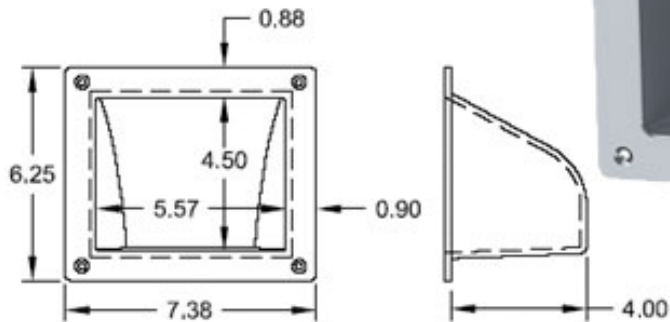


## SP3001

### Recessed Step

Finish: Face flange is polished, side is bead-blasted.

## SP3002

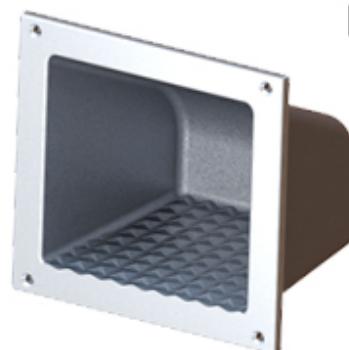
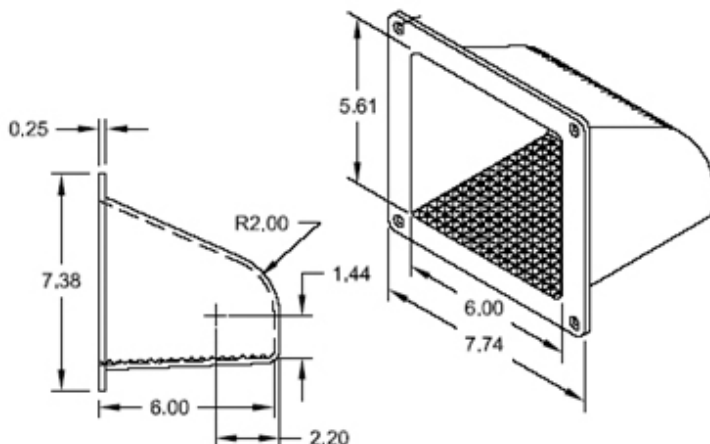


## SP3002

### Recessed Step

1) Finish: Face flange is polished. Inside is bead-blasted.

## SP3003



## SP3003

### Recessed Step 6" Deep

1) Finish: Face flange is polished. Inside is bead-blasted.