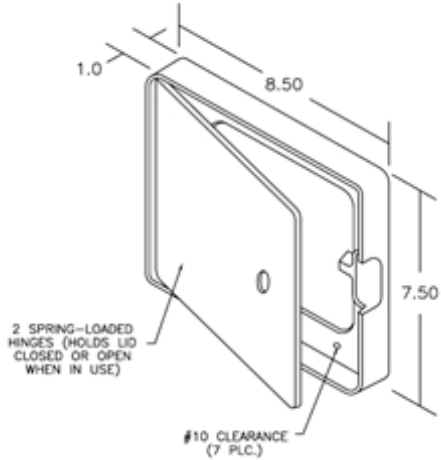


Access Doors

AD0001

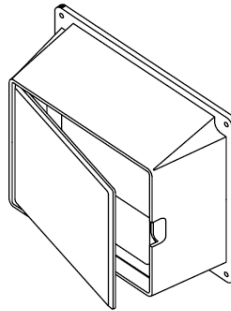
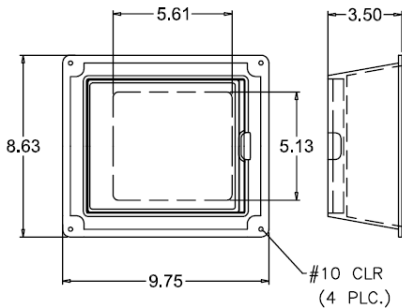


AD0001

Access Door with Hinged Flange

- 1) All concealed mounting hardware and hinges.
- 2) Finish: outside flange - polished. lid - 120 grit directional ground.
- 3) Optional 3/4" hole for cylinder lock (customer specify). Lock not provided.

AD0002

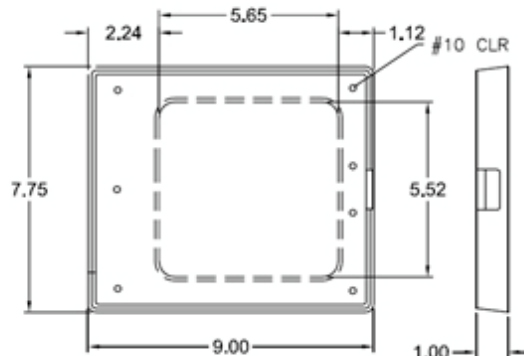


AD0002

Deep Access Door with Hinged Flange

- 1) Concealed hinges.
- 2) Finish: outside flange - polished. lid - 120 grit directional ground.
- 3) Optional 3/4" hole for cylinder lock (customer specify). Lock not provided.

AD0003

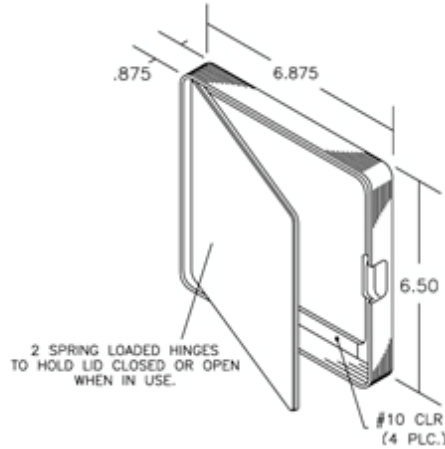


AD0003

Access Door with Hinged Flange and Gasket Seal

- 1) All concealed hardware and hinges.
- 2) Finish: outside flange - polished. lid - 120 grit directional ground.
- 3) Product sold with Southco 100 Series lock installed.

AD0004

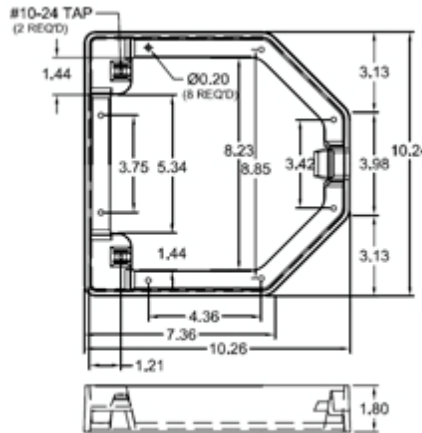


AD0004

Access Door with Hinged Flange

- 1) All concealed mounting hardware and hinges.
- 2) Finish: outside flange - polished. lid - 120 grit directional ground.
- 3) Non-locking design.

AD0005

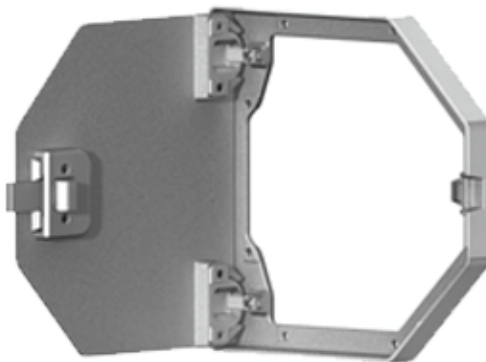
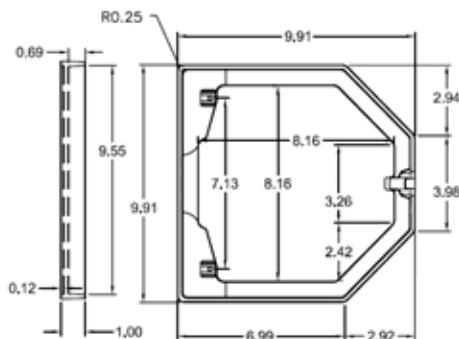


AD0005

Access Door with Hinged Flange for O₂ Bottle Compartment

- 1) All concealed mounting hardware and hinges.
- 2) Finish: outside flange - polished. lid - 120 grit directional ground.
- 3) Will accept up to an 8" diameter Oxygen bottle.
- 4) Slam - Lock design.

AD0006

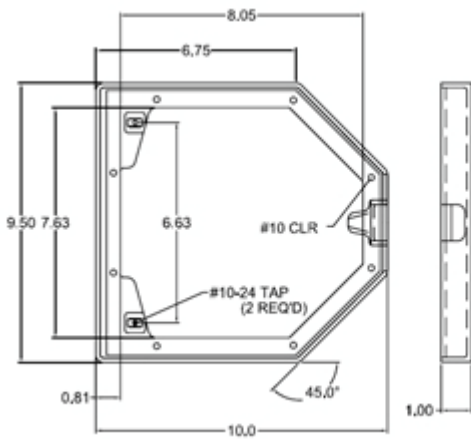


AD0006

Access Door with Hinged Flange for O₂ Bottle Compartment

- 1) All concealed mounting hardware and hinges.
- 2) Finish: outside flange - polished. lid - 120 grit directional ground.
- 3) Will accept up to an 8" diameter Oxygen bottle.
- 4) Slam - Lock design.

AD0007



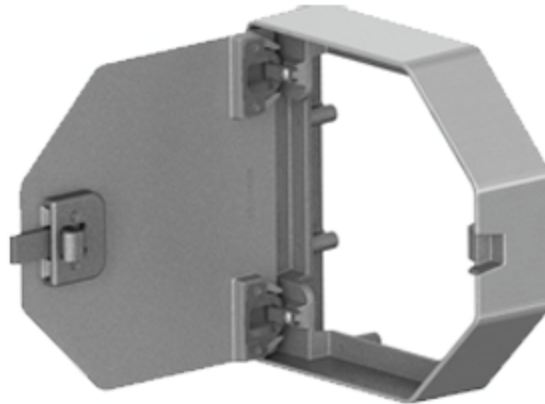
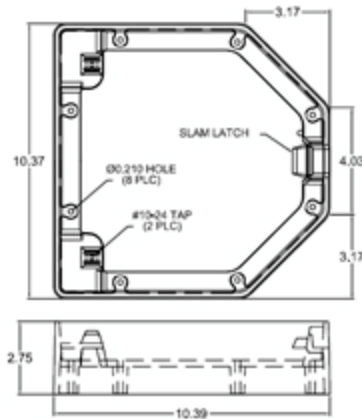
AD0007

Access Door with Hinged Flange for O₂ Bottle Compartment

- 1) All concealed mounting hardware and hinges.
- 2) Finish: outside flange - polished. lid - 120 grit directional ground
- 3) Will accept up to an 8" Oxygen bottle.

m - Lock design.

AD0008

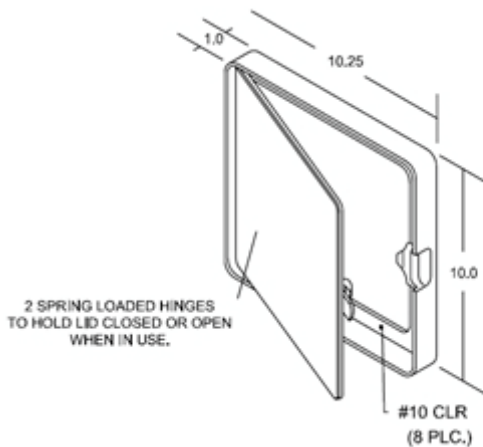


AD0008

Access Door with Hinged Flange for O₂ Bottle Compartment

- 1) All concealed mounting hardware and hinges.
- 2) Finish: outside flange - polished. lid - 120 grit directional ground
- 3) Will accept up to an 8" Oxygen bottle.
- 4) Slam - Lock design.

AD0009

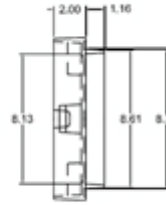
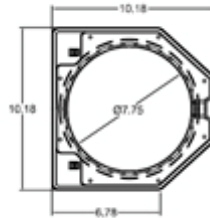


AD0009

Access Door with Hinged Flange

- 1) All concealed mounting hardware and hinges.
- 2) Finish: outside flange - polished. lid - 120 grit directional ground.
- 3) Slam - Lock design.

AD0010

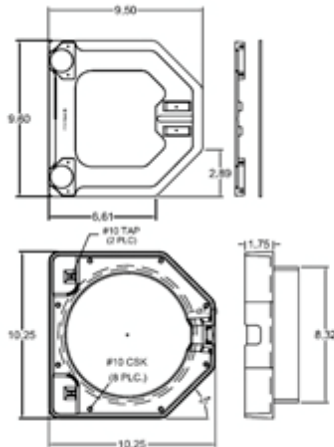


AD0010

O₂ Bottle Door with 1 3/4" Thick Flange (8" Tube)

- 1) All concealed mounting hardware and hinges.
- 2) Finish: outside flange - polished, lid - 120 grit directional ground.
- 3) Designed for aiding in the construction of the oxygen bottle compartments by welding the 8" aluminum tube (1/8" thick wall) to the backside of the flange.
- 4) Slam - Lock design.

AD0011

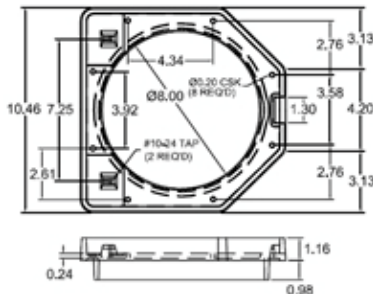


AD0011

Polished O₂ Bottle Door with 1 3/4" Thick Flange (8" Tube)

- 1) All concealed mounting hardware and hinges.
- 2) Finish: outside flange & lid - polished.
- 3) Designed for aiding in the construction of the oxygen bottle compartments by welding the 8" aluminum tube (1/8" thick wall) to the backside of the flange.
- 4) Slam - Lock design.

AD0012

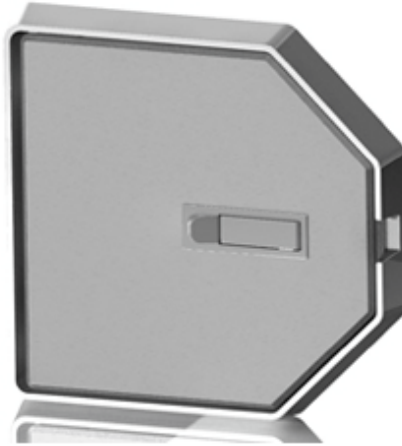
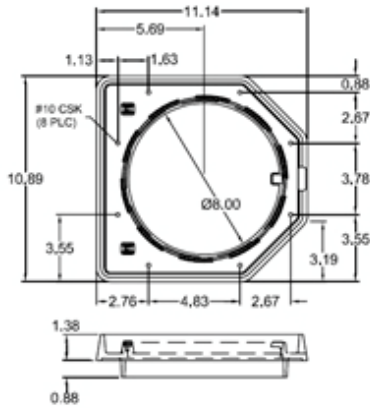


AD0012

O₂ Bottle Door with 1 1/8" Thick Flange (8" Tube)

- 1) All concealed mounting hardware and hinges.
- 2) Finish: outside flange & lid - polished.
- 3) Designed for aiding in the construction of the oxygen bottle compartments by welding the 8" aluminum tube (1/8" thick wall) to the backside of the flange.
- 4) Slam - Lock design.

AD0013

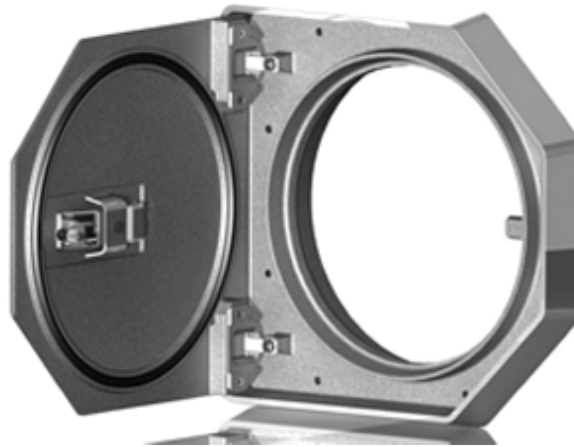
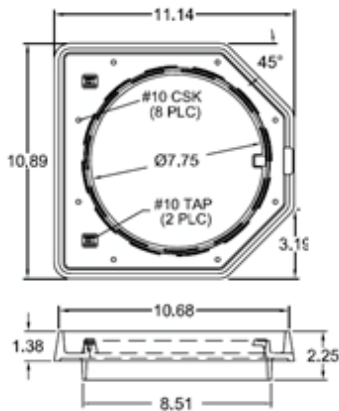


AD0013

O2 Bottle Door with 1 3/8" Thick Flange (8" PVC Tube)

- 1) All concealed mounting hardware and hinges.
- 2) Finish: outside flange - polished. lid - 120 grit directional ground.
- 3) Designed for aiding in the construction of the oxygen bottle compartments by attaching the 8" PVC tube to the backside of the flange.
- 4) Product sold with Southco adjustable lever latch installed.

AD0014

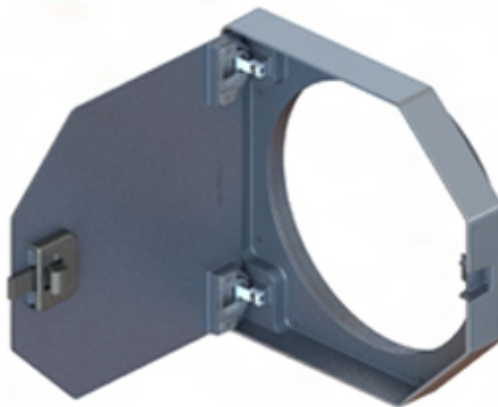
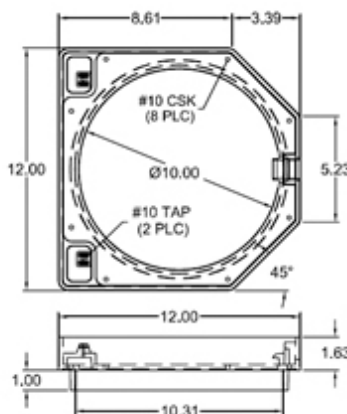


AD0014

O2 Bottle Door with 1 3/8" Thick Flange (8" Tube)

- 1) Mounting hardware and hinges concealed
- 2) Finish: outside flange - polished. lid - 120 grit directional ground
- 3) Designed for aiding in the construction of the oxygen bottle compartments by welding 8" aluminum tube (1/8" thick wall) to the backside of the flange.
- 4) Constructed with 1/4" cord gasket to help seal the tube from dust, etc.
- 5) Product sold with Southco adjustable lever latch installed.

AD0015

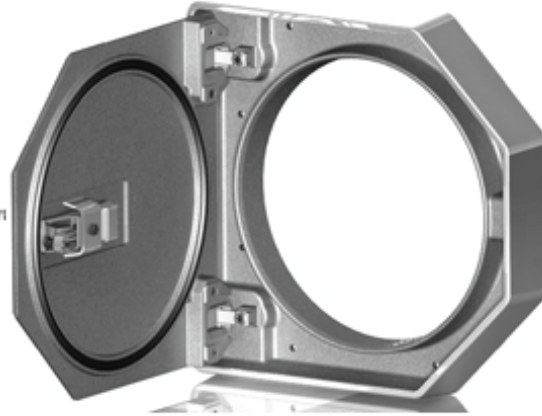
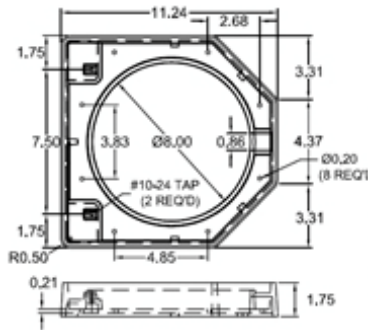


AD0015

O2 Bottle Door with 1 5/8" Thick Flange (10" diameter tube)

- 1) All concealed mounting hardware and hinges.
- 2) Finish: outside flange - polished. lid - 120 grit directional ground.
- 3) Designed for aiding in the construction of the oxygen bottle compartments by welding the 10" ID (10 1/4" OD) aluminum tube to the backside of the flange.
- 4) Slam - Lock design.

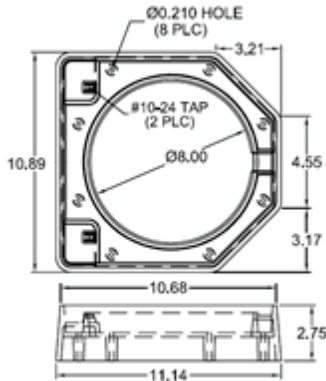
AD0016



AD0016 O₂ Bottle with 1 3/4" Thick Flange (8" diameter tube)

- 1) All concealed mounting hardware and hinges.
- 2) Finish: outside flange - polished, lid - 120 grit directional ground.
- 3) Designed for aiding in the construction of the oxygen bottle compartments.
- 4) Product sold with Southco adjustable lever latch installed.

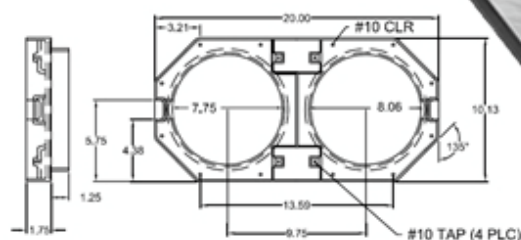
AD0017



AD0017 O₂ Bottle with 2 3/4" Thick Flange (for 8" tube)

- 1) All concealed mounting hardware and hinges.
- 2) Finish: outside flange & lid - polished.
- 3) Constructed with 1/4" cord gasket to help seal tube from dust, etc...
- 4) Product sold with Southco adjustable lever latch installed.

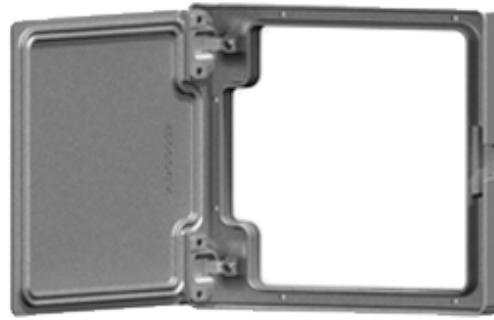
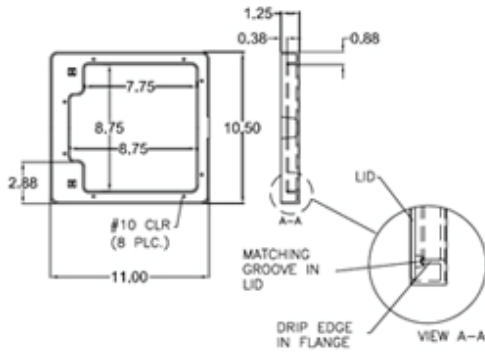
AD0018



AD0018 Double O₂ Bottle with 1 3/4" Thick Flange (8" tube)

- 1) All concealed mounting hardware and hinges.
- 2) Finish: outside flange - polished, lid - 120 grit directional ground.
- 3) Designed for aiding in the construction of the oxygen bottle compartments by welding the 8" aluminum tube (1/8" thick wall) to the backside of the flange.
- 4) Slam - Lock design.

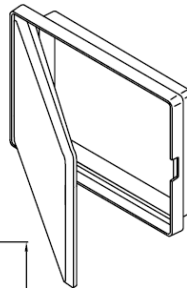
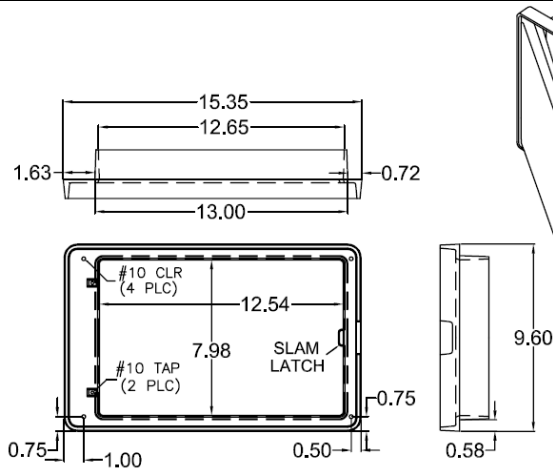
AD0019



AD0019 Fill Tower Cap Door with Hinged Flange

- 1) All concealed mounting hardware and hinges.
- 2) Finish: outside flange - polished. lid - 120 grit directional ground.
- 3) Designed to mount on a flat, horizontal surface and with a drip rail on the inside to help keep water out.

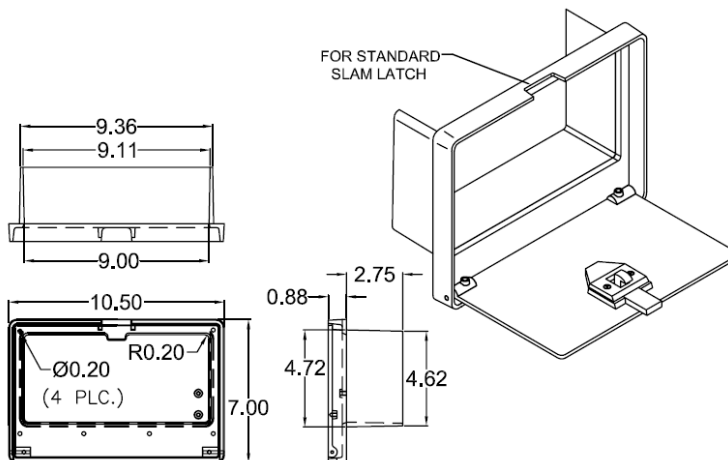
AD0020



AD0020 Access Door with Hinged Flange

- 1) All concealed mounting hardware and hinges.
- 2) Finish: outside flange - polished. lid - 120 grit directional ground.
- 3) Slam - Lock design.

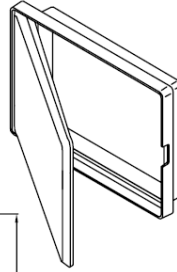
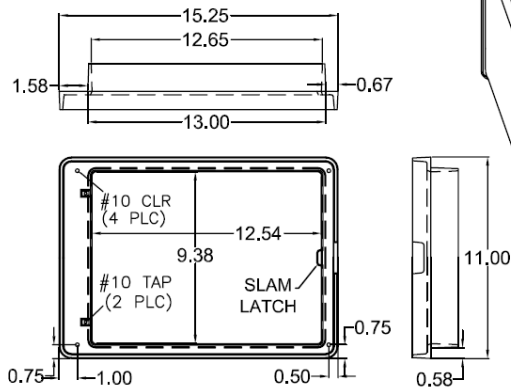
AD0021



AD0021 Access Door with Hinged Flange

- 1) All concealed mounting hardware and hinges.
- 2) Finish: outside flange - polished. lid - 120 grit directional ground.
- 3) Slam - Lock design.

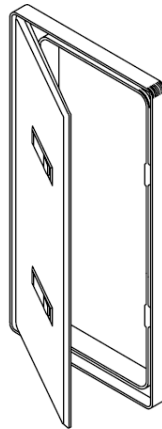
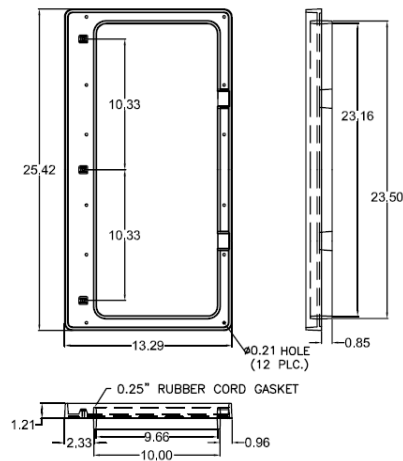
AD0022



AD0022 Access Door with Hinged Flange

- 1) All concealed mounting hardware and hinges.
- 2) Finish: outside flange - polished. lid - 120 grit directional ground.
- 3) Slam - Lock design.

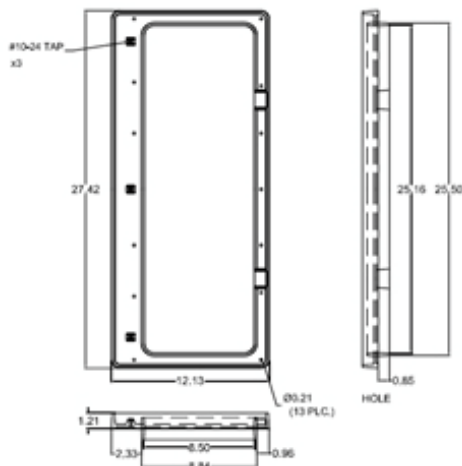
AD0023



AD0023 Access Door with seal and Lever Latch

- 1) All concealed mounting hardware and hinges.
- 2) Finish: outside flange - polished. lid - 120 grit directional ground.
- 3) Southco adjustable lever latch.

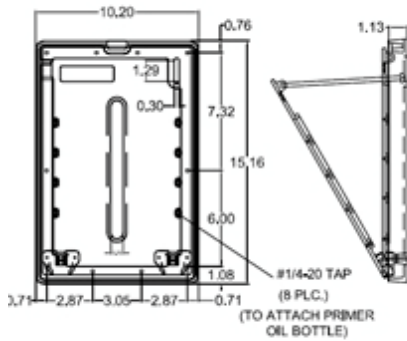
AD0025



AD0025 Triple O₂ Bottle Door w/ lid & Lever Latches

- 1) All concealed mounting hardware and hinges.
- 2) Finish: outside flange - polished. lid - 120 grit directional ground.
- 3) Constructed with 1/4\"/>
- 4) Product sold with 2 Southco adjustable lever latches installed.

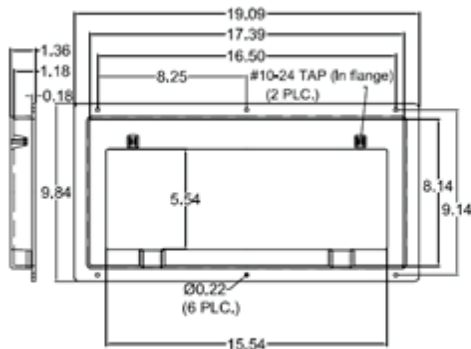
AD0026



AD0026 Oil Primer Bottle Door w/ Hinged Flange

- 1) All concealed mounting hardware and hinges.
- 2) Finish: outside flange - polished. lid - 120 grit directional ground.
- 3) Designed with "sight glass" opening for Fill level and will open 30° for easy filling of bottle.
- 4) Designed for use with the Hale Fire Pump Primer Bottle.
- 5) Product sold with Southco adjustable lever latch installed.

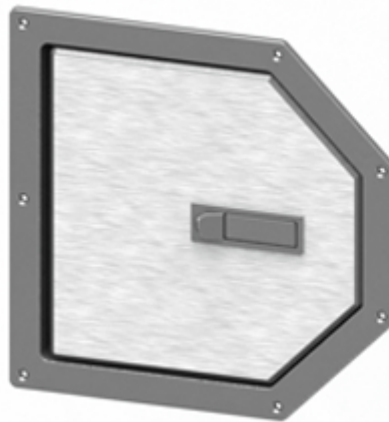
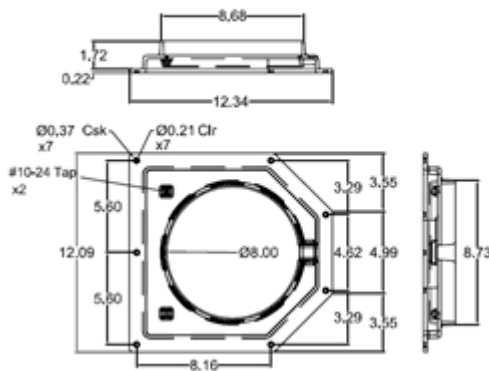
AD0027



AD0027 Recessed Access Door with Lever Latch

- 1) All concealed mounting hardware and hinges.
- 2) Finish: outside flange - polished. lid - 120 grit directional ground.
- 3) Product sold with 2 Southco adjustable lever latches installed.
- 4) Gasket seal around interior lip.

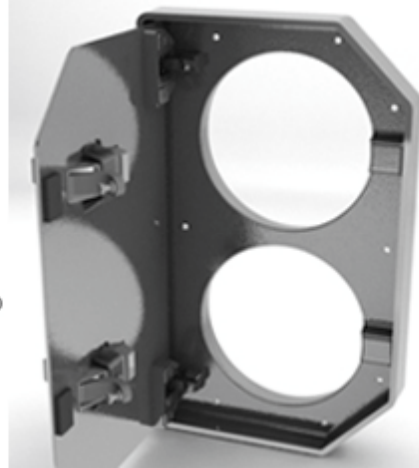
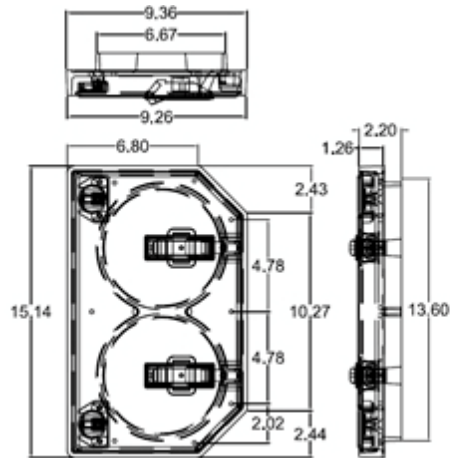
AD0028



AD0028 Recessed Access Door with Lever Latch

- 1) All concealed mounting hardware and hinges.
- 2) Finish: outside flange - polished. lid - 120 grit directional ground.
- 3) Constructed with 1/4" cord gasket to help seal from dust, etc.
- 4) Designed with 8" access hole in flange.
- 5) Product sold with Southco adjustable lever latch installed.

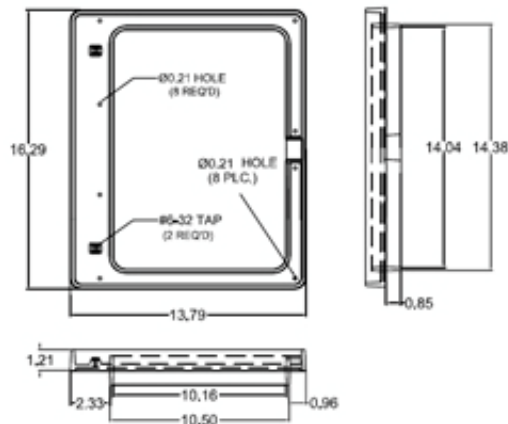
AD0029



AD0029 Dual Access Door with Lever Latch

- 1) All concealed mounting hardware and hinges.
- 2) Finish: outside flange - polished. lid - 120 grit directional ground.
- 3) Designed with two 6" access holes in flange.
- 4) Product sold with 2 Southco adjustable lever latches installed.

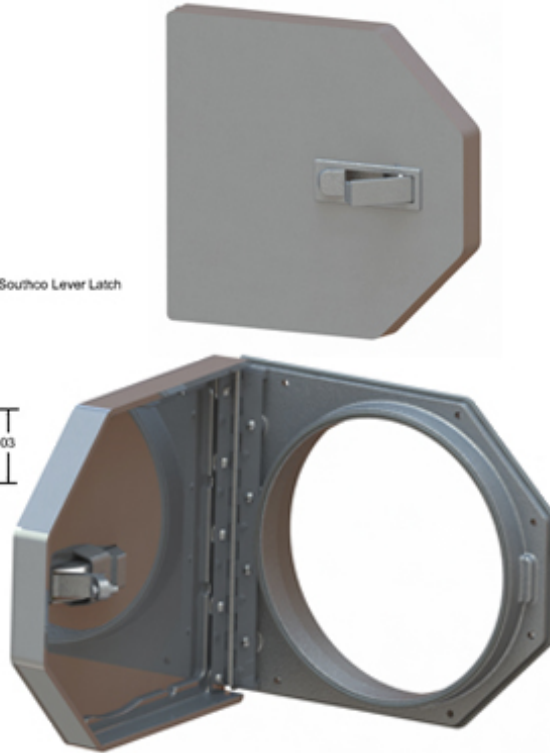
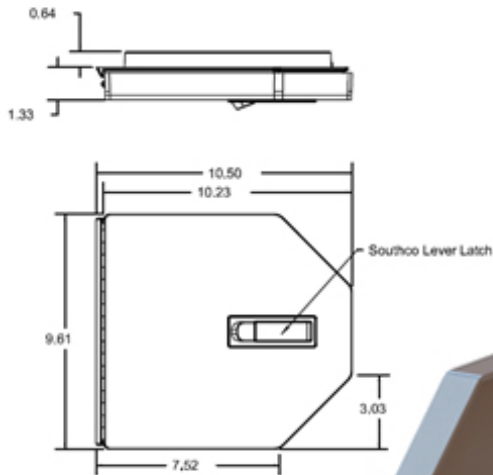
AD0030



AD0030 Ladder Control Door with Lever Latch

- 1) All concealed mounting hardware and hinges.
- 2) Finish: outside flange - polished. lid - 120 grit directional ground.
- 3) Constructed with 1/4" cord gasket to help seal from dust, etc.
- 4) Product sold with Southco adjustable lever latch installed.

AD0032

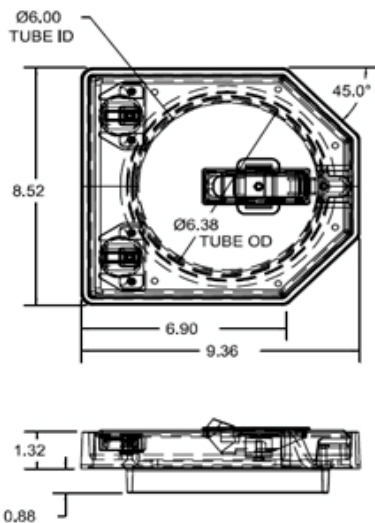


AD0032

Access Door w/
Polished Lid, Lever
Latch, Lid Gasket and
Tube Flange (Tube =
7.75" ID x 8.06" OD)

- 1) All concealed mounting hardware and hinges.
- 2) Finish: outside flange is polished. Lid is polished.
- 3) Sold with Southco Lever Latch Installed and .25" Rubatex Gasket for Lid.

AD0034

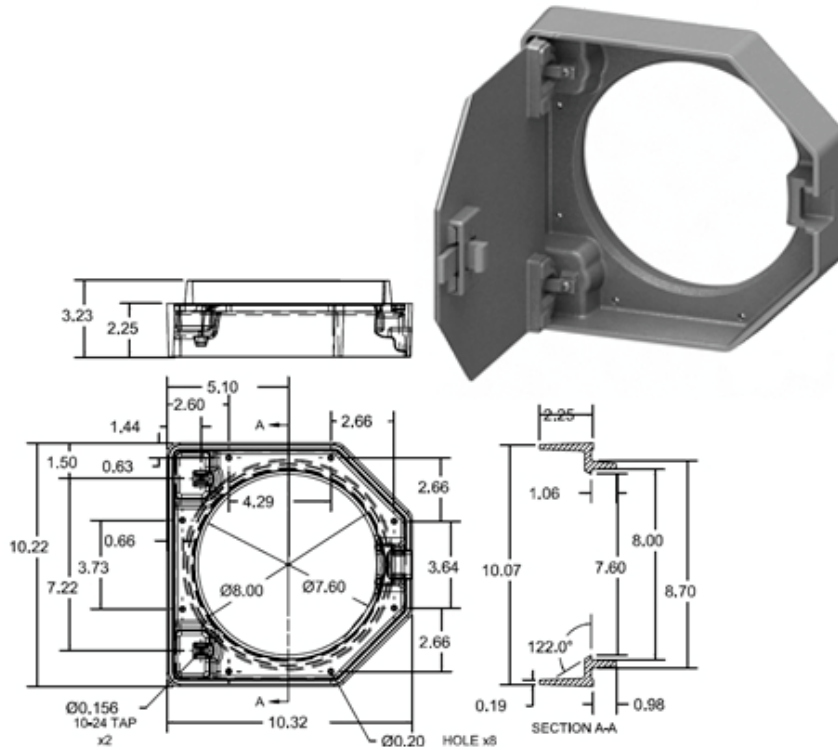


AD0034

Access Door
Flange and Lid
(for 6" ID Tube)

- 1) All concealed mounting hardware and hinges.
- 2) Finish: outside flange is polished. Lid is 120 grit directional ground.
- 3) Uses Southco Std. Lever Latch.
- 4) For 6" ID x 6 5/16" OD Tube.

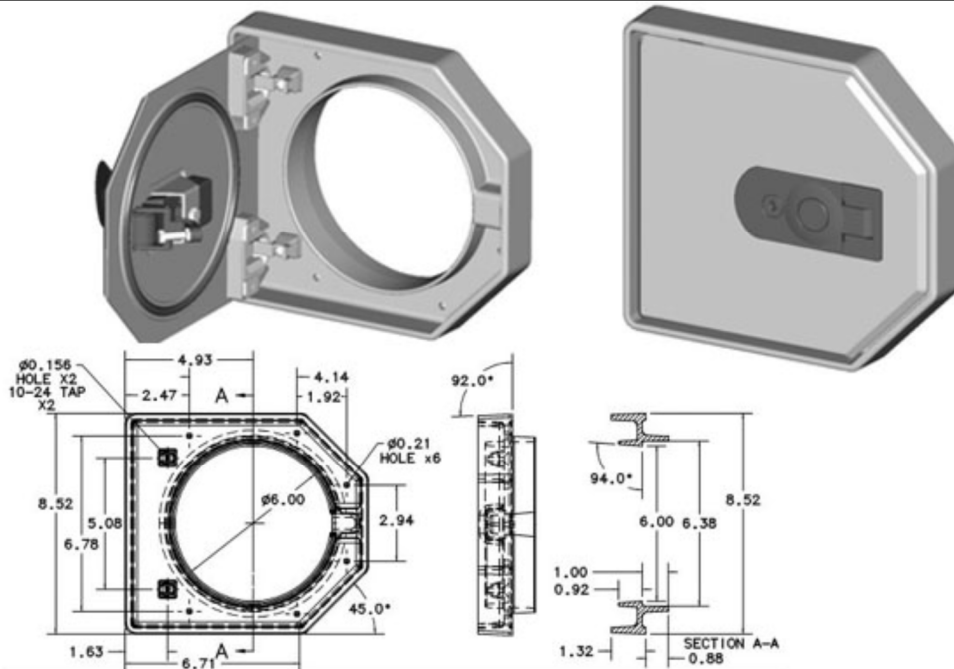
AD0035



AD0035 Access Door Flange and Lid (for 7.6" ID x 8.00" OD Tube)

- 1) All concealed mounting hardware and hinges.
- 2) Finish: outside flange is polished. Lid is 120 grit directional ground.
- 3) Uses Southco Std. Lever Latch.
- 4) For 7.60" ID x 8" OD Tube.

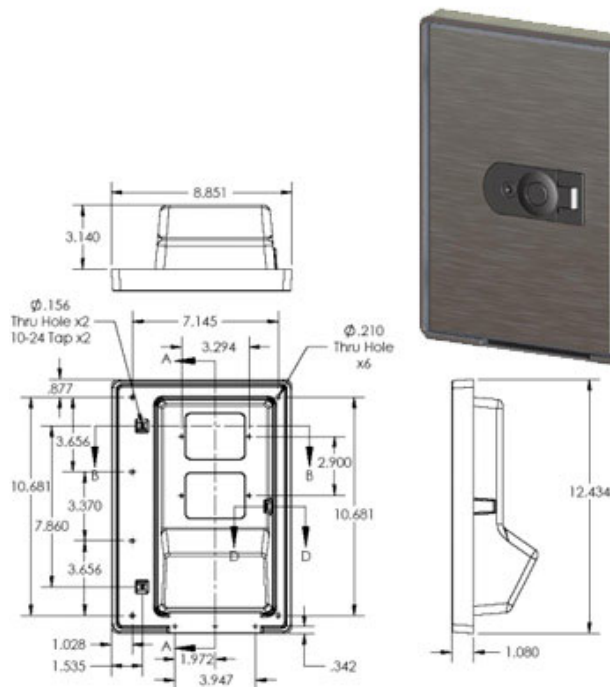
AD0037



AD0037 Access Door Flange and Lid (for 6" ID x 6.375" OD Tube)

- 1) Finish: Exterior flange is polished. Lid is 120 grit directional ground.
- 2) All concealed mounting hardware and hinges.
- 3) Uses standard Southco weatherproof Lever latch. Also available with standard Southco lever latch.
- 4) Standard 1/4" cord gasket with lid.
- 5) For 6" ID x 6.375" OD Pipe or Tube.

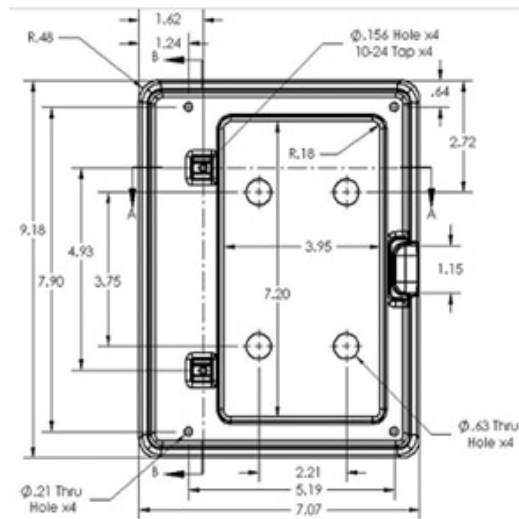
AD0038



AD0038 Access Door Flange and Lid

- 1) Finish: Exterior flange is polished. Lid is 120 grit directional ground.
- 2) All concealed mounting hardware and hinges.
- 3) Uses standard Southco weatherproof Lever latch.
- 4) Standard 1/4" cord gasket with lid.

AD0039

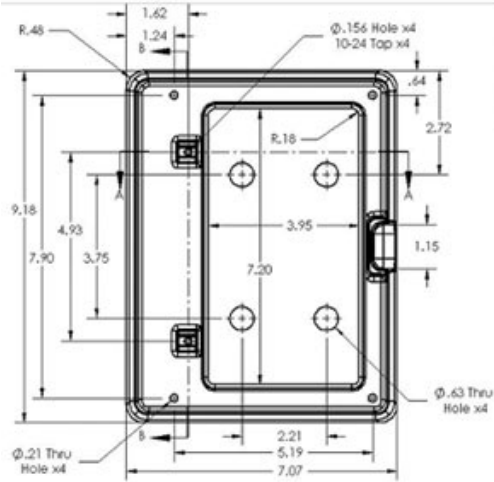


AD0039 Switch Box Assembly - Mounting Flange and Lid (No gasket or lock)

- 1) Finish: Ball-burnished w/ Exterior flange polished. Lid is 120 grit directional ground.
- 2) All concealed mounting hardware and hinges.
- 3) Uses standard Southco weatherproof Lever latch.

AD0040

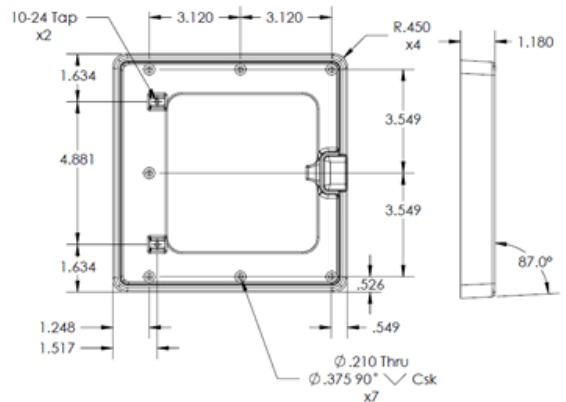
AD0040
Switch Box Assembly - Mounting
Flange / Box and Lid



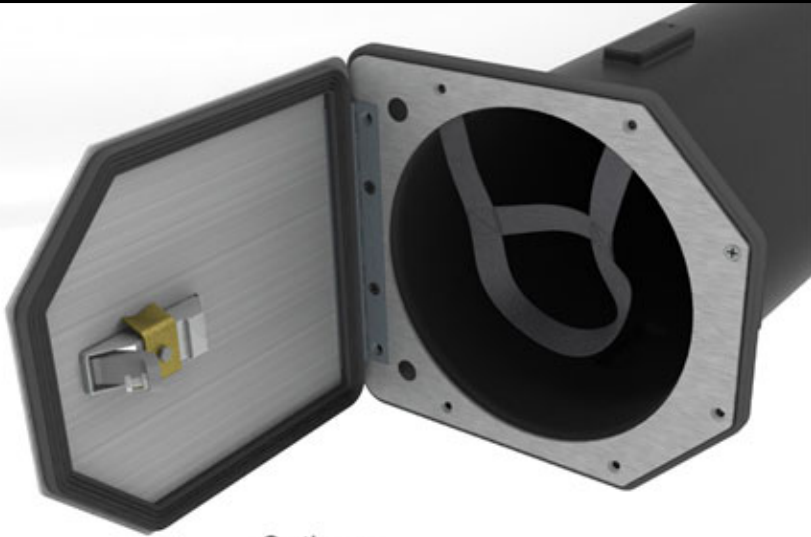
- 1) Finish: Ball-burnished w/ Exterior flange polished. Lid is 120 grit directional ground.
- 2) All concealed mounting hardware and hinges.
- 3) Uses standard Southco weatherproof Lever latch.

AD0042, AD0042-C, AD0042-L

AD0042-1, -C & -L
Access Door Flange
and Lid: plain, keyed
cylinder or Lift-n-Turn



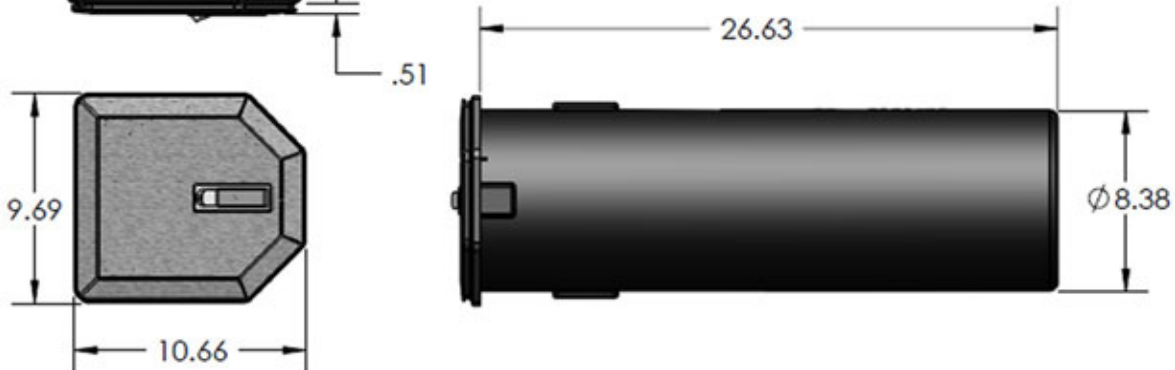
AD2001



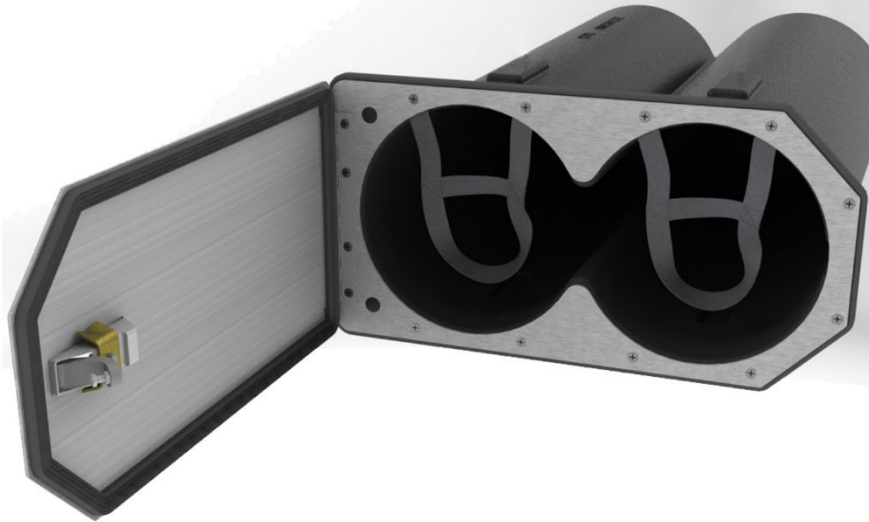
AD2001 Stainless Access Door Flange, Lid and Rotary molded tube.

- 1) All concealed mounting hardware. Stainless Piano Hinge.
- 2) Thick Rubber Gasket for sealing Flange to Lid. Rubber Gasket for mounting to rear of Rotary molded SCBA tube.
- 3) Nylon Safety Strap included.
- 4) provided with two .50" holes in flange (with plastic plugs) for door open switches (not included).
- 5) 8" ID Rotary Molded Tube.

Options:
Lid: Brushed or polished finish.
Chrome Latch: with or w/o key.
Painted Grey Latch: with or w/o key.
Weatherproof Latch: with or w/o key.



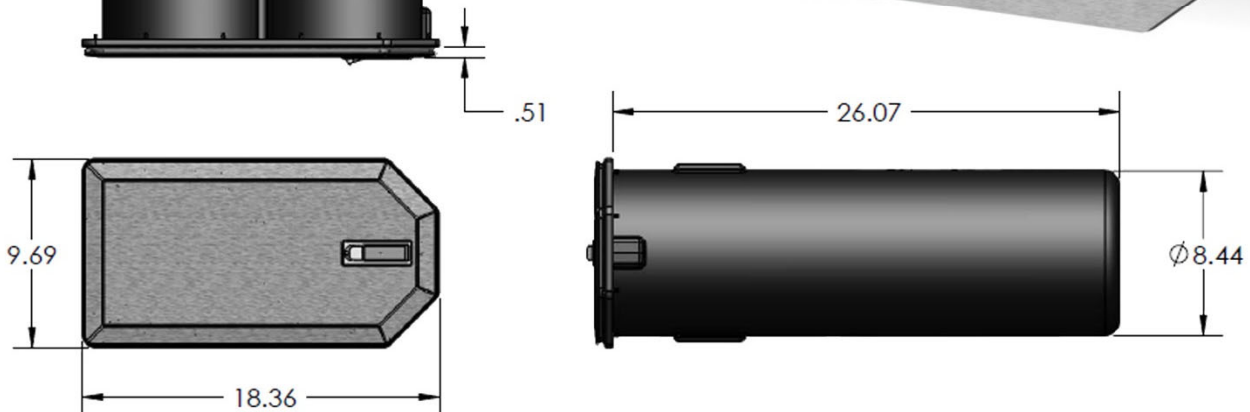
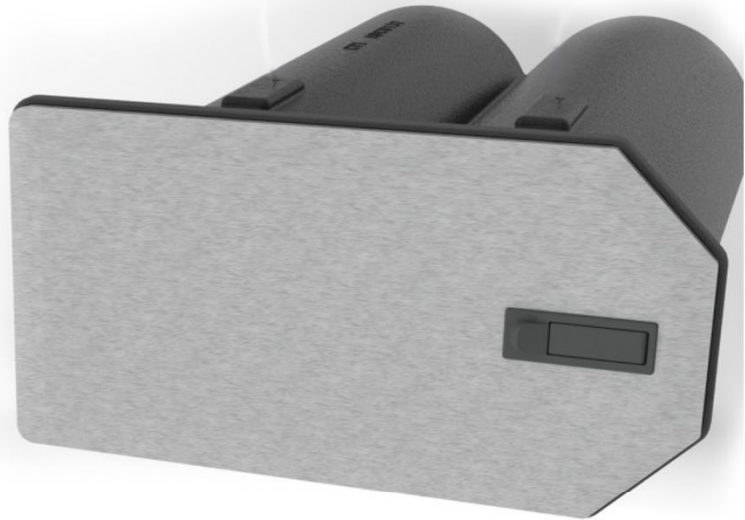
AD2002



AD2002 Double Stainless Access Door Flange, Lid and Rotary molded double tube.

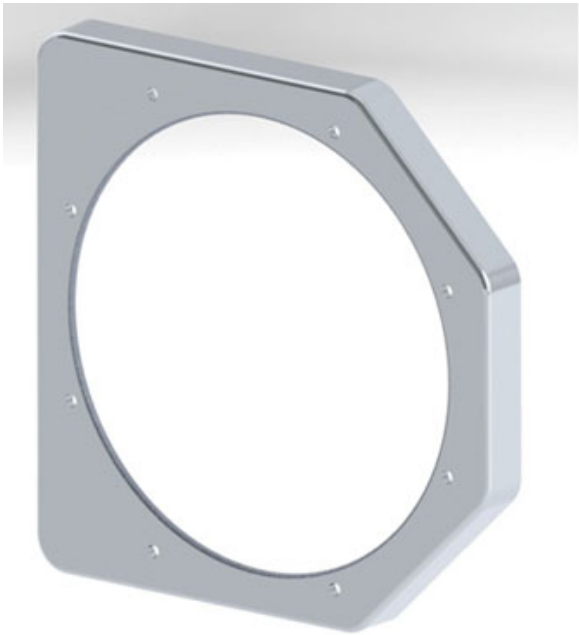
- 1) All concealed mounting hardware. Stainless Piano Hinge.
- 2) Thick Rubber Gasket for sealing Flange to Lid. Rubber Gasket for mounting to rear of Rotary molded SCBA tube.
- 3) Nylon Safety Strap included.
- 4) provided with two .50" holes in flange (with plastic plugs) for door open switches (not included).
- 5) 8" ID Rotary Molded Double-Tube.

Options:
Lid: Brushed or polished finish.
Chrome Latch: with or w/o key.
Painted Grey Latch: with or w/o key.
Weatherproof Latch: with or w/o key.

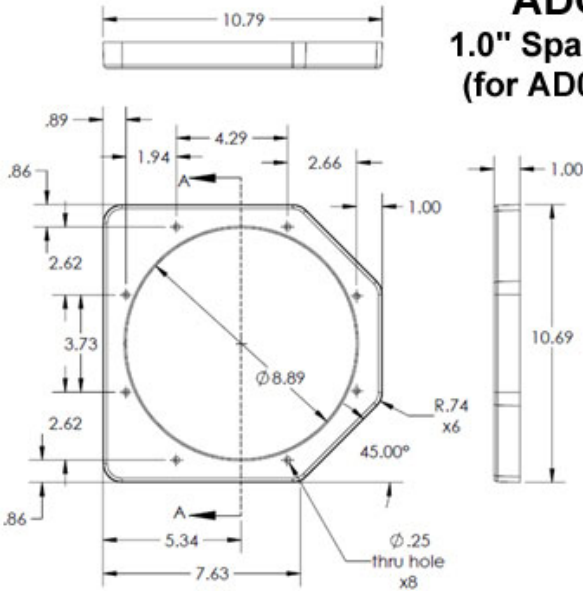


Access Door Miscellaneous

ADC0141

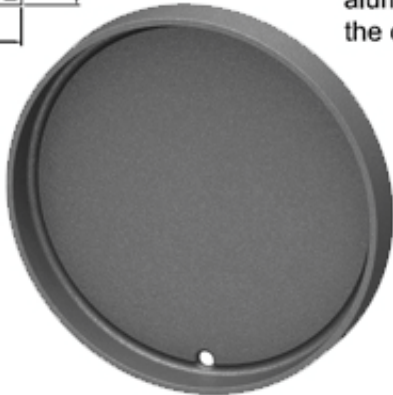
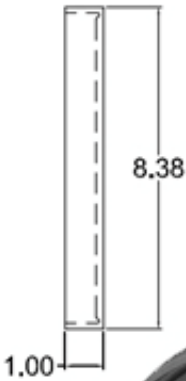
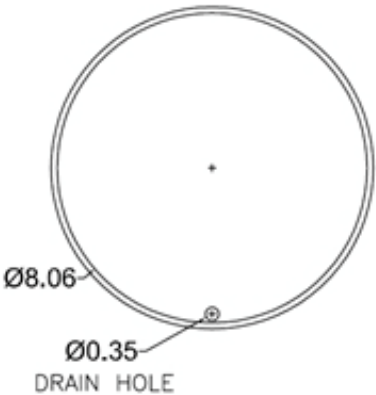


1) Finish: Exterior flange is polished.



ADC0141
1.0" Spacer Casting
 (for AD0035 Assy)

ADM0001

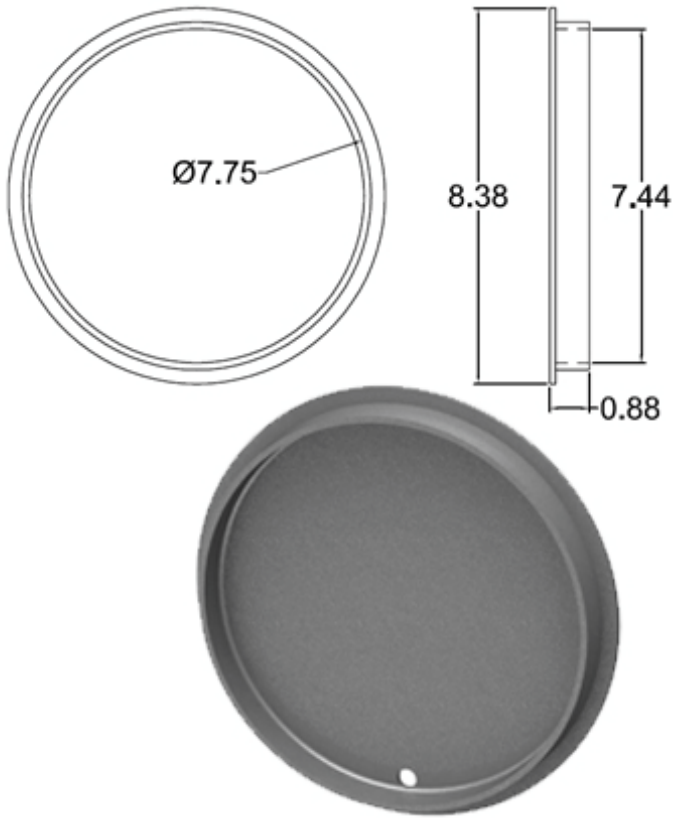


ADM0001

8" Tube Cap with Drain Hole

- 1) Finish: bead blasted (light gray).
- 2) Designed for aiding in the construction of the oxygen bottle compartments by welding the 8" aluminum tube (1/8" thick wall) to the cap.

ADM0002

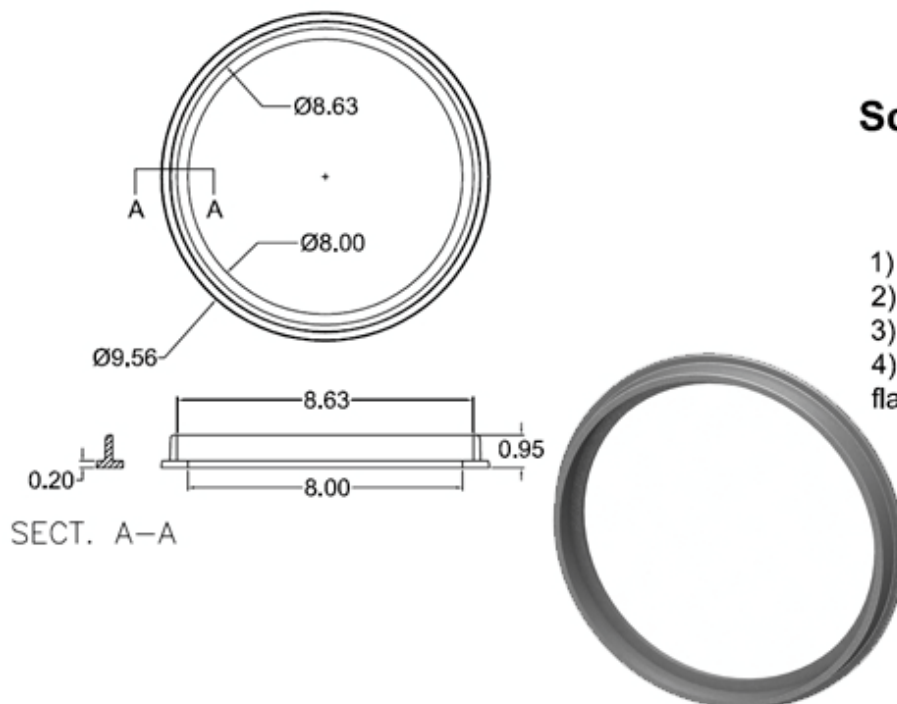


ADM0002

8" Tube Cap

- 1) Finish: Bead - Blasted (Light Gray).
- 2) Designed for aiding in the construction of the oxygen bottle compartments by attaching the 8" PVC tube to the cap.

ADM0004



ADM0004

Adapter Ring for Schedule 40 PVC Pipe - 8 5/8" OD x 8" ID

- 1) Finish: Wheel - a - Brated.
- 2) Fits to Schedule 40 PVC pipe.
- 3) Fitted with rivets or glue.
- 4) Use with AD0016 Access flange and door.