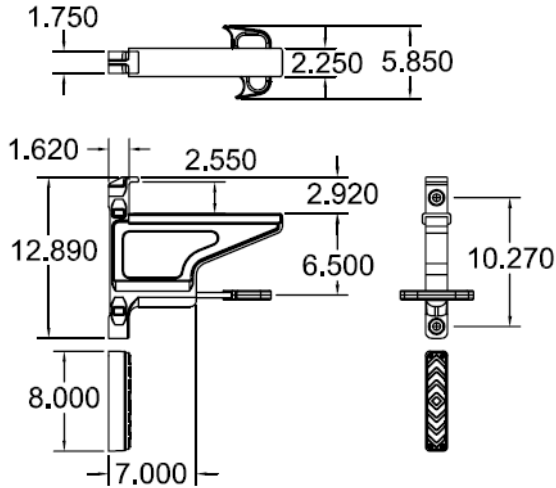


FA0030



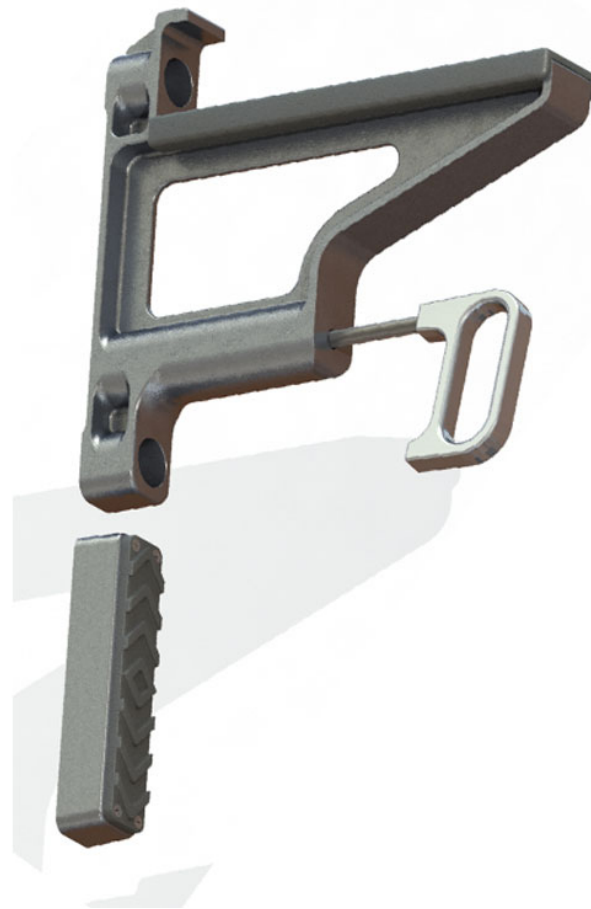
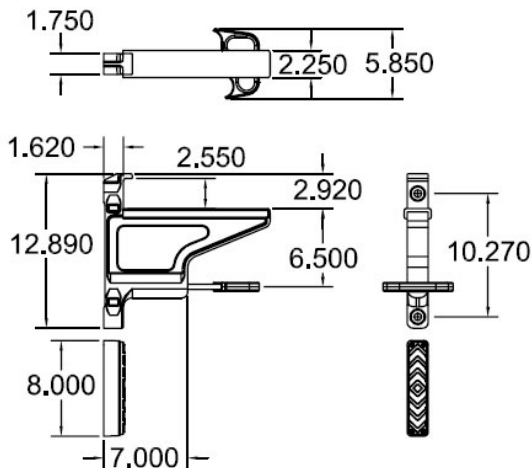
FA0030 Ladder Bracket w/ Rubber Pads

- 1) Finish: Ball-burnished.
- 2) Part sold with upper rubber (FC0016) and lower rubber (FC0015) ladder rests.

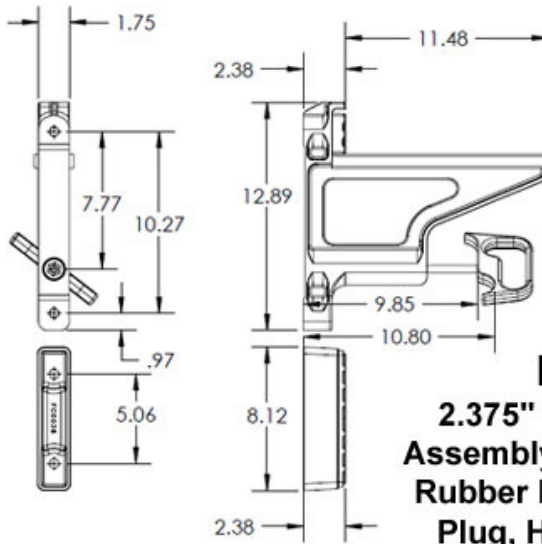
FA0037

FA0037 Ladder Bracket w/ Rubber Pads

- 1) Finish: Ball-burnished.
- 2) Part sold with upper rubber (FC0016) and lower rubber (FC0015) ladder rests.



FA0043



- 1) Finish: Ball-burnished.
- 2) Complete with Rubber pads.

FA0043
2.375" Ladder Bracket
Assembly w/ Upper, Lower
Rubber Pads and Rubber
Plug, HD0012-1 2-Step
Handle and SS Long-
threaded Rod, 2 pc. Design)

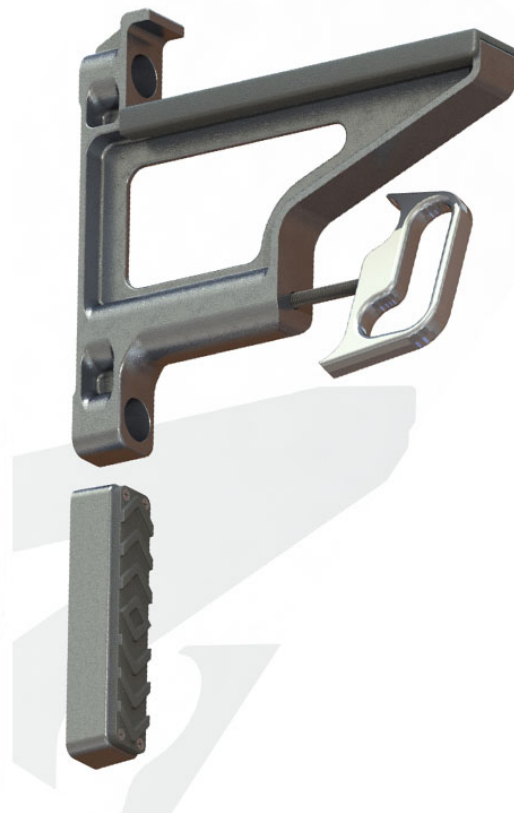
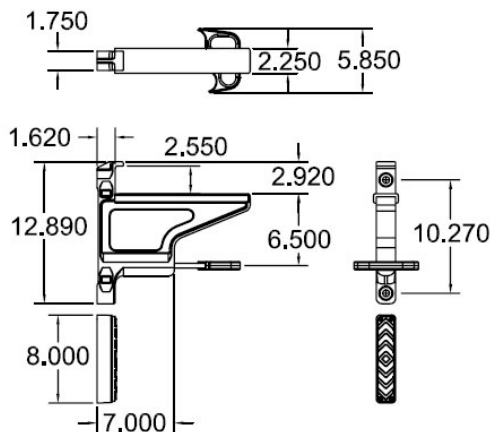
FA0039

FA0039

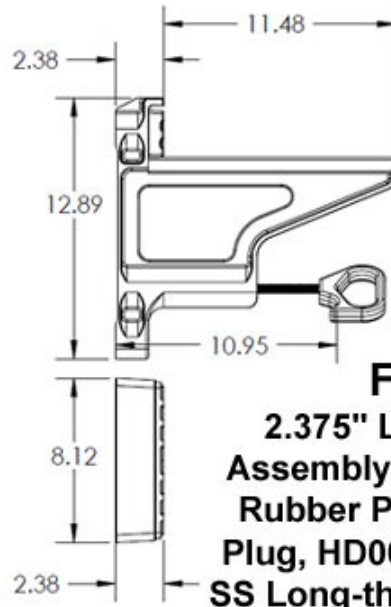
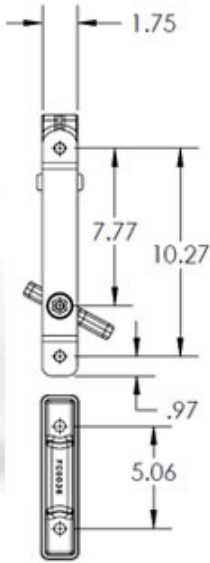
Ladder Bracket

w/ Rubber Pads

- 1) Finish: Ball-burnished.
- 2) Part sold with upper rubber (FC0016) and lower rubber (FC0015) ladder rests.



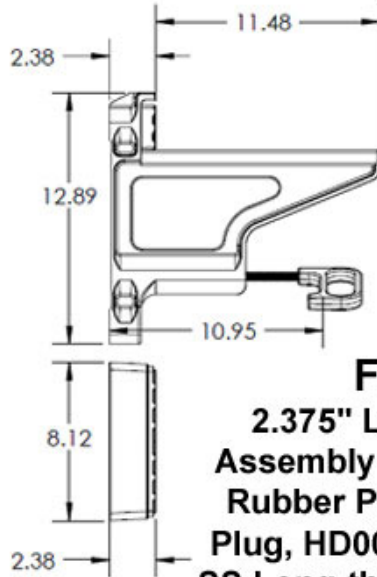
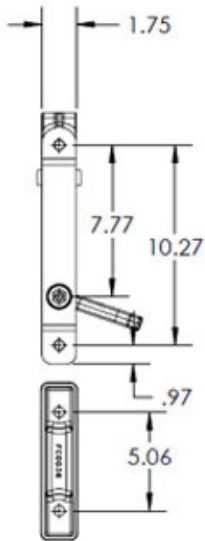
FA0044



- 1) Finish: Ball-burnished.
- 2) Complete with Rubber pads.

FA0044
2.375" Ladder Bracket
Assembly w/ Upper, Lower
Rubber Pads and Rubber
Plug, HD0009-1 Handle and
SS Long-threaded Rod, 2 pc
Design

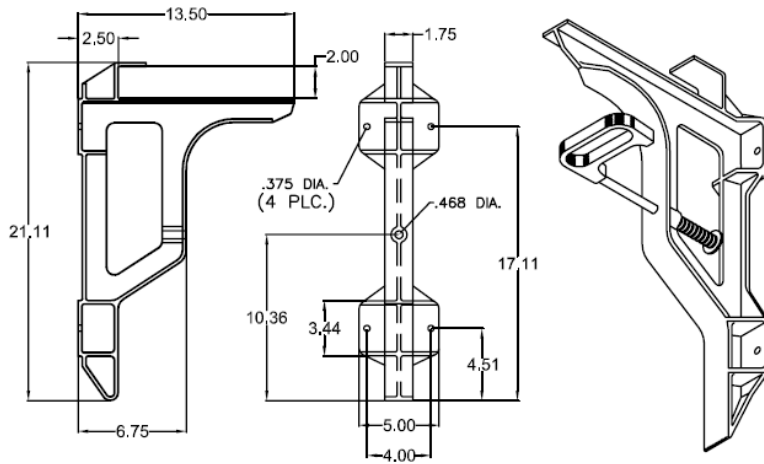
FA0045



- 1) Finish: Ball-burnished.
- 2) Complete with Rubber pads.

FA0045
2.375" Ladder Bracket
Assembly w/ Upper, Lower
Rubber Pads and Rubber
Plug, HD0013-1 Handle and
SS Long-threaded Rod, 2 pc.
Design

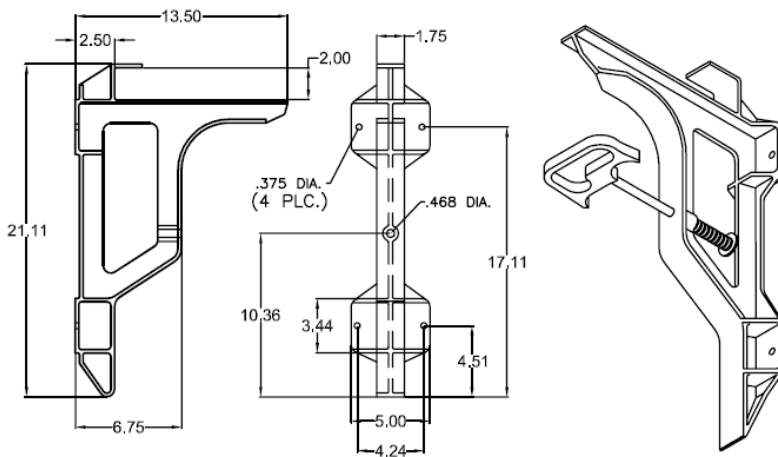
FA4004



FA4004 Ladder Bracket 4" Hole Pattern

- 1) Finish: Wheel-a-brated.
- 2) Product sold with polished handle (HD0013).

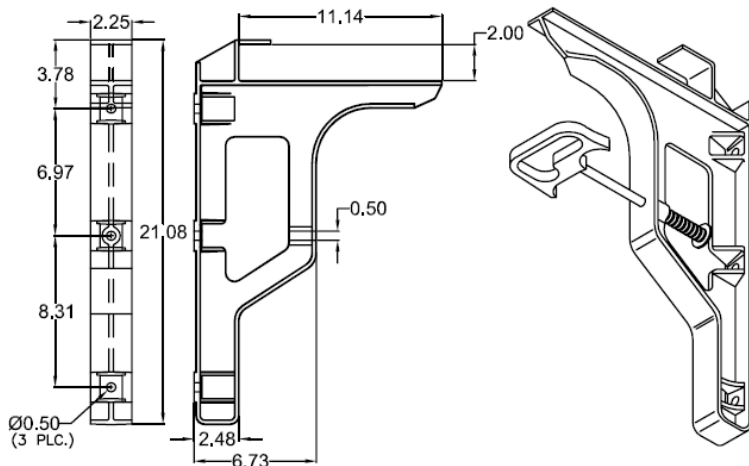
FA4005



FA4005 Ladder Bracket 4.24" Hole Pattern

- 1) Finish: Wheel-a-brated.
- 2) Product sold with polished handle (HD0011).

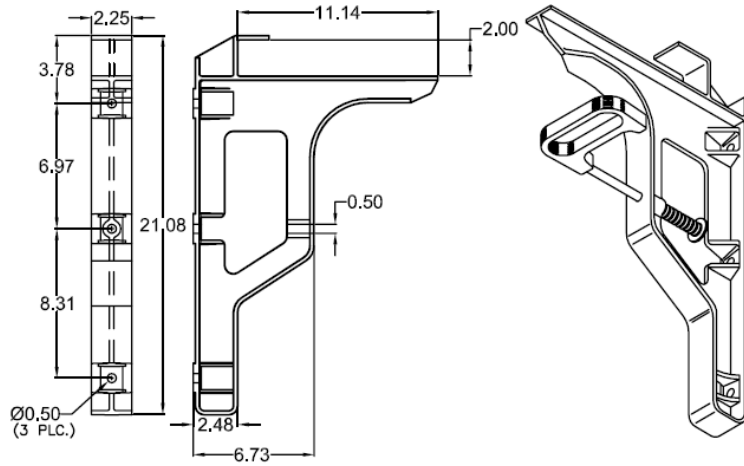
FA4007



FA4007 Ladder Bracket

- 1) Finish: Wheel-a-brated or ball-burnished.
- 2) Product sold with polished handle (HD0011).

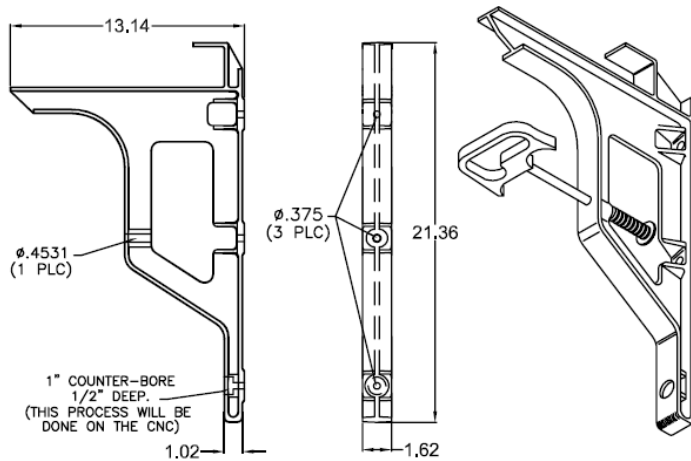
FA4008



FA4008 Ladder Bracket

- 1) Finish: Wheel-a-brated.
- 2) Product sold with polished handle (HD0013).

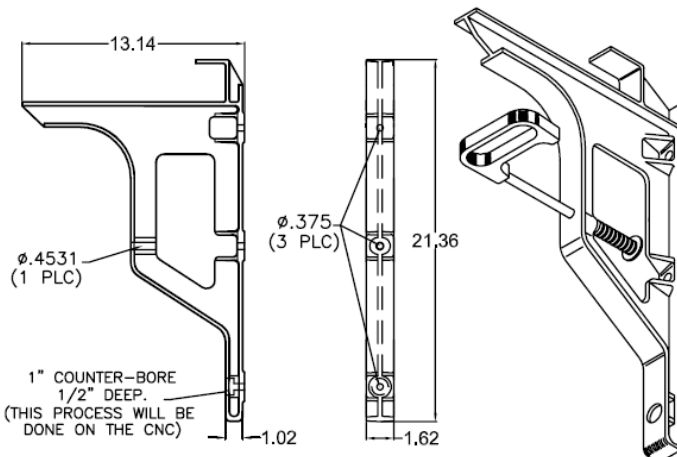
FA4010



FA4010 Ladder Bracket

- 1) Finish: Wheel-a-brated or ball-burnished.
- 2) Product sold with polished handle (HD0011).

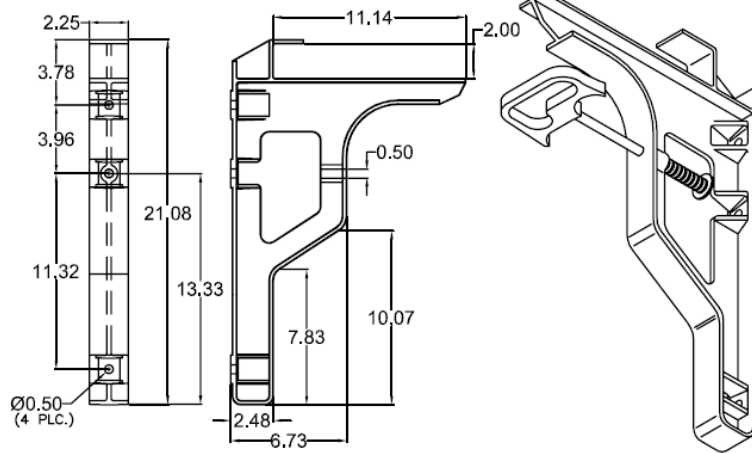
FA4011



FA4011 Ladder Bracket

- 1) Finish: Wheel-a-brated.
- 2) Product sold with polished handle (HD0013).

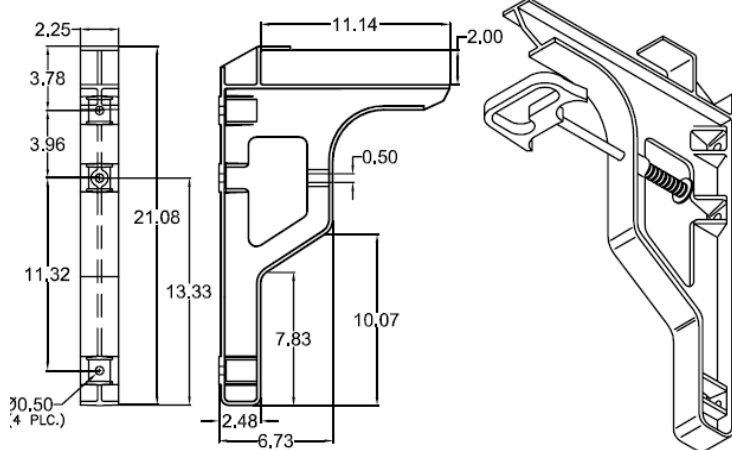
FA4012



FA4012 Ladder Bracket

- 1) Finish: Wheel-a-brated.
- 2) Product sold with polished handle (HD0011).

FA4013



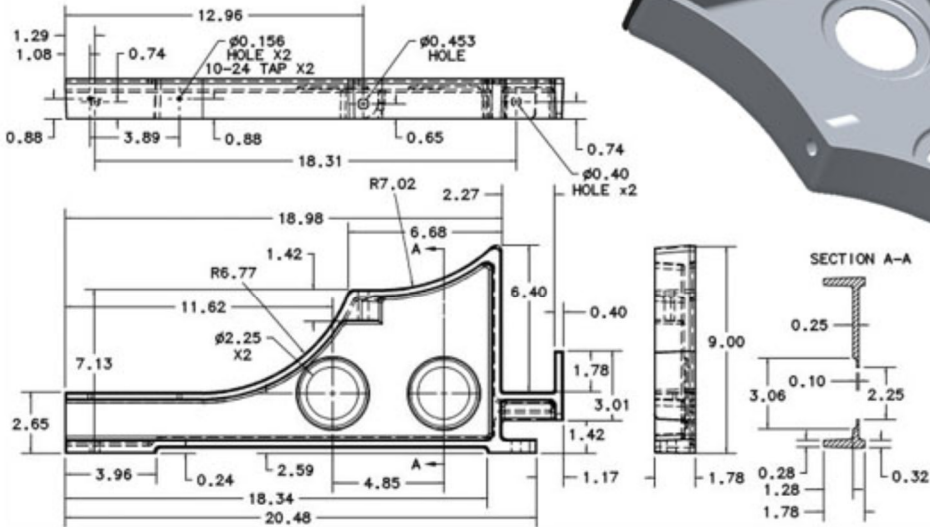
FA4013 Ladder Bracket

- 1) Finish: Ball-burnished.
- 2) Product sold with polished handle (HD0011) and rod threaded 4" on one end. -A with HD0009 Handle.

FA4014

FA4014 Ladder Bracket with Rubber Pads

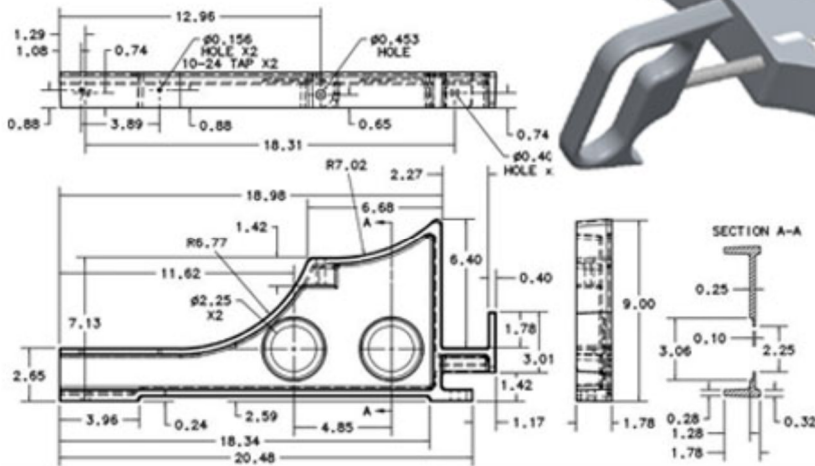
- 1) Finish: Castings is wheel-a-brated.
- 2) Supplied with Rubber Pads.



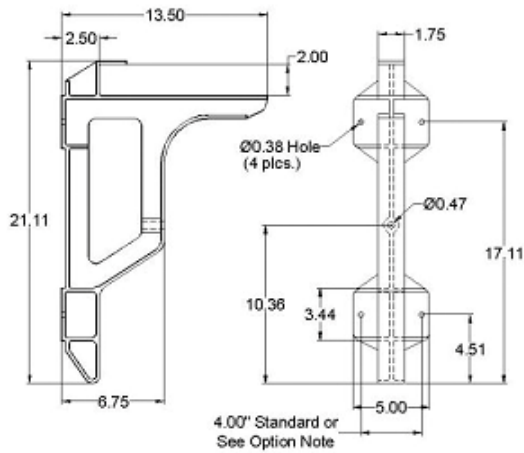
FA4014-A

FA4014-A Ladder Bracket with Handle and Rubber Pads

- 1) Finish: Castings is wheel-a-brated. Handle is polished.
- 2) Supplied with HD0011 Handle, AH0007 SS Rod (9.46" long) and Rubber Pads.
- 3) Rubber stripping around holes not included.



FA4015



FA4015 Ladder Bracket w/ Handle (HD0011) & Plastic Pads

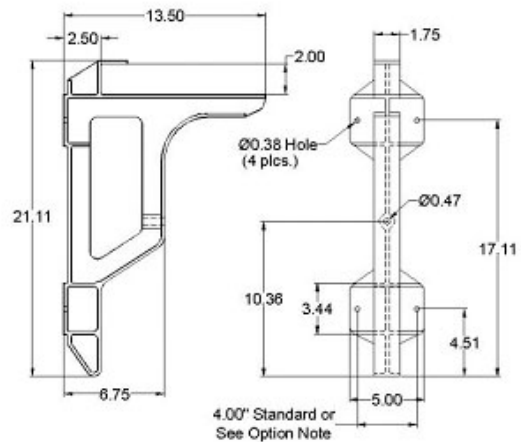


- 1) Finish: Casting is wheel-a-brated. Handle is polished.
- 2) Supplied with HD0011 Handle, AH5001 Rod Assembly, Plastic Pads, and AH0045 screws

FA4015-A

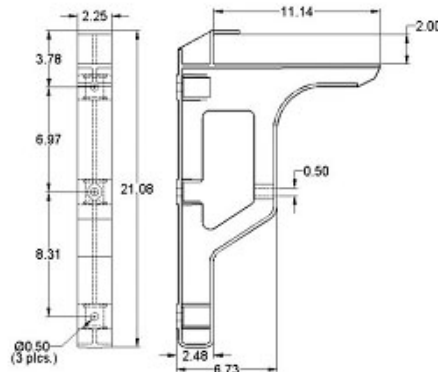


FA4015-A Ladder Bracket w/ Handle (HD0013) & Plastic Pads



- 1) Finish: Casting is wheel-a-brated. Handle is polished.
- 2) Supplied with HD0013 Handle, AH5001 Rod Assembly, Plastic Pads, and AH0045 screws

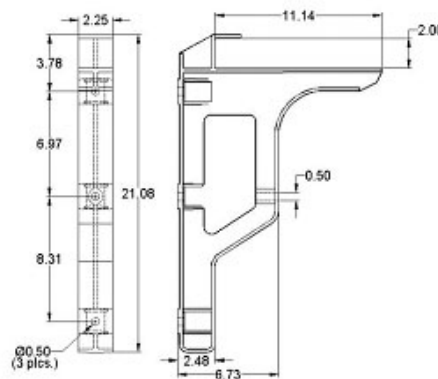
FA4016



FA4016 Ladder Bracket, Single Uni-Strut Mountw/ Handle (HD0011) & Plastic Pads

- 1) Finish: Casting is wheel-a-brated. Handle is polished.
- 2) Supplied with HD0011 Handle, AH5001 Rod Assembly, Plastic Pads, and AH0045 screws

FA4016-A



FA4016-A Ladder Bracket, Single Uni-Strut Mount w/ Handle (HD0013) & Plastic Pads

- 1) Finish: Casting is wheel-a-brated. Handle is polished.
- 2) Supplied with HD0013 Handle, AH5001 Rod Assembly, Plastic Pads, and AH0045 screws

FA4018

FA4018
Ladder Bracket with
HD4001 Handle and
plastic pads

1) Finish wheel-a-brated bracket
and polished handle

