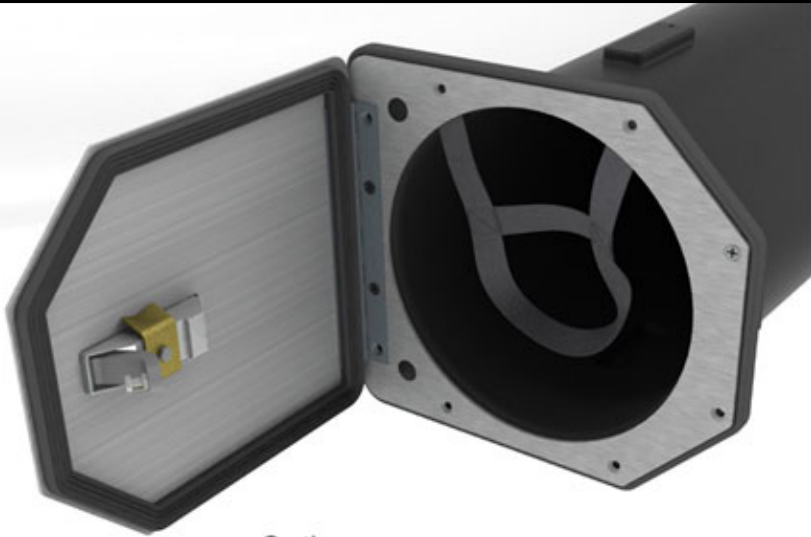


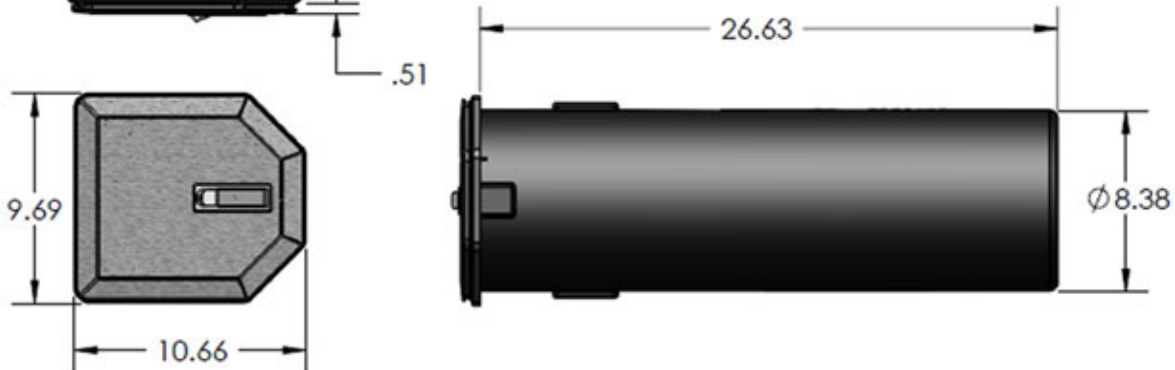
AD2001



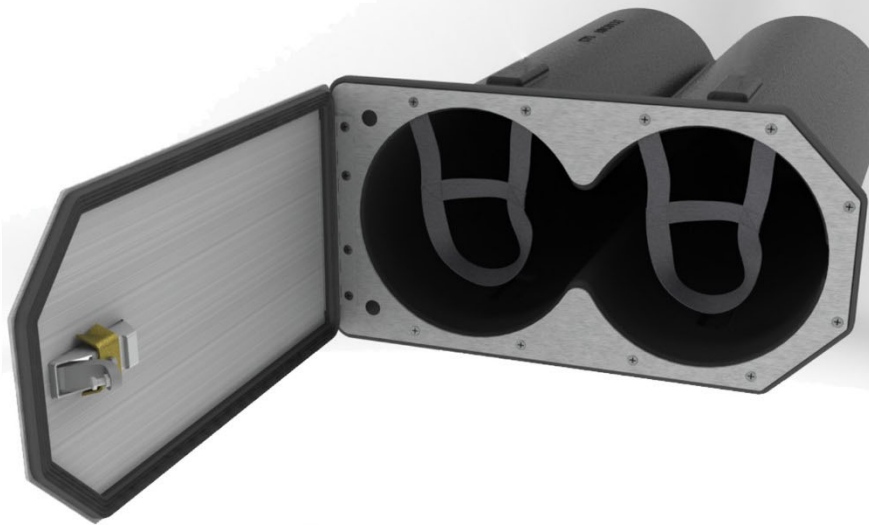
AD2001 Stainless Access Door Flange, Lid and Rotary molded tube.

- 1) All concealed mounting hardware. Stainless Piano Hinge.
- 2) Thick Rubber Gasket for sealing Flange to Lid. Rubber Gasket for mounting to rear of Rotary molded SCBA tube.
- 3) Nylon Safety Strap included.
- 4) provided with two .50" holes in flange (with plastic plugs) for door open switches (not included).
- 5) 8" ID Rotary Molded Tube.

Options:
Lid: Brushed or polished finish.
Chrome Latch: with or w/o key.
Painted Grey Latch: with or w/o key.
Weatherproof Latch: with or w/o key.



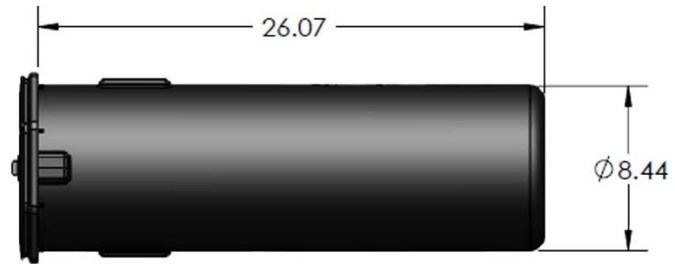
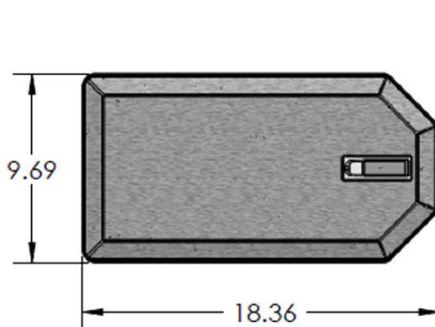
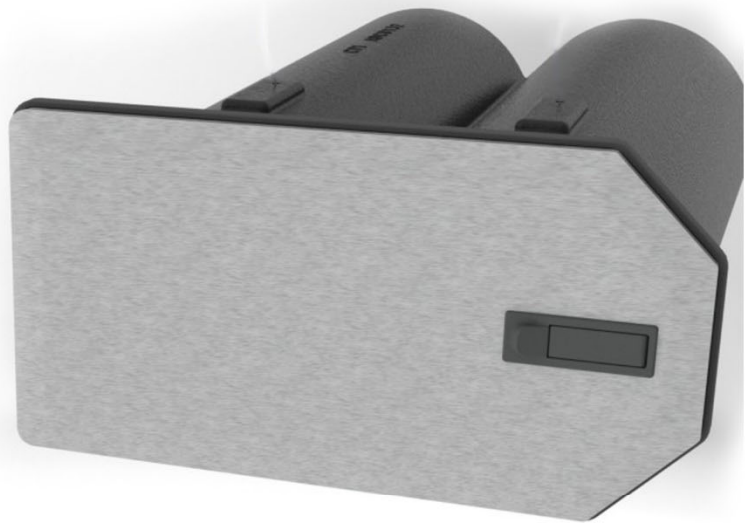
AD2002



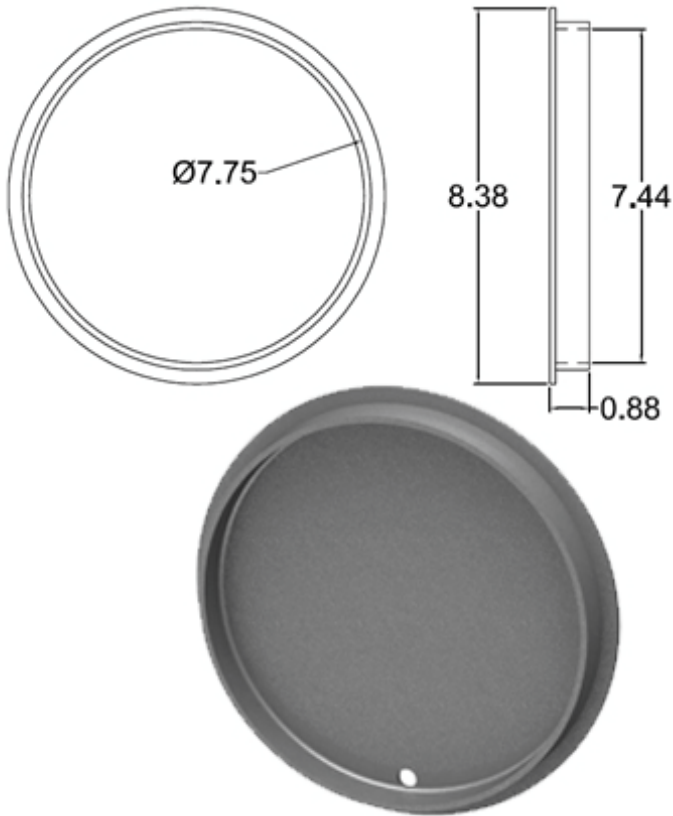
AD2002 Double Stainless Access Door Flange, Lid and Rotary molded double tube.

- 1) All concealed mounting hardware. Stainless Piano Hinge.
- 2) Thick Rubber Gasket for sealing Flange to Lid. Rubber Gasket for mounting to rear of Rotary molded SCBA tube.
- 3) Nylon Safety Strap included.
- 4) provided with two .50" holes in flange (with plastic plugs) for door open switches (not included).
- 5) 8" ID Rotary Molded Double-Tube.

Options:
Lid: Brushed or polished finish.
Chrome Latch: with or w/o key.
Painted Grey Latch: with or w/o key.
Weatherproof Latch: with or w/o key.



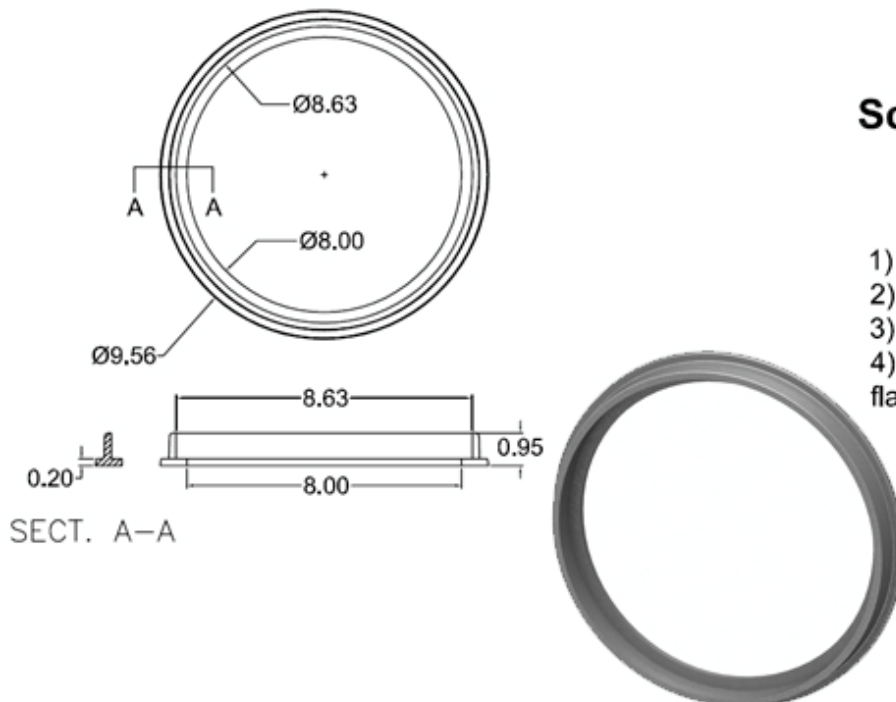
ADM0002



ADM0002 **8" Tube Cap**

- 1) Finish: Bead - Blasted (Light Gray).
- 2) Designed for aiding in the construction of the oxygen bottle compartments by attaching the 8" PVC tube to the cap.

ADM0004



ADM0004 **Adapter Ring for** **Schedule 40 PVC Pipe** **- 8 5/8" OD x 8" ID**

- 1) Finish: Wheel - a - Brated.
- 2) Fits to Schedule 40 PVC pipe.
- 3) Fitted with rivets or glue.
- 4) Use with AD0016 Access flange and door.