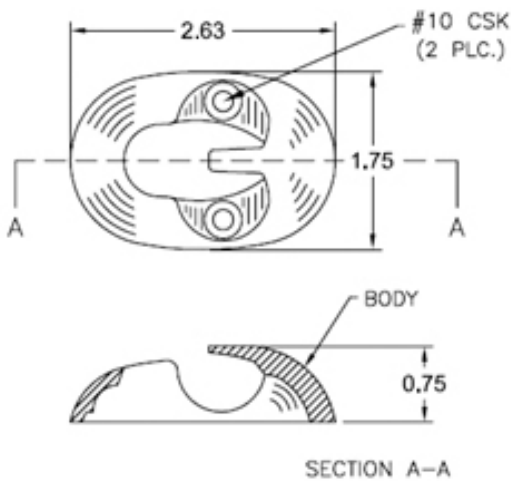


IV Hangers

IV2001

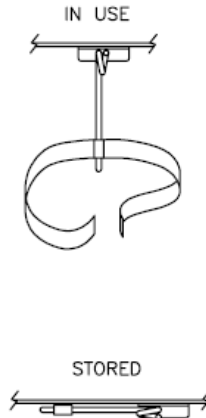
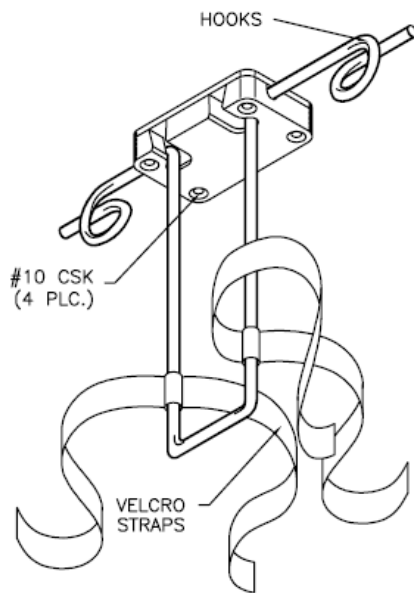


IV2001

I.V. Hook

- 1) Finish: Bright Polished.
- 2) Low silhouette with smooth, round surfaces to minimize the possibility of head injury. Hang IV Bag with one hand using thumb to actuate button.
- 3) High strength aluminum alloy 713. Can be ceiling or wall mounted. No clearance holes needed for installation.

IV2002

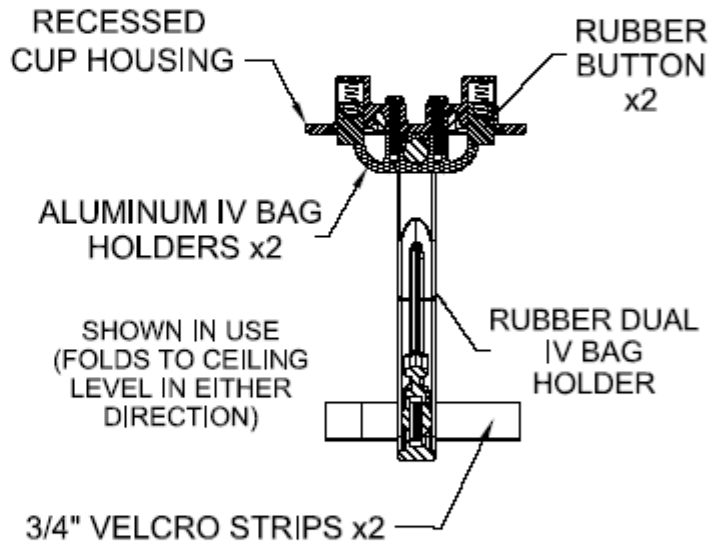
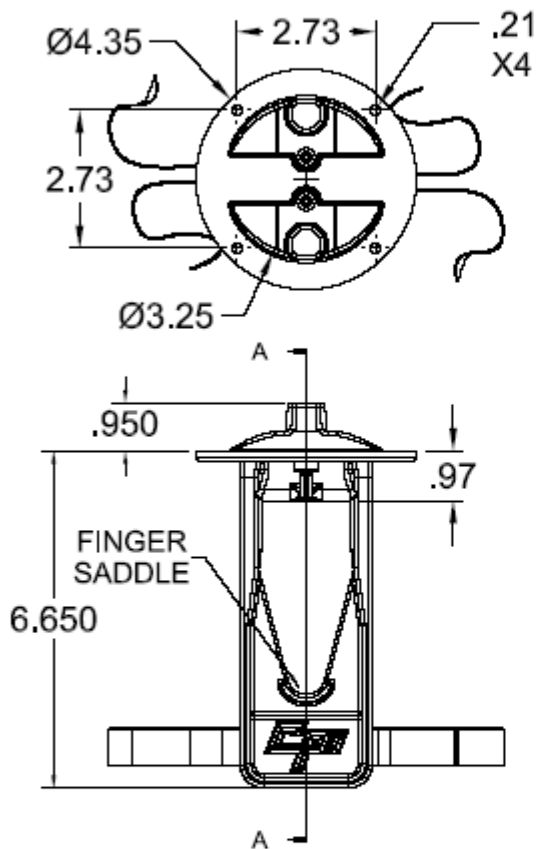


IV2002

I.V. Hanger

- 1) Positive retention in both the stored and in use positions.
- 2) Material: Body made of cast aluminum. Hooks and stanchion made of 1/4" 6061-T6 Aluminum rod.
- 3) Designed for use with 500 or 1000 cc IV bags or bottles.
- 4) Finish: Bright polished.

IV2007



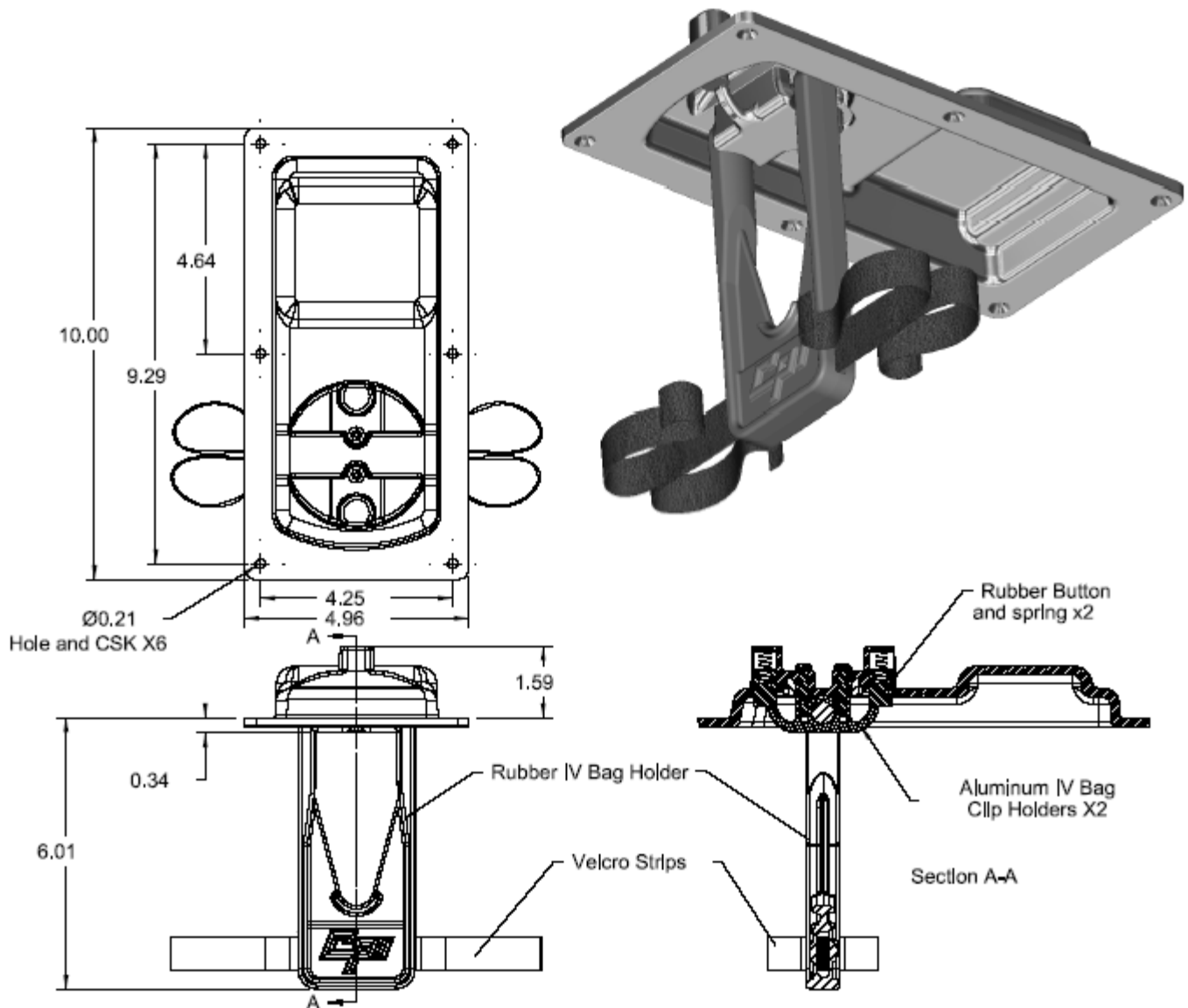
SECTION A-A

IV2007

Dual IV Hanger Assembly w/ Velcro (No Injury - Ceiling Mount)

- 1) Finish: Cup Housing and Aluminum IV Bag Clip Holders are polished. Rubber IV Bag Buttons, Rubber Dual IV Bag Holder and Velcro Strips are natural Black.
- 2) IV Bag Holder can be put away to the ceiling level in either direction.
- 3) IV Hanger assembly does not protrude more than 1", in use, or stored.

IV2008



IV2008

Dual IV Hanger Assembly w/ Velcro (No Injury - Ceiling Mount)

- 1) Finish: Rectangular Housing and Aluminum IV Bag Clip Holders are polished. Rubber IV Bag Buttons, Rubber Dual IV Bag Holder and Velcro Strips are natural Black.
- 2) IV Bag Holder can be put away into the recessed area of the casting.
- 3) IV Hanger assembly does not protrude more than 1", in use, or stored.