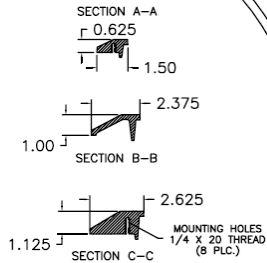
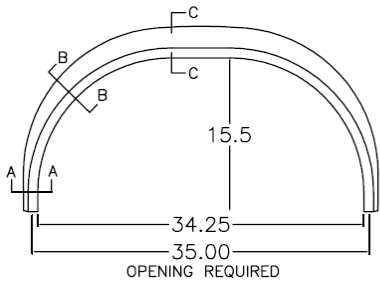


Fenderettes

FD1002

FD1002

Fenderette

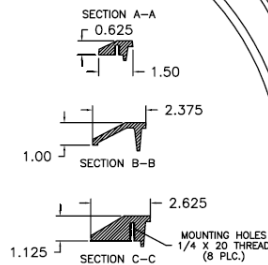
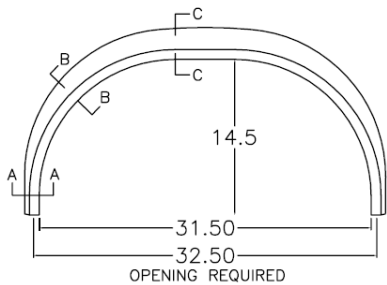


1) Finish: all exterior surfaces are polished with concealed mounting hardware.

FD1004

FD1004

Fenderette

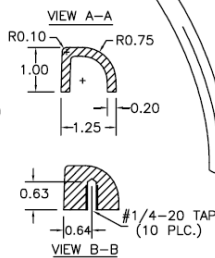
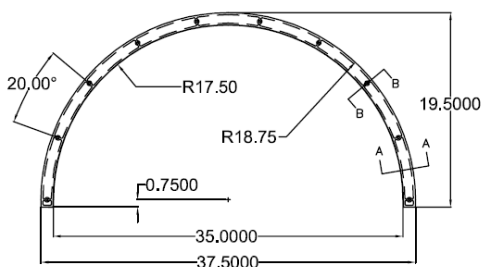


1) Finish: all exterior surfaces are polished with concealed mounting hardware.

FD1005

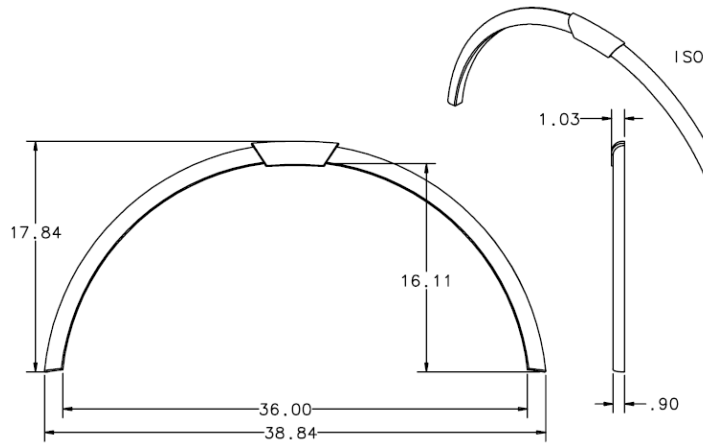
FD1005

**Fenderette
18 3/4" Radius**



1) Finish: all exterior surfaces are polished with concealed mounting hardware.

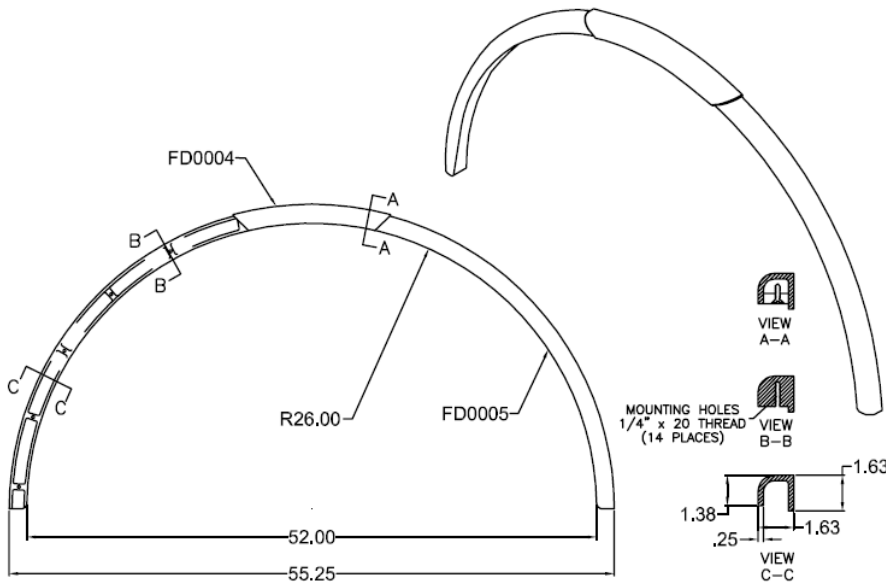
FD1006



FD1006
3 Piece Fenderette
16 1/8" Radius

- 1) Finish: all exterior surfaces are polished with concealed mounting hardware.
- 2) Halves are joined together at the crest section with 1/4x20 flat-head screws and retaining tabs (furnished).
- 3) Units are shipped unassembled.

FD1007



FD1007
3 Piece Fenderette
26" Radius

- 1) Finish: all exterior surfaces are polished with concealed mounting hardware.
- 2) Halves are joined together at the crest section with 1/4x20 flat-head screws and retaining tabs (furnished).
- 3) Units are shipped unassembled.

FD1008

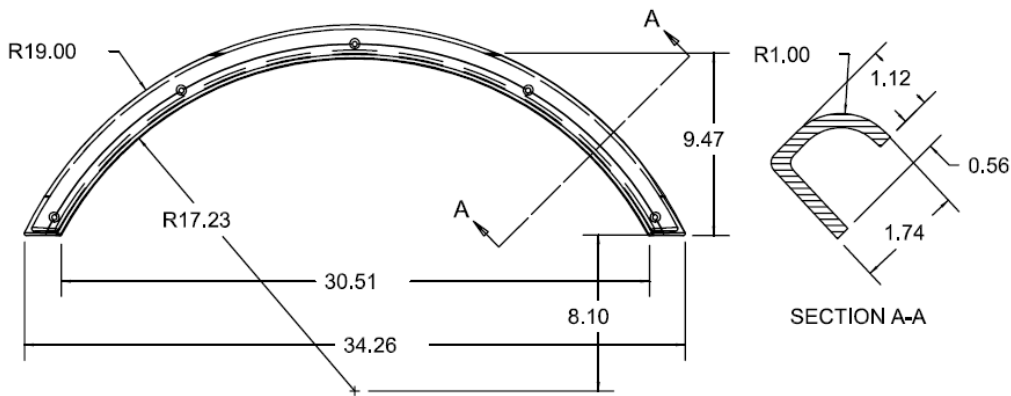


FD1008

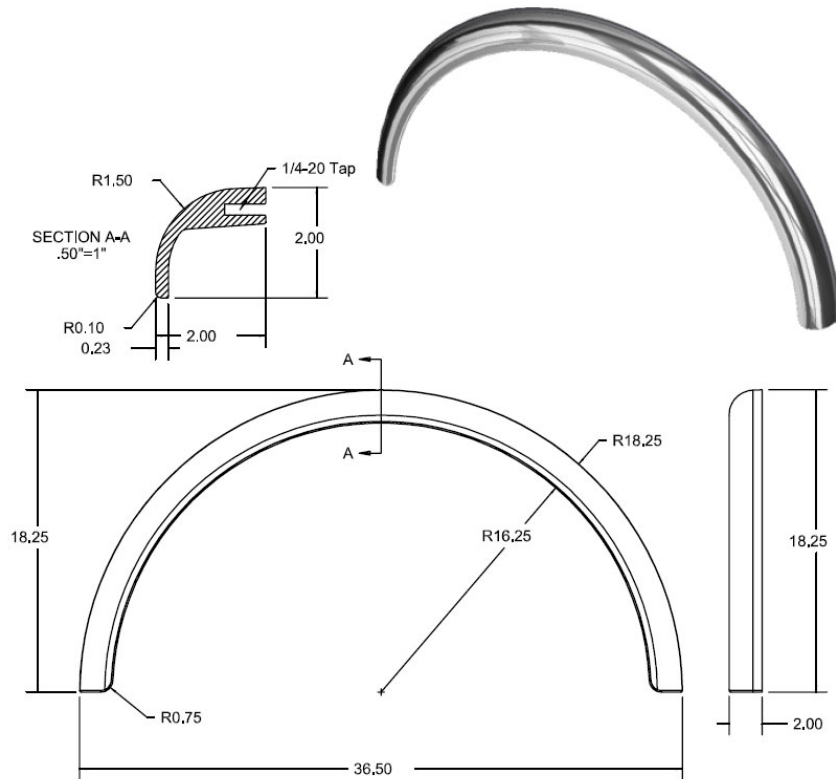
Fenderette

17 1/4" Radius

- 1) Finish: ball-burnished.
- 2) Rear notch for 1/4" thick side wall rub rail.



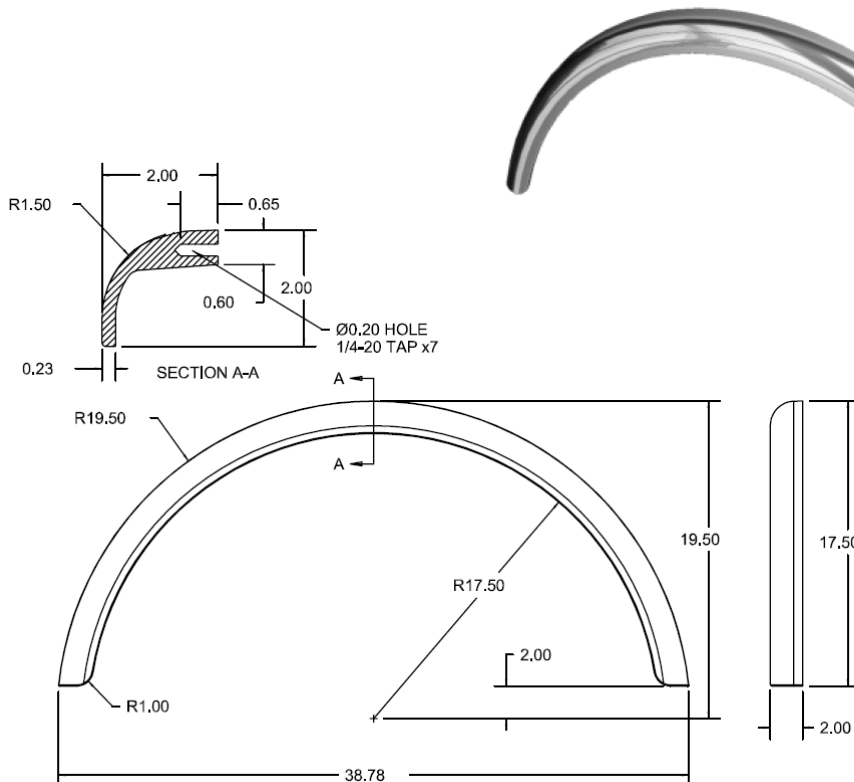
FD1009



FD1009 Fenderette 16 1/4" Radius

1) Finish: all exterior surfaces are polished with concealed mounting hardware.

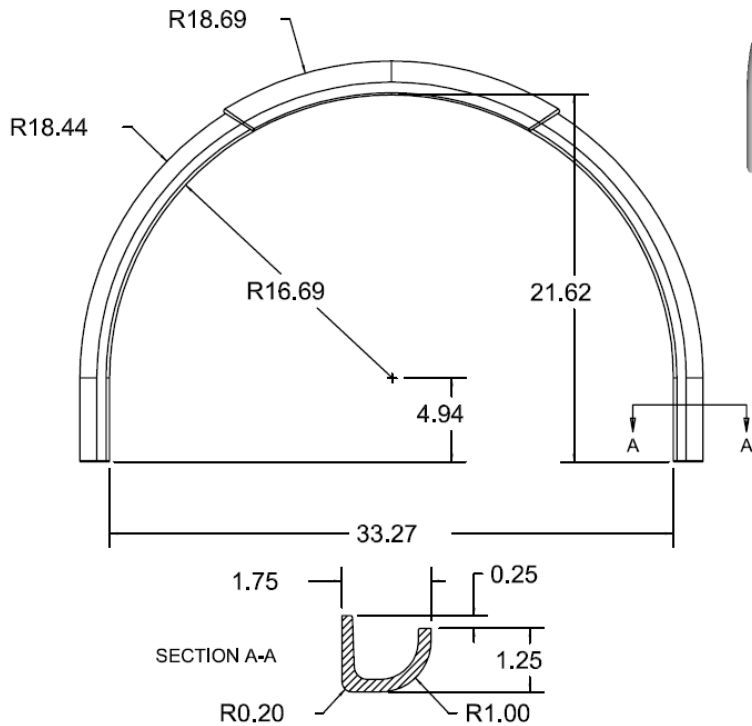
FD1010



FD1010 Fenderette 17 1/2" Radius

1) Finish: all exterior surfaces are polished.
2) Concealed mounting.

FD1011



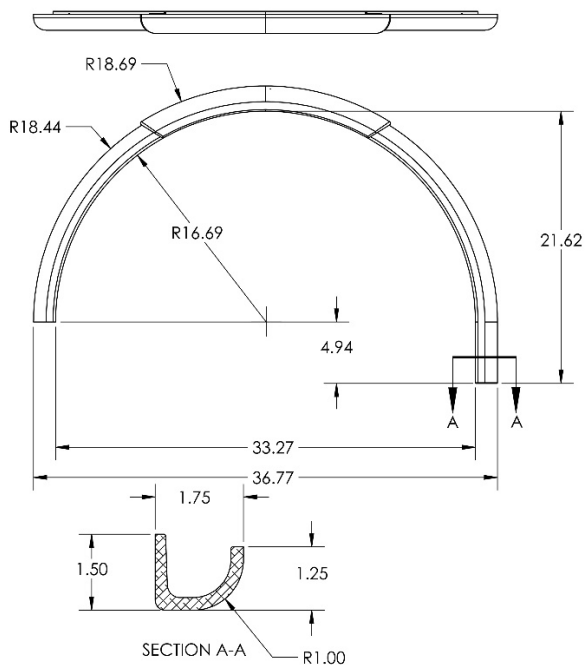
FD1011

3 pc. Fenderette

16 5/8" Radius

- 1) Finish: all exterior surfaces are polished.
- 2) Concealed mounting.

FD1012



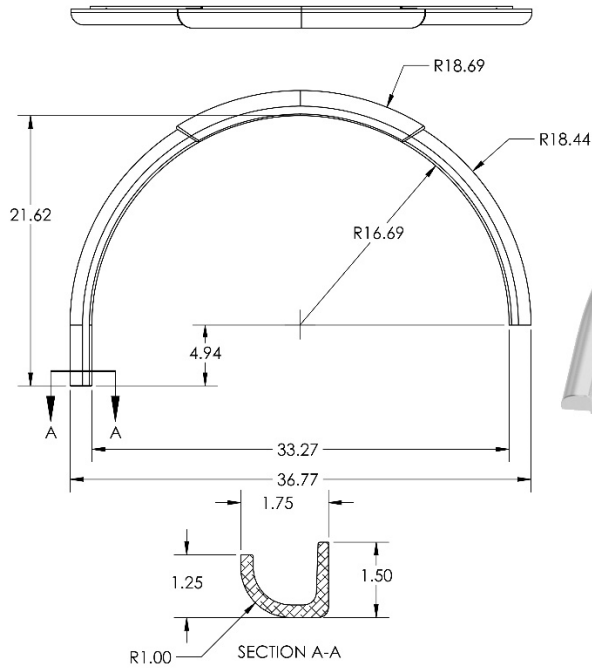
FD1012

3 pc. Fenderette

16 5/8" Radius

- 1) Finish: all exterior surfaces are polished.
- 2) Concealed mounting.

FD1013



FD1013

3 pc. Fenderette 16 5/8" Radius

- 1) Finish: all exterior surfaces are polished.
- 2) Concealed mounting.

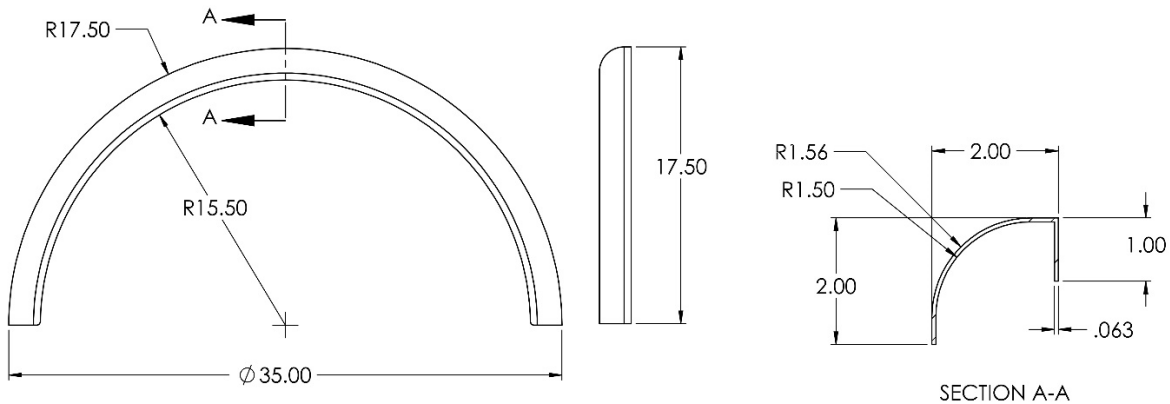
FD1014



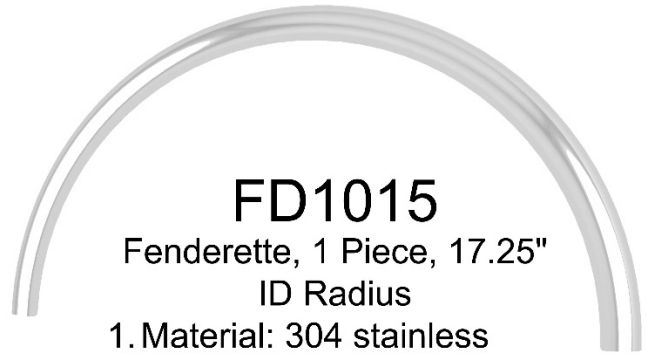
FD1014

Fenderette, 1 Piece, 15.50" ID Radius

- 1. Material: 304 stainless steel (16 gauge).
- 2. Finish: (-1) Polished exterior.



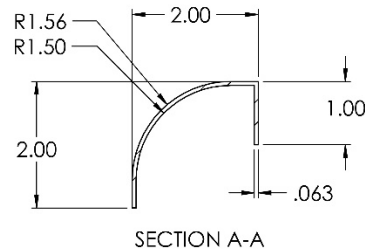
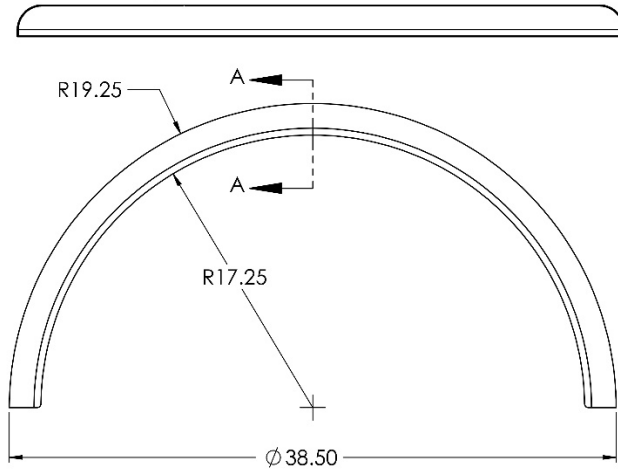
FD1015



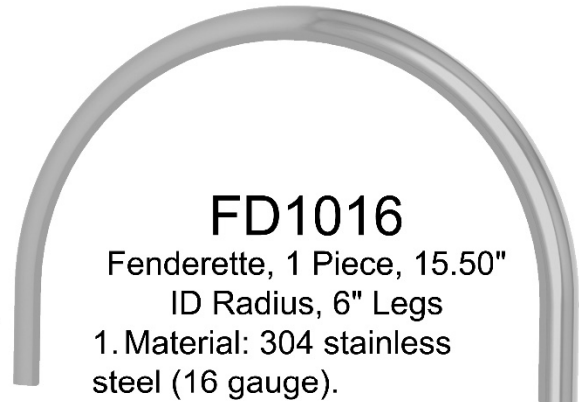
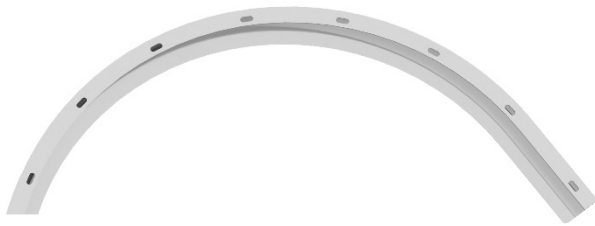
FD1015

Fenderette, 1 Piece, 17.25"
ID Radius

1. Material: 304 stainless steel (16 gauge).
2. Finish: (-1) Polished exterior.



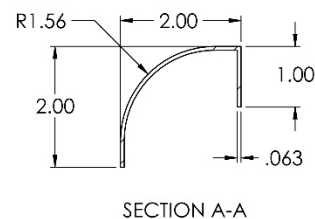
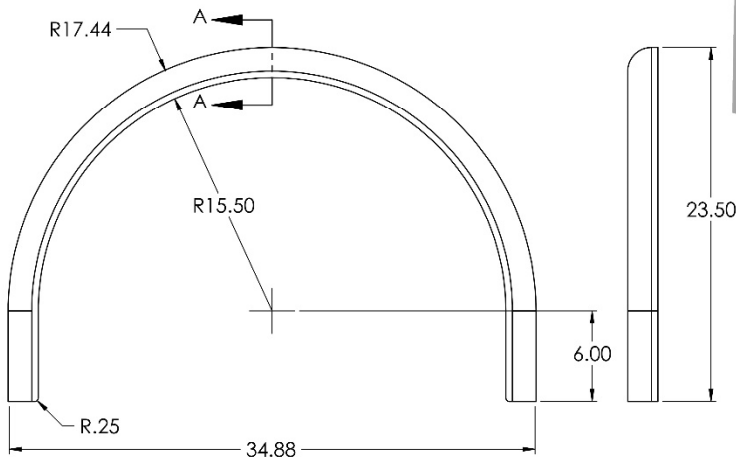
FD1016



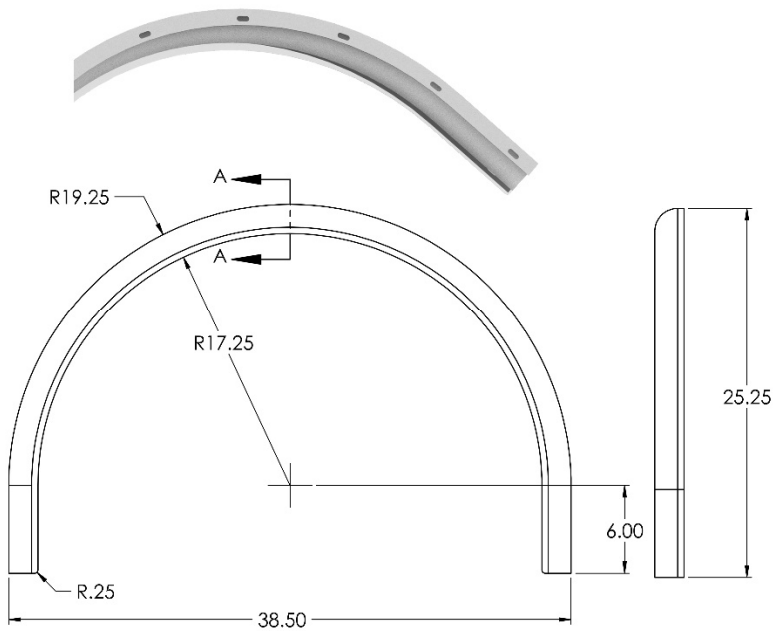
FD1016

Fenderette, 1 Piece, 15.50"
ID Radius, 6" Legs

1. Material: 304 stainless steel (16 gauge).
2. Finish: (-1) Polished exterior.



FD1017



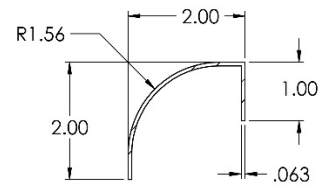
FD1017

Fenderette, 1 Piece, 17.25"

ID Radius, 6" Legs

1. Material: 304 stainless steel (16 gauge).

2. Finish: (-1) Polished exterior.



SECTION A-A