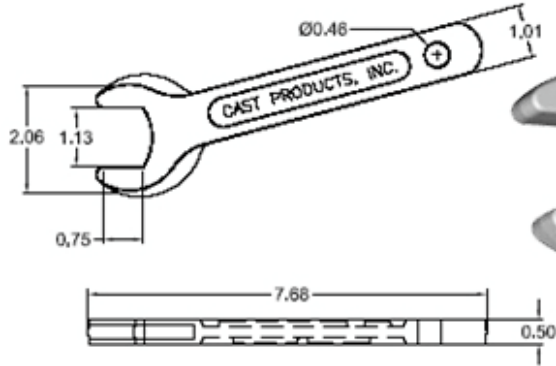


# Oxygen Cylinder Accessories

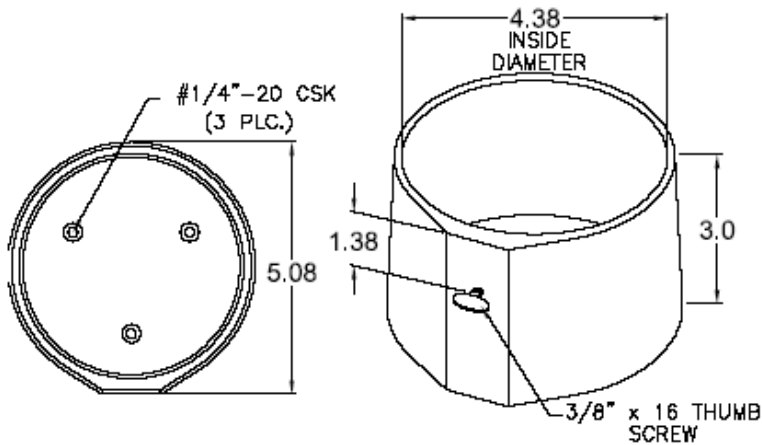
**OA0002**



**OA0002**  
**Oxygen Cylinder**  
**Wrench**

1) Finish: Wheel-a-brated

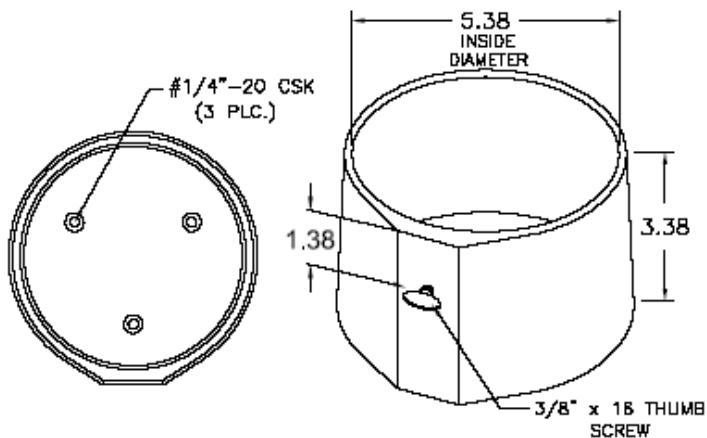
**OA0003**



**OA0003**  
**Single Oxygen Cylinder Cup**  
**for "D" & "E" sizes**

1) Finish: Inside is bead-blasted.  
 Outside is polished.

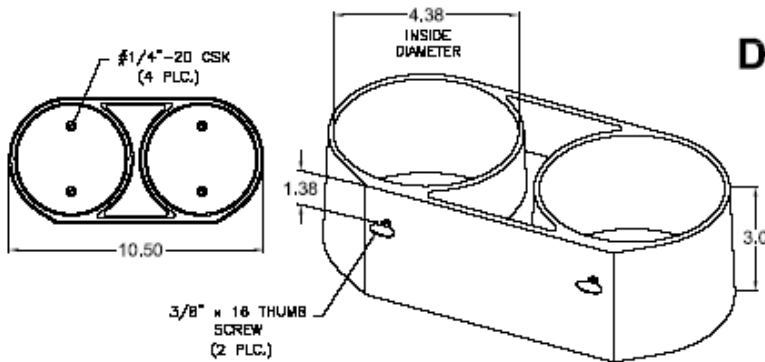
**OA0004**



**OA0004**  
**Single Oxygen Cylinder Cup**  
**for "Jumbo" sizes**

1) Finish: Inside is bead-blasted.  
 Outside is polished.

**OA0005**

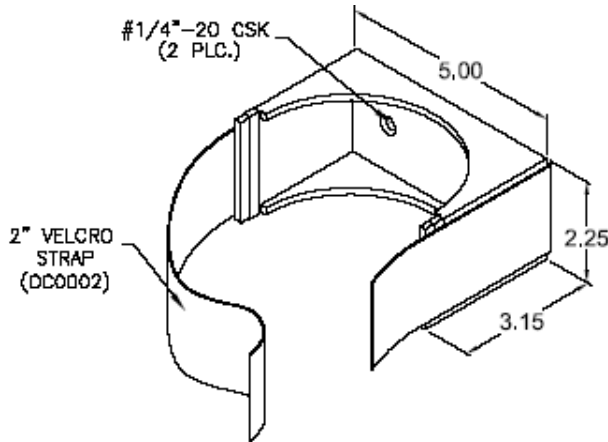


## **OA0005**

### **Double Oxygen Cylinder Cup for "D" & "E" sizes**

- 1) Finish: Inside is bead-blasted.  
Outside is polished.

**OA0006**

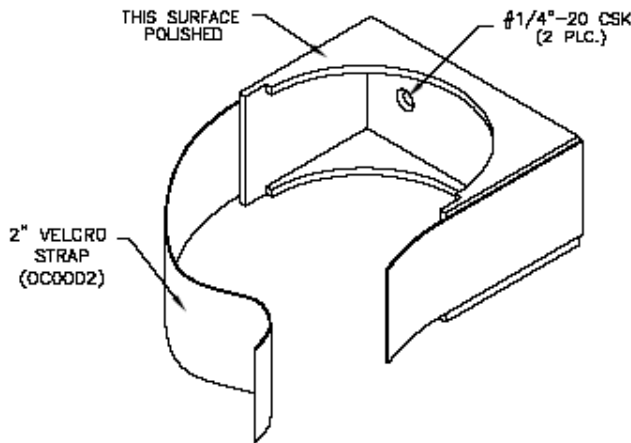


## **OA0006**

### **Single Oxygen Cylinder Clamp for "D" & "E" sizes**

- 1) Finish: Inside is bead-blasted.  
Outside is polished.
- 2) Use the clamp with part  
#OA0003. Important: Cup to wall  
distance is determined by this  
clamp.

**OA0007**

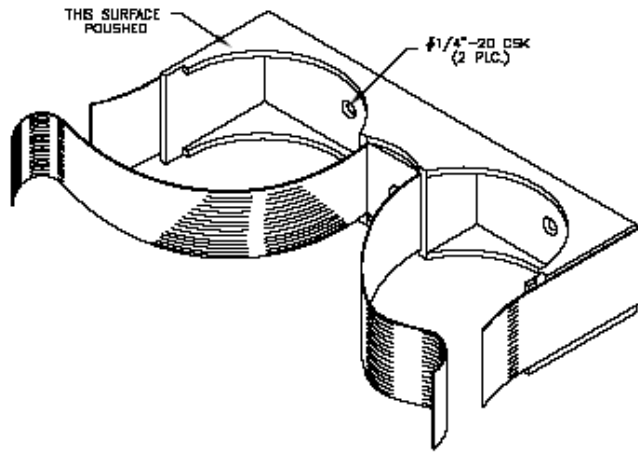


## **OA0007**

### **Single Oxygen Cylinder Clamp for "Jumbo" sizes**

- 1) Finish: Inside is bead-blasted.  
Outside is polished.
- 2) Use the clamp with part  
#OA0004. Important: Cup to wall  
distance is determined by this  
clamp.

## OA0008

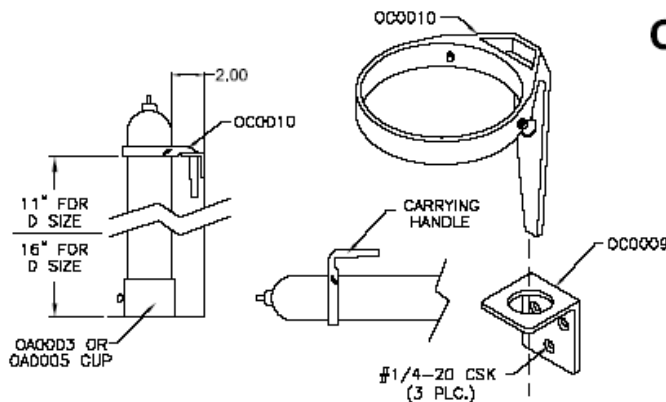


## OA0008

### Double Oxygen Cylinder Clamp for "D" & "E" sizes

- 1) Finish: Inside is bead-blasted. Outside is polished.
- 2) Use the clamp with part #OA0005. Important: Cup to wall distance is determined by this clamp.

## OA0009

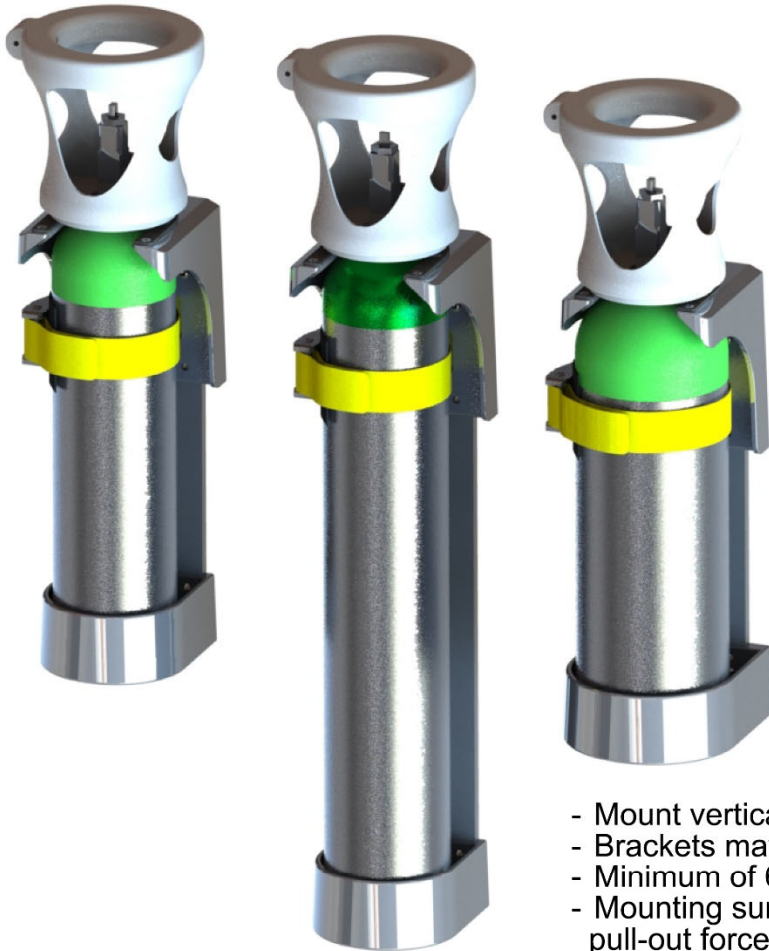


## OA0009

### Oxygen Cylinder Holder for "D & E" sizes

- 1) Finish: Polished.
- 2) Special Feature: Built-in carry handle.
- 3) Mounting screws furnished.

# Duramount Oxygen Bottle Holders



## OA1101-D-1

D 4.30" Cylinder: Oxygen Bottle Retention System / Assembly

## OA1103-E-1

E 4.30" Cylinder: Oxygen Bottle Retention System / Assembly

## OA1102-JD-1

JD 5.30" Cylinder: Oxygen Bottle Retention System / Assembly

## OA1107-JD-1

JD 5.30" + .125" Cylinder: Oxygen Bottle Retention System / Assembly

- Mount vertically or horizontally
- Brackets may be mounted side by side
- Minimum of 6 mounting points using 1/4" SS hardware
- Mounting surface must be able to withstand the pull-out force greater than the strength of the mounting hardware

Designed to accommodate steel and aluminum oxygen cylinders including "D", "E", and "Jumbo D" sizes, our all Duramount Oxygen Bottle Holders are specifically designed to meet stringent safety standards, provide secure attachment, and maintain unmatched quality throughout the life of its use. Our Duramounts products are constructed of durable cast aluminum and accommodates almost all oxygen regulator controls. Our brackets have been tested to meet KKK-1822-F and SAE J3043 requirements, and can be mounted both vertically and horizontally. Cylinders not included.

# Duramount Fire Extinguisher Holders



**OA1104-5LB-FIRE-1**  
 DURAMOUNT "5 LB" Fire  
 Extinguisher Retention System /  
 Assembly (4.30" Cylinder)

**OA1105-10LB-FIRE-1**  
 DURAMOUNT "10 LB" Fire  
 Extinguisher Retention System /  
 Assembly (5.10" Cylinder)

- Mount vertically or horizontally
- Brackets may be mounted side by side
- Minimum of 6 mounting points using 1/4" SS hardware
- Mounting surface must be able to withstand the pull-out force greater than the strength of the mounting hardware

Designed to accommodate steel and aluminum oxygen cylinders including "D", "E", and "Jumbo D" sizes, our all Duramount Holders are specifically designed to meet stringent safety standards, provide secure attachment, and maintain unmatched quality throughout the life of its use. Our Duramounts products are constructed of durable cast aluminum and accommodates almost all regulator controls. Our brackets have been tested to meet KKK-1822-F and SAE J3043 requirements, and can be mounted both vertically and horizontally. Cylinders not included.



# Auto Duramount Oxygen Bottle Holders



## OA1201-D-1

Strapless DURAMOUNT "D"  
4.30" Cylinder: Oxygen Bottle  
Retention System

## OA1202-E-1

Strapless DURAMOUNT "E"  
4.30" Cylinder: Oxygen Bottle  
Retention System

## OA1203-JD-1

Strapless DURAMOUNT "JD"  
Jumbo 5.30" Cylinder: Oxygen  
Bottle Retention System

- Mount vertically or horizontally
- Brackets may be mounted side by side
- Minimum of 6 mounting points using 1/4" SS hardware
- Mounting surface must be able to withstand the pull-out force greater than the strength of the mounting hardware

Designed to accommodate steel and aluminum oxygen cylinders including "D", "E", and "Jumbo D" sizes, our all new Auto-Release Duramount Oxygen Bottle Holders are specifically designed to meet stringent safety standards, provide secure attachment, and maintain unmatched quality throughout the life of its use. Our Duramounts products are constructed of durable cast aluminum and accommodates almost all oxygen regulator controls. Our brackets have been tested to meet KKK-1822-F and SAE J3043 requirements, and can be mounted both vertically and horizontally. Cylinders not included.



# Auto Duramount Dual Oxygen Bottle Holder



OA1205-DUAL-D-1  
Dual Strapless DURAMOUNT  
"D" 4.30" Cylinder: Oxygen Bottle  
Retention System / Assembly



- Mount vertically or horizontally
- Mounts into an 11" wide space.
- Minimum of 6 mounting points using 1/4" SS hardware
- Mounting surface must be able to withstand the pull-out force greater than the strength of the mounting hardware

Designed to accommodate steel and aluminum "D" oxygen cylinder, our all new Auto-Release "Dual" Duramount Oxygen Bottle Holders are specifically designed to meet stringent safety standards, provide secure attachment, and maintain unmatched quality throughout the life of its use. Our Duramounts products are constructed of durable cast aluminum and accommodates almost all oxygen regulator controls. Our brackets have been tested to meet KKK-1822-F and SAE J3043 requirements, and can be mounted both vertically and horizontally. Cylinders not included.