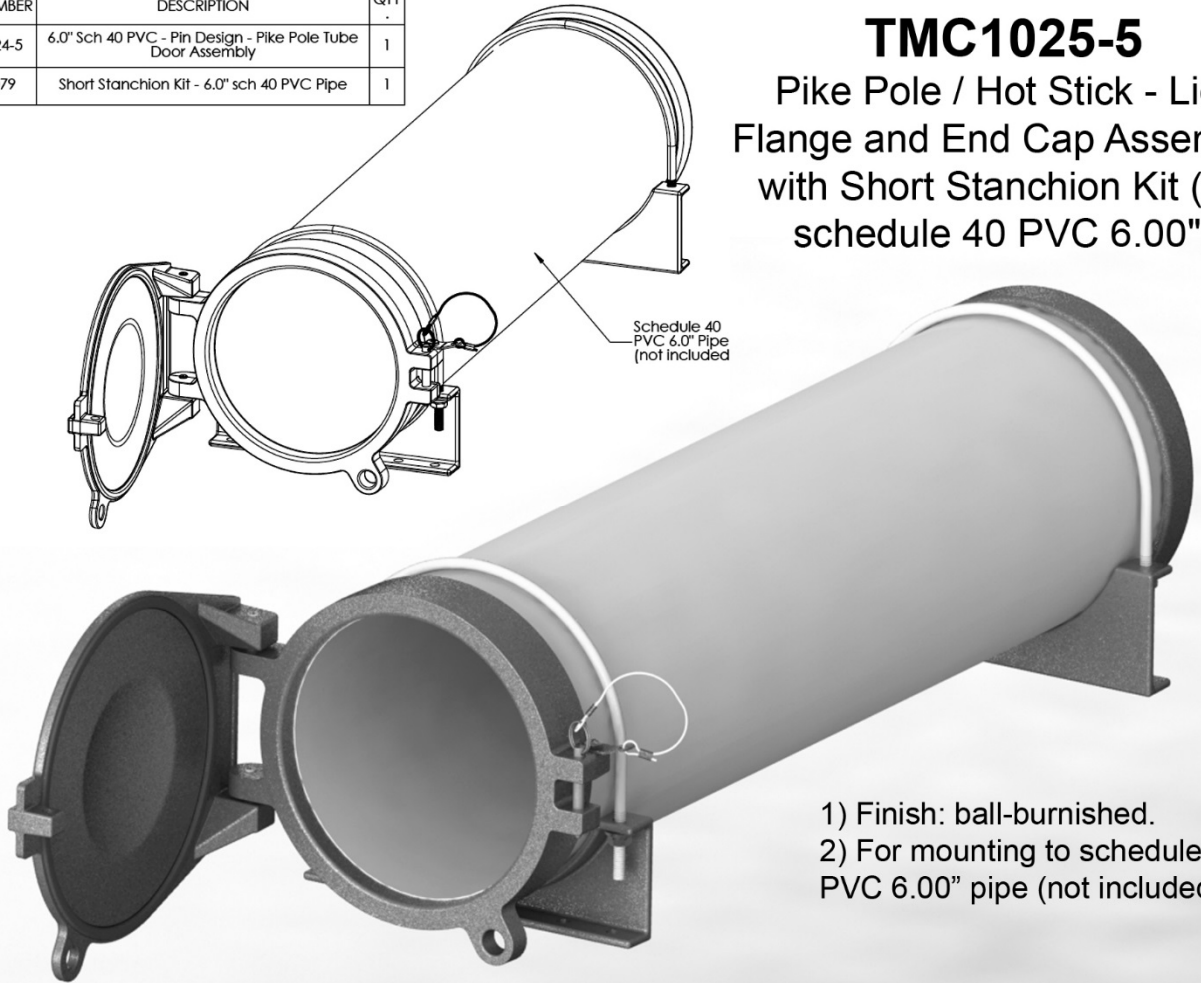


TMC1025

| ITEM NO. | PART NUMBER | DESCRIPTION | QTY |
|----------|-------------|---|-----|
| 1 | TMC1024-5 | 6.0" Sch 40 PVC - Pin Design - Pike Pole Tube Door Assembly | 1 |
| 2 | TMC0079 | Short Stanchion Kit - 6.0" sch 40 PVC Pipe | 1 |



TMC1025-5

Pike Pole / Hot Stick - Lid,
Flange and End Cap Assembly
with Short Stanchion Kit (for
schedule 40 PVC 6.00")

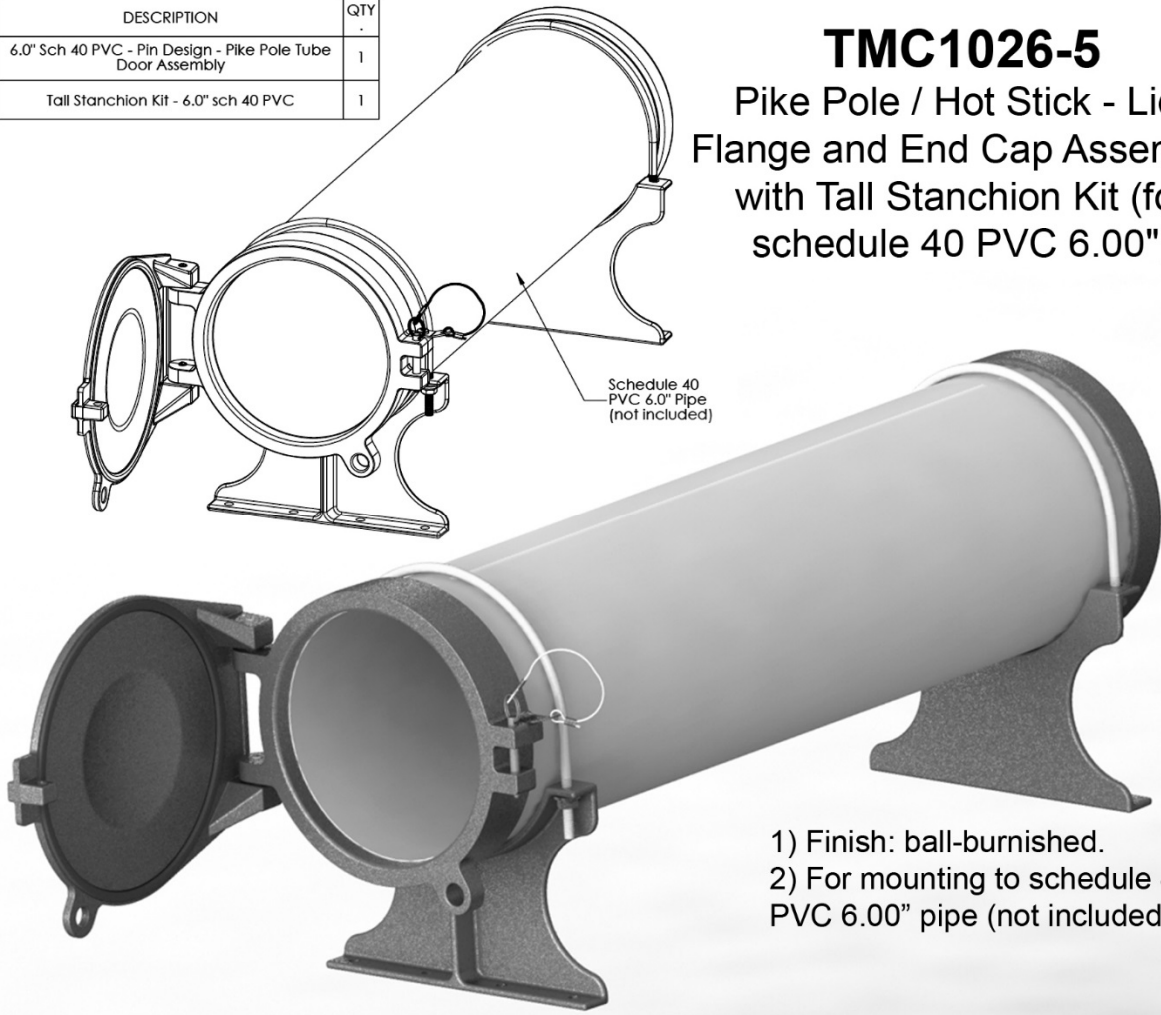
- 1) Finish: ball-burnished.
- 2) For mounting to schedule 40 PVC 6.00" pipe (not included)

TMC1026

| ITEM NO. | PART NUMBER | DESCRIPTION | QTY |
|----------|-------------|---|-----|
| 1 | TMC1024-5 | 6.0" Sch 40 PVC - Pin Design - Pike Pole Tube Door Assembly | 1 |
| 2 | TMC0080 | Tall Stanchion Kit - 6.0" sch 40 PVC | 1 |

TMC1026-5

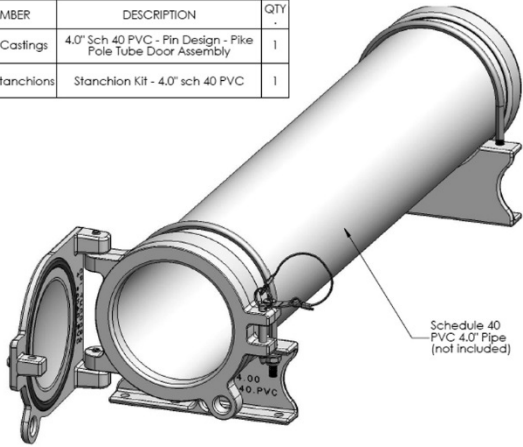
Pike Pole / Hot Stick - Lid, Flange and End Cap Assembly with Tall Stanchion Kit (for schedule 40 PVC 6.00")



- 1) Finish: ball-burnished.
- 2) For mounting to schedule 40 PVC 6.00" pipe (not included)

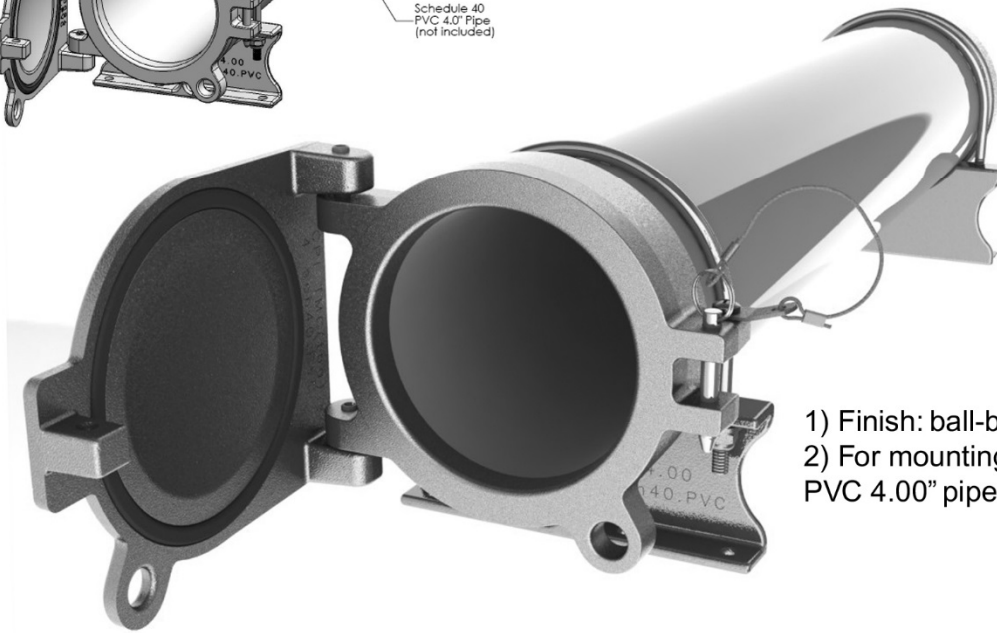
TMC1040

| ITEM NO. | PART NUMBER | DESCRIPTION | QTY |
|----------|----------------------|---|-----|
| 1 | TMC1040-5 Castings | 4.0" Sch 40 PVC - Pin Design - Pike Pole Tube Door Assembly | 1 |
| 2 | TMC1040-5 Stanchions | Stanchion Kit - 4.0" sch 40 PVC | 1 |



TMC1040-5

Pike Pole / Hot Stick - Lid,
Flange and End Cap Assembly
with Stanchion Kit (for schedule
40 PVC 4.00")



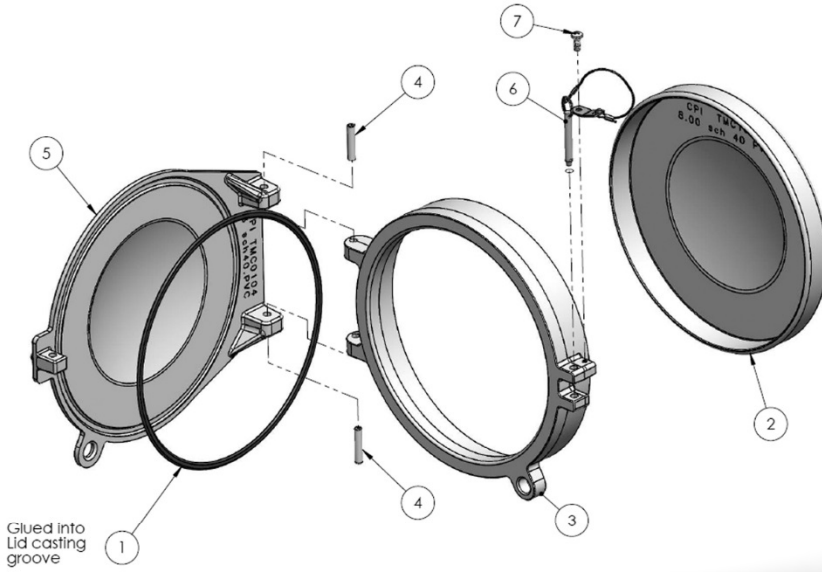
- 1) Finish: ball-burnished.
- 2) For mounting to schedule 40 PVC 4.00" pipe (not included)

TMC1043

TMC1043-5

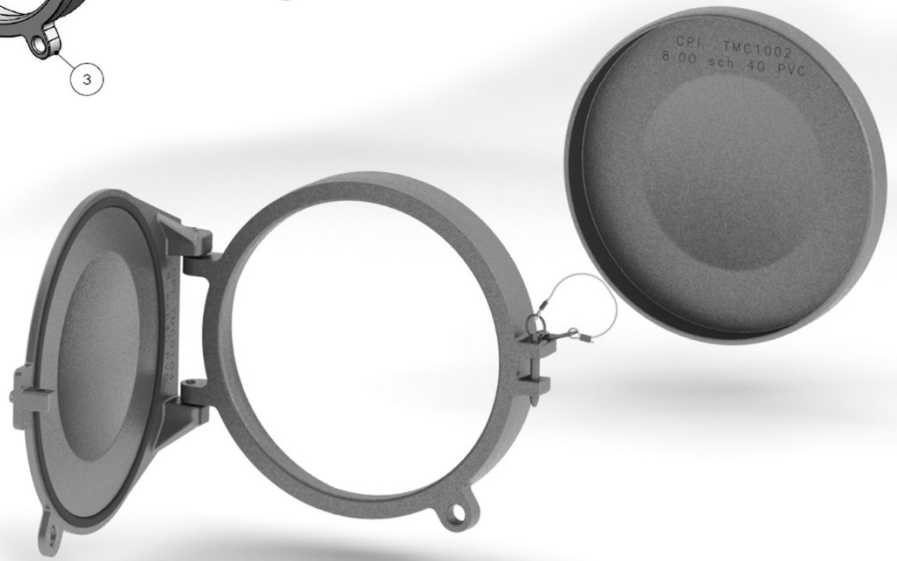
Pike Pole / Hot Stick - Lid, Flange and Pin Assembly, with End Cap Casting (for 8.0" sch 40 PVC)

- 1) Finish: ball-burnished.
- 2) For mounting to schedule 40 PVC 8.00" pipe (not included)



Glued into Lid casting groove

| ITEM NO. | PART NUMBER | DESCRIPTION | Def aull /QTY |
|----------|----------------|---|---------------------|
| 1 | AH0100 x 27.25 | .25" diameter x 27.25" Cord Gasket | 1 |
| 2 | TMCD102-5 | End Cap Casting (for schedule 40 PVC 8.00") | 1 |
| 3 | TMCD103-5 | Flange Casting - Pin Design (for schedule 40 PVC 8.00") | 1 |
| 4 | AH0193 | .250" x 1.25" Spring Pin Stainless | 2 |
| 5 | TMCD104-5 | Lid Casting - Pin Design (for schedule 40 PVC 8.00") | 1 |
| 6 | AH0260 | 1/4" Stainless Pin with Ball Detent and Lanyard | 1 |
| 7 | AH0036 | 10-24 x .500" MS Phillips Pan Head Screw Stainless | 1 |

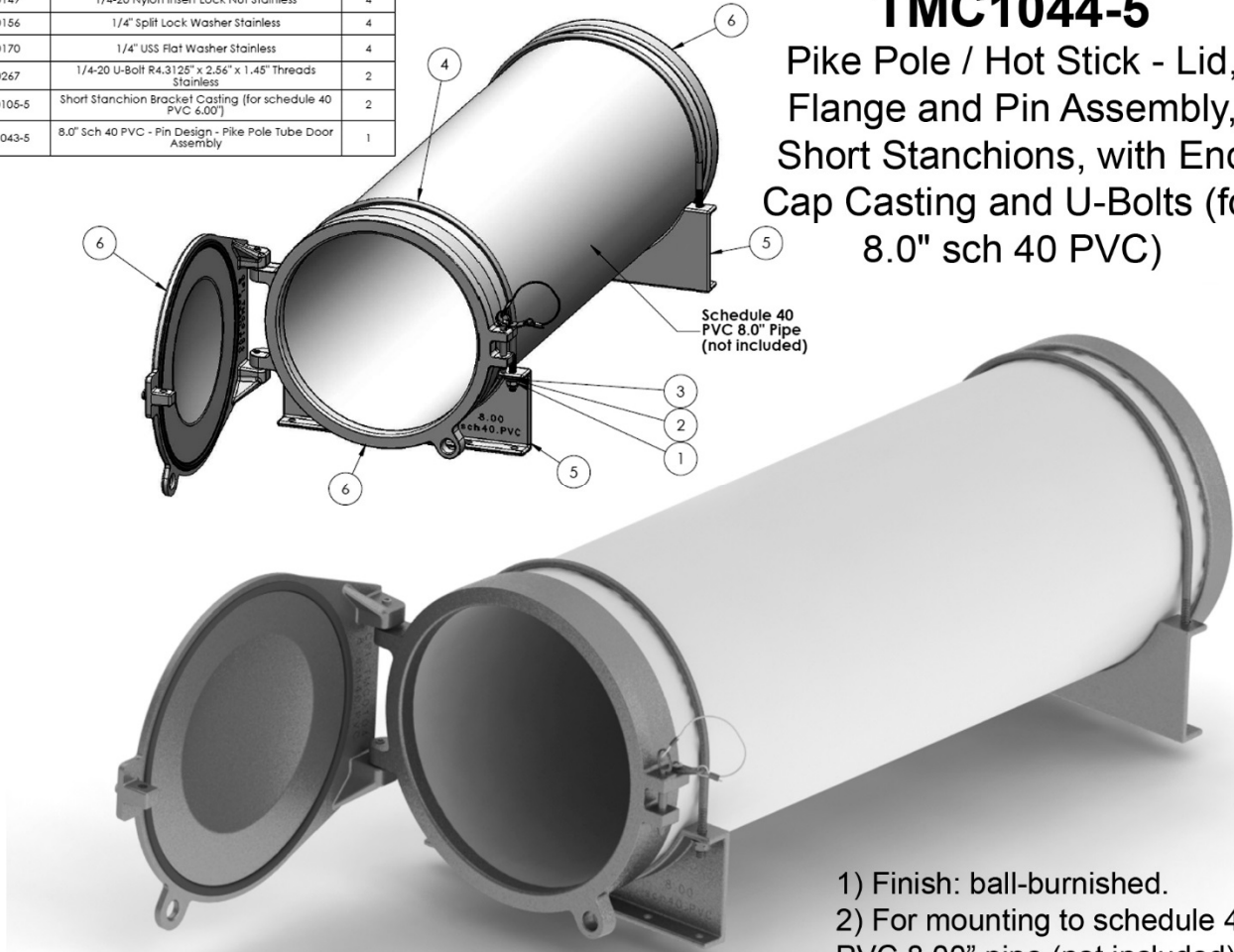


TMC1044

| ITEM NO. | PART NUMBER | DESCRIPTION | QTY. |
|----------|-------------|---|------|
| 1 | AH0149 | 1/4-20 Nylon Insert Lock Nut Stainless | 4 |
| 2 | AH0156 | 1/4" Split Lock Washer Stainless | 4 |
| 3 | AH0170 | 1/4" USS Flat Washer Stainless | 4 |
| 4 | AH0267 | 1/4-20 U-Bolt R4.3125" x 2.56" x 1.45" Threads Stainless | 2 |
| 5 | TMC0105-5 | Short Stanchion Bracket Casting (for schedule 40 PVC 6.00") | 2 |
| 6 | TMC1043-5 | 8.0" Sch 40 PVC - Pin Design - Pike Pole Tube Door Assembly | 1 |

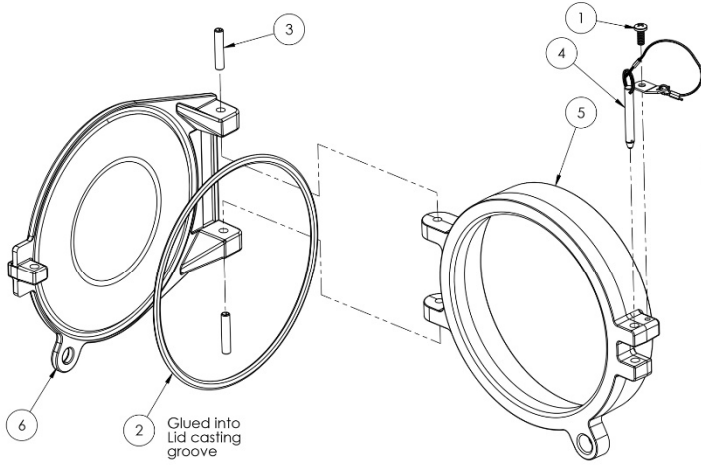
TMC1044-5

Pike Pole / Hot Stick - Lid, Flange and Pin Assembly, Short Stanchions, with End Cap Casting and U-Bolts (for 8.0" sch 40 PVC)



- 1) Finish: ball-burnished.
- 2) For mounting to schedule 40 PVC 8.00" pipe (not included)

TMC1045



TMC145-5

6.0" Sch 40 PVC - Pin Design - Pike
Pole Tube Door Assembly

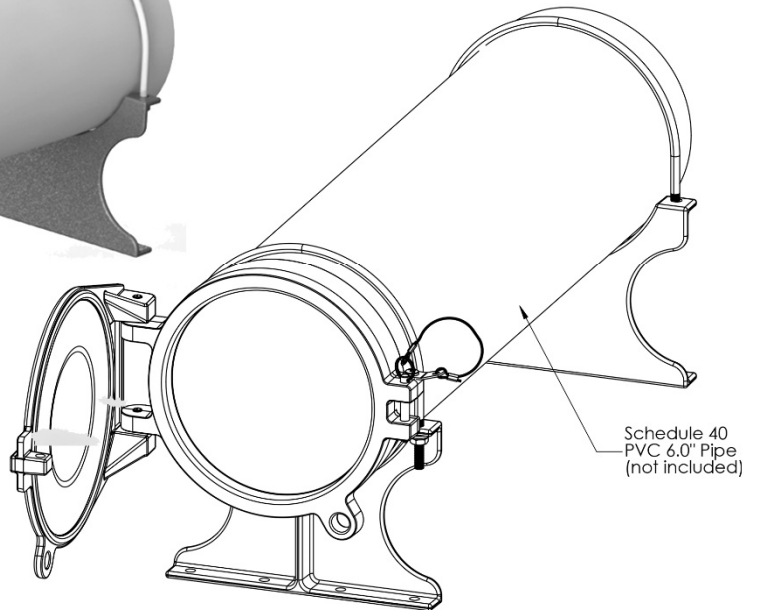


TMC1046

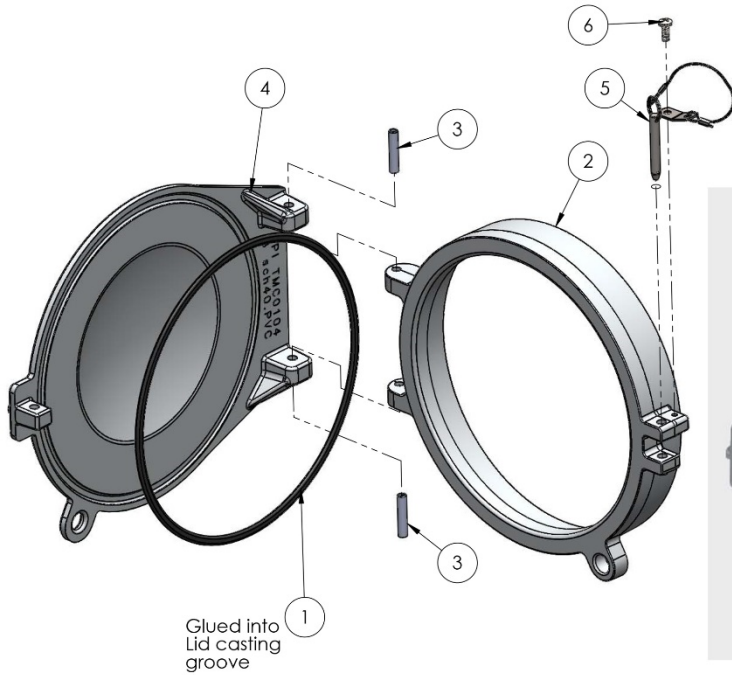


TMC1046-5 Kit

Pike Pole / Hot Stick - Lid, Flange and End
Cap Assembly with Tall Stanchion Kit (for
schedule 40 PVC 6.00")



TMC1048



TMC1048-5

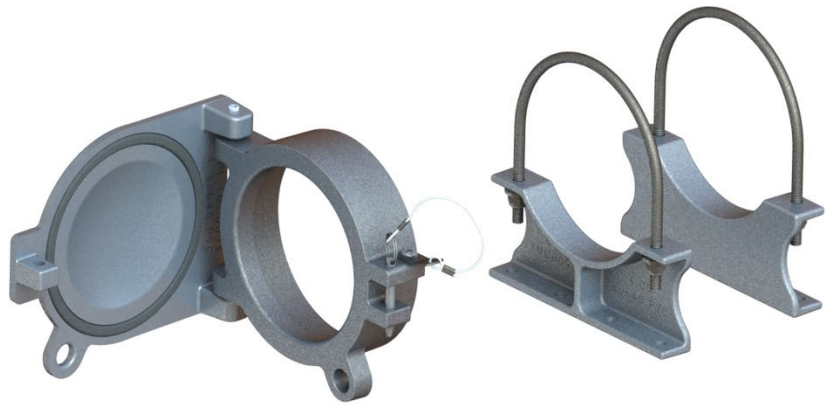
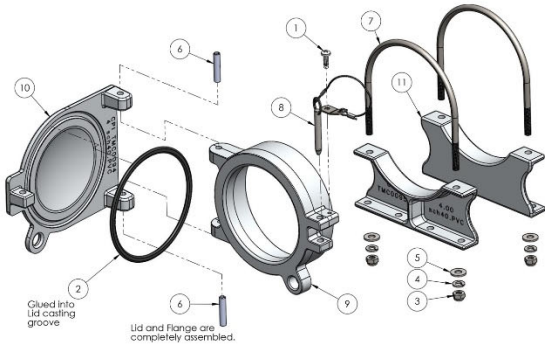
8.0" sch 40 PVC, Pike Pole / Hot Stick - Lid, Flange and Pin Assembly (for schedule 40 PVC 8.00" - not included)



TMC1049

TMC1049-5

4.0" Sch 40 PVC - Pin Design - Pike Pole Tube Door Assembly



TMC1050

TMC1050-5

4.0" Sch 40 PVC - Pin Design - Pike
Pole Tube Door Assembly

