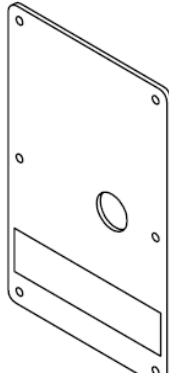
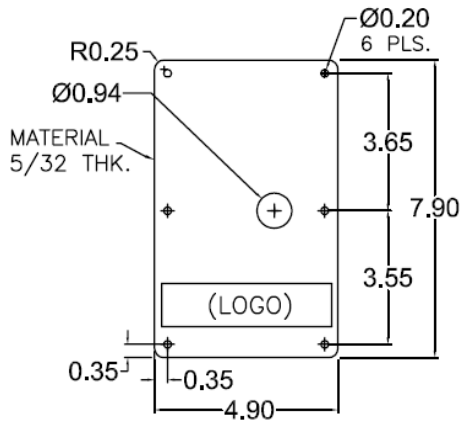


# Door Hardware

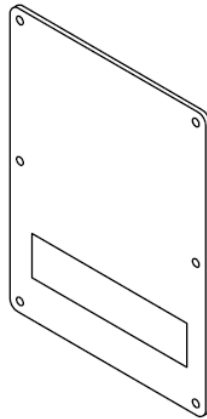
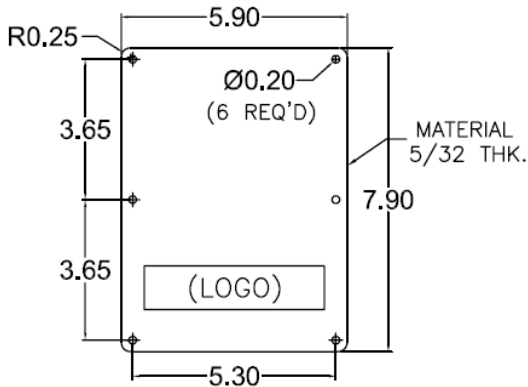
## DH0001



## DH0001 Door Latch Cover Plate

- 1) Finish: Available ground and brushed or ball-burnished.
- 2) Other sizes available upon request.

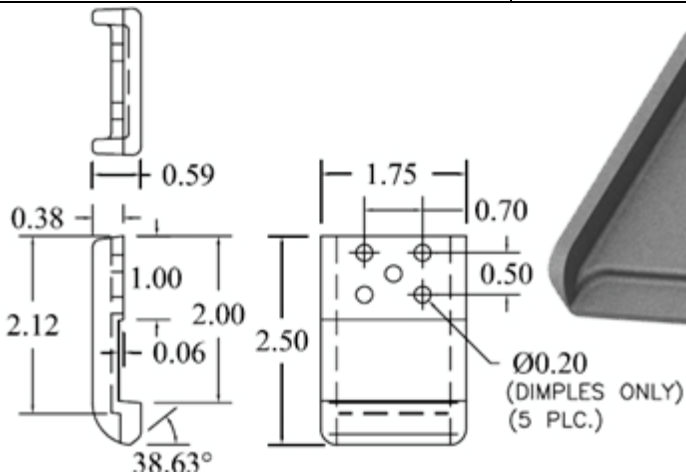
## DH0002



## DH0002 Door Latch Cover Plate

- 1) Finish: Available ground and brushed or ball-burnished.
- 2) Other sizes available upon request.

## DH0006



## DH0006 Door Striker Plate

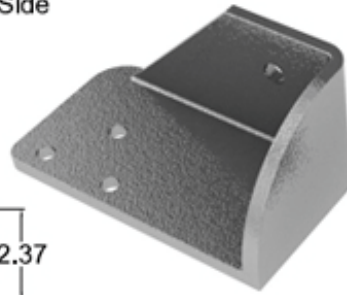
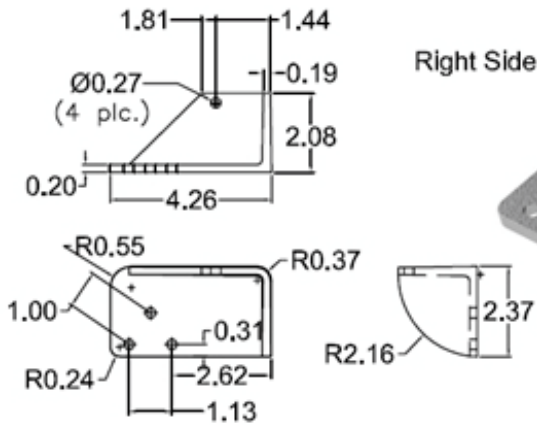
- 1) Finish: Wheel-a-brated.

**DH0007**

**DH0007**

**Right Door Bracket**

1) Finish: Ball-burnished.

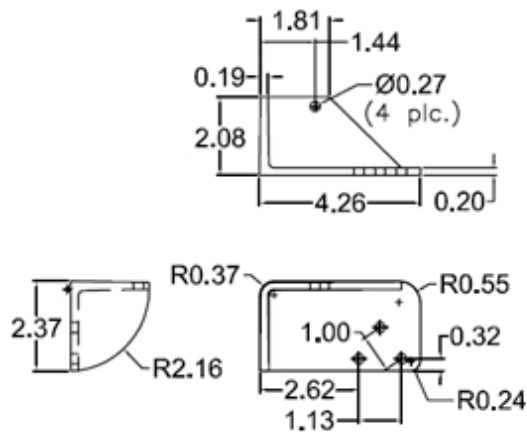


**DH0008**

**DH0008**

**Left Door Bracket**

1) Finish: Ball-burnished.



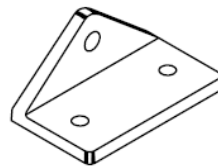
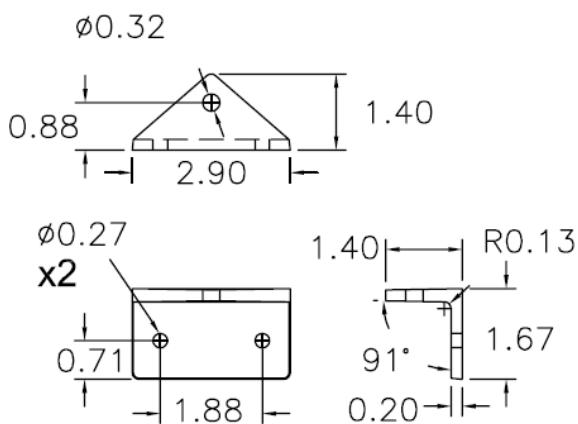
1

**DH0011**

**DH0011**

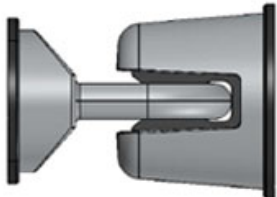
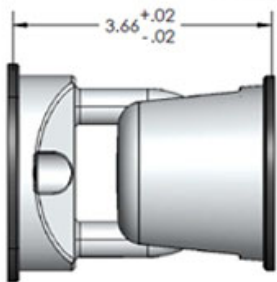
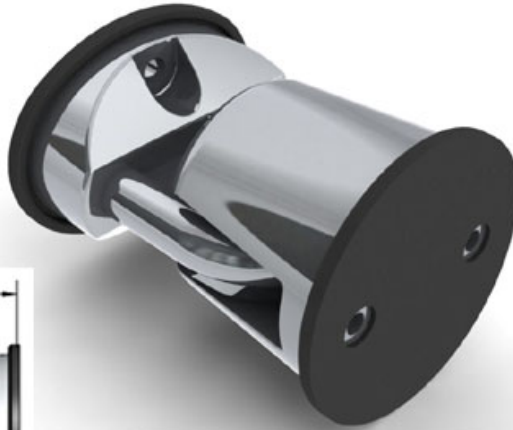
**Door Bracket**

1) Finish: Ball-burnished.



## DH0016 and -A

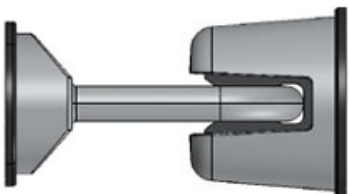
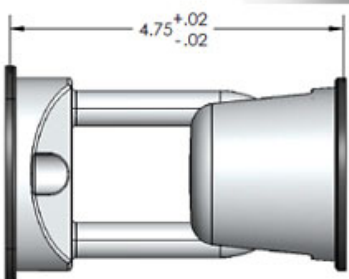
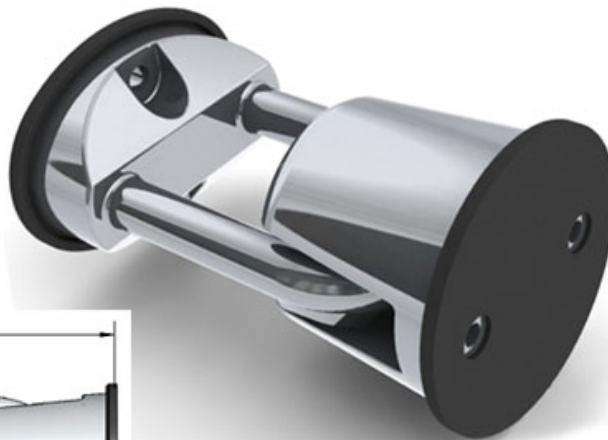
### DH0016 and -A Door "Grabber" Assembly (3.66" Base to Base)



Part #:	Finish:	
DH0016-1CH	Diecast, Chrome-Plated	1) Finish: Polished and Chrome Plated exterior (to CASS 24 specifications).
DH0016-1CH-A	Diecast, Chrome-Plated w/ Rubber Gasket Set	1) Finish: Polished and Chrome Plated exterior (to CASS 24 specifications). 2) Supplied with Rubber Mounting Gaskets (Round and Oval).
DH0016-1-U	AL356, Polished	1) Finish: Polished exterior.
DH0016-1-UA	AL356, Polished w/ Rubber Gasket Set	1) Finish: Polished exterior. 2) Supplied with Rubber Mounting Gaskets (Round and Oval).
DH0016-5	AL356, Ball-Burnished	1) Finish: Ball-Burnished exterior.
DH0016-5-A	AL356, Ball-Burnished w/ Rubber Gasket Set	1) Finish: Ball-Burnished exterior. 2) Supplied with Rubber Mounting Gaskets (Round and Oval).

## DH0017 and -A

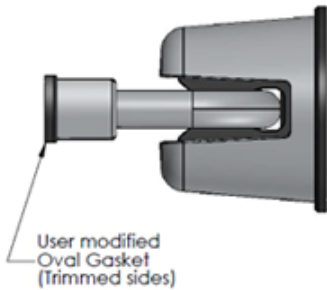
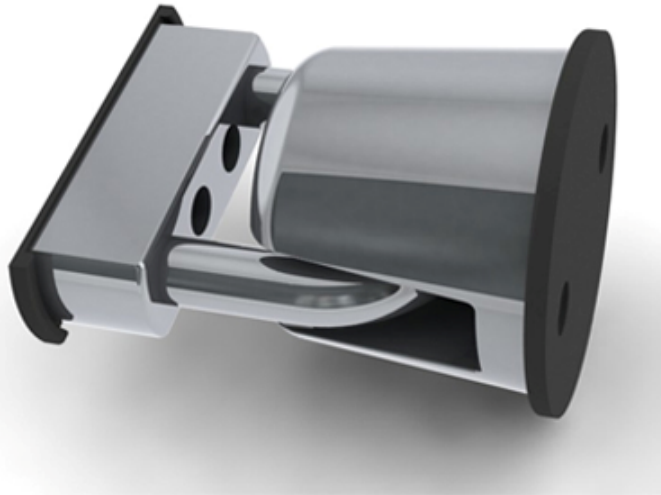
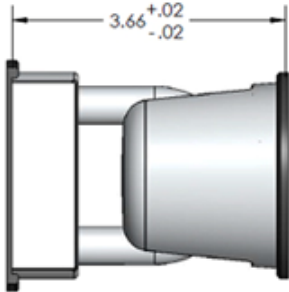
### DH0017 and -A Door "Grabber" Assembly (4.75" Base to Base)



Part #:	Finish:	
DH0017-1CH	Diecast, Chrome-Plated	1) Finish: Polished and Chrome Plated exterior (to CASS 24 specifications).
DH0017-1CH-A	Diecast, Chrome-Plated, w/ Rubber Gasket Set	1) Finish: Polished and Chrome Plated exterior (to CASS 24 specifications). 2) Supplied with Rubber Mounting Gaskets (Round and Oval).
DH0017-1-U	AL356, Polished	1) Finish: Polished exterior.
DH0017-1-UA	AL356, Polished, w/ Rubber Gasket Set	1) Finish: Polished exterior. 2) Supplied with Rubber Mounting Gaskets (Round and Oval).
DH0017-5	AL356, Ball-Burnished	1) Finish: Ball-Burnished exterior.
DH0017-5-A	AL356, Ball-Burnished w/ Rubber Gasket Set	1) Finish: Ball-Burnished exterior. 2) Supplied with Rubber Mounting Gaskets (Round and Oval).

## DH0018 and -A

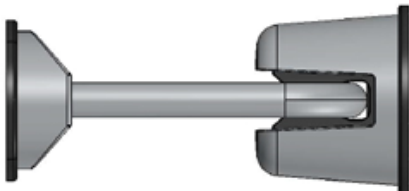
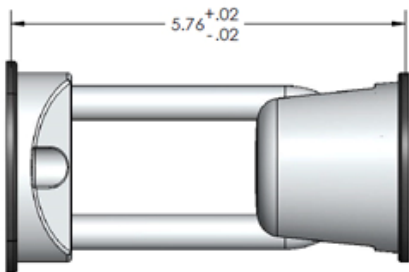
### DH0018 and -A Door "Grabber" Assembly w/ Narrow Base (3.66" Base to Base)



Part #:	Finish:	
DH0018-1	AL356, Polished	1) Finish: Polished exterior.
DH0018-1-A	AL356, Polished w/ Rubber Gasket Set	1) Finish: Polished exterior. 2) Supplied with Rubber Mounting Gaskets (Round and Oval - trimmed to fit by user).

## DH0019 and -A

### DH0019 and -A Door "Grabber" Assembly (5.76" Base to Base)

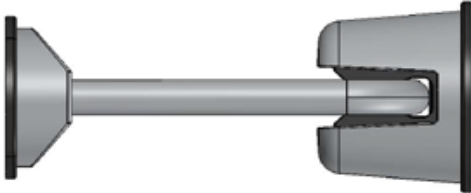
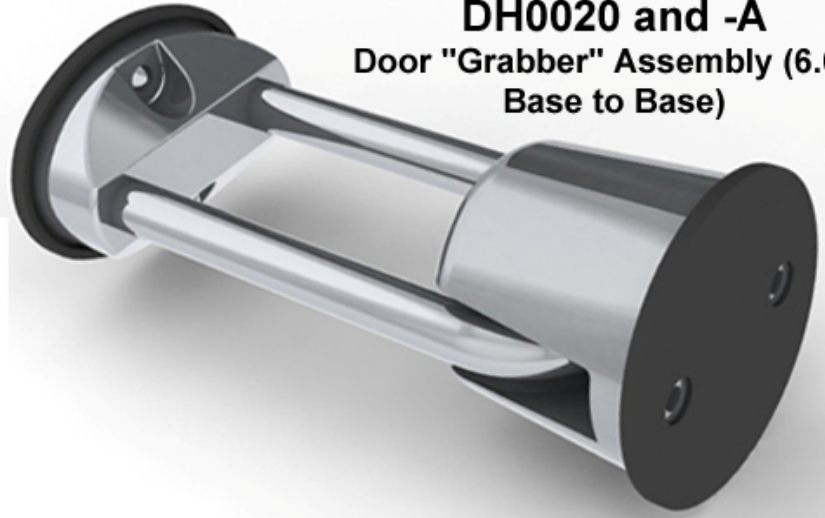
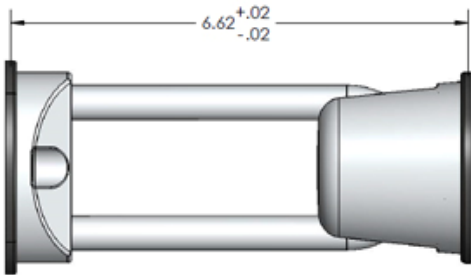


Part #:	Finish:	
DH0019-1	AL356, Polished	1) Finish: Polished exterior.
DH0019-1-A	AL356, Polished w/ Rubber Gasket Set	1) Finish: Polished exterior. 2) Supplied with Rubber Mounting Gaskets (Round and Oval).



## DH0020 and -A

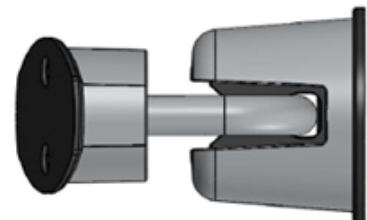
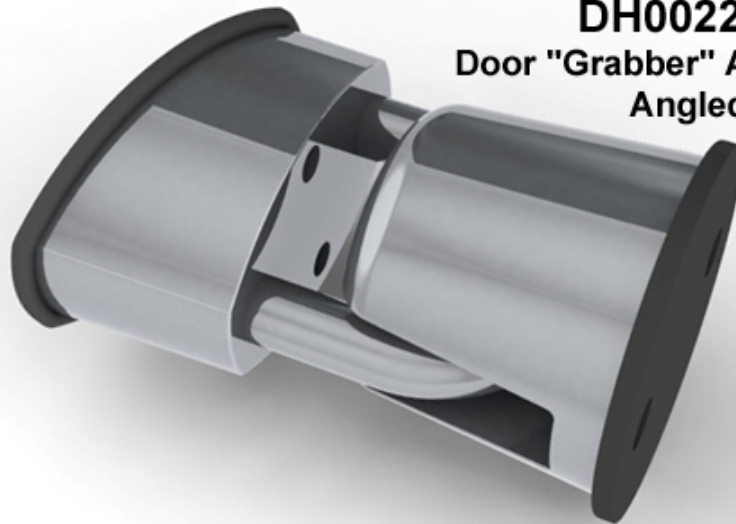
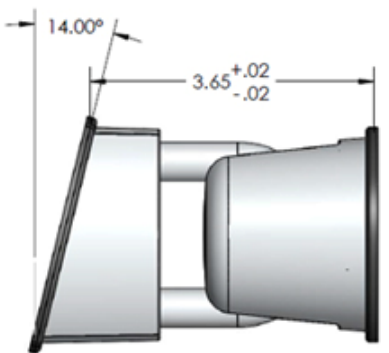
### DH0020 and -A Door "Grabber" Assembly (6.62" Base to Base)



Part #:	Finish:	
DH0020-1	AL356, Polished	1) Finish: Polished exterior.
DH0020-1-A	AL356, Polished w/ Rubber Gasket Set	1) Finish: Polished exterior. 2) Supplied with Rubber Mounting Gaskets (Round and Oval).

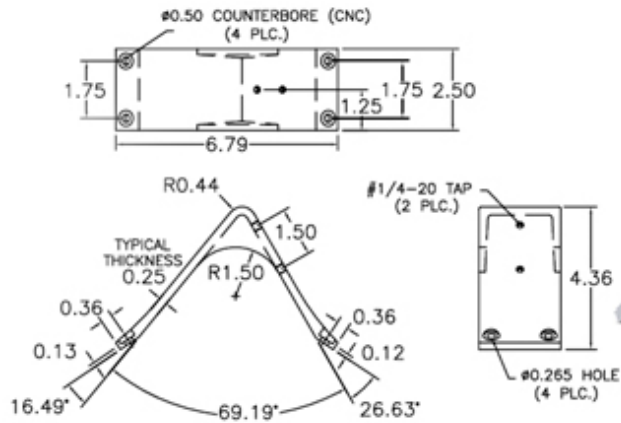
## DH0022 and -A

### DH0022 and -A Door "Grabber" Assembly w/ 14d. Angled Base



Part #:	Finish:	
DH0022-1	AL356, Polished	1) Finish: Polished exterior.
DH0022-1-A	AL356, Polished w/ Rubber Gasket Set	1) Finish: Polished exterior. 2) Supplied with Rubber Mounting Gaskets (Round and Oval).

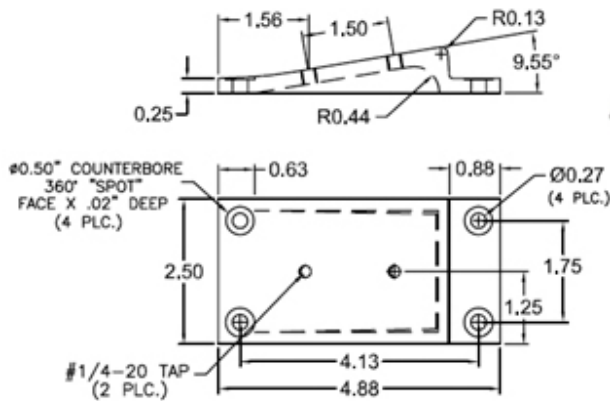
## DH0024



## DH0024 Door Stop Wedge Bracket

1) Finish: Polished

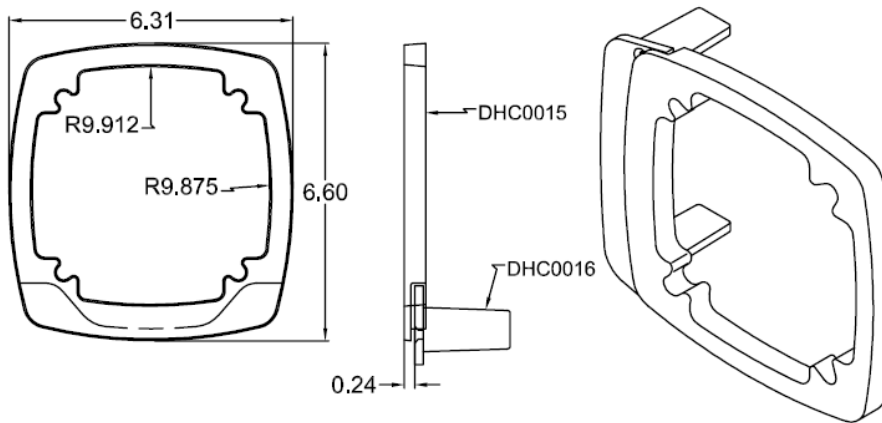
## DH0025



## DH0025 Door Stop Wedge Bracket

1) Finish: polished.

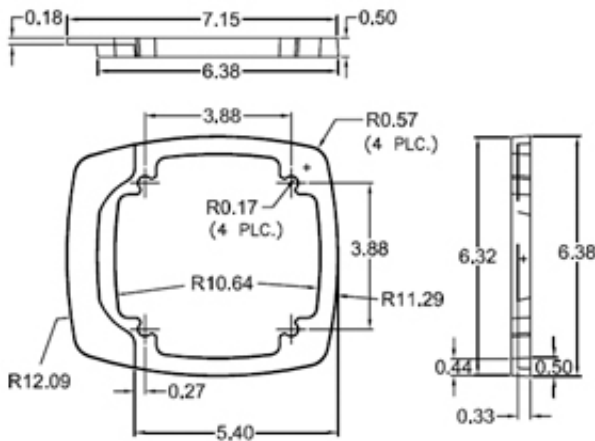
## DH0028



## DH0028 Latch Spacer Trim

- 1) Finish: 120 grit ground or polished.
- 2) Serves as a spacer where D-Ring type latches and handles are used on thin compartment doors.

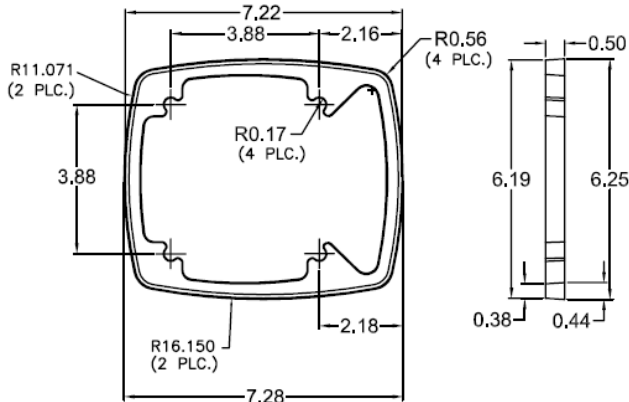
## DH0029



## DH0029 Latch Spacer Trim (Large)

- 1) Finish: 120 grit ground or polished.
- 2) Serves as a spacer where D-Ring type latches and handles are used on thin compartment doors.

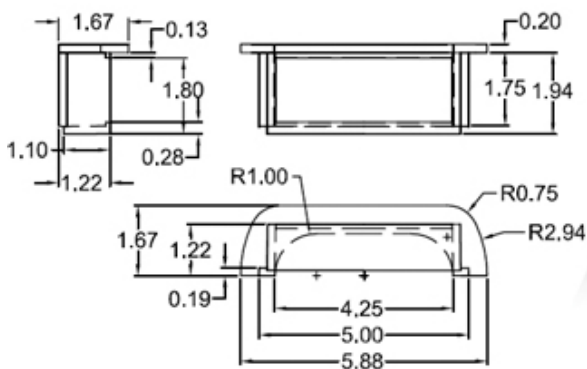
## DH0030



## DH0030 Latch Spacer Trim (Large)

- 1) Finish: 120 grit ground or polished.
- 2) Serves as a spacer where D-Ring type latches and handles are used on thin compartment doors.

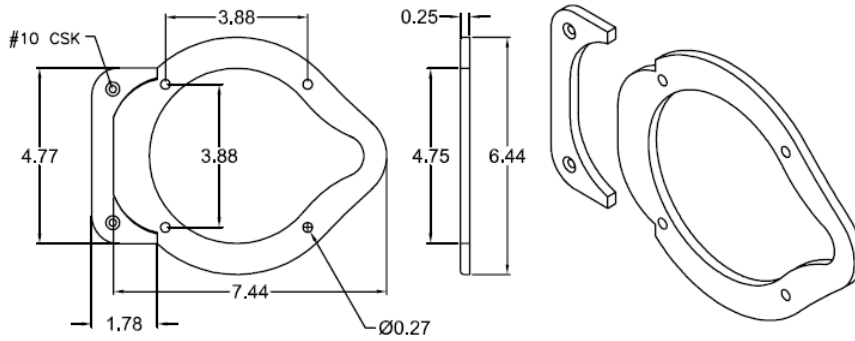
## DH0031



## DH0031 Extrusion Latch Cover

- 1) Finish: Bright Polished.

## DH0032

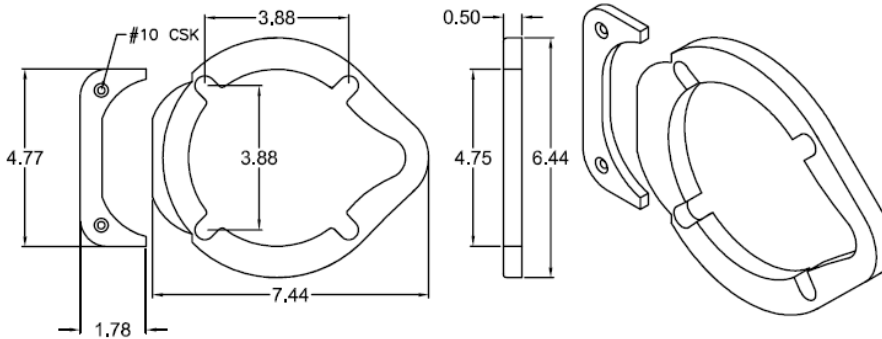


1

## DH0032 D-Ring Spacer (2 Piece set)

- 1) Finish: 120 grit ground or polished.
- 2) Serves as a spacer where D-Ring type latches and handles are used on thin compartment doors.

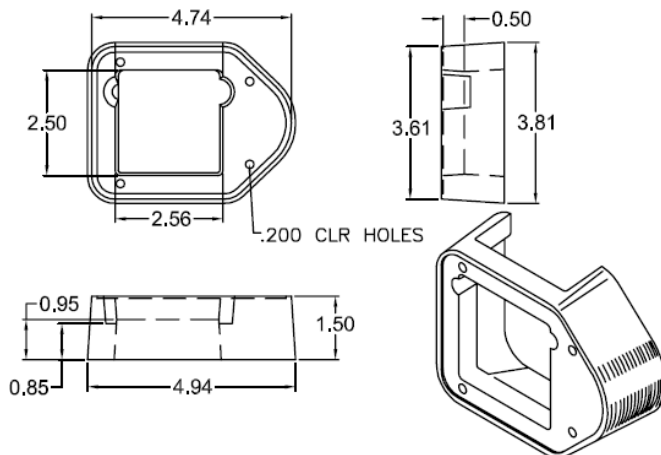
## DH0033



## DH0033 D-Ring Spacer (2 Piece set)

- 1) Finish: 120 grit ground or polished.
- 2) Serves as a spacer where D-Ring type latches and handles are used on thin compartment doors.

## DH0036



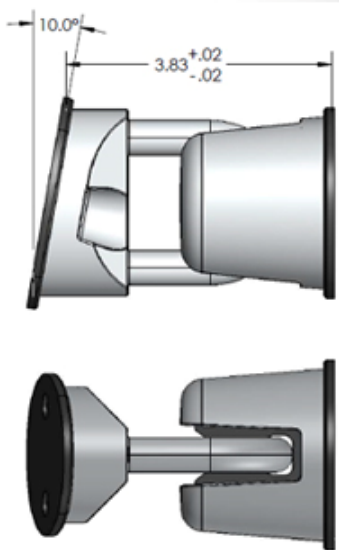
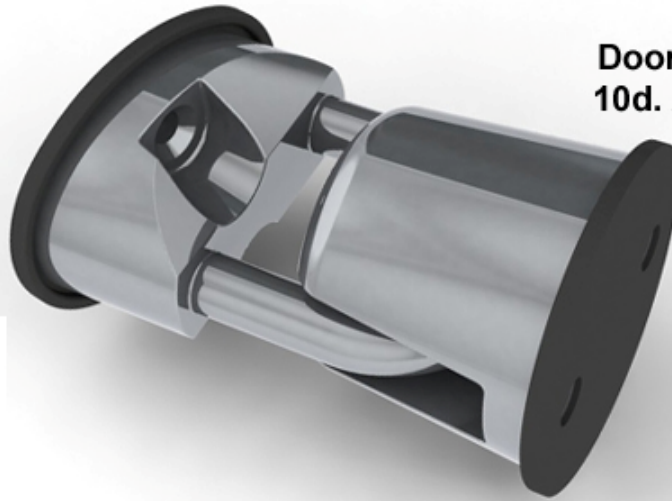
## DH0036 Squad Bench Latch Spacer

- 1) Finish: 120 grit ground or polished.
- 2) Serves as a spacer where D-Ring type latches and handles are used on thin compartment doors.



## DH0041 and -A

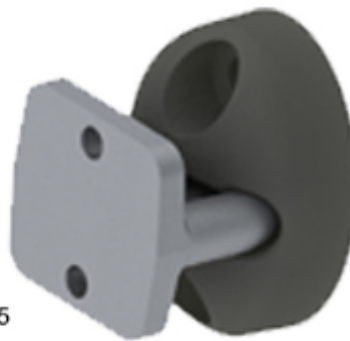
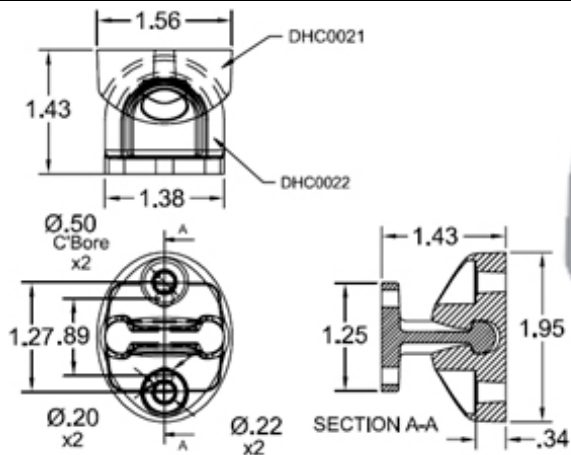
### DH0041 and -A Door "Grabber" Assembly w/ 10d. Angled Base (3.83" Base to Base)



Part #:	Finish:	
DH0041-1	AL356, Polished	1) Finish: Polished exterior.
DH0041-1-A	AL356, Polished w/ Rubber Gasket Set	1) Finish: Polished exterior. 2) Supplied with Rubber Mounting Gaskets (Round and Oval).
DH0041-1CH	Diecast, Chrome-Plated	1) Finish: Polished and Chrome Plated exterior (to CASS 24 specifications).
DH0041-1CH-A	Diecast, Chrome-Plated, w/ Rubber Gasket Set	1) Finish: Polished and Chrome Plated exterior (to CASS 24 specifications). 2) Supplied with Rubber Mounting Gaskets (Round and Oval).

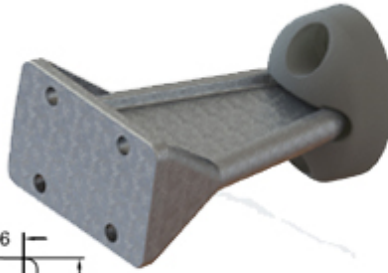
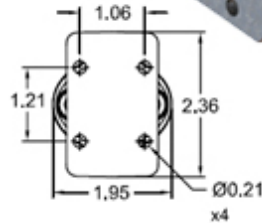
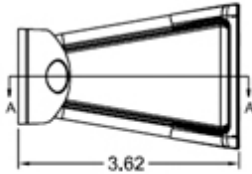
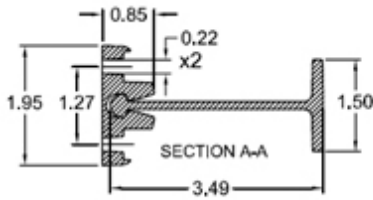
## DH0042

### DH0042 Mini Door Grabber



- 1) Finish: Ball-burnished.
- 2) Material: Male plunger is Aluminum 356. Female socket is solid rubber.

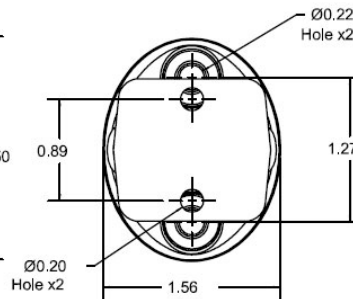
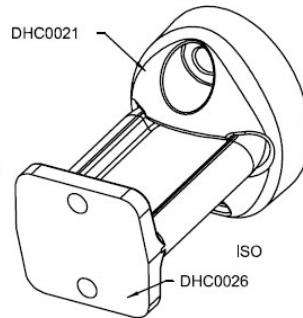
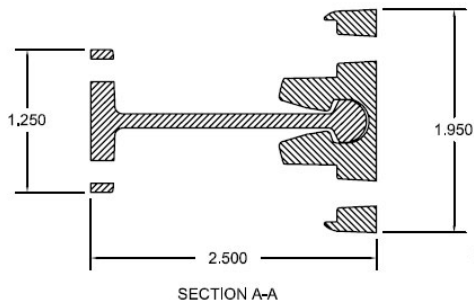
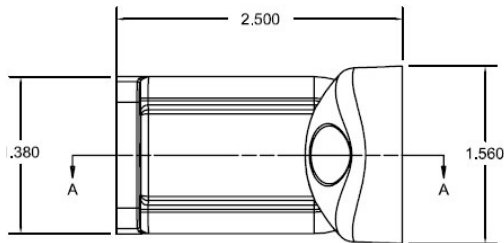
## DH0043



## DH0043 Mini Door Grabber

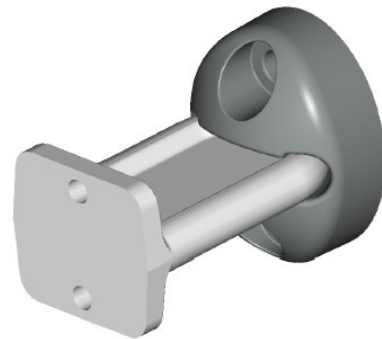
- 1) Finish: Ball-burnished.
- 2) Material: Male plunger is Aluminum 356. Female socket is solid rubber.

## DH0046

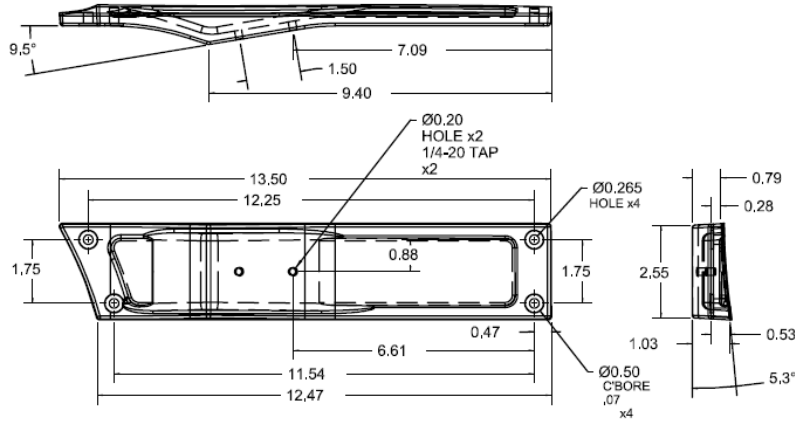


## DH0046 Mini Door Grabber 2.50" BTB

- 1) Finish: Ball-burnished.
- 2) Material: Male plunger is Aluminum 356. Female socket is solid rubber.



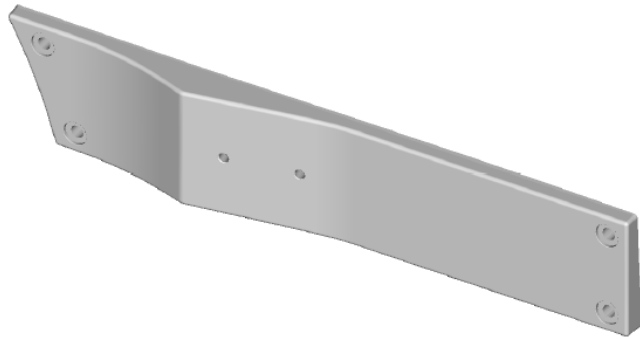
## DH0050



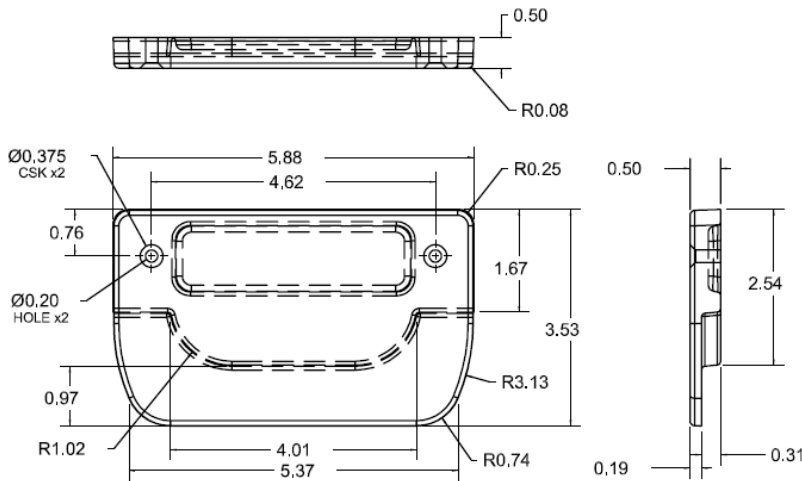
## DH0050

### 9.5d. Door Grabber Wedge Spacer (E350 Side Panel)

1) Finish: polished.



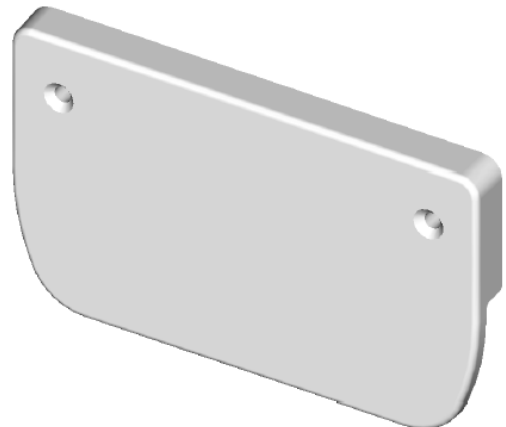
## DH0051



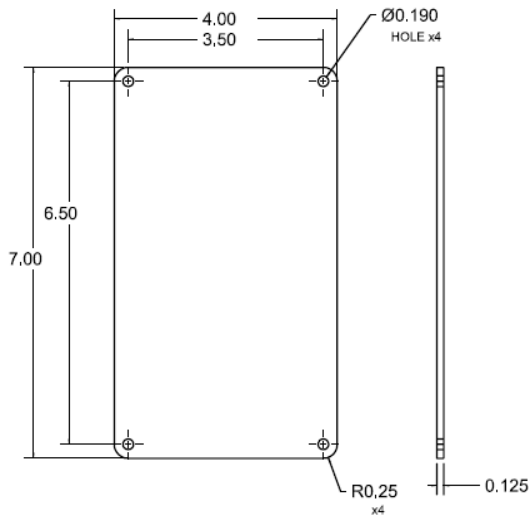
## DH0051

### Door Latch Cover Plate

1) Finish: polished.



## DH0052

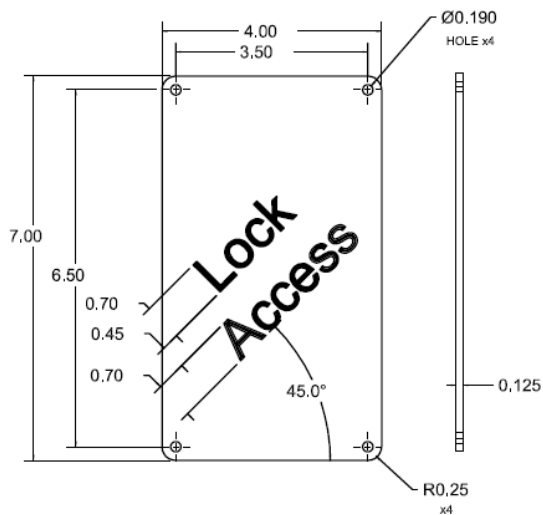


## DH0052

### Plain 4x7 Electric Latch Cover Plate

1) Finish: ball-burnished.

## DH0052-B

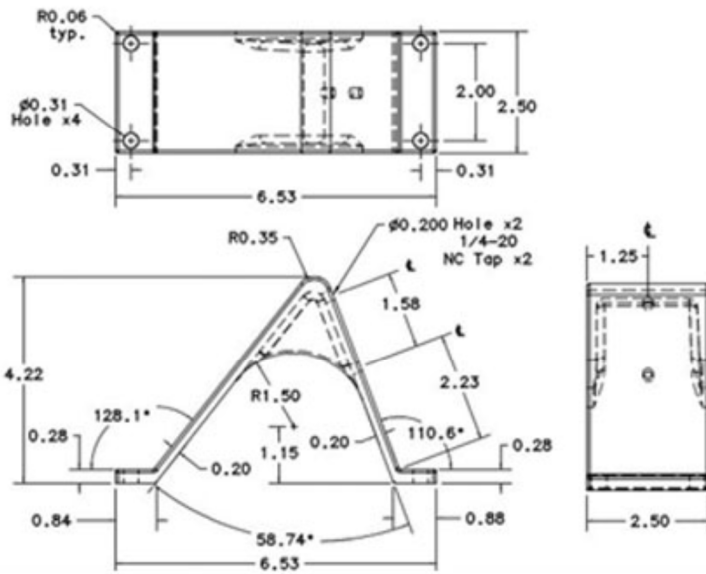


## DH0052-B

### 45d "Lock Access" engraved 4x7 Electric Latch Cover Plate

1) Finish: ball-burnished.

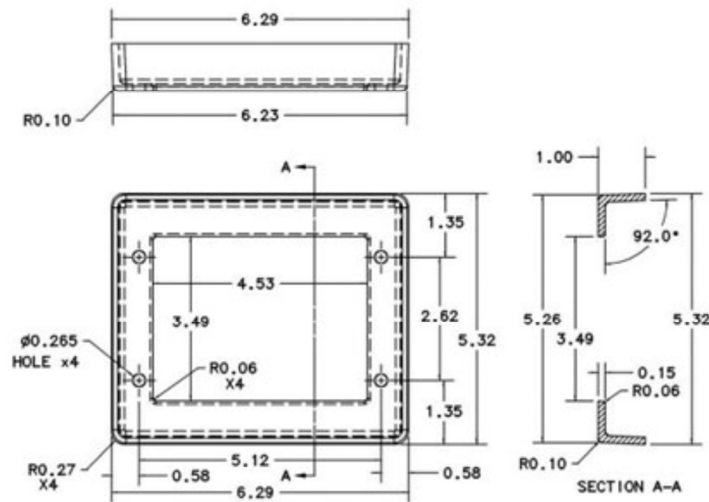
**DH0053**



**DH0053**  
**Door Stop Wedge**  
**Bracket**

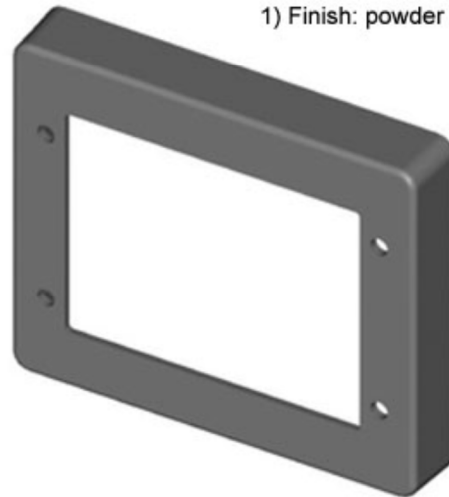
1) Finish: polished.

**DH0054**



**DH0054**  
**Door Spacer**  
**Casting**

1) Finish: powder coated black.





DH0058

**DH0058**  
**Striker Cover Plate**  
**Stamping**

1) Finish: 120 grit ground.

