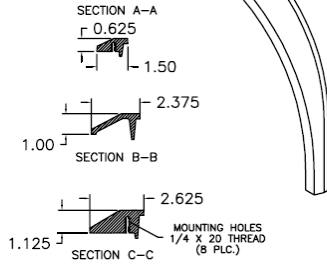
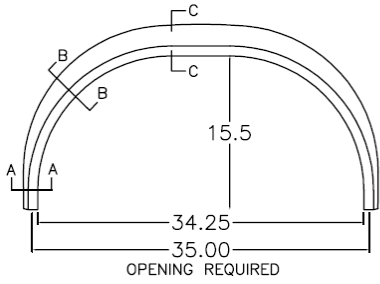


Fenderettes

FD1002

FD1002

Fenderette

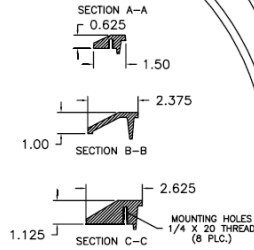
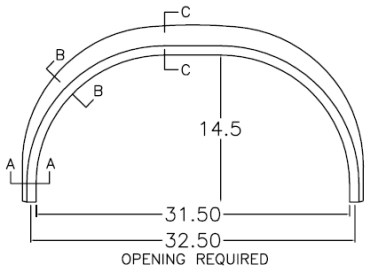


1) Finish: all exterior surfaces are polished with concealed mounting hardware.

FD1004

FD1004

Fenderette

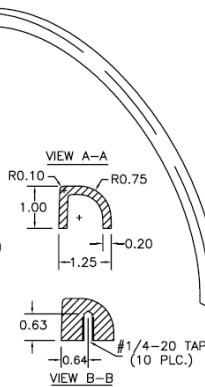
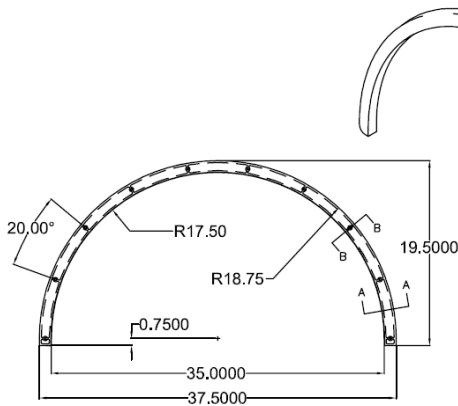


1) Finish: all exterior surfaces are polished with concealed mounting hardware.

FD1005

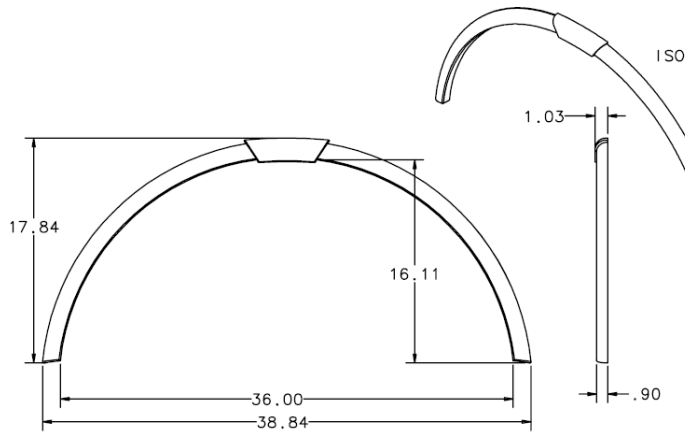
FD1005

**Fenderette
18 3/4" Radius**



1) Finish: all exterior surfaces are polished with concealed mounting hardware.

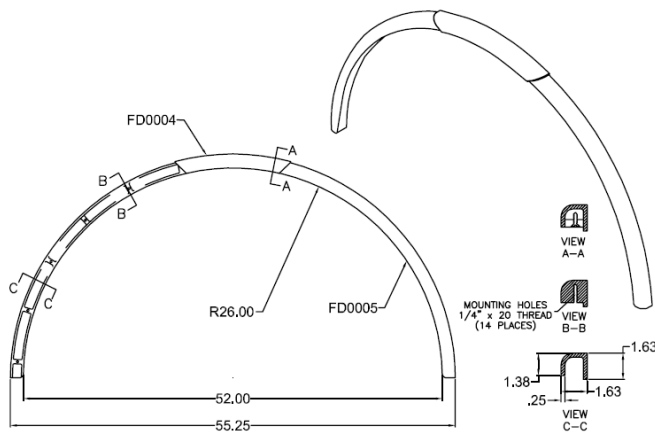
FD1006



FD1006 3 Piece Fenderette 16 1/8" Radius

- 1) Finish: all exterior surfaces are polished with concealed mounting hardware.
- 2) Halves are joined together at the crest section with 1/4x20 flat-head screws and retaining tabs (furnished).
- 3) Units are shipped unassembled.

FD1007



FD1007 3 Piece Fenderette 26" Radius

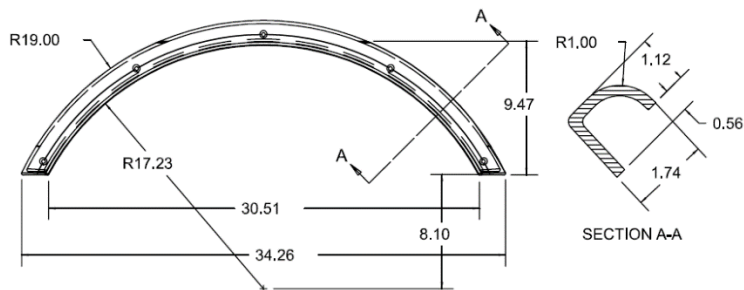
- 1) Finish: all exterior surfaces are polished with concealed mounting hardware.
- 2) Halves are joined together at the crest section with 1/4x20 flat-head screws and retaining tabs (furnished).
- 3) Units are shipped unassembled.

FD1008



**FD1008
Fenderette
17 1/4" Radius**

- 1) Finish: ball-burnished.
- 2) Rear notch for 1/4" thick side wall rub rail.

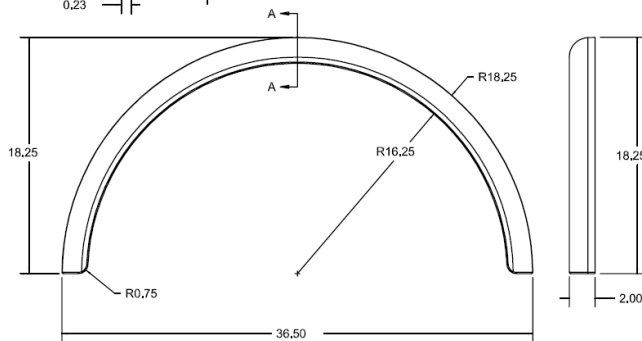
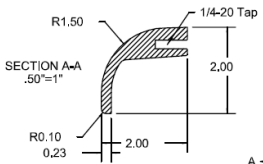


FD1009

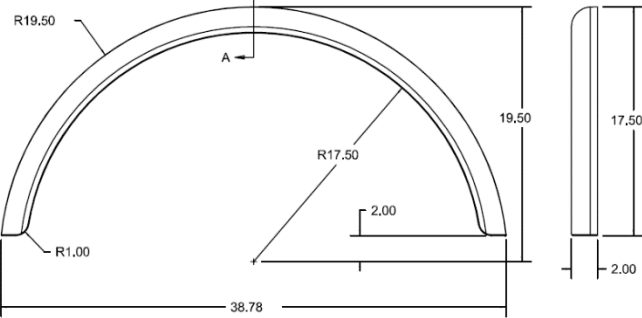
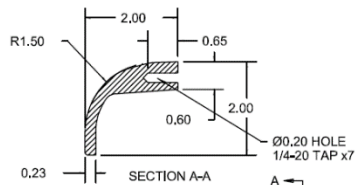


**FD1009
Fenderette
16 1/4" Radius**

- 1) Finish: all exterior surfaces are polished with concealed mounting hardware.



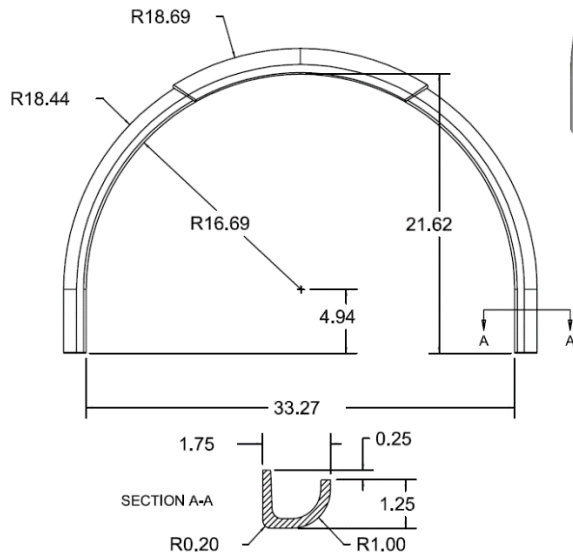
FD1010



FD1010 Fenderette 17 1/2" Radius

- 1) Finish: all exterior surfaces are polished.
- 2) Concealed mounting.

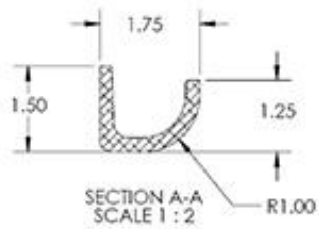
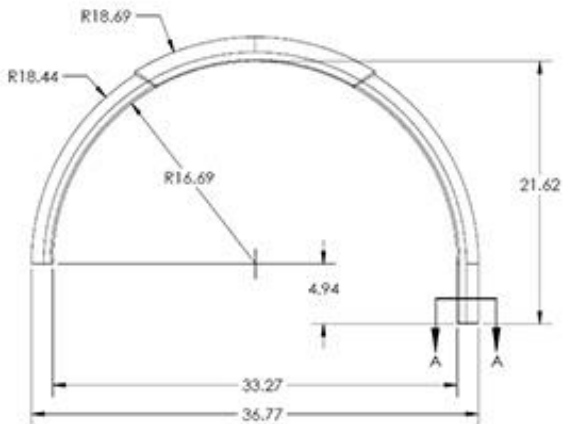
FD1011



FD1011 3 pc. Fenderette 16 5/8" Radius

- 1) Finish: all exterior surfaces are polished.
- 2) Concealed mounting.

FD1012 and FD1013



FD1012 - Passenger Side
FD1013 - Driver Side
3 Piece Fenderette (cast aluminum)
16 5/8" Radius

- 1.) Finish: all exterior surfaces are polished.
- 2.) Concealed Mounting
- 3.) 3 piece fenderette with 4.94" drop
- 4.) Material: Cast Aluminum