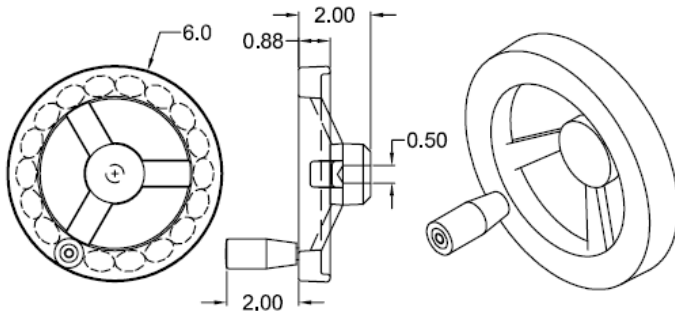


Handles

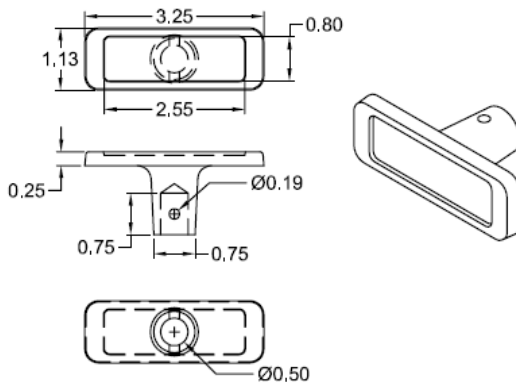
HD0002



HD0002 6" Wheel Handle with Swivel Handle

- 1) Finish: Polished with bead-blasted interior.
- 2) Customer specify rod diameter hole (supplied standard with .50" hole).
- 3) Customer specify with #1/4-20 or #5/16" set screw.

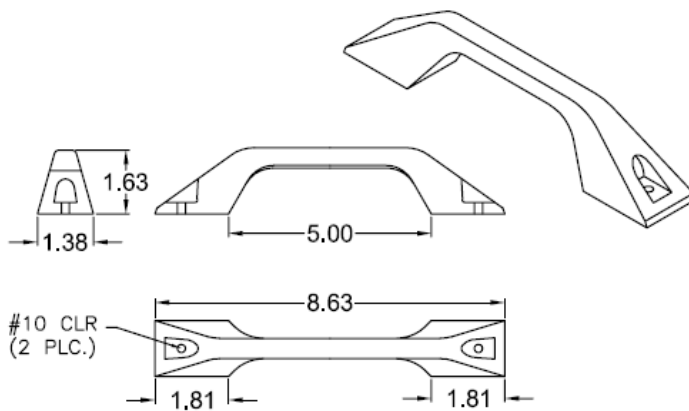
HD0005



HD0005 Drain "T" Handle w/ Tag Recess

- 1) Finish: Polished

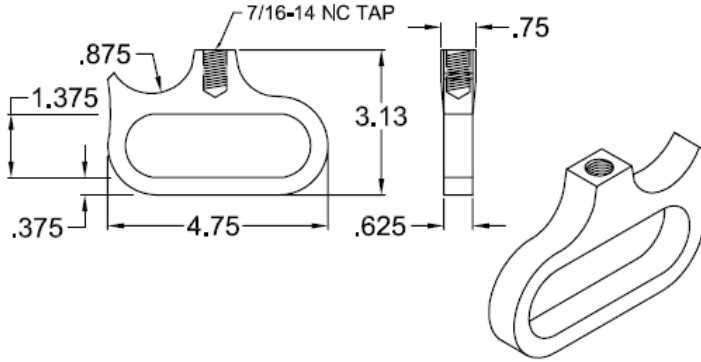
HD0007



HD0007 Grab Handle

- 1) Finish: Polished or wheel-a-brated.

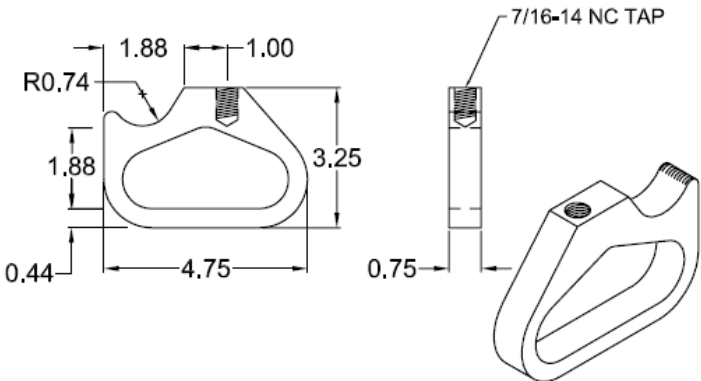
HD0008



HD0008
Ladder Bracket
Handle

1) Finish: Polished

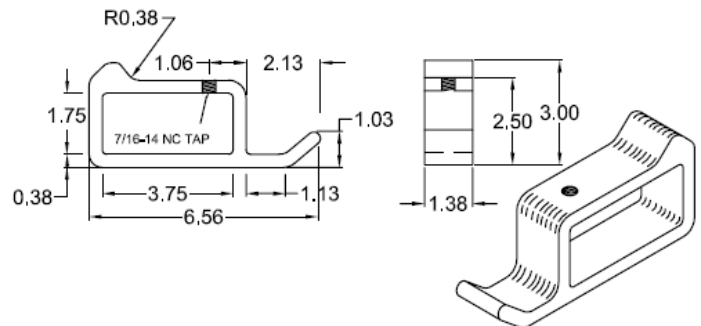
HD0009



HD0009
Ladder Bracket
Handle

1) Finish: Polished

HD0010

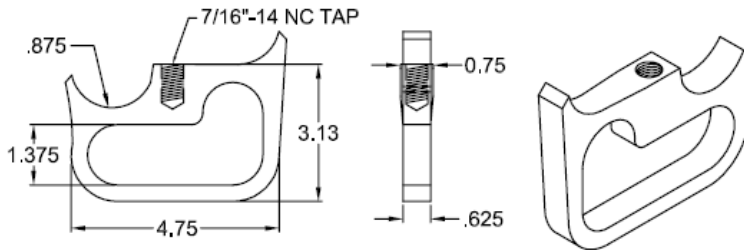


HD0010
Ladder Bracket
Handle

1) Finish: Polished

HD0011

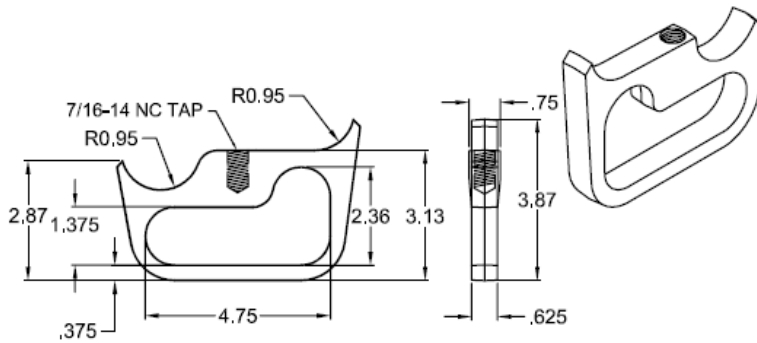
**HD0011
Ladder Bracket
Handle (2 Step)**



1) Finish: Polished

HD0012

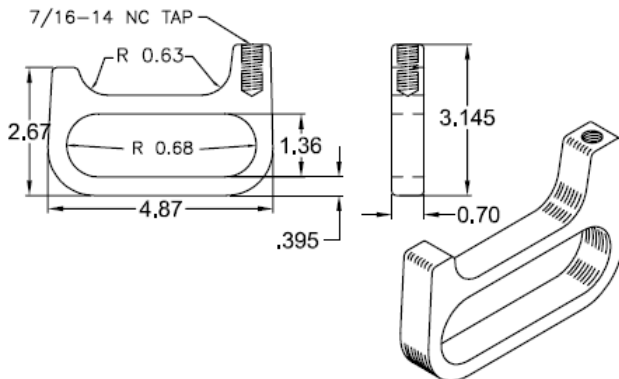
**HD0012
Ladder Bracket
Handle (2 Step)**



1) Finish: Polished.

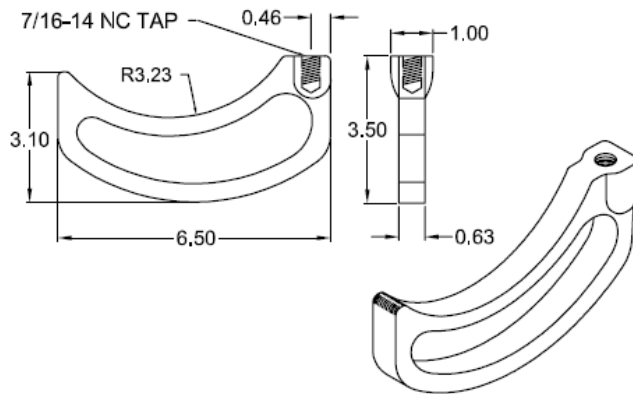
HD0013

**HD0013
Ladder Lock Handle**



1) Finish: Polished.

HD0014

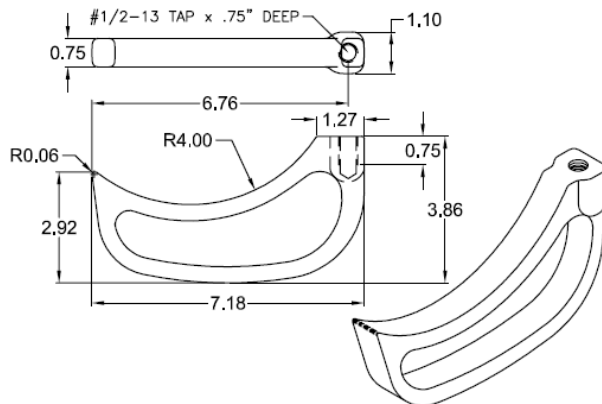


HD0014

Hose Trough Handle

1) Finish: Polished.

HD0015

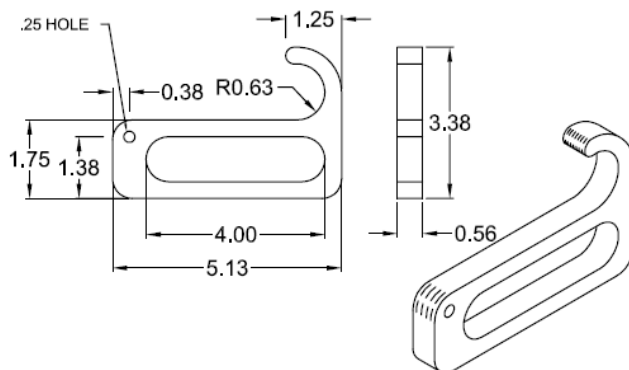


HD0015

Hose Trough Handle

1) Finish: Polished.

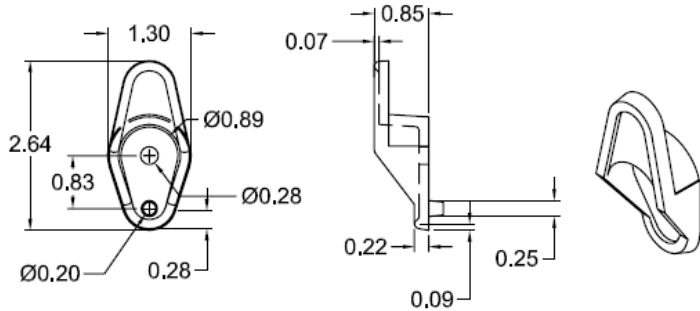
HD0016



HD0016
**Suction Hose Hold
Down Handle**

1) Finish: Polished.

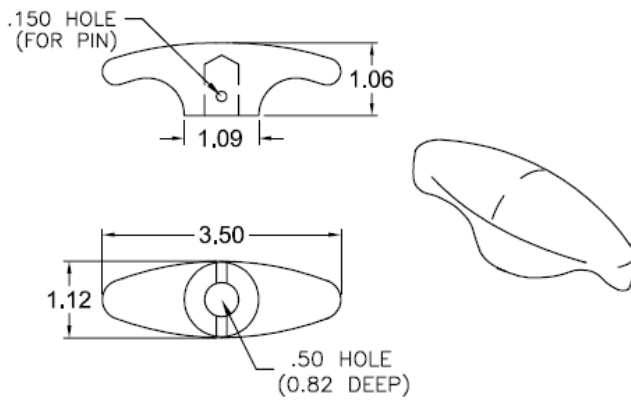
HD0019



HD0019
Tarp Tie-down Bracket

1) Finish: Ball-burnished.

HD0020

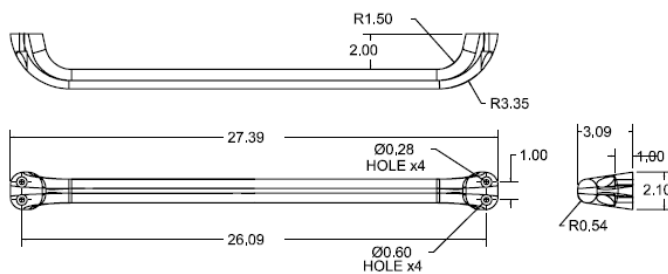


HD0020

"T" Handle

1) Finish: Ball-burnished.

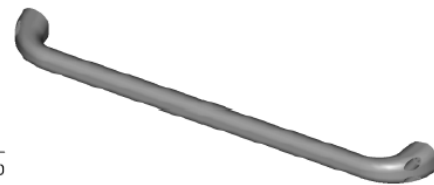
HD0022



HD0022

**Grab Handle -
26.00" CTC**

1) Finish: Painted Black

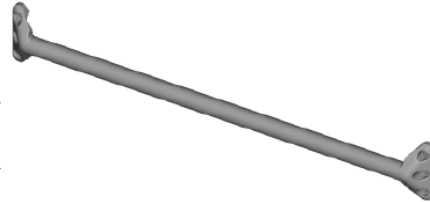
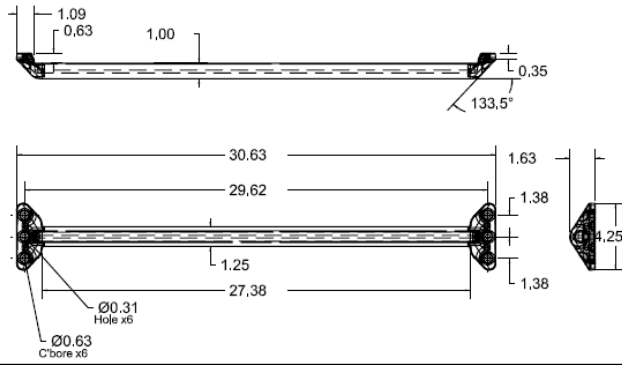


HD0027

HD0027

**Grab Handle -
29.62" CTC**

1) Finish: Painted Black

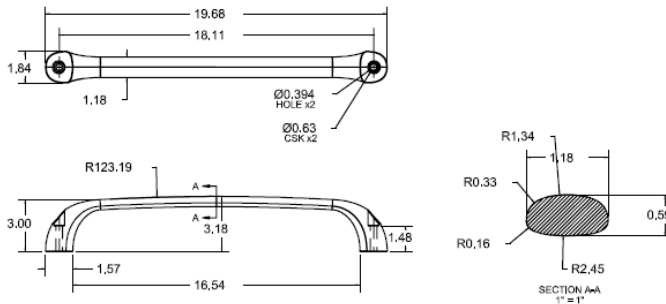


HD0028

HD0028

**Grab Handle -
18.11" CTC**

1) Finish: Painted Black

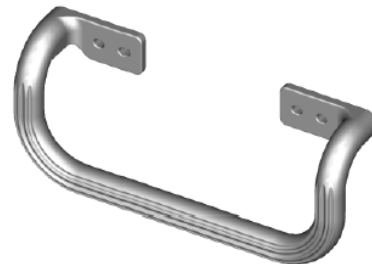
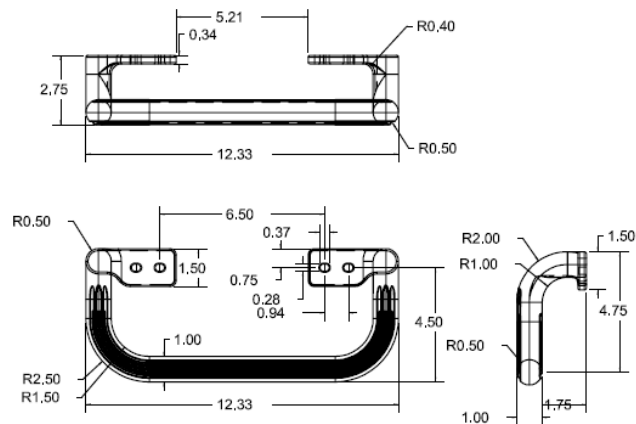


HD0029

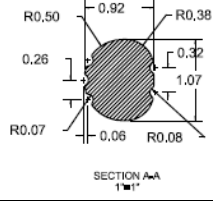
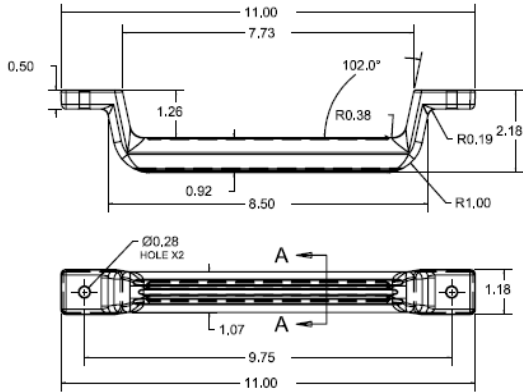
HD0029

**Small "D" Grab
Handle**

1) Finish: Painted Black



HD0030

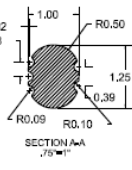
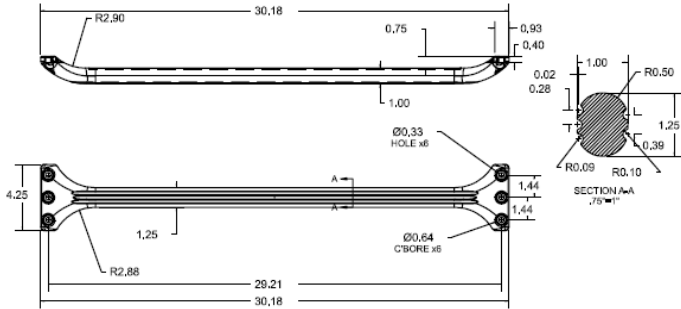


HD0030
Short Grab Handle
9.75" CTC

1) Finish: Painted Black



HD0031

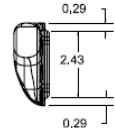
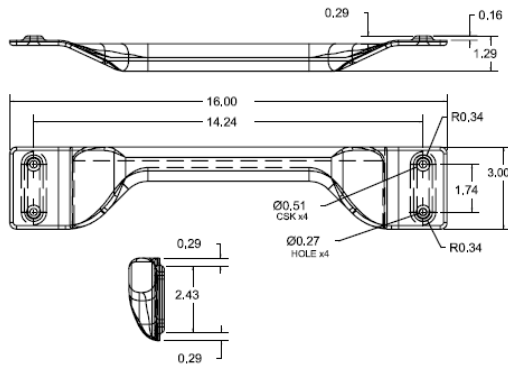


HD0031
Grab Handle -
29.21" CTC

1) Finish: Painted Black

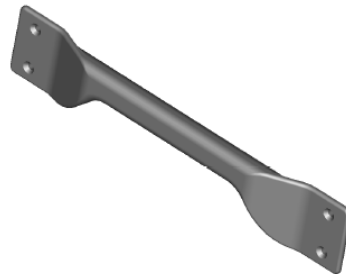


HD0035



HD0035
Door Pull
Handle

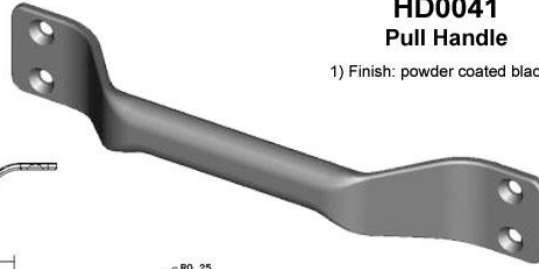
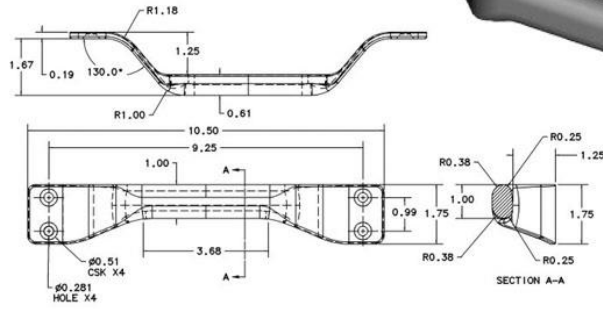
1) Finish: Painted Black



HD0041

HD0041
Pull Handle

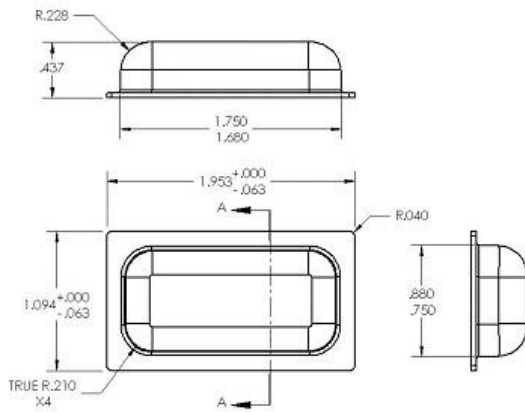
1) Finish: powder coated black.



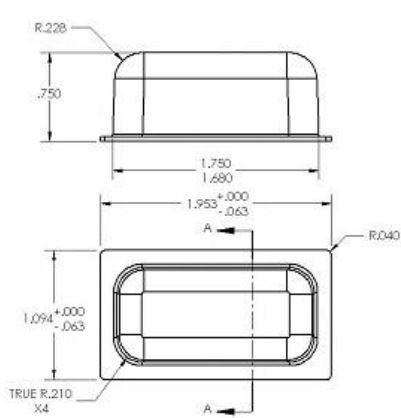
HD0045

HD0045
1.95" X 1.09" x .437" deep, Strike
Plate Pocket (ABS Plastic)

1) Plastic Injection Molded



HD0046



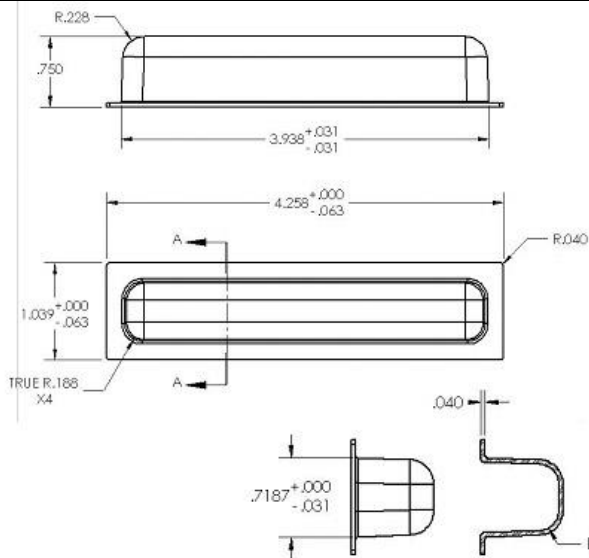
HD0046

1.95" X 1.09" x .75" deep, Strike Plate Pocket (ABS Plastic)

1) Plastic Injection Molded



HD0047



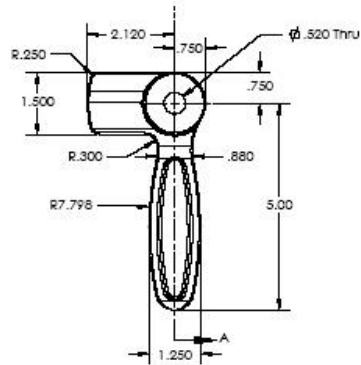
HD0047

4.25" X 1.03" x .75" deep, Ramp Door Latch Pocket (ABS Plastic)

1) Plastic Injection Molded



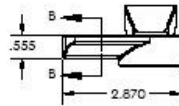
HD0050 HD0051



HD0050 & HD0051 Cam Lock Handles



- 1) Finish: Polished or Ball-burnished.
- 2) HD0050 Lefthand handle show.
HD0051 Righthand handle is opposite.

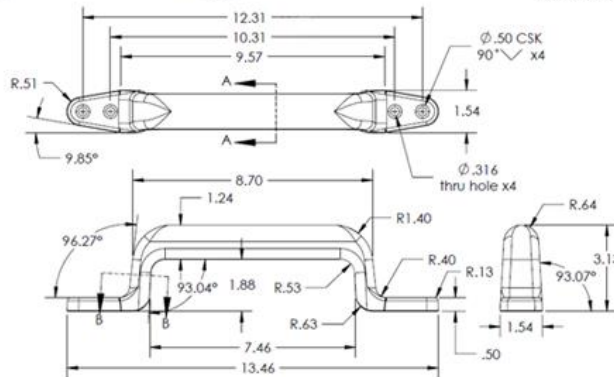


HD0052

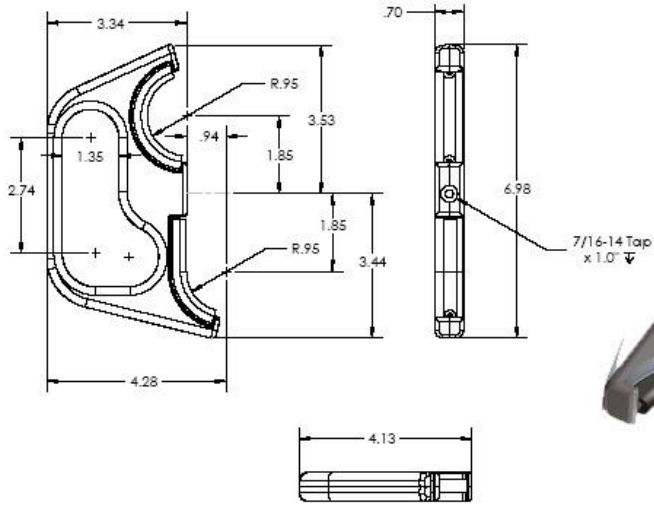


HD0052 Grab Handle Casting

- 1) Finish: powder-coated black crinkle.



HD4001-1

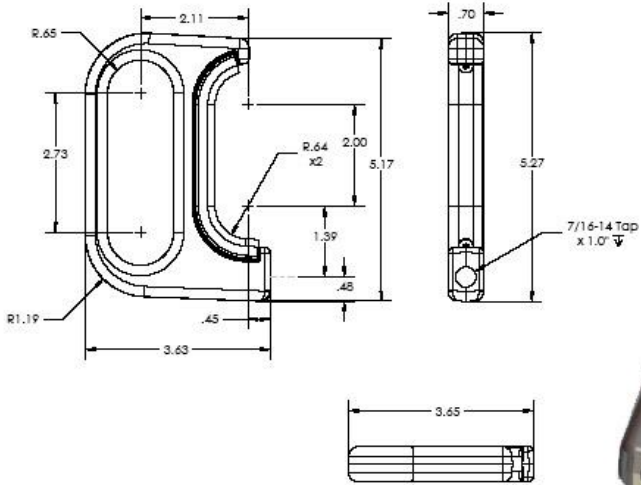


HD4001-1 2 Step Ladder Bracket w/ Rubber Trim-Lock Strips

- 1) Finish: Exterior surfaces are polished
- 2) Use Trim-Lock Padding for ladder rung contact



HD4002-1



HD4002-1 Ladder Bracket Handle for Rubber Trim-Lock Strip

- 1) Finish: Exterior surfaces are polished
- 2) Use Trim-Lock Padding for ladder rung contact

