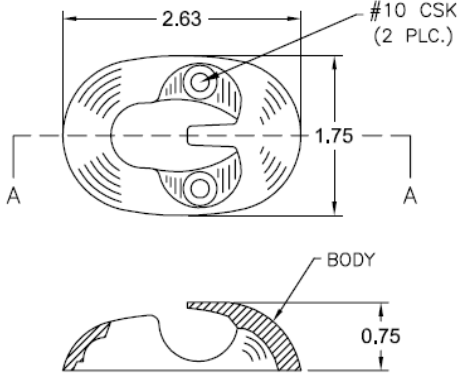
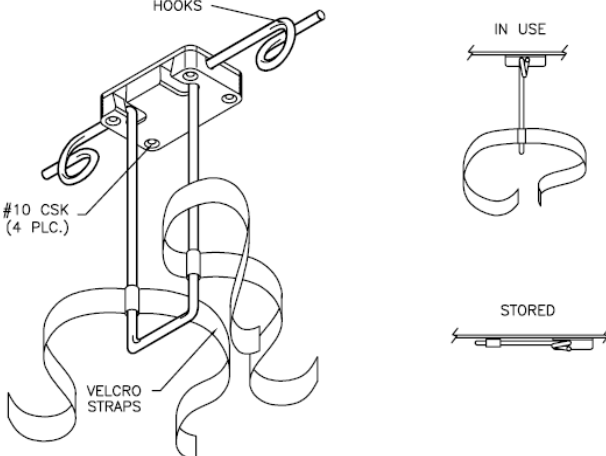
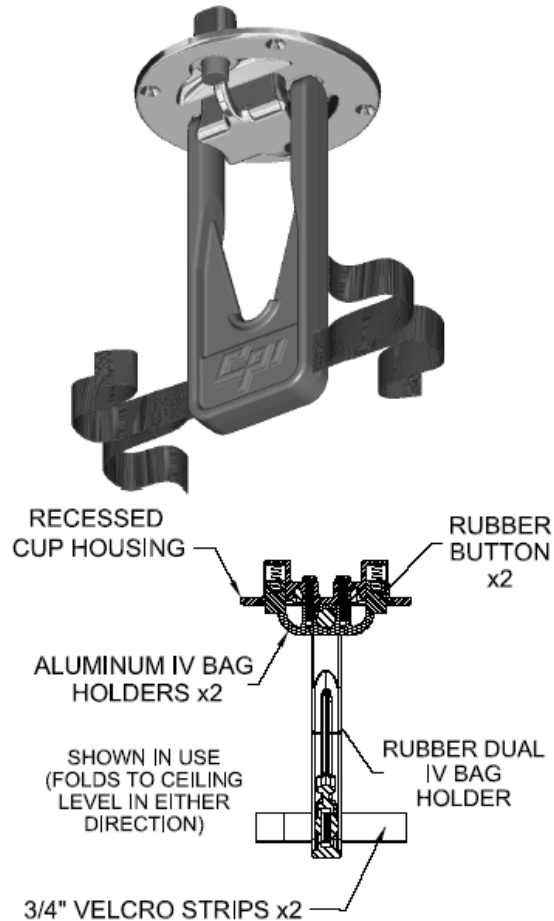
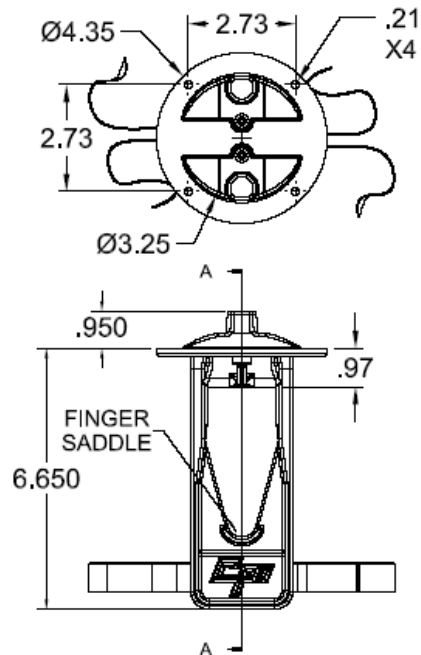


IV Hangers

IV2001	
 <p style="text-align: center;">SECTION A-A</p>	<div style="text-align: center;"> <h2>IV2001</h2> <h3>I.V. Hook</h3> </div> <ol style="list-style-type: none"> 1) Finish: Bright Polished. 2) Low silhouette with smooth, round surfaces to minimize the possibility of head injury. Hang IV Bag with one hand using thumb to actuate button. 3) High strength aluminum alloy 713. Can be ceiling or wall mounted. No clearance holes needed for installation.

IV2002	
	<div style="text-align: center;"> <h2>IV2002</h2> <h3>I.V. Hanger</h3> </div> <ol style="list-style-type: none"> 1) Positive retention in both the stored and in use positions. 2) Material: Body made of cast aluminum. Hooks and stanchion made of 1/4" 6061-T6 Aluminum rod. 3) Designed for use with 500 or 1000 cc IV bags or bottles. 4) Finish: Bright polished.

IV2007



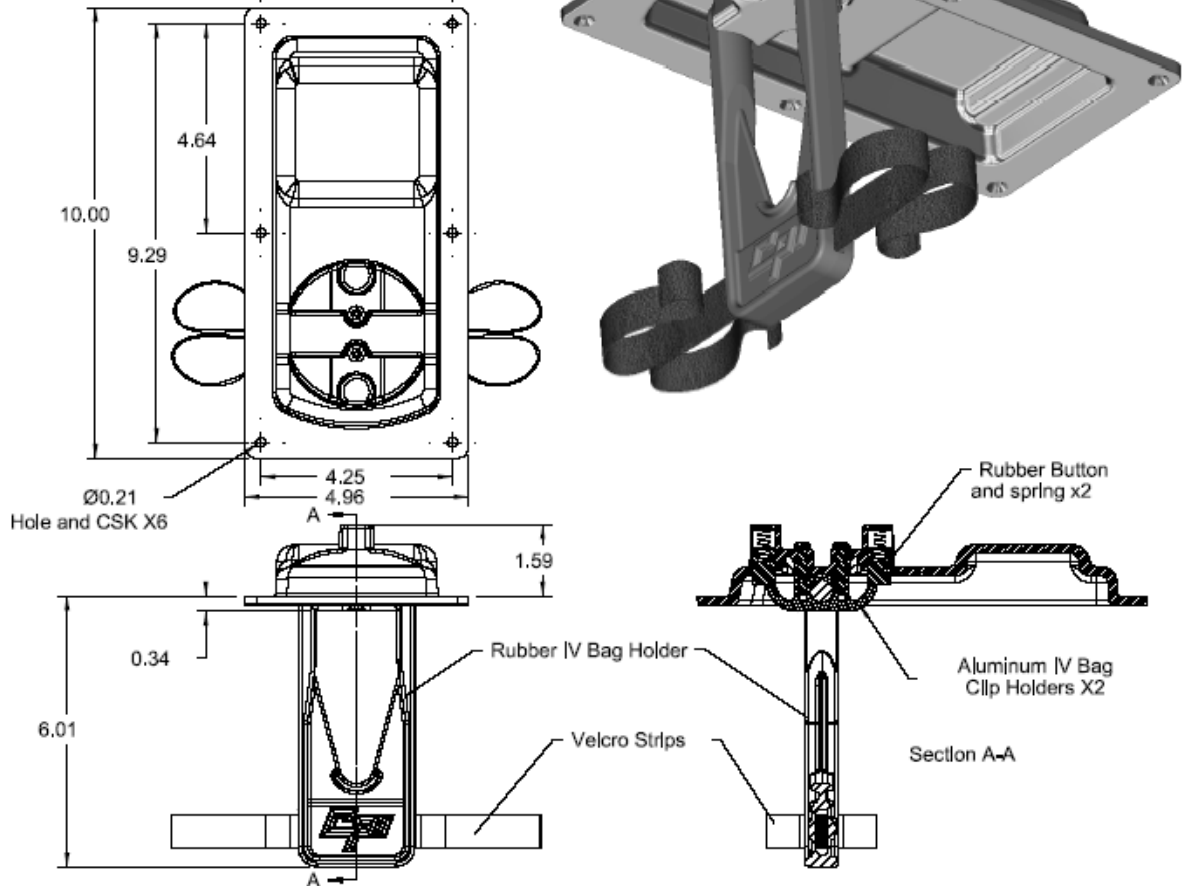
SECTION A-A

IV2007

Dual IV Hanger Assembly w/ Velcro (No Injury - Ceiling Mount)

- 1) Finish: Cup Housing and Aluminum IV Bag Clip Holders are polished. Rubber IV Bag Buttons, Rubber Dual IV Bag Holder and Velcro Strips are natural Black.
- 2) IV Bag Holder can be put away to the ceiling level in either direction.
- 3) IV Hanger assembly does not protrude more than 1", in use, or stored.

IV2008



IV2008

Dual IV Hanger Assembly w/ Velcro (No Injury - Ceiling Mount)

- 1) Finish: Rectangular Housing and Aluminum IV Bag Clip Holders are polished. Rubber IV Bag Buttons, Rubber Dual IV Bag Holder and Velcro Strips are natural Black.
- 2) IV Bag Holder can be put away into the recessed area of the casting.
- 3) IV Hanger assembly does not protrude more than 1", in use, or stored.