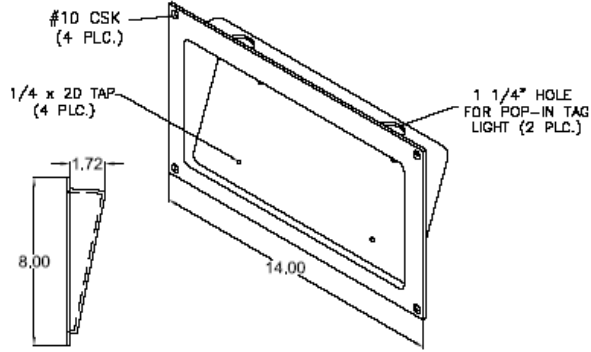


License Plate Holders

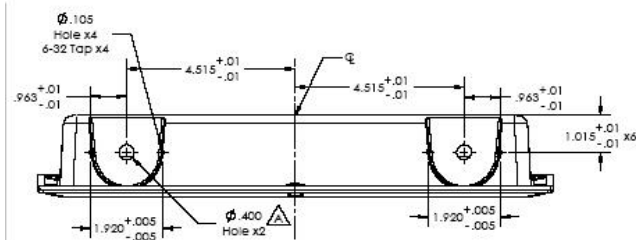
LP0002



LP0002 License Plate Holder

- 1) Finish; Flange is bright polished.
- 2) Designed to compliment light housings #C30012 and C30013.

LP0002-C

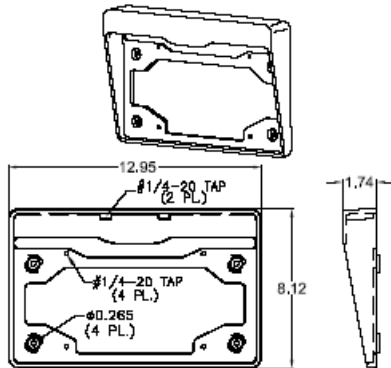


LP0002-C License Plate Holder w/ LED Lights

- 1) Finish: Chromed
- 2) -C drilling option for using 2 LED lights (WL0501 type)



LP0004



LP0004 License Plate Holder

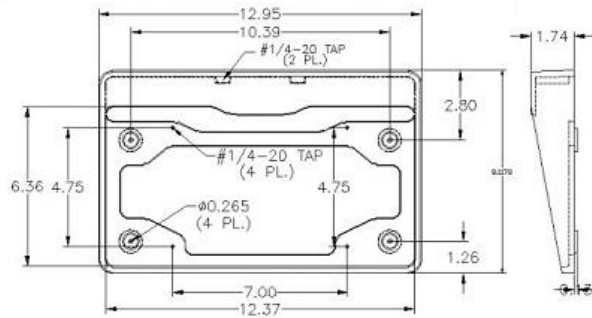
- 1) Finish: Flange is bright polished.
- 2) Uses Truck-Lite Light for Illumination (provided).
- 3) Concealed mounting hardware.

LP0004-B

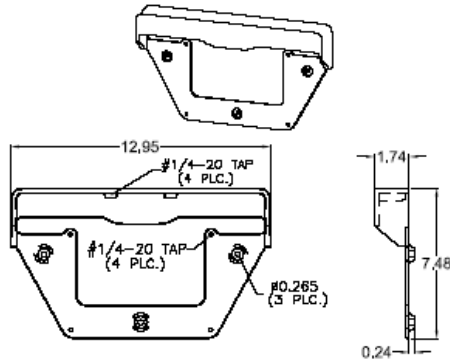


LP0004-B License Plate Holder w/ LED Light

- 1) Finish: Flange is bright polished.
- 2) Supplied w/ LED light (WL0501 type), LC0011 adapter plate for LED, and mounting screws



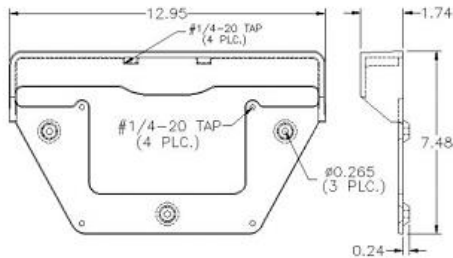
LP0005



LP0005 License Plate Holder

- 1) Finish: Flange is bright polished.
- 2) Uses Truck-Lite Light for illumination (provided).
- 3) Concealed mounting hardware.

LP0005-C

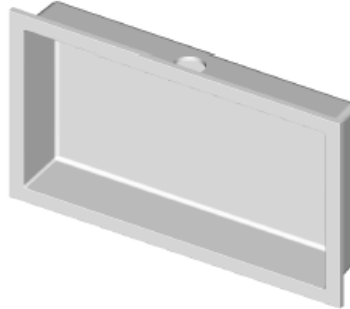
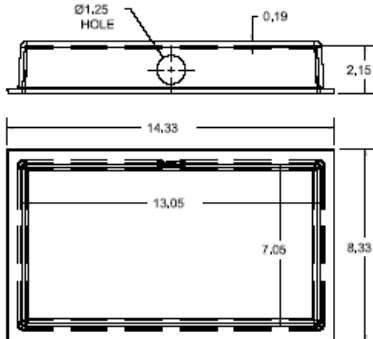


LP0005-C License Plate Holder w/ LED Light

- 1) Finish: Flange is bright polished.
- 2) Supplied w/ LED light (WL0501 type), LC0011 adapter plate for LED, and mounting screws.



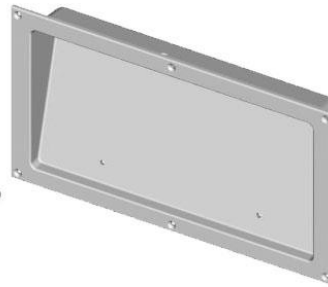
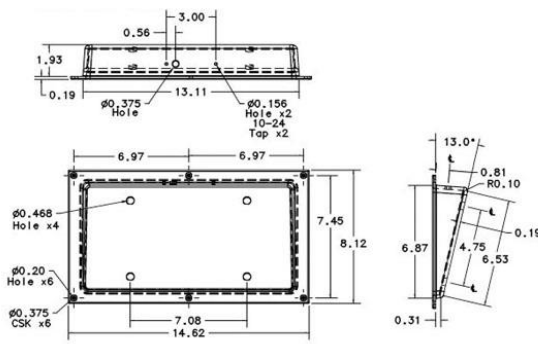
LP0007



LP0007 License Plate Holder

- 1) Finish; ball-burnished.
- 2) Installs by being welded from the backside

LP0009



LP0009 License Plate Holder

- 1) Finish: Polished exterior.

LP0013



LP0013-1
License Plate Hood and Frame
Assembly, with WL0501 type clear
LED Light

- 1) Finish: Ball-burnished w/ top portion polished or ball-burnished.
- 2) Sent with WL0501 type clear LED Light

