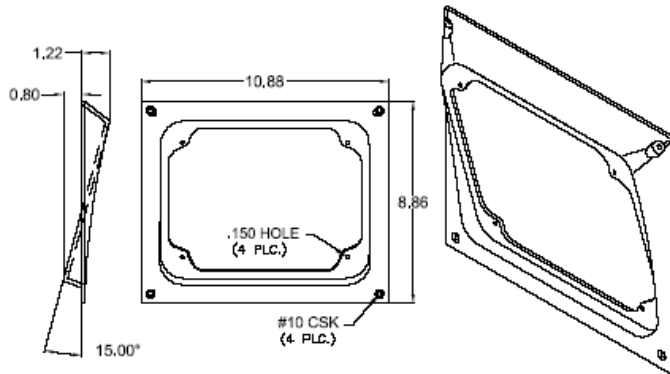


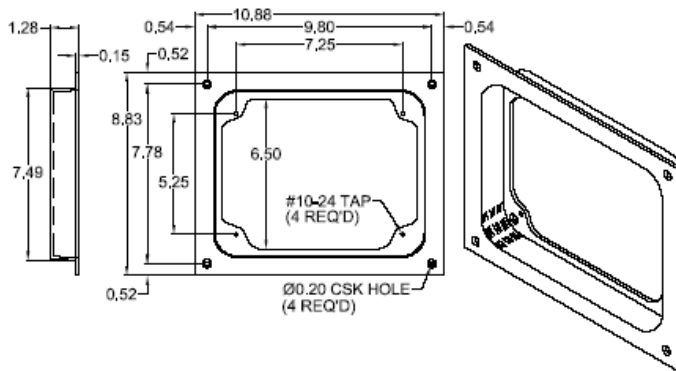
## LH79301



## LH79301 "Half-in" Light Housing (7" x 9" Light)

- 1) Finish: All exterior surfaces are bright polished or 120 grit ground.
- 2) Angle: 15°

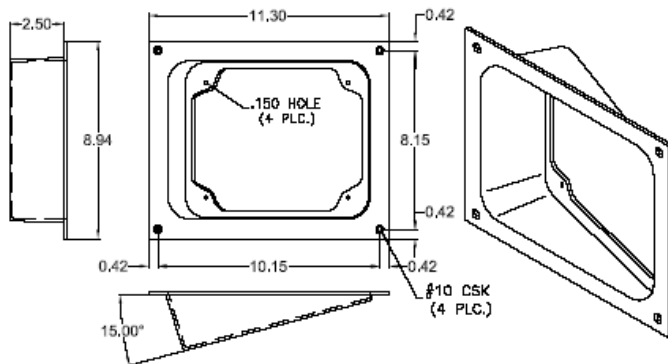
## LH79302



## LH79302 Recessed Light Housing (7" x 9" Light)

- 1) Finish: All exterior surfaces are bright polished or 120 grit ground.
- 2) Angle: 0°
- 3) Available with or without Flange mounting holes (customer please specify).

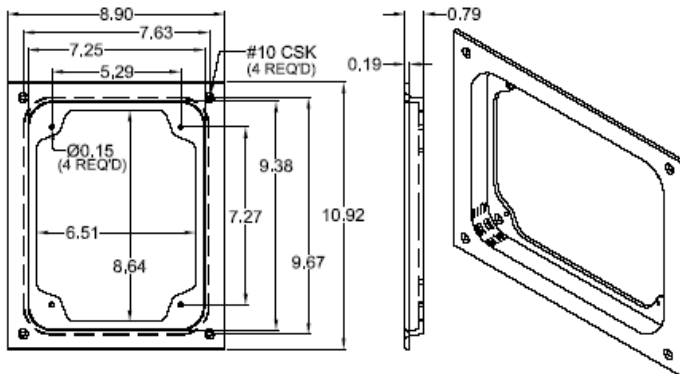
## LH79304



## LH79304 Recessed Light Housing (7" x 9" Light)

- 1) Finish: All exterior surfaces are bright polished or 120 grit ground.
- 2) Angle: 15°
- 3) Available with or without Flange mounting holes (customer please specify).
- 4) Use as an Intersection Light Housing.

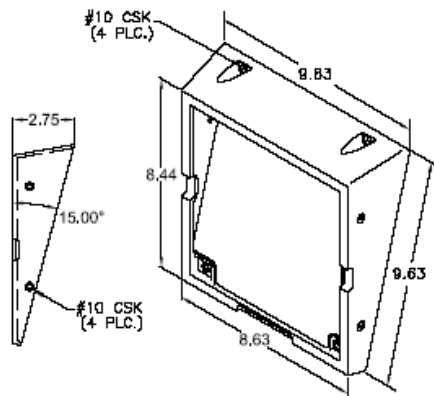
## LH79311



## LH79311 Recessed Light Housing (7" x 9" Light)

- 1) Finish: All exterior surfaces are bright polished.
- 2) Angle: 0°
- 3) Available with or without Flange mounting holes (customer please specify).

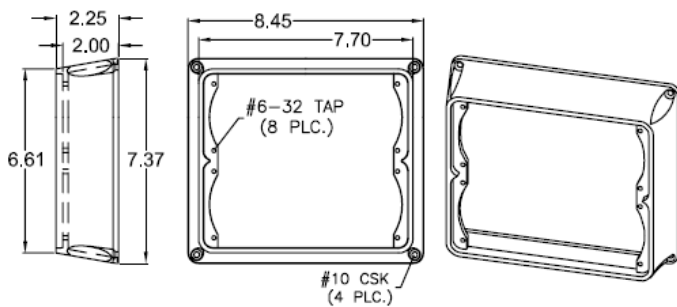
## LH90201



## LH90201 Light Trim GE 500 watt Quartz Light

- 1) Finish: All exterior surfaces are bright polished.
- 2) Angle: 0°

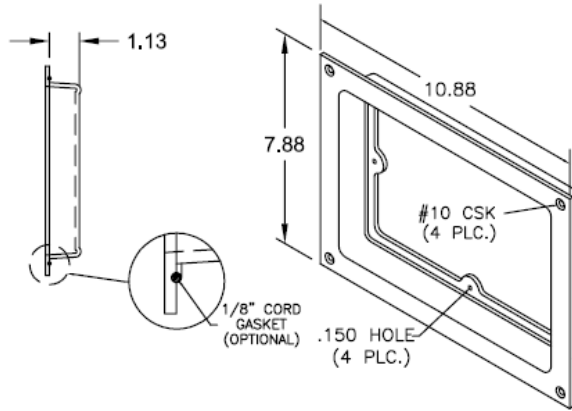
## LH37104



## LH37104 Double Light Housing (3" x 7" Light)

- 1) Finish: All exterior surfaces are bright polished.
- 2) Angle: 0°
- 3) Total surface mount. No clearance hole in the body required.

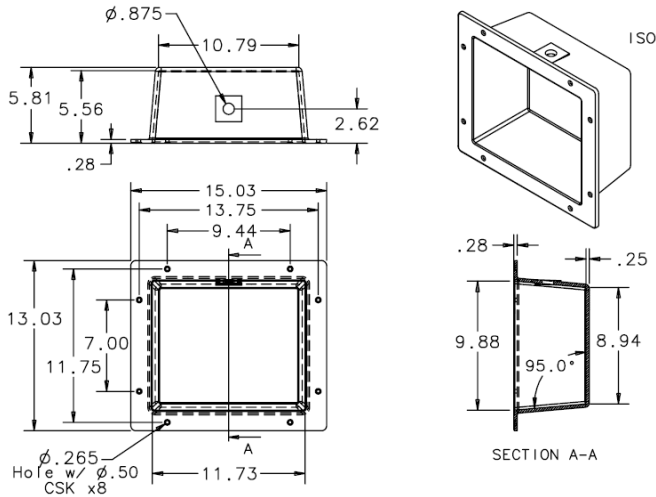
## LH32301



## LH32301 Recessed Light Housing Weldon 3020

- 1) Finish: All exterior surfaces are bright polished or 120 grit ground.
- 2) Angle: 0°
- 3) 1/8" cord gasket to seal housing to the body (optional: customer please specify).

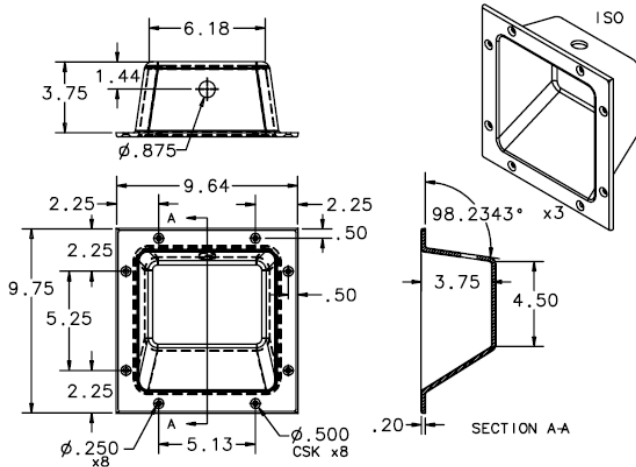
## FA0006



## FA0006 500 Watt Light Housing

- 1) Finish: Flange is polished. Inside is ball-burnished.

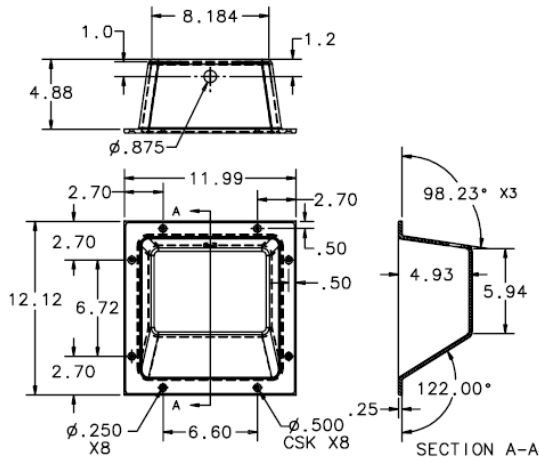
## FA0027



## FA0027 Light Box

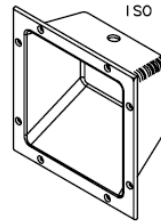
- 1) Finish: Polished.

### FA0028

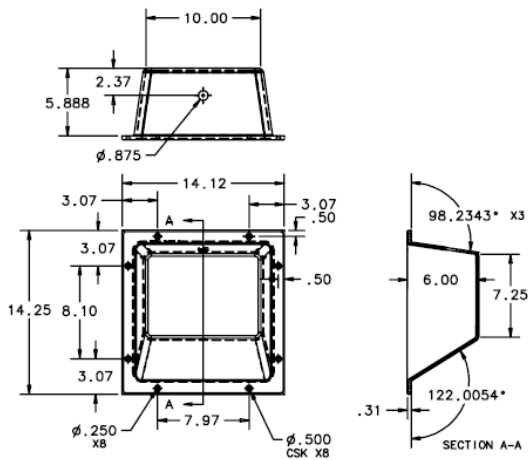


## FA0028 Light Box

1) Finish: Polished.

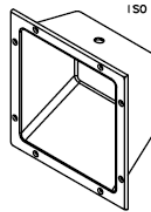


### FA0029

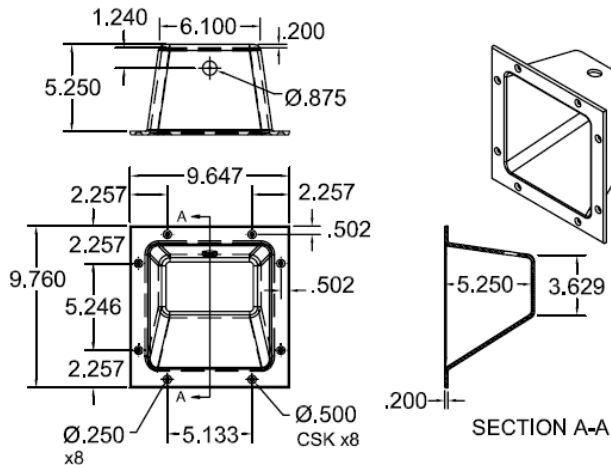


## FA0029 Light Box

1) Finish: Polished

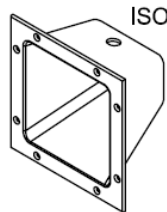


### FA0031

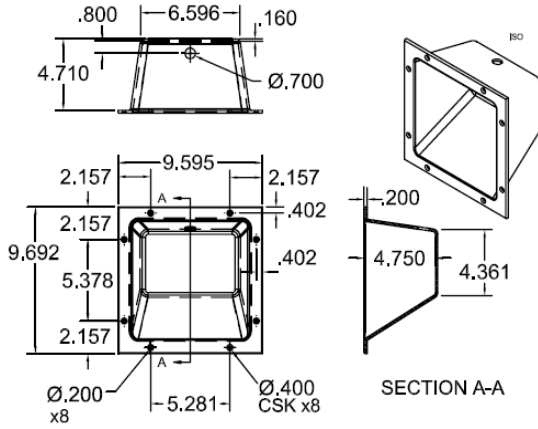


## FA0031 Light Box

1) Finish: Polished



## FA0032

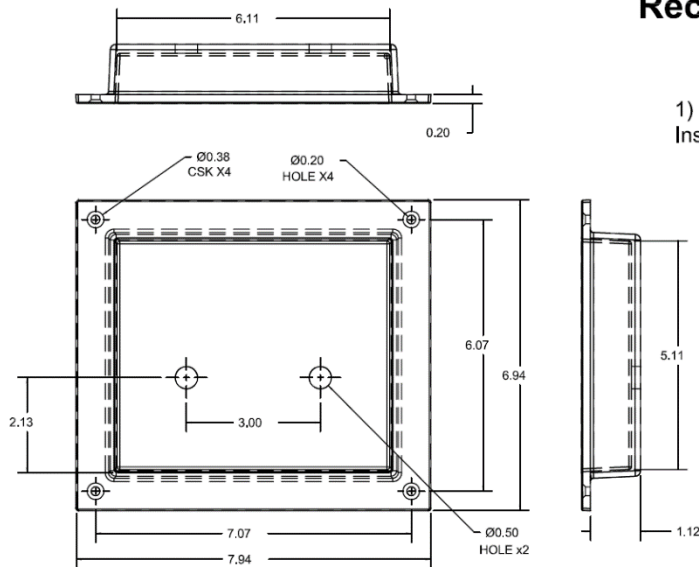


## FA0032

### Light Box

1) Finish: Polished.

## FA0035

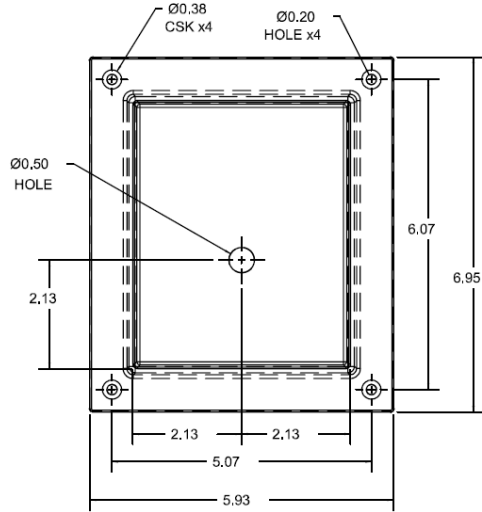
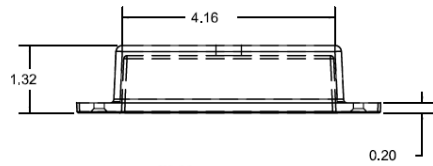


## FA0035

### Recessed Housing w/ 2 Holes

1) Finish: Flange is polished.  
Inside is ball-burnished.

**FA0036**



**FA0036**

**Recessed Housing  
w/ 1 Hole**

1) Finish: Flange is polished.  
Inside is ball-burnished.

