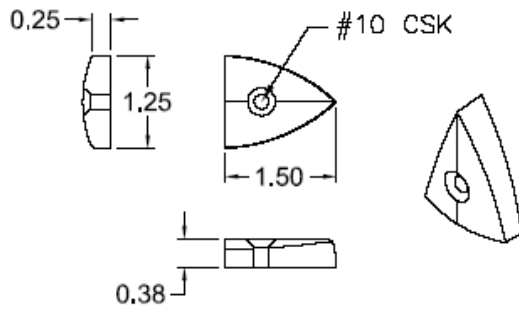


Rub Rail End Caps

RR0001

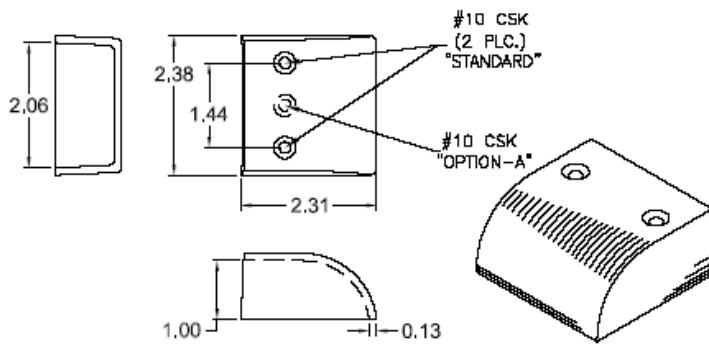


RR0001

Rub Rail End

1) Finish: All exterior surfaces are bright polished.

RR0007

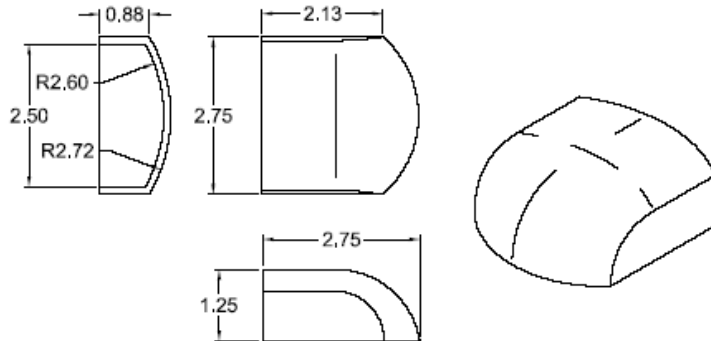


RR0007

Rub Rail End

1) Finish: All exterior surfaces are bright polished.
2) Order "option-A" for one hole in the center as shown.

RR0010

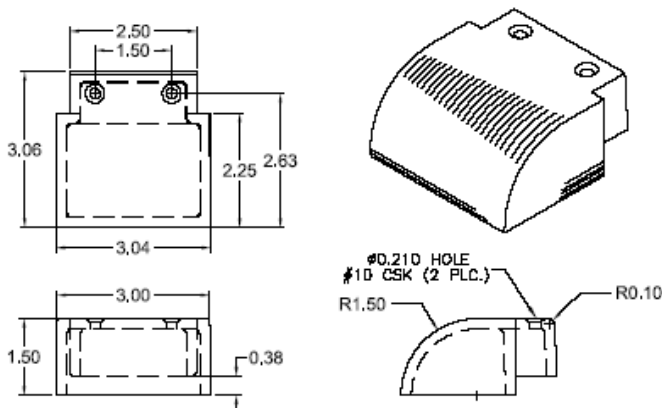


RR0010

Rub Rail End

1) Finish: All exterior surfaces are bright polished.

RR0012

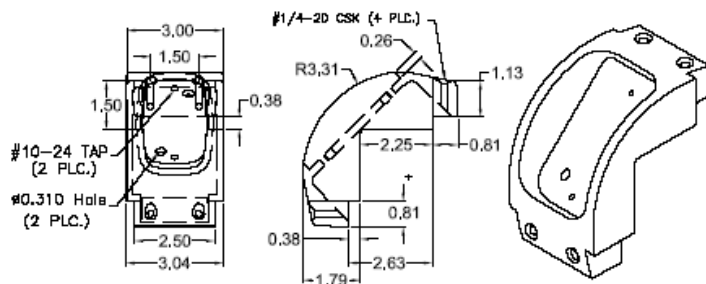


RR0012

Rub Rail End

1) Finish: All exterior surfaces are bright polished.

RR0013



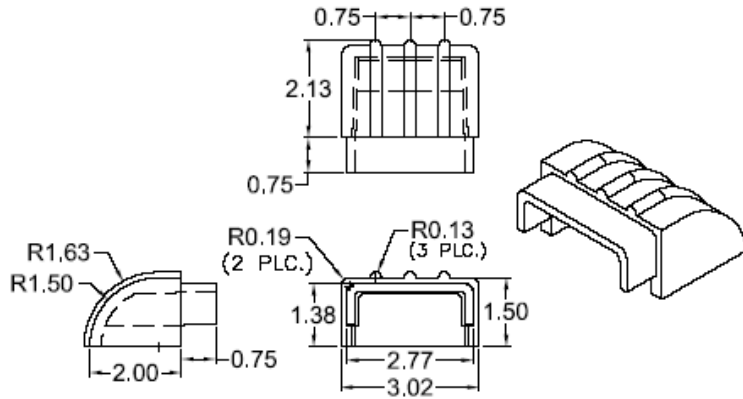
RR0013

Rub Rail End

90° degree Corner

1) Finish: All exterior surfaces are bright polished.

RR0014

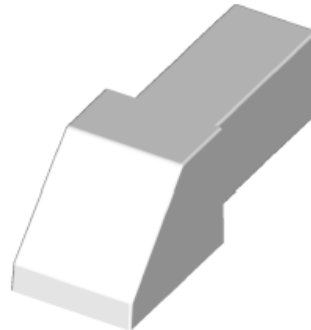
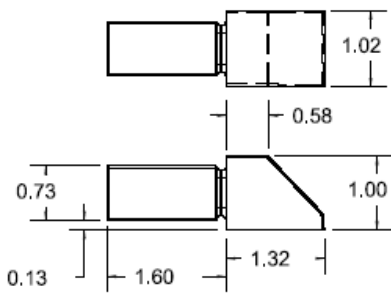


RR0014

Rub Rail End

1) Finish: All exterior surfaces are bright polished.

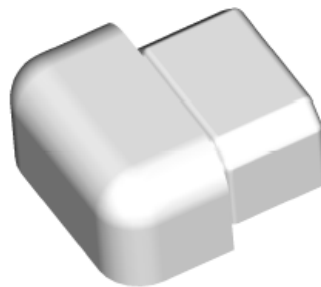
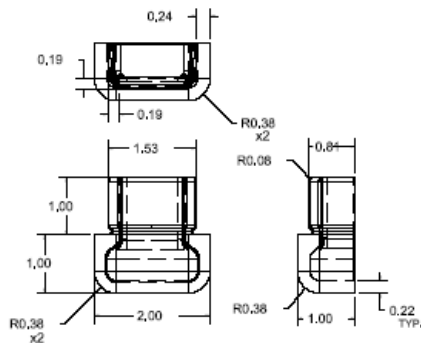
RR0024



RR0024
Rub Rail End
Cap

1) Finish: all exterior surfaces are bright polished.

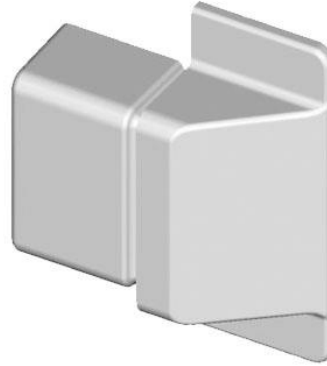
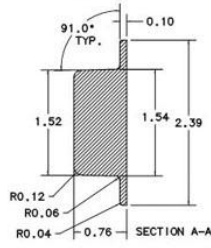
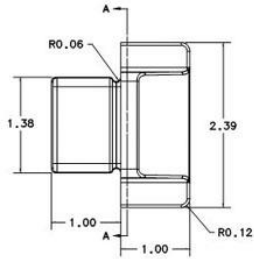
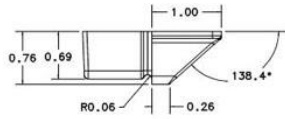
RR0027



RR0027
Rub Rail End
Cap

1) Finish: all exterior surfaces are bright polished.

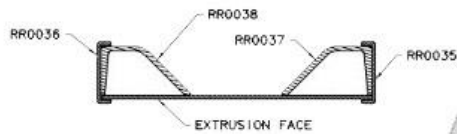
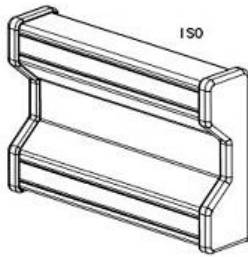
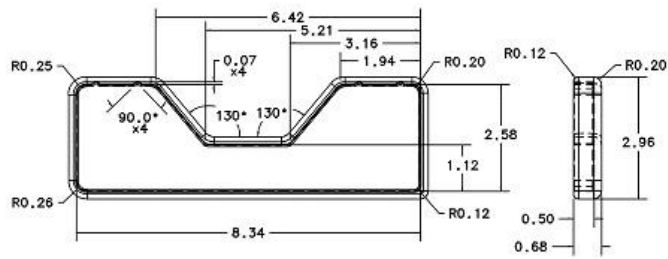
RR0034



RR0034 Rub Rail End Cap

1) Finish: ball-burnished.

RR0035 RR0036



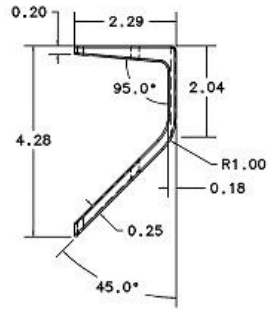
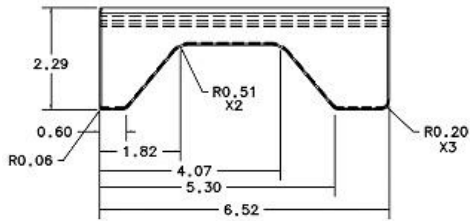
RR0035 & RR0036 Rub Rail End Caps

- 1) Finish: Ball-burnished
- 2) RR0035 Right hand shown
- 3) RR0036 Left hand is opposite



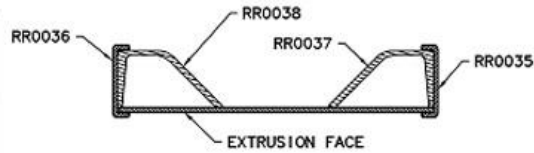
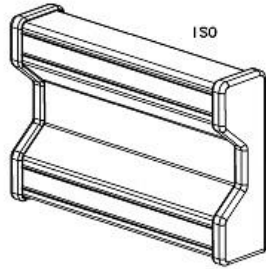
RR0035

RR0037 RR0038

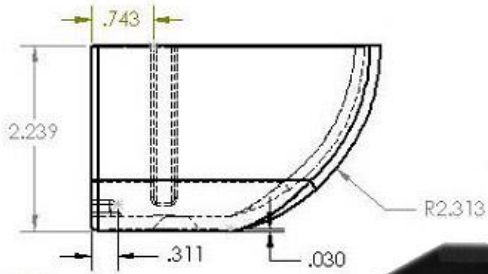


RR0037 & RR0038 Angle Filler Castings

- 1) Finish: Ball-burnished
- 2) RR0037 Right hand shown
- 3) RR0038 Left hand is opposite

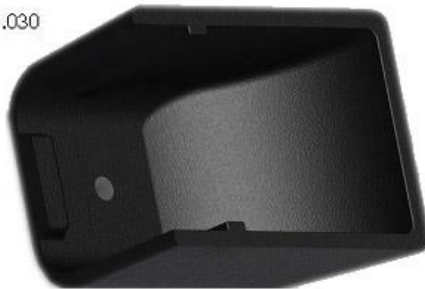


RR0042

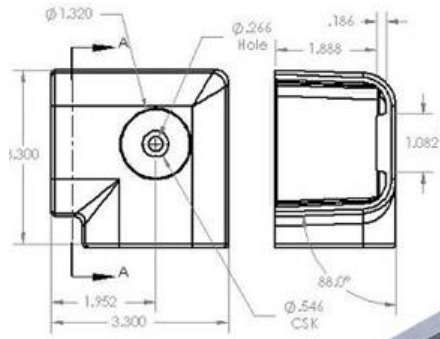


RR0042 End Cap

- 1) Finish: Powder-coated Black or VFM

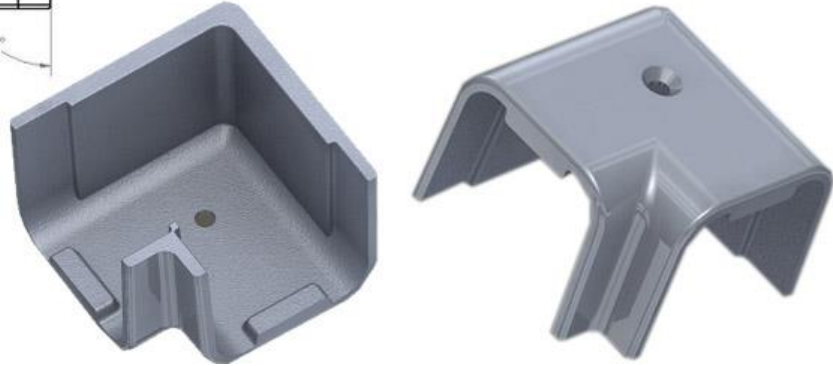


RR0043

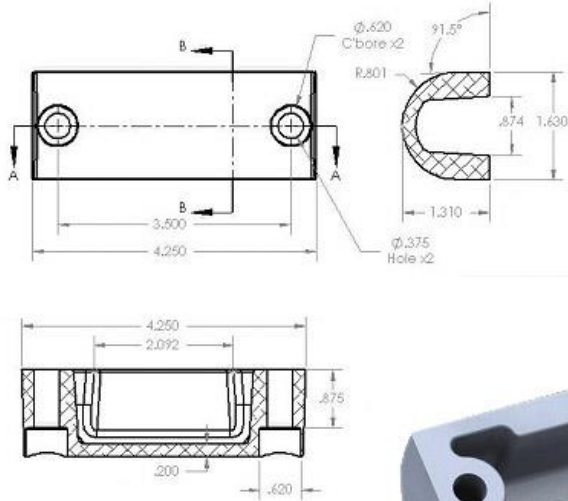


RR0043 90d. Corner Cap

1) Finish: Powder-coated Black or VFM

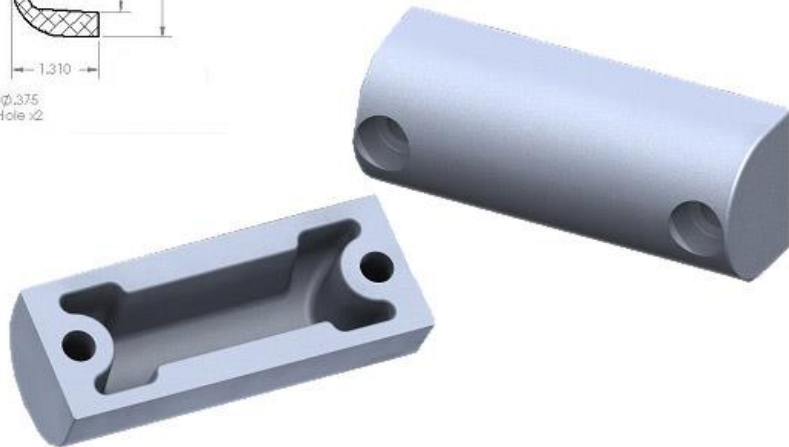


RR0044

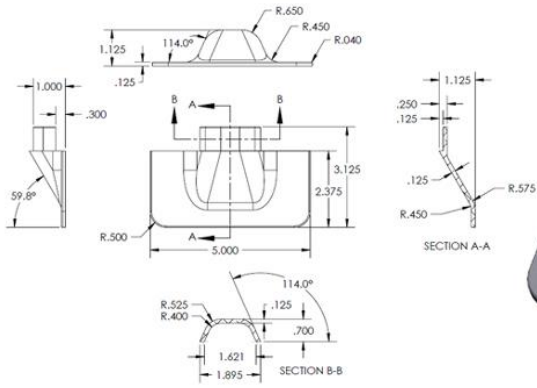


RR0044 Extrusion End Cap Casting

1) Finish: Ball-burnished



TRR0002



TRR0002
Rub Rail End Cap

1) Finish: VFM.

