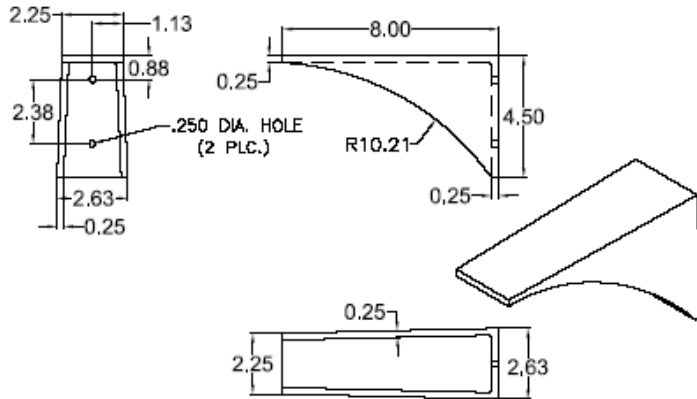


# Shelf Supports

<b>SS0001</b>	
<p style="margin-left: 20px;"> <math>\varnothing 0.265</math>              (2 PLC.)         </p>	<h2 style="margin: 0;">SS0001</h2> <h3 style="margin: 0;">Shelf Support Bracket</h3> <p style="margin: 5px 0 0 0;">1) Finish: Wheel-a-brated.</p>
<b>SS0002</b>	
<p style="margin-left: 20px;"> <math>\varnothing .250</math>              (3 PLC.)         </p>	<h2 style="margin: 0;">SS0002</h2> <h3 style="margin: 0;">Shelf Support Bracket</h3> <p style="margin: 5px 0 0 0;">1) Finish: Wheel-a-brated.</p>
<b>SS0003</b>	
<p style="margin-left: 20px;"> <math>\varnothing .265</math> DIA.              (2 PLC.)         </p>	<h2 style="margin: 0;">SS0003</h2> <h3 style="margin: 0;">Shelf Support Bracket</h3> <p style="margin: 5px 0 0 0;">1) Finish: Wheel-a-brated.</p>

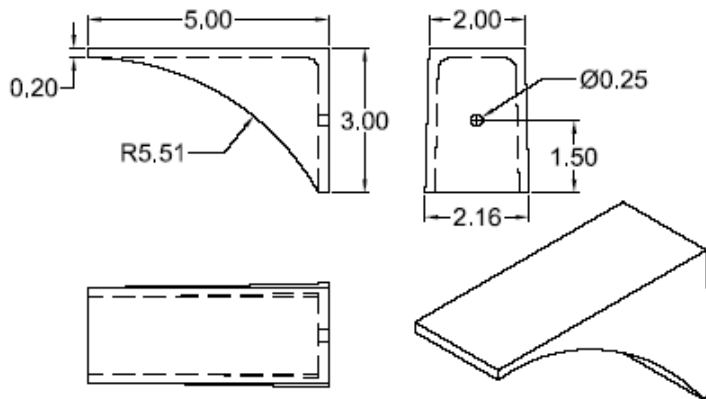
### SS0004



## SS0004 Shelf Support Bracket

1) Finish: Wheel-a-brated.

### SS0005



## SS0005 Shelf Support Bracket

1) Finish: Wheel-a-brated.