

Cast Products, Inc.
Installation Procedure
SA5402
"In-the-Bumper" Mount
Siren Speaker with 3" x 7" Light

1) After locating a position for the siren speaker unit, disassemble the polished trim bezel from the speaker unit. Only the trim bezel needs to be removed. Leave the remainder of the assembly together.

2) Using the dimensions in the figure below, drill the four .30" holes and cut the inside opening described below. Do not cut the dotted line shown in the figure, this represents the bezel dimensions.

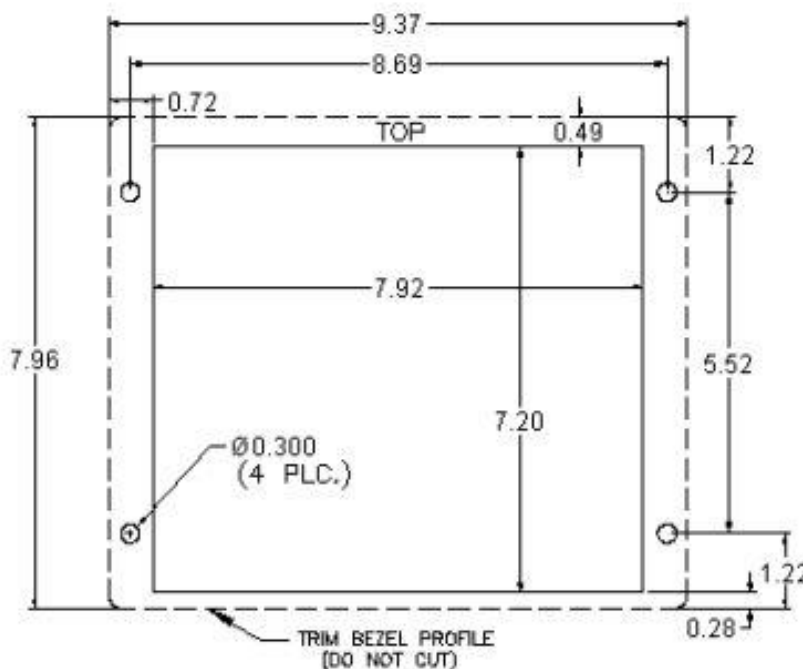
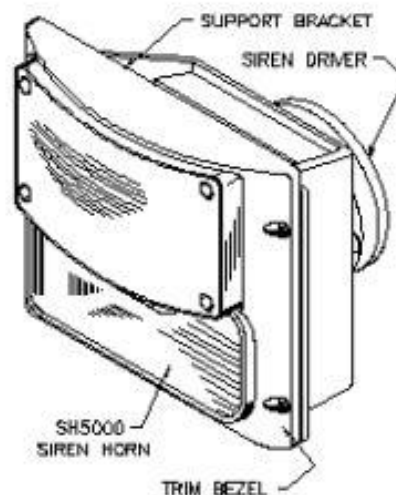
3) Deburr the hole cut-out.
(Remove the jagged and sharp edges.)

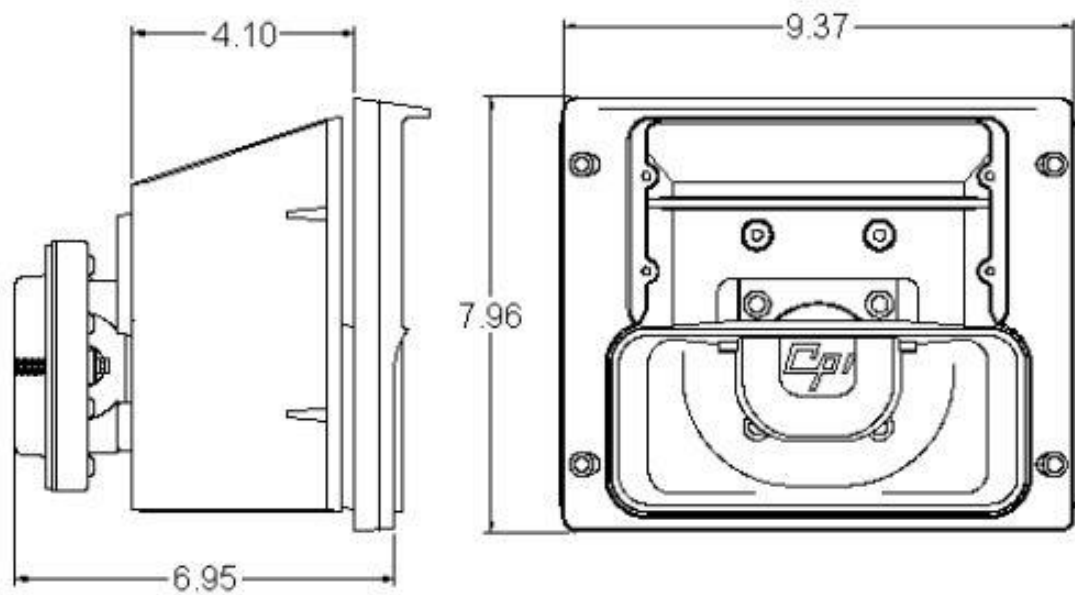
4) Insert the siren horn, support bracket, and driver from the backside of the hole cut-out. The siren horn should protrude through the hole cut-out.

5) Place the polished trim bezel from the front side, install the four screws, washers, lock-washers and nuts.

6) Straighten the siren unit and tighten all hardware.

7) Continue with wiring.





SA5401 & SA5402

4 OF EACH:			
1/4-20 1 1/4" STAINLESS STEEL OVAL HEAD	1/4" FLAT WASHER	1/4" LOCK WASHER	1/4-20 NYLON LOCK NUT
			

FOR 1 SIREN