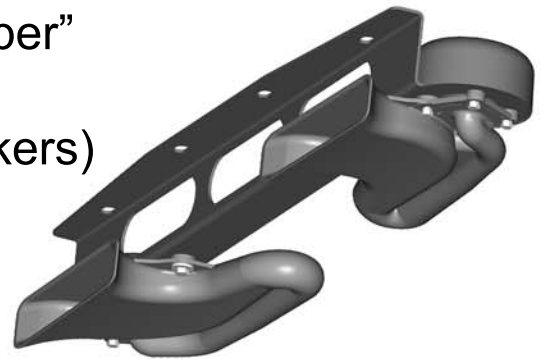


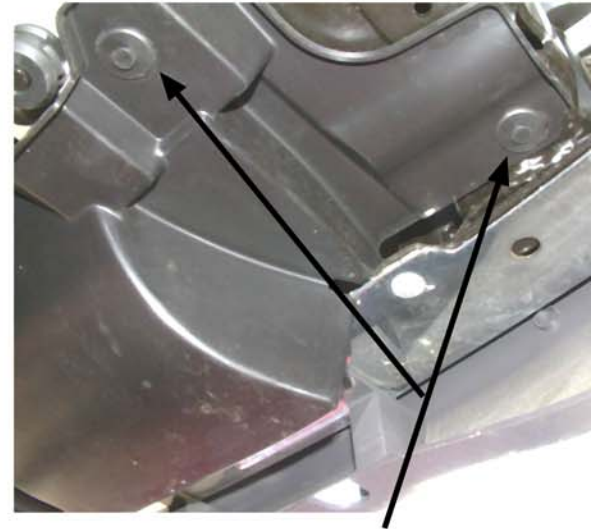
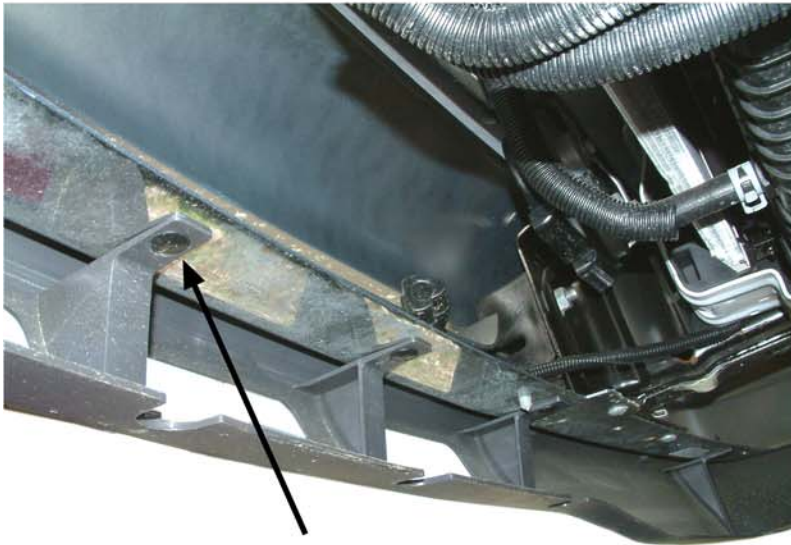


SA6011 "Under-the-Bumper" Center Mount for 05 Ford E350 (Dual Speakers)

Installation Procedure



It is recommended that these instructions be completely read through first and referred to when performing maintenance and/or reinstallation of this product. FAILURE TO FOLLOW THESE SAFETY PRECAUTIONS AND INSTRUCTIONS COULD RESULT IN DAMAGE TO THE PRODUCT OR VEHICLE AND/OR SERIOUS INJURY.



Temporarily remove plastic scoop

The dual speaker assembly mounts to the bottom of the E350 Bumper edge.

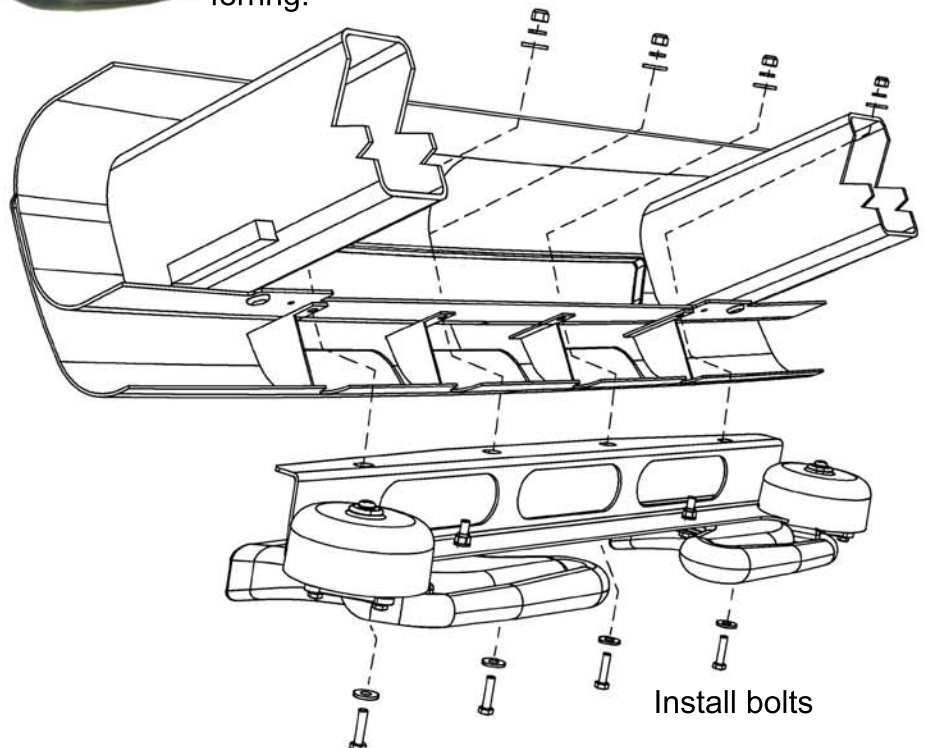
1) Temporarily remove the bottom air scoop that centers on the 3 openings on the bottom bumper ferring.

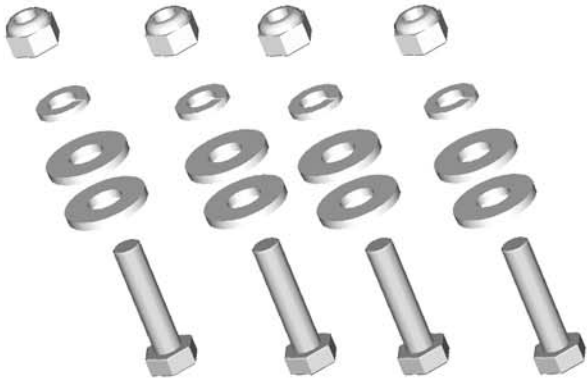
2) Remove the plastic retainer plugs x4 that hold the ferring braces to the bottom of the bumper.

3) Position the speaker assembly and center the bracket mounting holes over the four pre-existing holes located in the bumper edge.

4) Install the 5/16-18 x 1 1/4" G8 Hex head bolts with flat washers, lock-washers and 5/16-18 Nylon lock nuts (x4).

5) Tighten all bolts. Make sure to include in the periodic maintenance check of all bolts and entire speaker assembly.



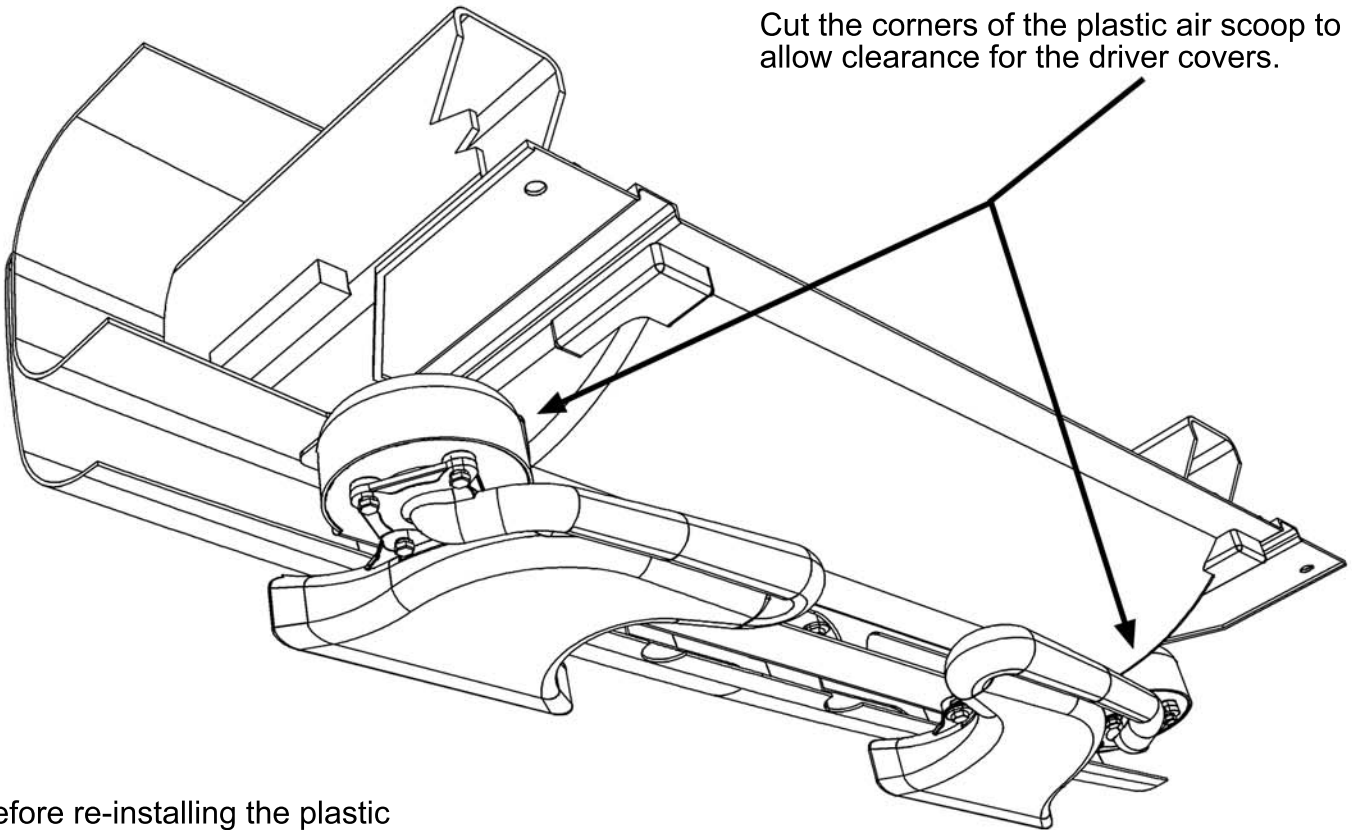


Mounting Hardware (included)

- 8- 5/16 Flat Washer
- 4- 5/16 Lock Washer
- 4- 5/16-18 Nylon Lock Nut
- 4- 5/16-18 x 1.25 G8 Hexhead Bolt



Cut the corners of the plastic air scoop to allow clearance for the driver covers.



6) Before re-installing the plastic air scoop, cut the corners of the plastic air scoop to allow clearance for the siren speakers driver covers.

7) Continue with the electrical connections of the speaker drivers to the siren amp. by following their manufacturers directions.