

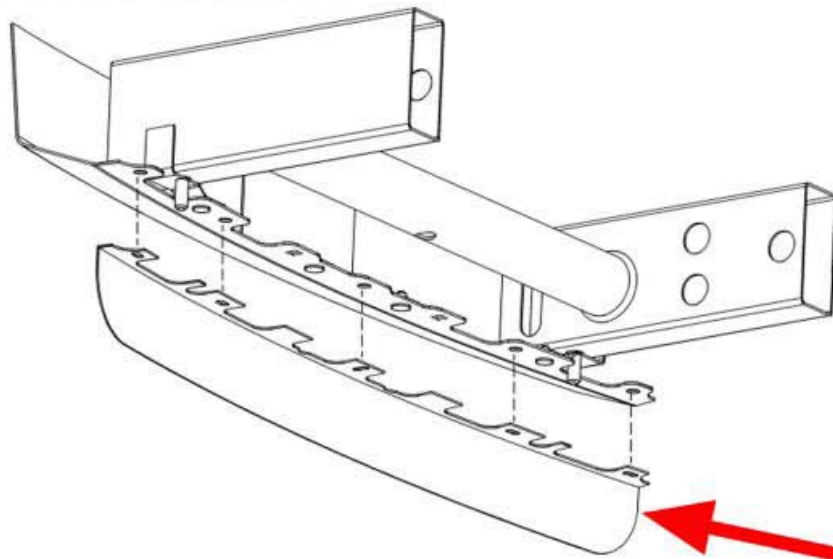
# SA6012 "Under-the-Bumper" Center Mount for 06-07 Chevy / GMC G3500 (Dual Speakers)

## Installation Procedure



The dual speaker assembly mounts to the bottom of the G3500 Bumper edge.

It is recommended that these instructions be completely read through first and referred to when performing maintenance and/or reinstallation of this product. FAILURE TO FOLLOW THESE SAFETY PRECAUTIONS AND INSTRUCTIONS COULD RESULT IN DAMAGE TO THE PRODUCT OR VEHICLE AND/OR SERIOUS INJURY.

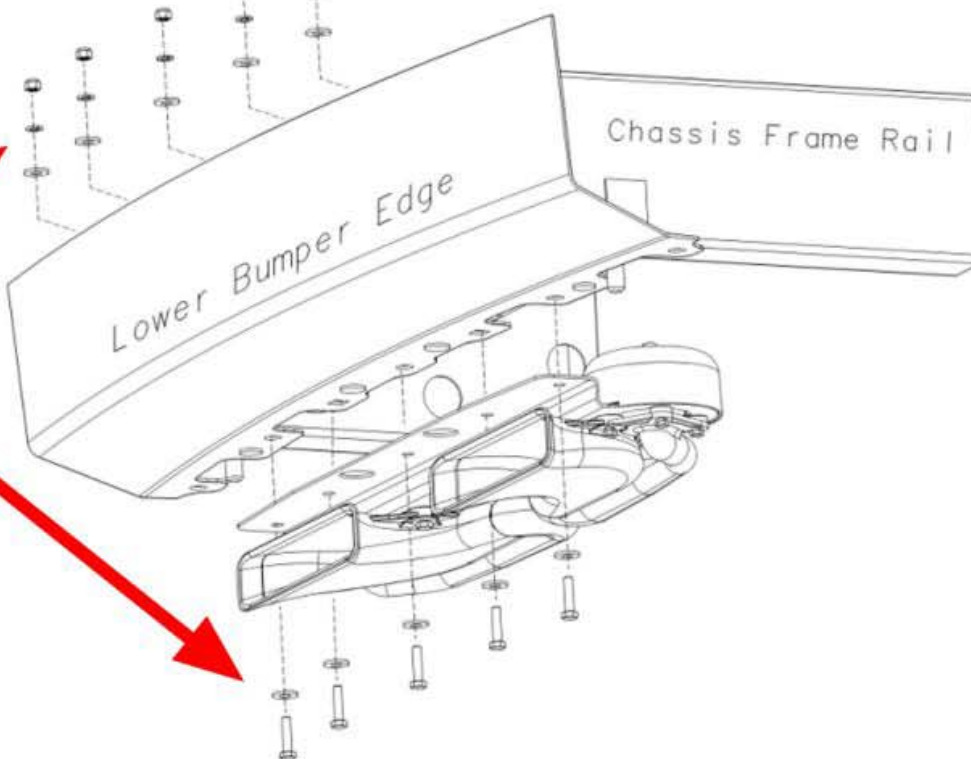


1) Remove the bottom bumper air dam (plastic) by removing the plastic rivets (x5).

2) Position the speaker assembly and center the bracket mounting holes over the five pre-existing holes located in the bumper edge.

3) Install the 5/16-18 x 1 1/4" G8 Hex head bolts with flat washers, lock-washers and 5/16-18 Nylon lock nuts (x5).

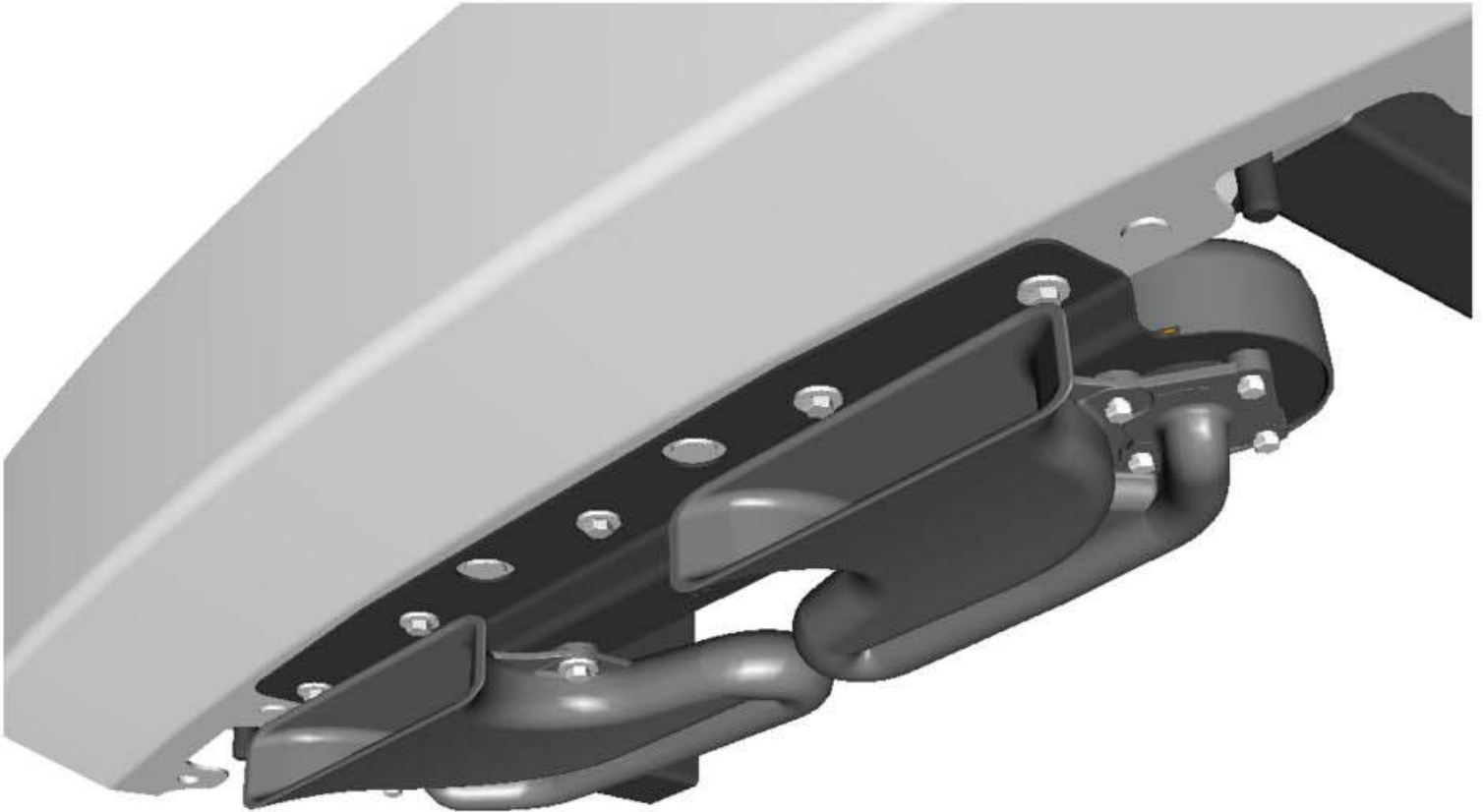
4) Tighten all bolts. Make sure to include in the periodic maintenance check of all bolts and entire speaker assembly.





Mounting Hardware (included)

- 10- 5/16 Flat Washer
- 5- 5/16 Lock Washer
- 5- 5/16-18 Nylon Lock Nut
- 5- 5/16-18 x 1.25 G8 Hexhead Bolt



5) Continue with the electrical connections of the speaker drivers to the siren amp. by following their manufacturers directions.