



SAD4318 and SAP4318 "Through-the-Bumper" Mount Siren Speaker for 2008 International 4300 Installation Procedure



1) Inspect the contents of the Siren Speaker Assembly and make sure that all mounting hardware and components are accounted for. The speakers will bolt onto the outboard bumper area. A cutting template will be required for locating and marking speaker locations (CT0216 P and D Templates).

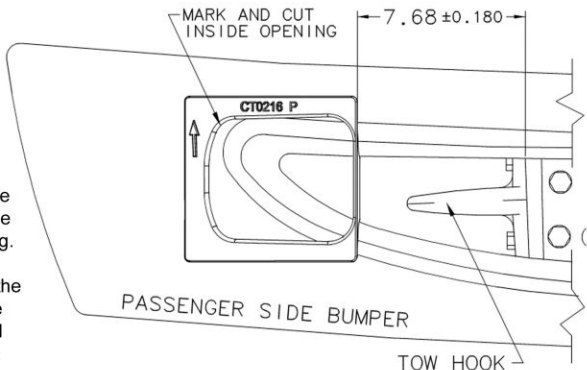
2) Using the templates, position them to match the bumper contour with the inboard edge about 7.68" from the edge of the Tow Hook and opening. Mark the "interior" of the plastic template opening.

3) Insert the cast speaker assembly into the cut opening and check for fit. Mark the center of the 4 mounting holes and drill .265" clearance holes into the bumper.

4) Insert the speaker assembly into the the bumper hole and install the 1/4" flat washers, 1/4" lock washers and 1/4-20 Nylon Lock nuts onto the 1/4-20 x 1 1/2" Oval head screws (x4). Tighten all bolts.

5) Continue with the electrical connections as per their manufacturers directions.

6) Make sure all electrical wiring is secure, either in wire loom or nylon ties. Include a regular maintenance check of the hardware bolts and electrical connections. Make sure to include standard lock-tite procedures for any speaker maintenance.



Hardware included (per speaker)

Item Qty Description

1	4	1/4-20 x 1.25 SS Ovalhead screw Phillips Head
2	4	1/4 Lock Washers
3	4	1/4-20 Nylon Lock Nut
4	4	1/4 Flat Washer

