

Product Line Designators

AD	Access Door	MSP	Marine Stern Port
ADC	Access Door Component	MSS	Marine Stern Starboard
ADM	Access Door Misc	OA	Oxygen Accessories
AH	Assembly Hardware	OC	Oxygen Cylinder Parts
BC	Bumper Corner	PR	Proprietary Parts
CR	Foundry Core	PRC	Proprietary Component
CPM	CPI Misc	RG	Rubber Gasket
CT	Cutting Templates	RR	Rub Rail End
DH	Door Hardware	SA	Siren Assembly
EB	Enclosed Box	SAD	Siren Assembly Driver
EC	Extrusion Component	SAP	Siren Assembly Passenger
EL	Electronics	SB	Siren Bracket
EX	Extrusion	SC	Siren Cone
EXA	Ex Hsg w- CPI end caps	SD	Siren Driver
EXB	Ex Hsg w- Swivel Brkts	SH	Siren Horn
EXC	Ex Hsg w- Swivel Brkts, Rt side hole	SP	Step
EXD	Ex Hsg w- Swivel Brkts, Lft side hole	SS	Shelf Brackets & Supports
EXE	Ex Hsg w- Angled End Caps-3x4 Lt	ST	Siren Trim
FA	Fire Apparatus	STC	Stretcher Cups
FC	Fire Apparatus Component	STH	Stretcher Hangers
FD	Fenderette	SW	Siren Wedge
FG	Fuel Guards	TA	Traffic Accessories
FGC	Fuel Guard Component	TC	Traffic Components
FR	Flange Ring	TFC	Truck Front Curbside
FS	Flange Spacer	TFS	Truck Front Steetside
HD	Handles	TFU	Truck Front Universal
IV	IV Hanger	TGC	Truck General Casting
LB	Light Bar Bracket	TGR	Truck General Rear
LBC	Light Bar Bracket Component	TMC	Truck Misc. Casting
LC	Light Housing Component	TRC	Truck Rear Curbside
LH	Light Housing Assembly	TRG	Truck Roller Gusset
LP	License Plate Holder	TRR	Truck Rub Rail
MBW	Marine Bow	TRS	Truck Rear Streetside
MC	Modular Corner	TRU	Truck Rear Universal
MCC	Marine Corner Casting	VC	Vent Cover
MGC	Marine General Casting	WC	Wheel Cover
MHB	Marine House Boat	WH	Wheeler Medical
MMC	Marine Misc	WL	Warning Light

Light Legends

Light Housing, Weldon 1000 series	LH10
Light Housing, Truck-lite Marker	LH14
Light Housing, Weldon 2000 series	LH20
Light Housing, Weldon 2030 series	LH23
Light Housing, Federal Signal MODLED1 Light	LH24
Light Housing, 2" X 5"	LH25
Light Housing, 2" X 5" Federal Signal VIPER	LH251
Light Housing, Weldon 3020 series	LH32
Light Housing, 3" X 4"	LH34
Light Housing, 3" X 5" Linear Strobe (4E)	LH35
Light Housing, 3" X 7" (7E)	LH37
Light Housing, 3" X 7" (Whelen M Series)	LH37M
Light Housing, Trucklite Dome Light	LH44
Light Housing, 4" X 6"	LH46
Light Housing, 5" X 2" 500 series (500 series)	LH52
Light Housing, 5" X 8"	LH58
Light Housing, 7" X 9" (9E)	LH79
Light Housing, 1500 watt	LH901
Light Housing, 500 watt	LH902
Light Housing, Betts B70A	LH903
Light Housing, Cat's Eye CE600	LH904
Light Housing, Code3 Oscilaser	LH905
Light Housing, Fed Sig TCL, GS2F	LH906
Light Housing, Whelen C-Head	LH907
Light Housing, Guide Arrow	LH908
Light Housing, KD Lamp	LH909
Light Housing, Fireball / Bryce Light	LH910
Light Housing, Grote 4690	LH911
Light Housing, Underbody Lights	LH912
Light Housing, Federal Signal 3600	LH913
Light Housing, Power Arc	LH914
Light Housing, PAR36 Series	LH915

Powder Coat Colors (-6)

Black Flat	B
Black Crinkle Coat	BC
Black High Gloss	BHG
Black Magic (Dupont)	BM
Midnight Black Wrinkle	BW
Beige (TM)	BT
Desert Tan (PPG)	DT
UPS Brown	BR
Gray	GR
Anodized Aluminum	AA
Anodized Gray	G3
Silver	S
Bengal Silver	SB
Tornado Gray	TG
White	W
Pure White	PW
Scrobe White	SW
Weathered White	WW
Safety Yellow	SY
Traffic Yellow	Y
Red	R

Finish Call-outs and Options:

Polished	1
Ground	2
Brushed and ground	21
As cast	3
Wheel-a-brated	4
Ball-burnished	5
Ball-burnished and Hard buffed	51
Powder-coated	6
Vibratory Finish	7
Bead-Blasted	8

Hole Options

Lock Hole	L
No Lock Hole	N
1.00" Hole	100
2.00" Hole	200
2.25" Hole	225
2.38" Hole	238
2.50" Hole	250
2.63" Hole	263
3.00" Hole	300

Type of Housing Application

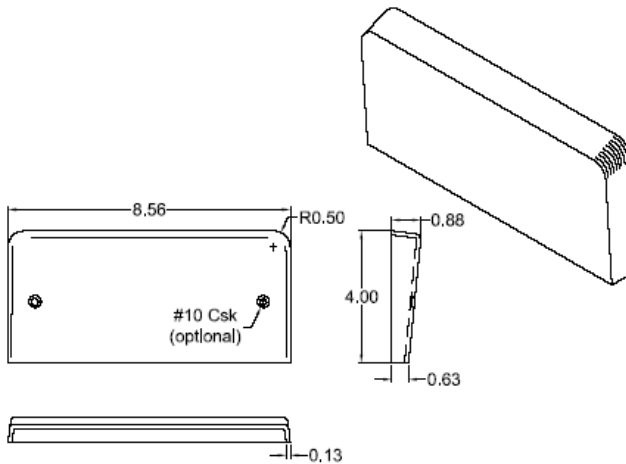
Miscellaneous	0
Total Surface Mount	1
Surface Mount	2
Recessed Mount	3
Tilt Down or Forward	4
Bumper Mount	5
Grille Mount	6
Intersection Housing	7
Flush Mount	8
No holes Option	9

Option Format

(Option #1)	A
(Option #2)	B
(Option #3)	C
etc.....	D

Vent Covers

VC0001

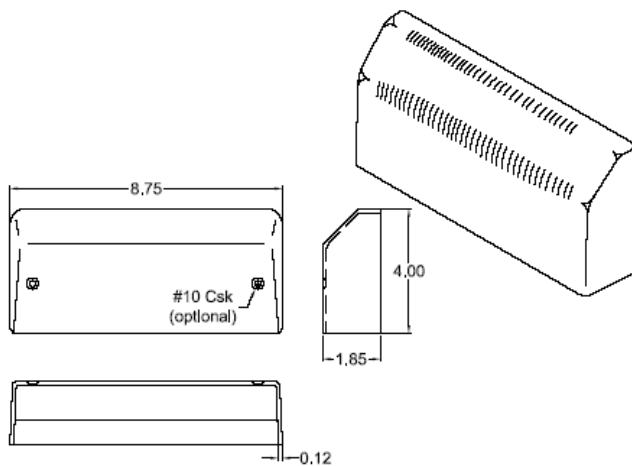


VC0001

Vent Cover

- 1) Finish: 120 grit ground and brushed.
- 2) Designed to weld on, but can be supplied with 2 #10 countersunk holes for tie down screws or no holes.

VC0002

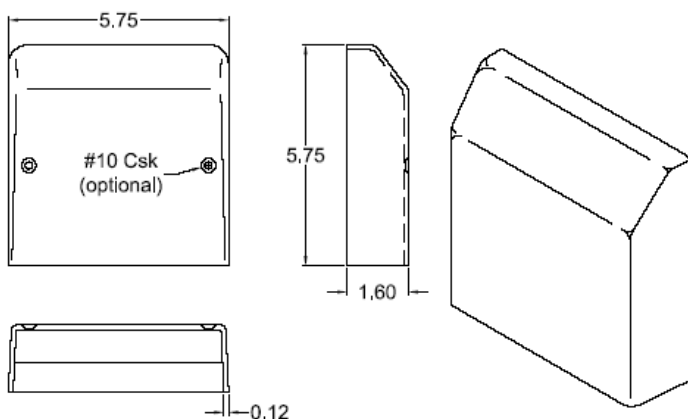


VC0002

Vent Cover

- 1) Finish: 120 grit ground and brushed.
- 2) Designed to weld on, but can be supplied with 2 #10 countersunk holes for tie down screws or no holes.

VC0003

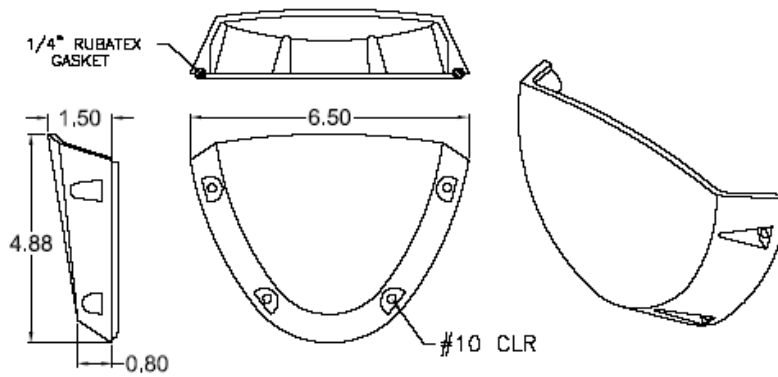


VC0003

Vent Cover

- 1) Finish: 120 grit ground and brushed.
- 2) Designed to weld on, but can be supplied with 2 or 4 #10 countersunk holes for tie down screws or no holes.

VC0004

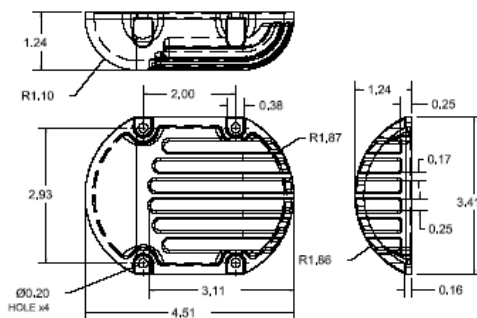


VC0004

Vent Cover

- 1) Finish: bright polished or bead-blasted.
- 2) Designed to cover the holes cut for venting of the module body or engine compartments (hood).

VC0007



VC0007

Intake Vent Cover

- 1) Finish: ball-burnished.

