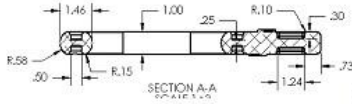
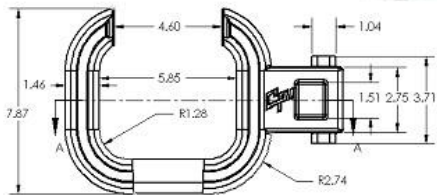


FA2011-5 FA2011-5-A

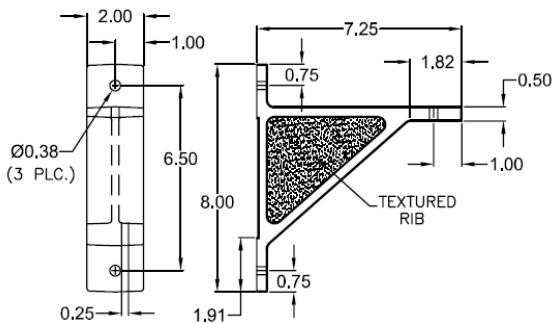


FA2011-5 & FA2011-5-A - Hose Hanger Assembly

- 1) Finish: Ball-burnished or chromed
- 2) FA2011-5 Right Opening Assembly shown
- 3) FA2011-5-A Left Opening Assembly is opposite



FA2002

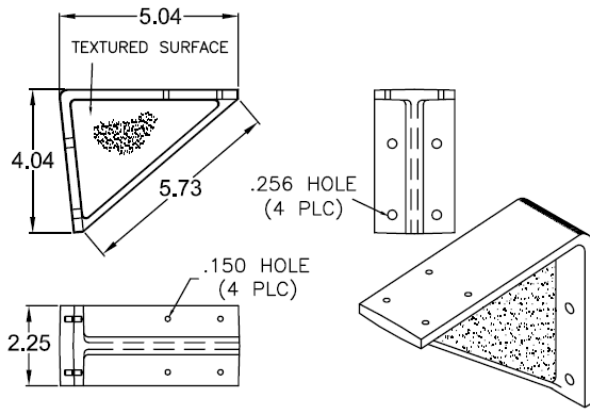


FA2002 Hose Tray Carrier Bracket

- 1) Finish: Bead-blasted.



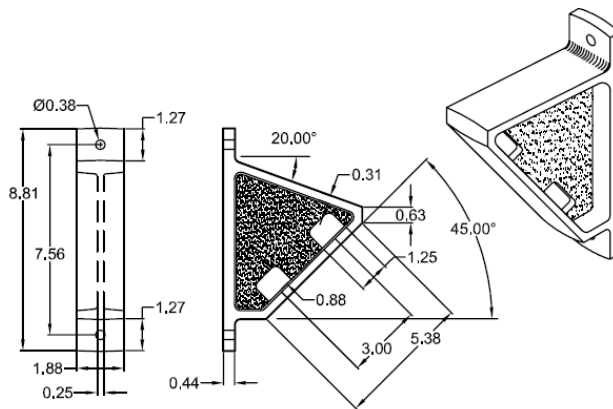
FA2003



FA2003 Hose Trough Bracket

1) Finish: Bead-blasted.

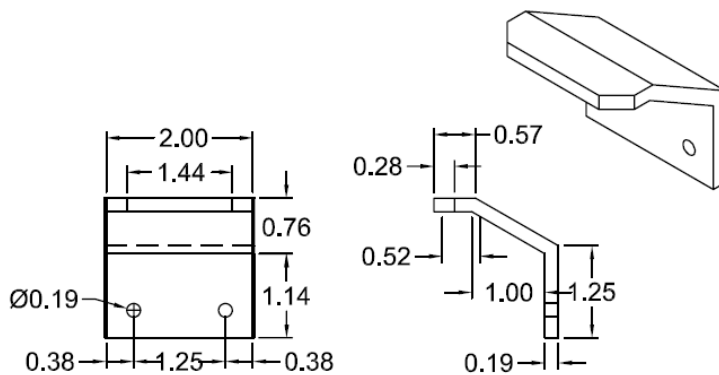
FA2004



FA2004 Hose Trough Bracket

1) Finish: Polished or
bead-blasted.

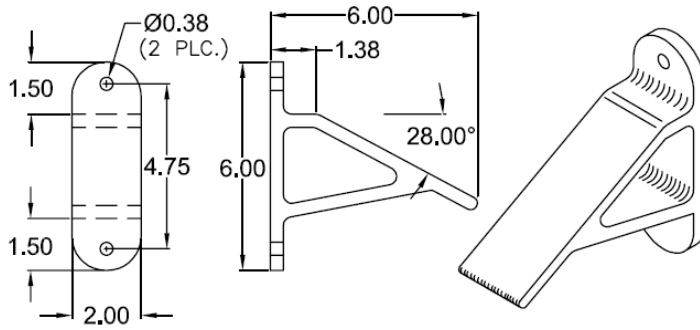
FA2005



FA2005 Hose Trough Bracket

1) Finish: Ball-burnished.

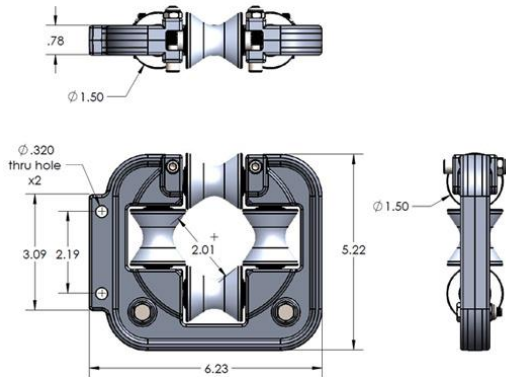
FA2006



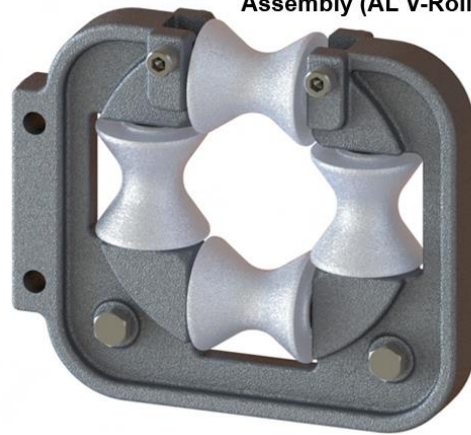
FA2006 Hose Tray Mount Bracket

1) Finish: Polished or
wheel-a-brated.

FA5100

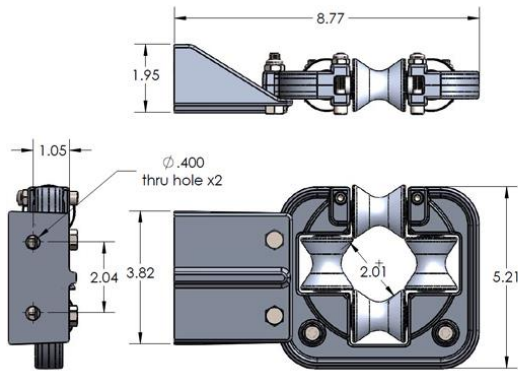


FA5100 Hose Roller Fairlead, Plain Assembly (AL V-Roller)



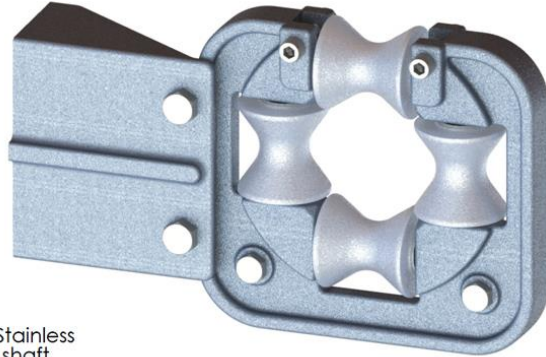
1. Finish: ball-burnished (-5).
2. Material: AL356.2 main castings and V-Rollers. Stainless hardware. Nylon Bushing for each V-Roller and shaft.

FA5101



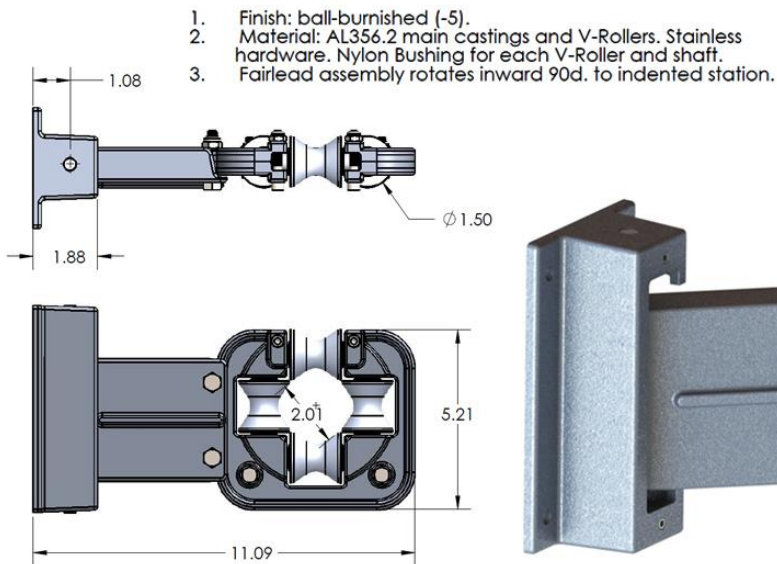
FA5101

Hose Roller Fairlead,
Fixed 90d Assembly (AL
V-Roller)



1. Finish: ball-burnished (-5).
2. Material: AL356.2 main castings and V-Rollers. Stainless hardware. Nylon Bushing for each V-Roller and shaft.

FA5102



1. Finish: ball-burnished (-5).
2. Material: AL356.2 main castings and V-Rollers. Stainless hardware. Nylon Bushing for each V-Roller and shaft.
3. Fairlead assembly rotates inward 90d. to indented station.

FA5102

Hose Roller Fairlead,
Rotating / Locking 90d
Assembly (AL V-Roller)

