

# Folding Steps

**SP6610**

**\*\*NEW**

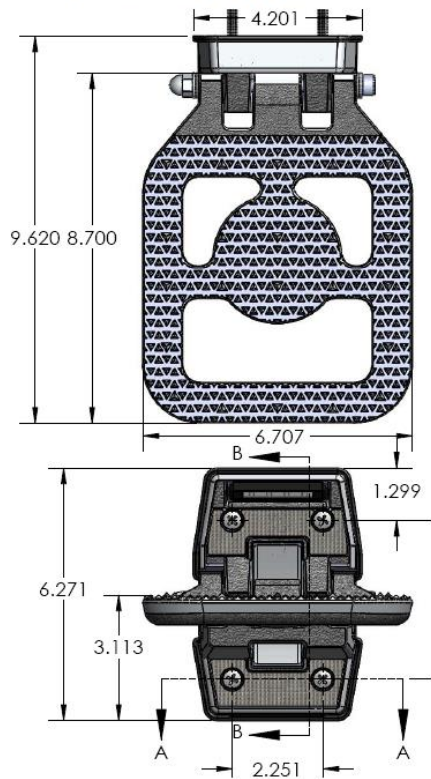
## Part # Description

SP6610-1CH-CPI	Folding Step, Chromed, Top & Bottom LED Lights, Wiring, Mounting Gasket, CPI Logo **comes as standard
SP6610-1CH-NL	Folding Step, Chromed, Mounting Gasket, CPI Logo - rubber bumper replaces top & bottom lights
SP6610-1CH-TL	Folding Step, Chromed, Mounting Gasket, CPI Logo - rubber bumper replaces bottom light
SP6610-1CH-BL	Folding Step, Chromed, Mounting Gasket, CPI Logo - rubber bumper replaces top light

\*\*\*ASK ABOUT LOGO OPTIONS

**SP6610**

**\*\*OPTIONAL LOGOS**



- Chromed to CASS 24 Specifications
- Optional Logo Inserts (CPI is Standard)
- Ball-Bearing Rotation
- Dual LED Lights
- Integrated Grab Handle Feature
- Reflective Accents
- Rugged Pyramid Tread Platform
- Largest Platform on the Market (8.7" x 6.7")
- Bolt Pattern is Retrofittable to our SP4401 Folding Step

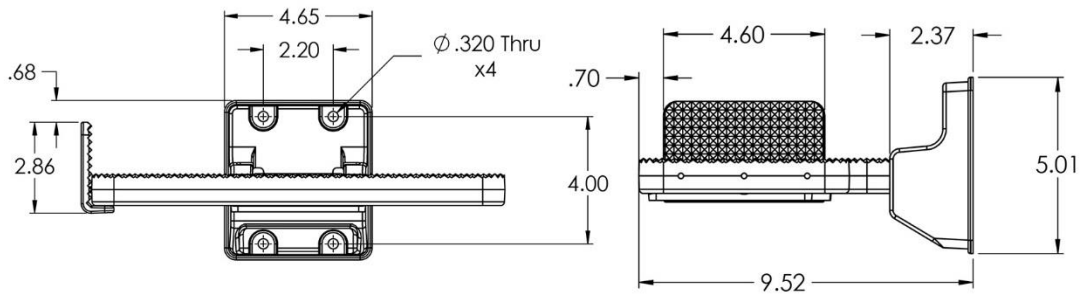
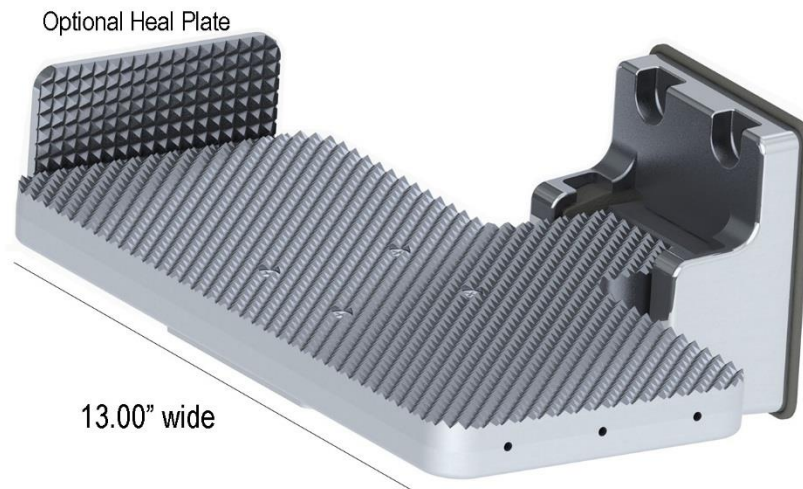
**SP4600**

**\*\*NEW**

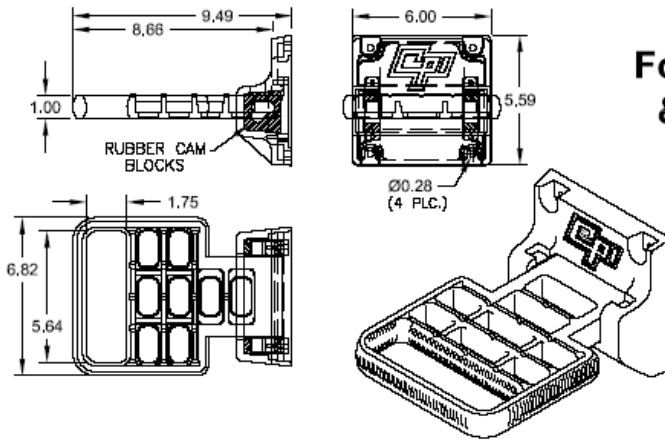
**Part # Description**

SP4600-1-A	13" Wide Folding Step, Polished Accents
SP4600-1-B	13" Wide Folding Step, Polished Accents, w/ universal SP4027 Heal Plate (not assembled)

*\*\*ASK ABOUT LOGO OPTIONS*



## SP4301-1



## SP4301 Folding Step w/ Hand-Hold & Raised Pyramid Tread

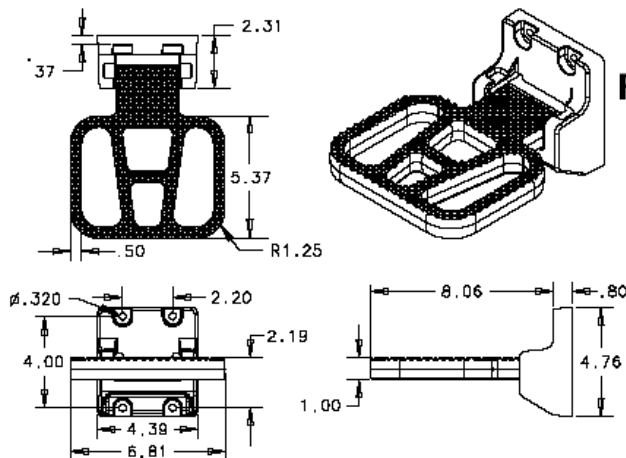
- 1) Finish: Edges are polished. All other surfaces are bead-blasted or ball-burnished.
- 2) Designed to fold-up when not in use and to exceed the requirements of 1901 & 1904-91 specs requiring 500 lbs. minimum load, 35 square inch area, 8" depth, etc....

## SP4401

**\*\*available for limited time only**

### Part # Options Description

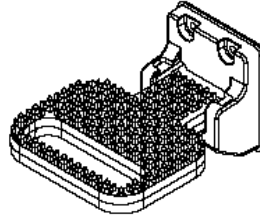
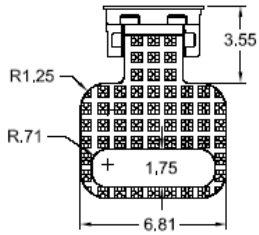
Part # Options	Description
SP4401-5	AL 356 Folding Step, 6-3/4" x 8-7/8", Pyramid, Ball Burnished Finish
SP4401-5-A	Folding Step, 6-3/4" x 8-7/8", Pyramid w/ RG0005 Gasket
SP4401-1	AL 356 Folding Step Assembly, 6-3/4" x 8-7/8" Pyramid, Ball Burnished with Polished Edges
SP4401-1-A	AL 356 Folding Step Assembly w/ Gasket, 6-3/4" x 8-7/8" Pyramid
SP4401-1-CH	Chromed Folding Step Assy, 6-3/4" x 8-7/8", Pyramid
SP4401-1-CH-A	Chromed Folding Step Assy w/ Gasket, 6-3/4" x 8-7/8", Pyramid
SP4401-1CH-BL	Both LED Lts, Chromed Folding Step Assy, 6-3/4" x 8-7/8", Pyramid, w/ Upper & Lower LED Lts
SP4401-1CH-BL-A	Both LED Lts, Chromed Folding Step Assy w/ Gasket, 6-3/4" x 8-7/8", Pyramid, w/ Upper & Lower LED Lts
SP4401-1CH-LL	Lower LED Lt, Chromed Folding Step Assy, 6-3/4" x 8-7/8", Pyramid, w/ Lower LED Lt.
SP4401-1CH-LL-A	Lower LED Lt, w/ Gasket, Chromed Folding Step Assy, 6-3/4" x 8-7/8", Pyramid, w/ Lower LED Lt.
SP4401-1CH-UL	Upper LED Lt, Chromed Folding Step Assy, 6-3/4" x 8-7/8", Pyramid, w/ Upper LED Lt.
SP4401-1CH-UL-A	Upper LED Lt, w/ Gasket, Chromed Folding Step Assy, 6-3/4" x 8-7/8", Pyramid, w/ Upper LED Lt.



## SP4401 Folding Step w/ Hand-Hold & Pyramid Tread

- 1) Finish: Edges are polished. All other surfaces are bead-blasted or ball-burnished.
- 2) Designed to fold-up when not in use and to exceed the requirements of 1901 & 1904-91 specs requiring 500 lbs. minimum load, 35 square inch area, 8" depth, etc....

# SP4500



## SP4500 Folding Step w/ Hand-Hold & Pungy Tread

- 1) Finish: Edges are polished. All other surfaces are bead-blasted or ball-burnished.
- 2) Designed to fold-up when not in use and to exceed the requirements of 1901 & 1904-91 specs requiring 500 lbs. minimum load, 35 square inch area, 8" depth, etc....

