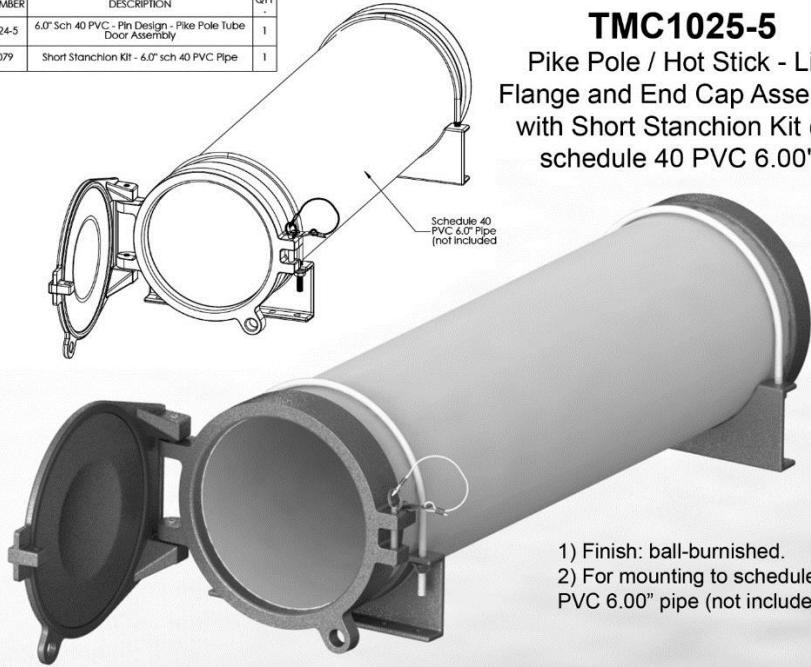


## TMC1025

ITEM NO.	PART NUMBER	DESCRIPTION	QTY
1	TMC1024-5	6.0" Sch 40 PVC - Pin Design - Pike Pole Tube Door Assembly	1
2	TMC0079	Short Stanchion Kit - 6.0" sch 40 PVC Pipe	1



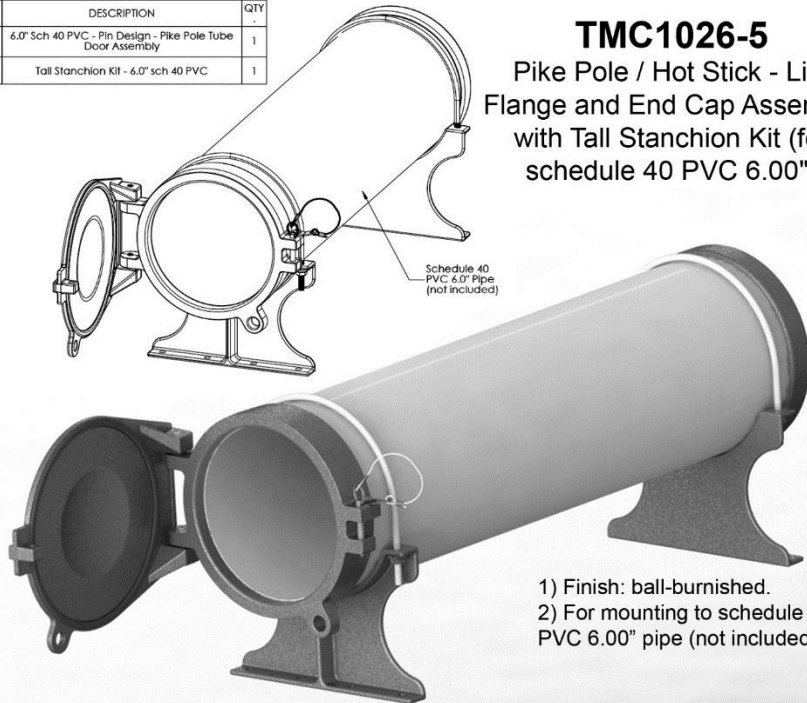
### TMC1025-5

Pike Pole / Hot Stick - Lid, Flange and End Cap Assembly with Short Stanchion Kit (for schedule 40 PVC 6.00")

- 1) Finish: ball-burnished.
- 2) For mounting to schedule 40 PVC 6.00" pipe (not included)

## TMC1026

ITEM NO.	PART NUMBER	DESCRIPTION	QTY
1	TMC1024-5	6.0" Sch 40 PVC - Pin Design - Pike Pole Tube Door Assembly	1
2	TMC0080	Tall Stanchion Kit - 6.0" sch 40 PVC	1



### TMC1026-5

Pike Pole / Hot Stick - Lid, Flange and End Cap Assembly with Tall Stanchion Kit (for schedule 40 PVC 6.00")

- 1) Finish: ball-burnished.
- 2) For mounting to schedule 40 PVC 6.00" pipe (not included)