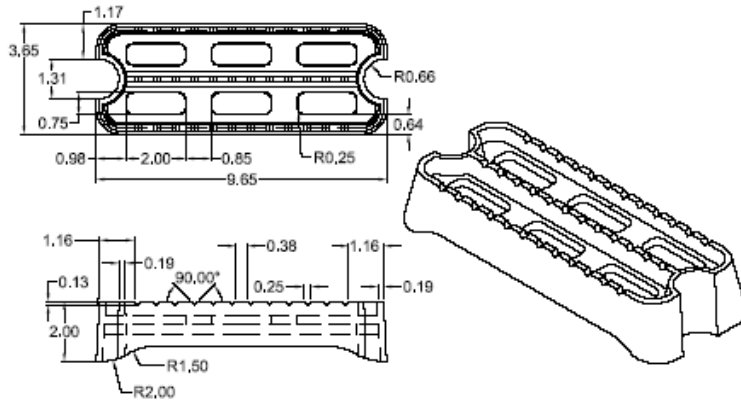


Ladder Rungs/Steps

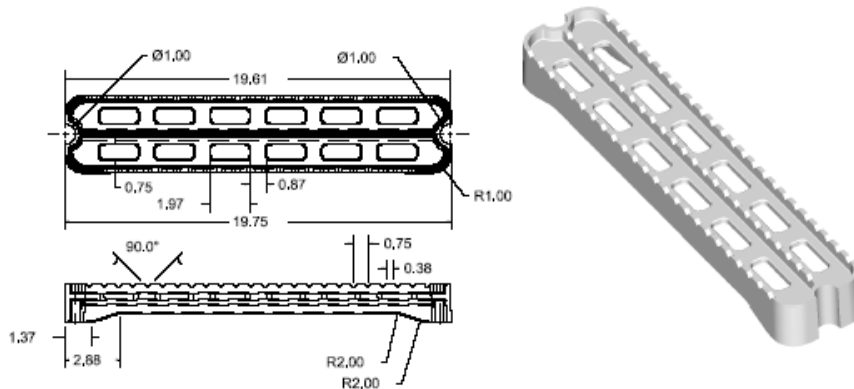
SP2017



SP2017 Rear Ladder Step

- 1) Finish: All outside surfaces are polished.
- 2) Raised "Open" tread design.

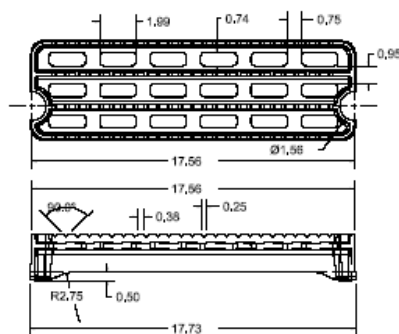
SP2024



SP2024 Ladder Step w/ Raised Tread

- 1) Finish: ball-burnished

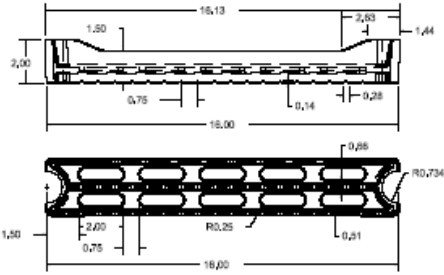
SP2025



SP2025 Ladder Step w/ Raised Tread

- 1) Finish: wheel-a-brated

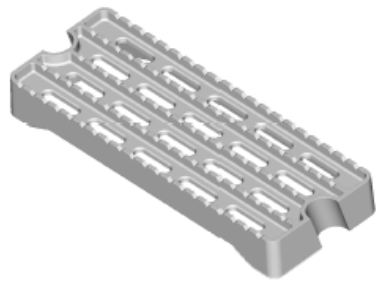
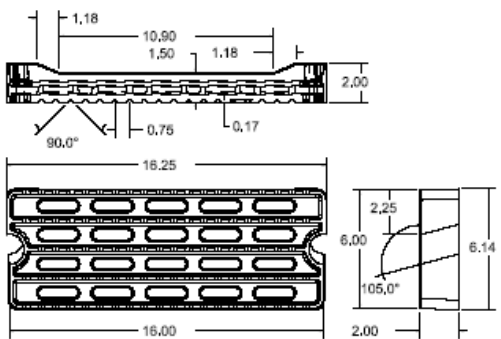
SP2029



SP2029
**Ladder Step w/
 Raised Tread**

1) Finish: ball-burnished

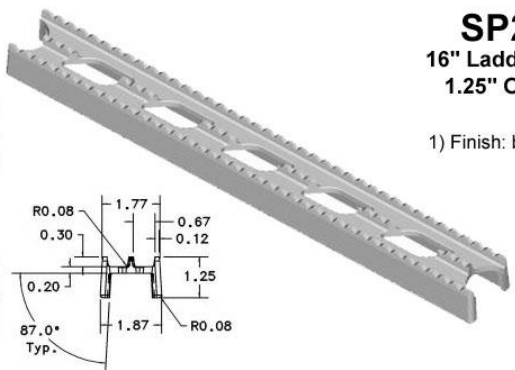
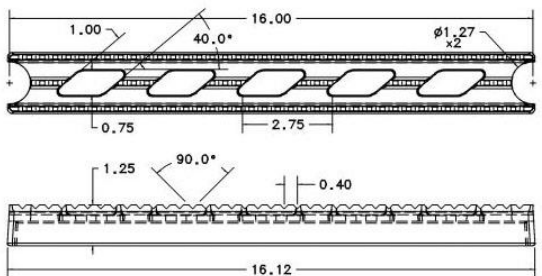
SP2030



SP2030
**Ladder Step w/
 Raised Tread**

1) Finish: ball-burnished

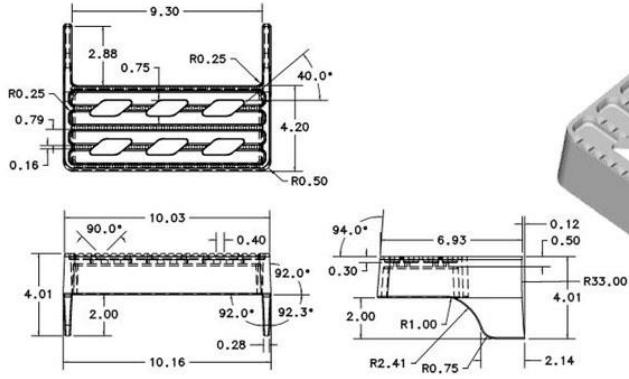
SP2032



SP2032
**16" Ladder Step for
 1.25" OD tubing**

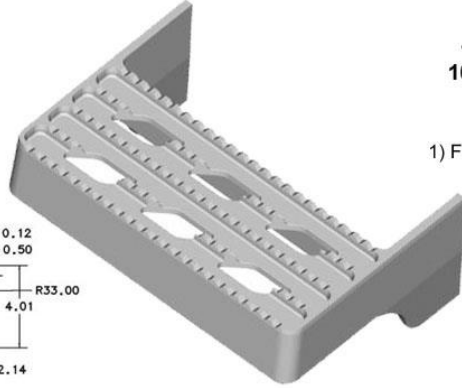
1) Finish: ball-burnished.

SP2033

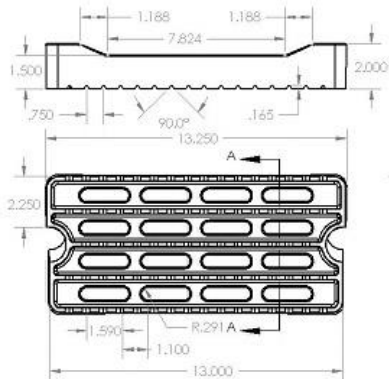


SP2033
10" Tank Step -
Rear R33"

1) Finish: ball-burnished.



SP2034

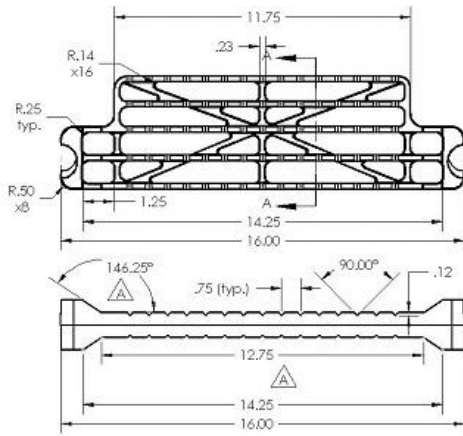


SP2034-1
13" Ladder Step w/
Raised Tread. 15d. Angle

1) Finish: Ball-burnished w/ sides
and end polished



SP2035

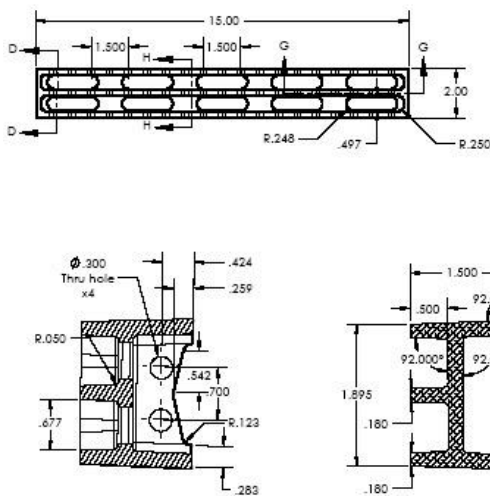


SP2035-5 16" Ladder Step

1) Finish: Ball-burnished w/ sides and end polished



SP2036



SP2036-5 15" x 2.0" Ladder Step

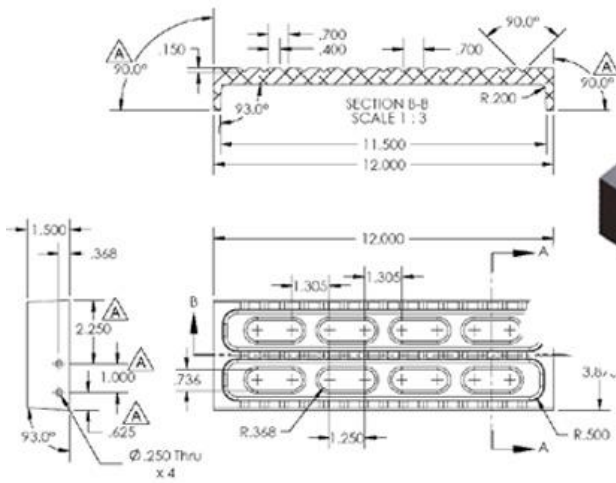
1) Finish: Ball-burnished.
2) For bolting to 2" wide extrusion or welding underneath



SP2041

SP2041-5 12.00" x 3.875" Ladder Step

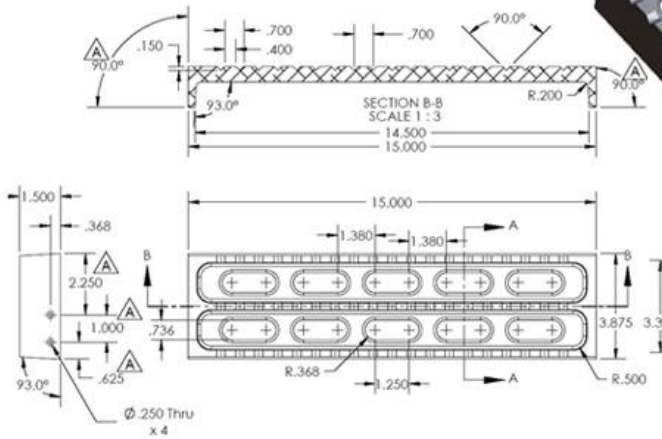
- 1) Finish: Ball-burnished.
- 2) For bolting or welding underneath



SP2042

SP2042-5 15.00" x 3.875" Ladder Step

- 1) Finish: Ball-burnished.
- 2) For bolting or welding underneath



SP2043

SP2043-5
13.5" x 2.50" wide, Ladder Step
w/ Raised Tread

- 1) Finish: Ball-burnished.
- 2) For bolting or welding underneath

