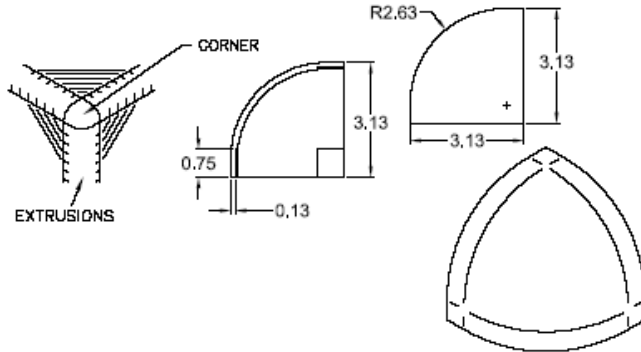


# Modular Corners

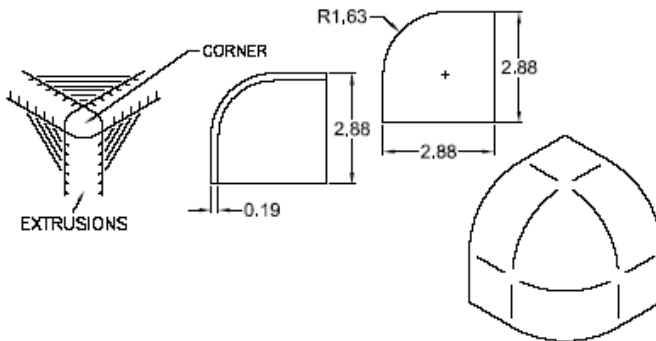
**MC0001**



**MC0001  
Modular Corner  
(Weld in)**

- 1) Finish: Ground and wheel-a-brated.
- 2) Purpose: To eliminate the need for mitering corners of extrusions.

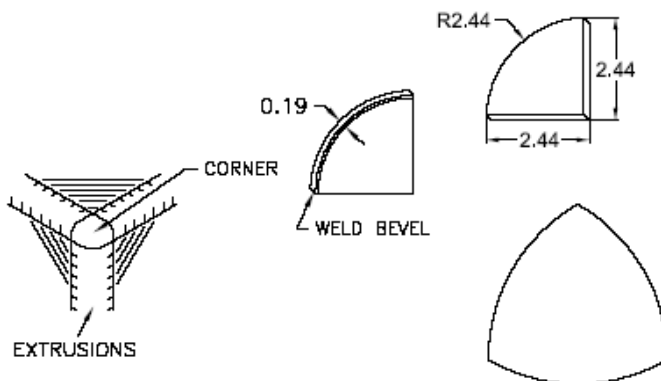
**MC0003**



**MC0003  
Modular Corner  
(Weld In)**

- 1) Finish: Ground and wheel-a-brated.
- 2) Purpose: To eliminate the need for mitering corners of extrusions.

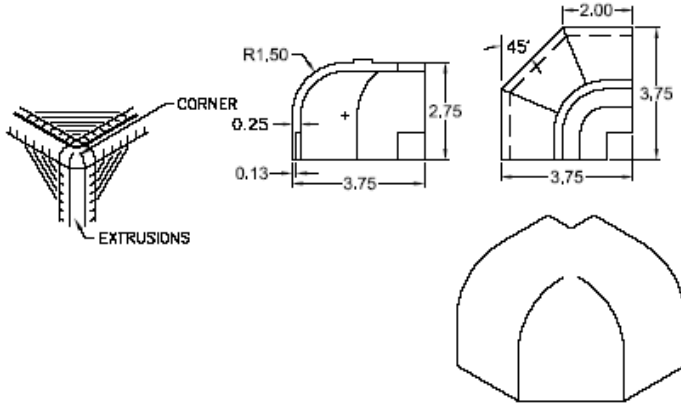
**MC0005**



**MC0005  
Modular Corner  
(Weld in)**

- 1) Finish: Ground and wheel-a-brated.
- 2) Purpose: To eliminate the need for mitering corners of extrusions.

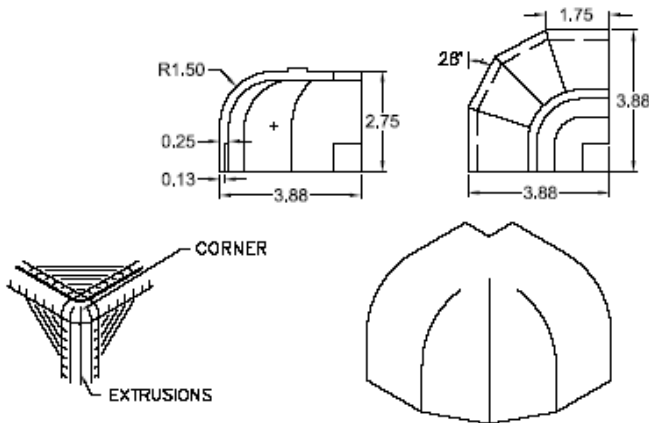
### MC0010



### MC0010 Modular Corner (Weld in)

- 1) Finish: Ground and wheel-a-brated.
- 2) Purpose: To eliminate the need for mitering corners of extrusions.

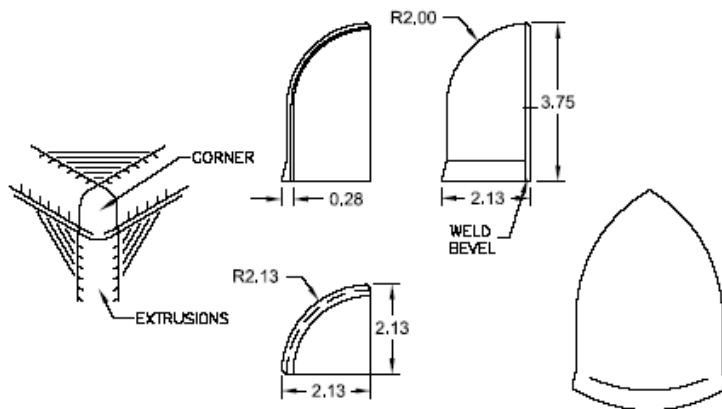
### MC0011



### MC0011 Modular Corner (Weld In)

- 1) Finish: Ground and wheel-a-brated.
- 2) Purpose: To eliminate the need for mitering corners of extrusions.

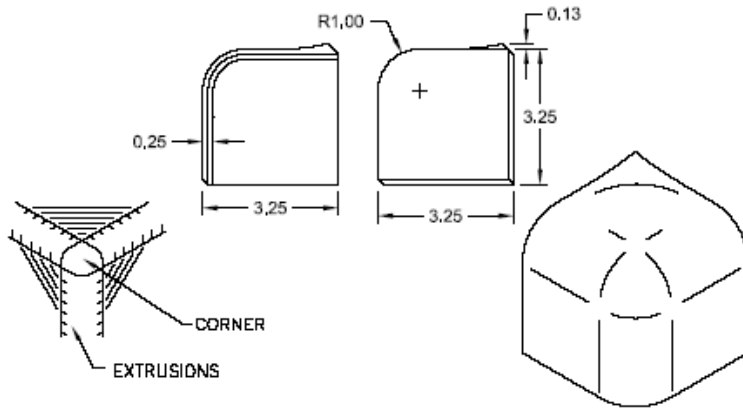
### MC0017



### MC0017 Modular Corner (Weld in)

- 1) Finish: Ground and wheel-a-brated.
- 2) Purpose: To eliminate the need for mitering corners of extrusions.

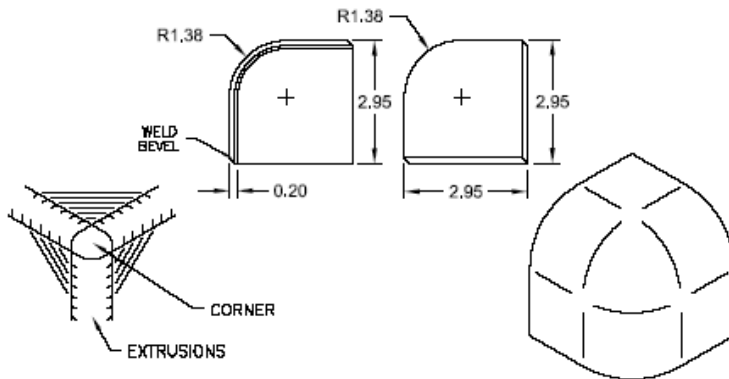
### MC0021



### MC0021 Modular Corner (Weld in)

- 1) Finish: Ground and wheel-a-brated.
- 2) Purpose: To eliminate the need for mitering corners of extrusions.

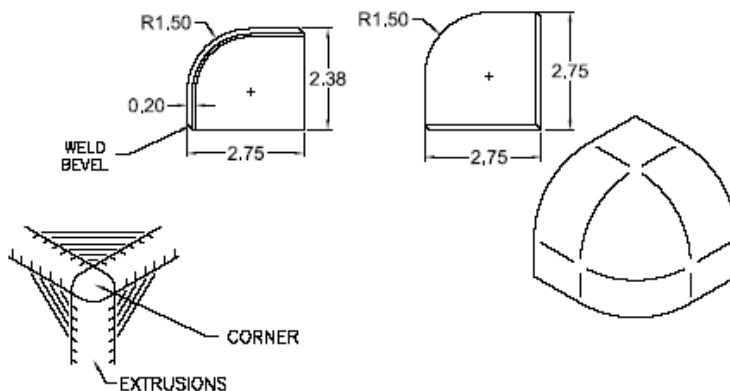
### MC0023



### MC0023 Modular Corner (Weld In)

- 1) Finish: Ground and wheel-a-brated.
- 2) Purpose: To eliminate the need for mitering corners of extrusions.

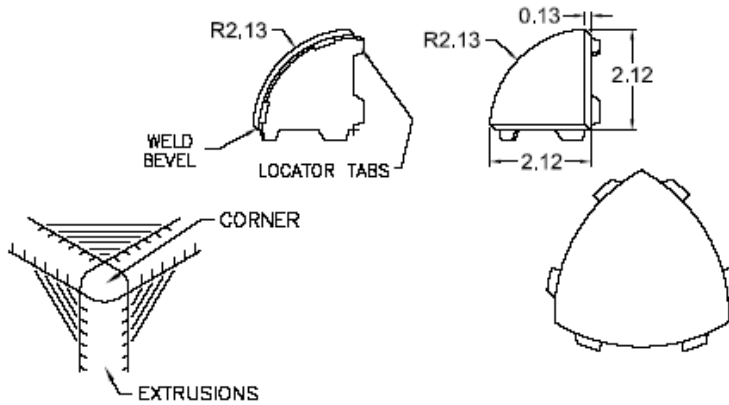
### MC0026



### MC0026 Modular Corner (Weld in)

- 1) Finish: Ground and wheel-a-brated.
- 2) Purpose: to eliminate the need for mitering corners of extrusions.

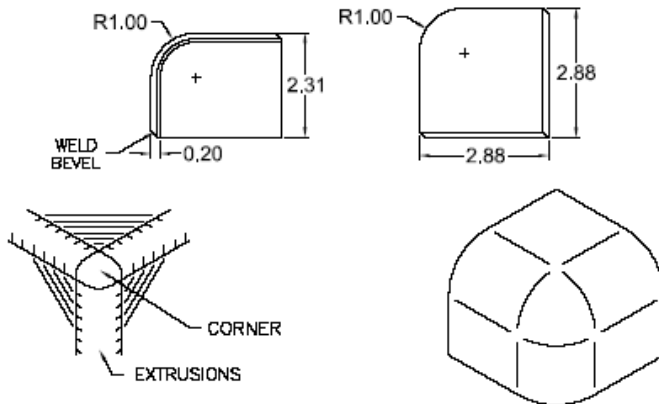
### MC0027



### MC0027 Modular Corner (Weld in)

- 1) Finish: Ground and wheel-a-brated.
- 2) Purpose: to eliminate the need for mitering corners of extrusions.

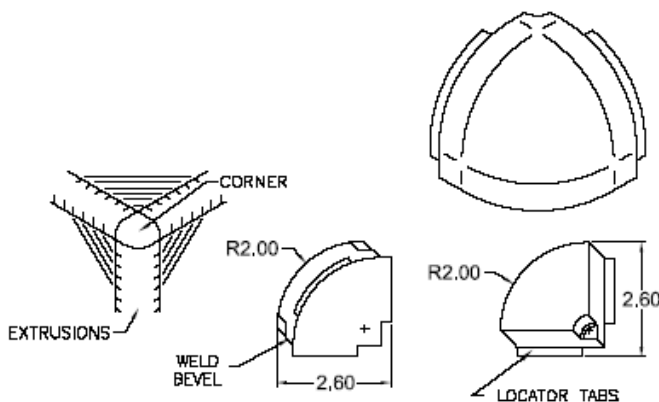
### MC0028



### MC0028 Modular Corner (Weld In)

- 1) Finish: Ground and wheel-a-brated.
- 2) Purpose: to eliminate the need for mitering corners of extrusions.

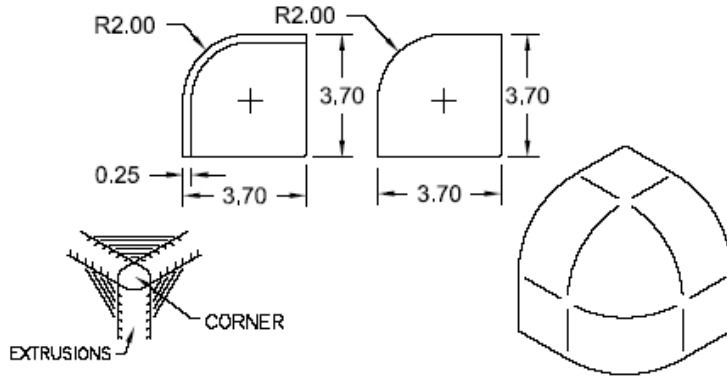
### MC0033



### MC0033 Modular Corner (Weld in)

- 1) Finish: Ground and wheel-a-brated.
- 2) Purpose: to eliminate the need for mitering corners of extrusions.

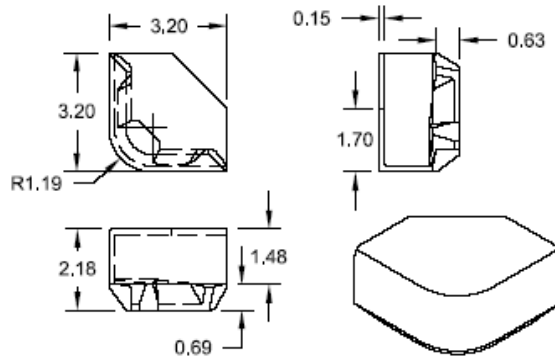
**MC0037**



**MC0037  
Modular Corner  
(Weld in)**

- 1) Finish: Ground and wheel-a-brated.
- 2) Purpose: to eliminate the need for mitering corners of extrusions.

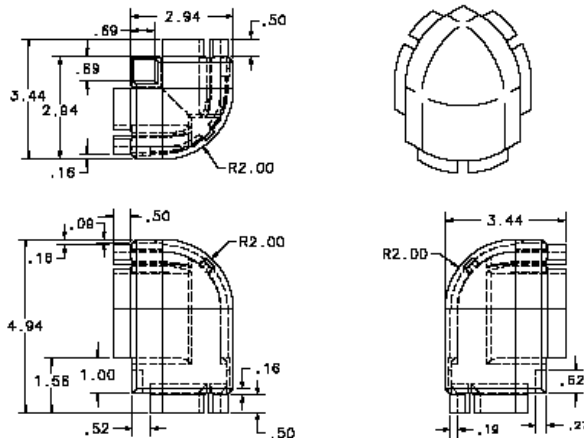
**MC0052**



**MC0052  
Horizontal Corner**

- 1) Finish: Polished.

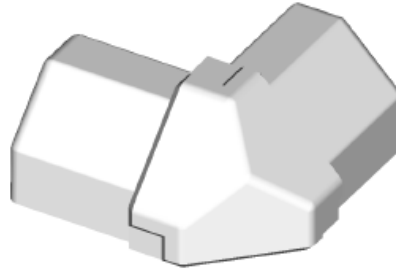
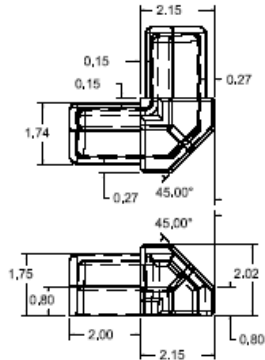
**MC0061**



**MC0061  
Modular Corner  
(Weld in)**

- 1) Finish: Ground and wheel-a-brated.
- 2) Purpose: to eliminate the need for mitering the corners of extrusions.

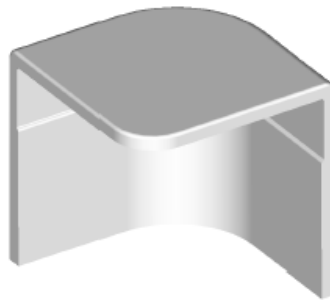
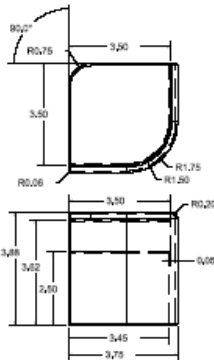
## MC0063



## MC0063 Modular Corner

- 1) Finish: Ground and wheel-a-brated.
- 2) Purpose: to eliminate the need for mitering the corners of extrusions.

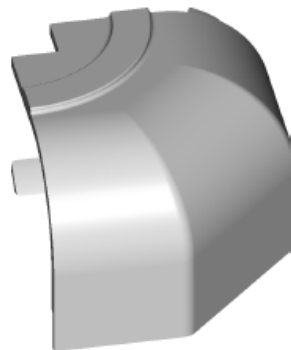
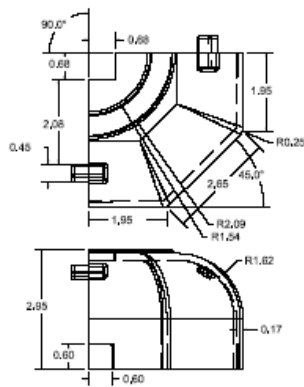
## MC0071



## MC0071 Modular Corner

- 1) Finish: wheel-a-brated.
- 2) Purpose: to eliminate the need for mitering the corners of extrusions.

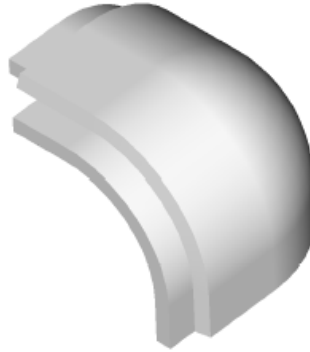
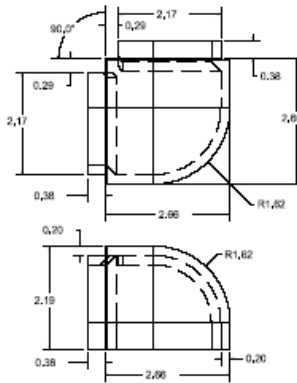
## MC0075



## MC0075 Corner Cover (Weld in)

- 1) Finish: Ground and wheel-a-brated.
- 2) Purpose: to eliminate the need for mitering the corners of extrusions.

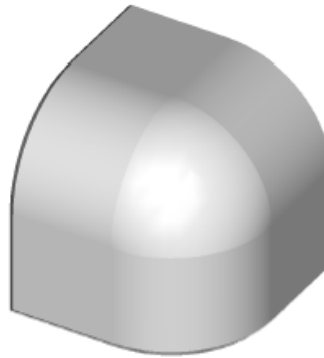
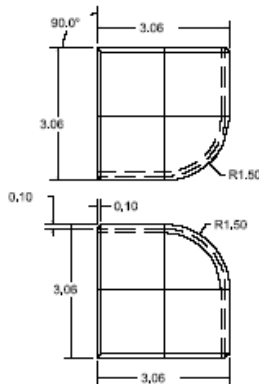
### MC0076



### MC0076 Corner Cover (Weld in)

- 1) Finish: Ground and wheel-a-brated.
- 2) Purpose: to eliminate the need for mitering the corners of extrusions.

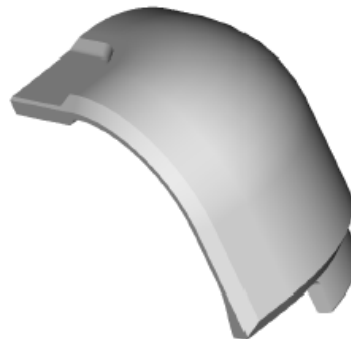
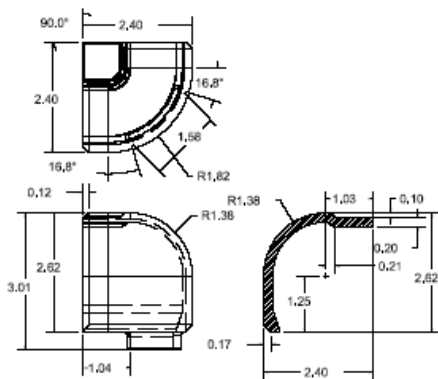
### MC0077



### MC0077 Corner Cover (Weld in)

- 1) Finish: Ground and wheel-a-brated.
- 2) Purpose: to eliminate the need for mitering the corners of extrusions.

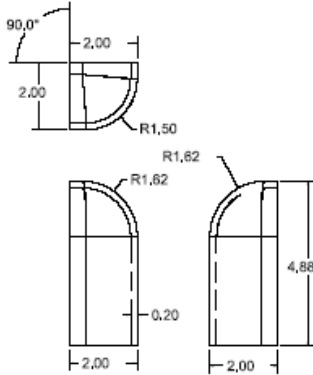
### MC0079



### MC0079 Corner Cover (Weld in)

- 1) Finish: VFM.
- 2) Purpose: to eliminate the need for mitering the corners of extrusions.

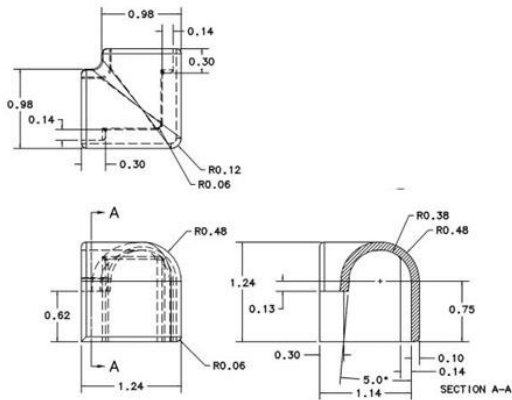
## MC0080



## MC0080 Corner Cover (Weld in)

- 1) Finish: Wheel-a-brated.
- 2) Purpose: to eliminate the need for mitering the corners of extrusions.

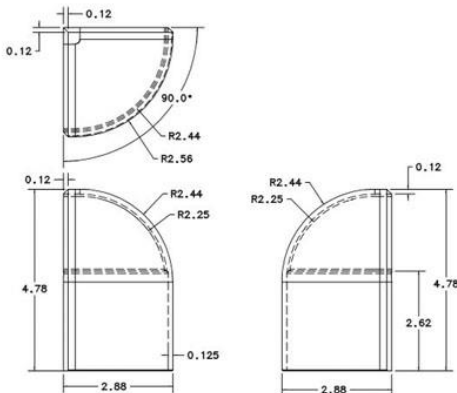
## MC0081



## MC0081 90d. Shelf Edge Corner Cap

- 1) Finish: Polished or VFM.

## MC0082

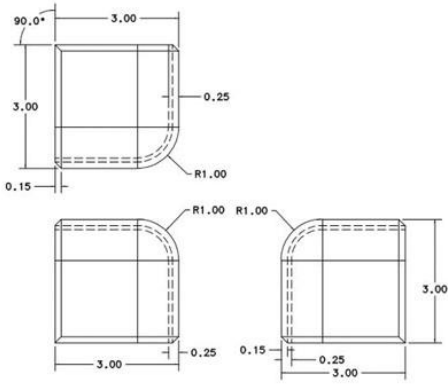


## MC0082 R2.44" Modular Corner Cap

- 1) Finish: ball-burnished.



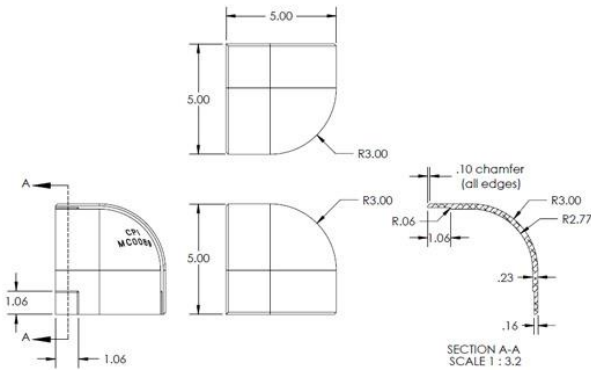
### MC0083



### MC0083 90d. Modular Corner Cap

1) Finish: wheel-a-brated.

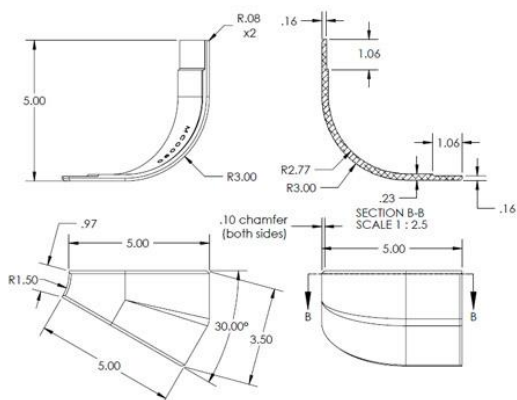
### MC0089



### MC0089 90d., R3.0 Corner Casting

1) Finish: wheel-a-brated or  
ball-burnished.

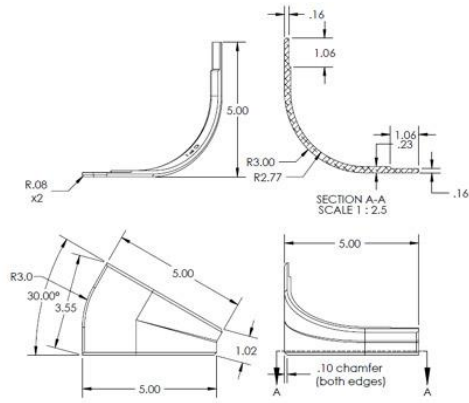
### MC0090



### MC0090 30d., R3.0 Corner Casting

1) Finish: wheel-a-brated or  
ball-burnished.

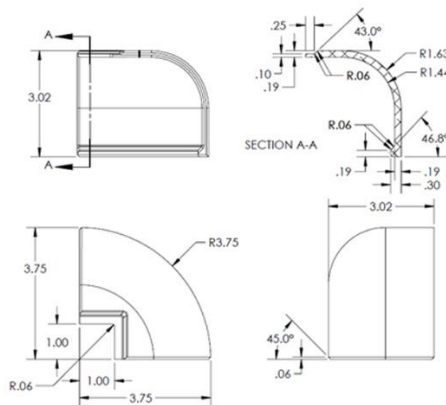
### MC0091



### MC0091 30d., R3.0 Corner Casting

1) Finish: wheel-a-brated or ball-burnished.

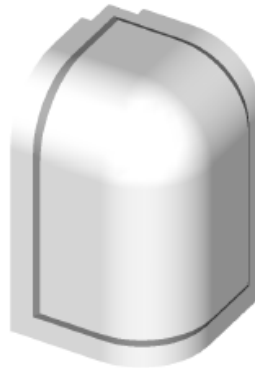
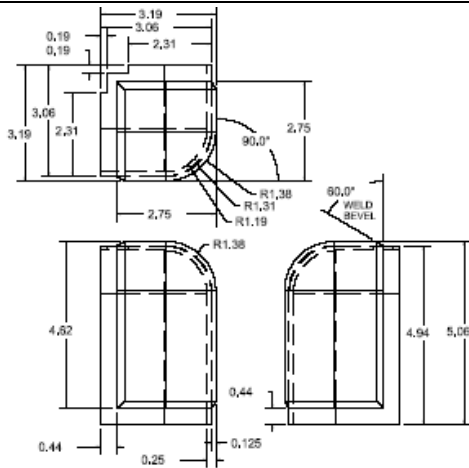
### MC0094



### MC0094 90d. Corner Casting

1) Finish: wheel-a-brated

### MC51145



### MC51145 Modular Corner (Weld in)

1) Finish: Ground and wheel-a-brated.  
2) Purpose: to eliminate the need for mitering the corners of extrusions.

