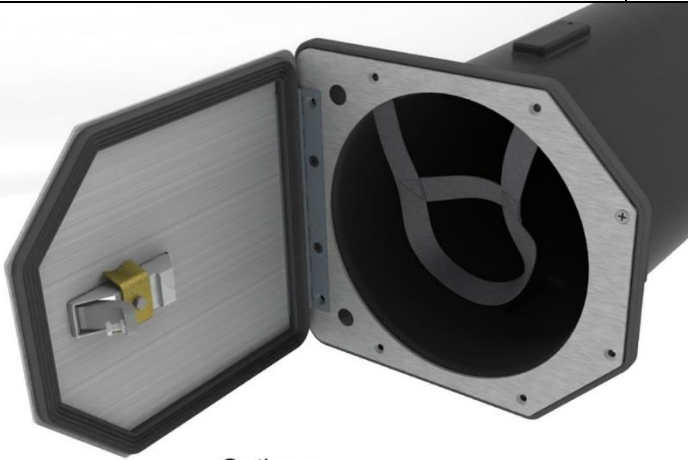


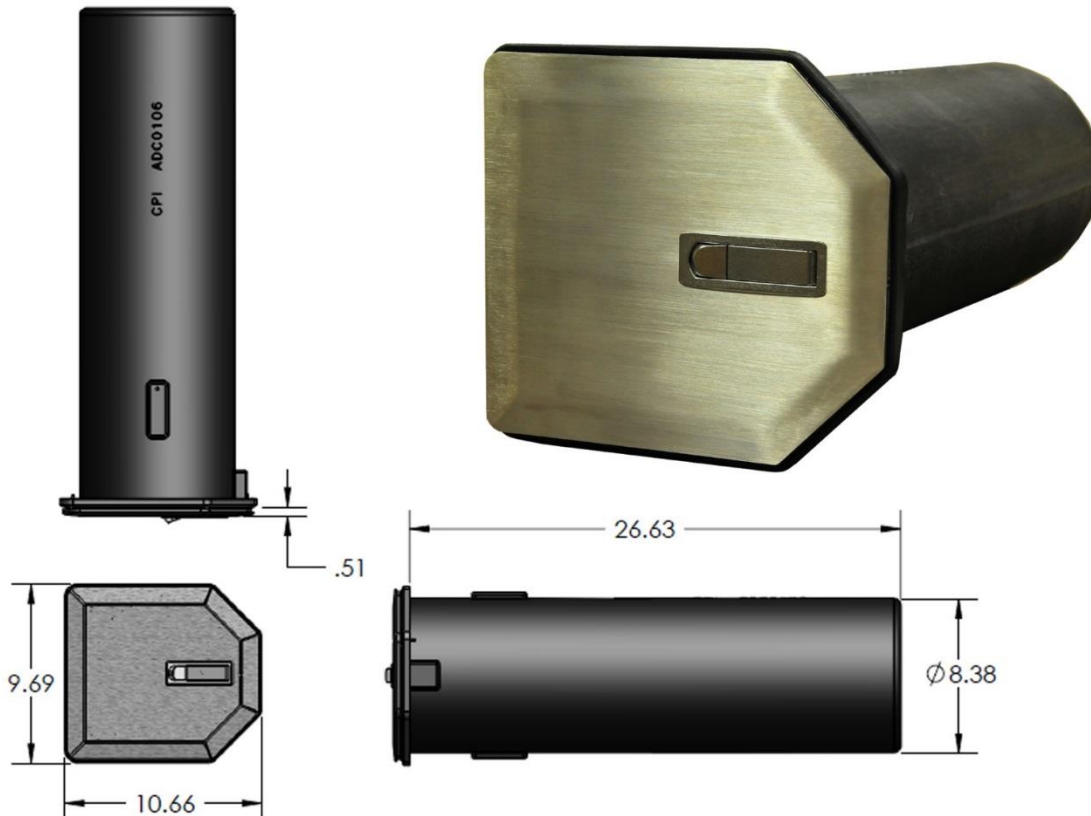
**AD2001**



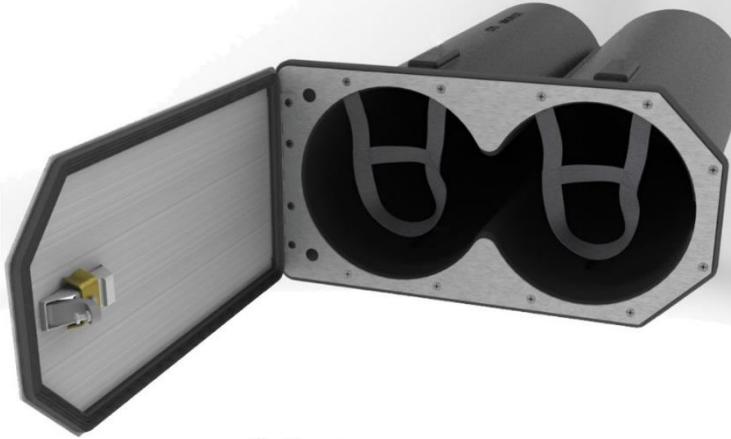
## **AD2001 Stainless Access Door Flange, Lid and Rotary molded tube.**

- 1) All concealed mounting hardware. Stainless Piano Hinge.
- 2) Thick Rubber Gasket for sealing Flange to Lid. Rubber Gasket for mounting to rear of Rotary molded SCBA tube.
- 3) Nylon Safety Strap included.
- 4) provided with two .50" holes in flange (with plastic plugs) for door open switches (not included).
- 5) 8" ID Rotary Molded Tube.

Options:  
Lid: Brushed or polished finish.  
Chrome Latch: with or w/o key.  
Painted Grey Latch: with or w/o key.  
Weatherproof Latch: with or w/o key.



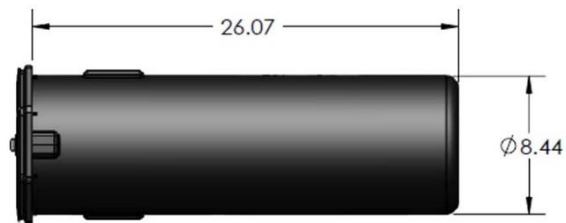
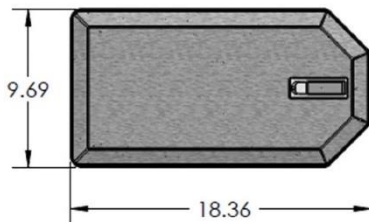
**AD2002**



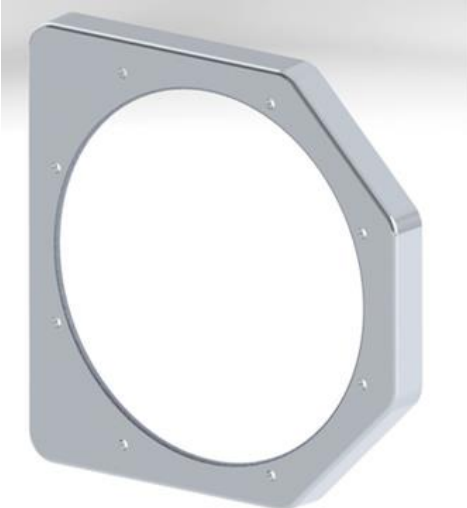
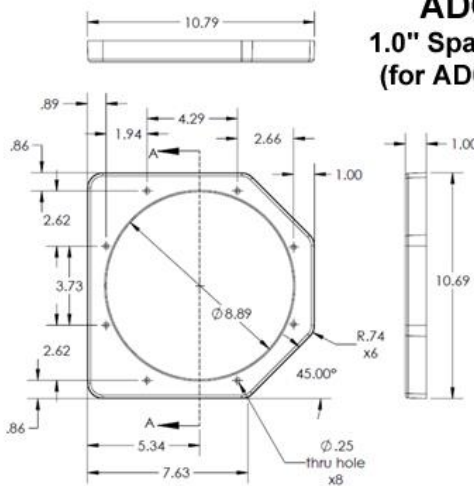

**AD2002**  
**Double Stainless**  
**Access Door Flange,**  
**Lid and Rotary molded**  
**double tube.**

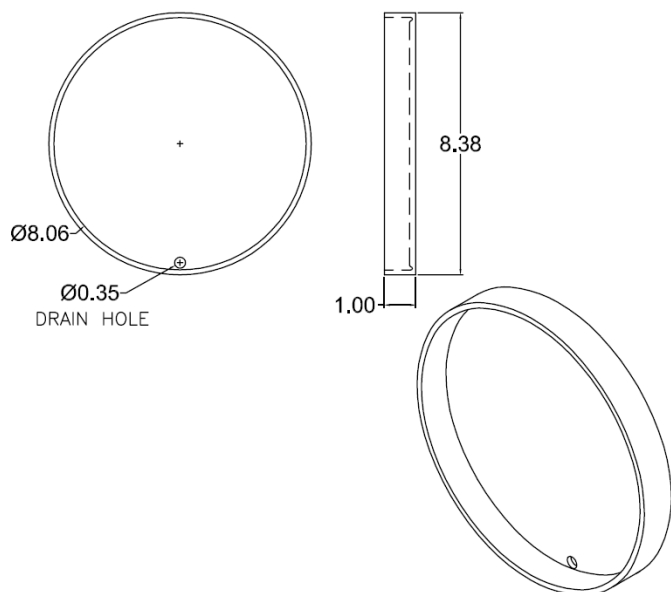
- 1) All concealed mounting hardware. Stainless Piano Hinge.
- 2) Thick Rubber Gasket for sealing Flange to Lid. Rubber Gasket for mounting to rear of Rotary molded SCBA tube.
- 3) Nylon Safety Strap included.
- 4) provided with two .50" holes in flange (with plastic plugs) for door open switches (not included).
- 5) 8" ID Rotary Molded Double-Tube.

Options:  
Lid: Brushed or polished finish.  
Chrome Latch: with or w/o key.  
Painted Grey Latch: with or w/o key.  
Weatherproof Latch: with or w/o key.

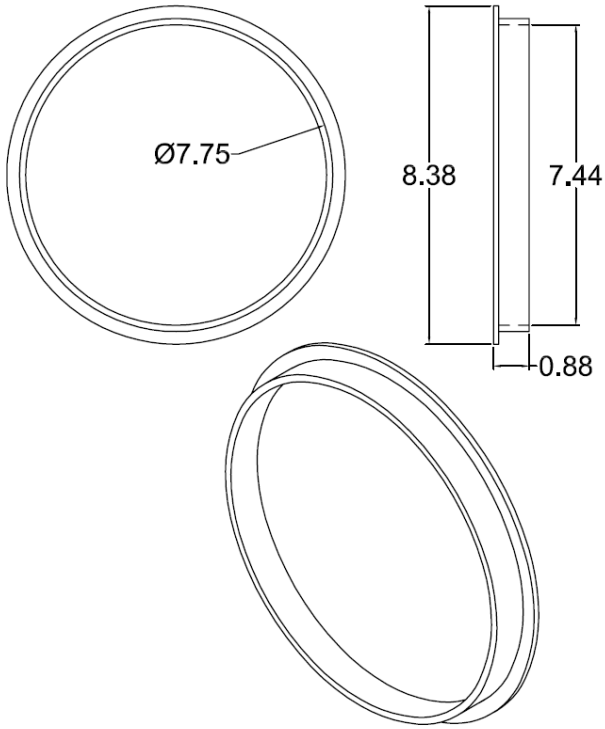


# Access Door Miscellaneous

<b>ADC0141</b>	
	<div style="display: flex; justify-content: space-between;"> <div style="text-align: center;">  </div> <div style="text-align: center;"> <p><b>ADC0141</b> 1.0" Spacer Casting (for AD0035 Assy)</p>  </div> </div>
<p>1) Finish: Exterior flange is polished.</p>	

<b>ADM0001</b>	
	<p><b>ADM0001</b> 8" Tube Cap with Drain Hole</p> <p>1) Finish: bead blasted (light gray). 2) Designed for aiding in the construction of the oxygen bottle compartments by welding the 8" aluminum tube (1/8" thick wall) to the cap.</p>

**ADM0002**



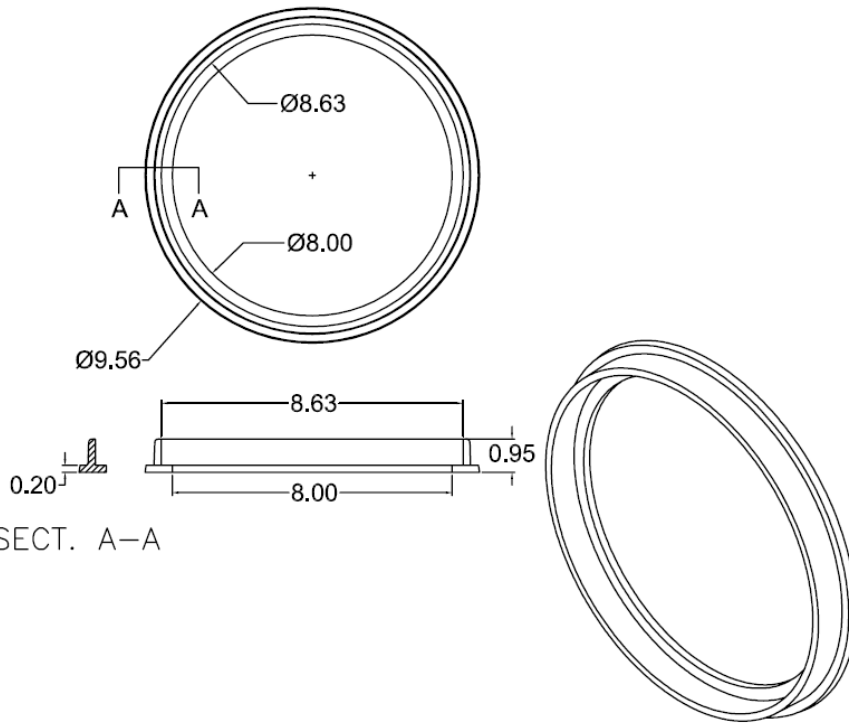
**ADM0002**  
**8" Tube Cap**

- 1) Finish: Bead - Blasted (Light Gray).
- 2) Designed for aiding in the construction of the oxygen bottle compartments by attaching the 8" PVC tube to the cap.

ADM0004

# ADM0004

**Adapter Ring for  
Schedule 40 PVC Pipe  
- 8 5/8" OD x 8" ID**



- 1) Finish: Wheel - a - Brated.
- 2) Fits to Schedule 40 PVC pipe.
- 3) Fitted with rivets or glue.
- 4) Use with AD0016 Access flange and door.