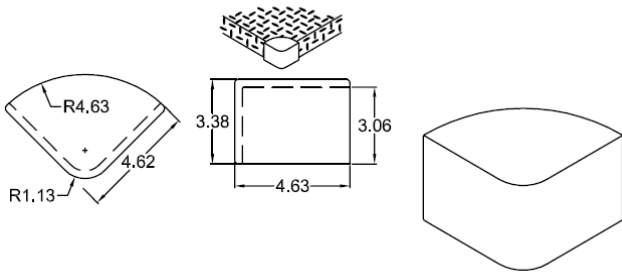
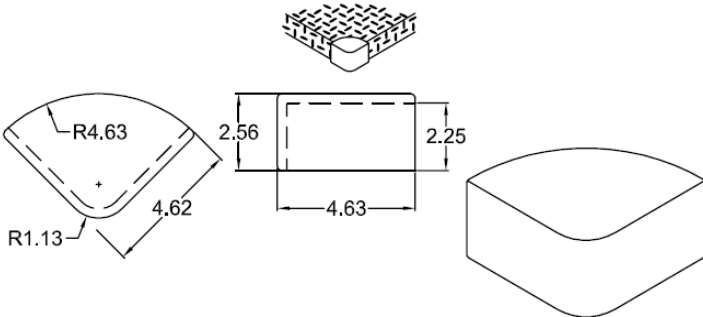
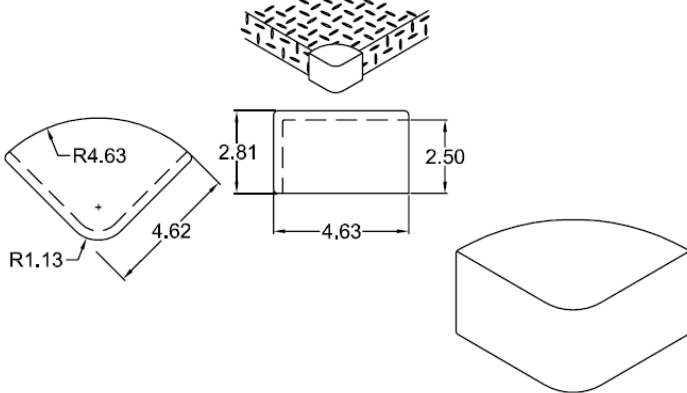
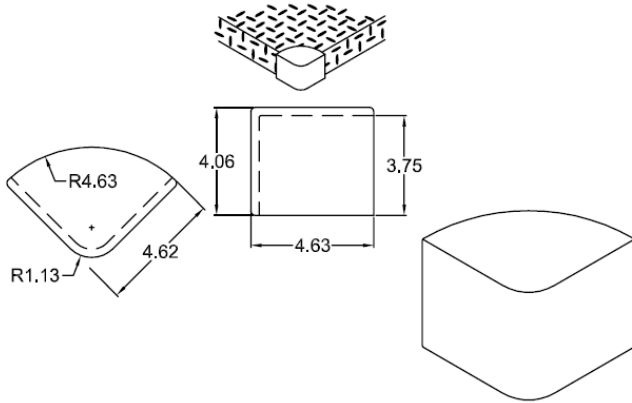


# Bumper Corners

<b>BC0001</b>	
	<p style="font-size: 1.2em; font-weight: bold;">BC0001 Bumper Corner Cover</p> <ol style="list-style-type: none"> <li>1) Finish: Bright polished.</li> <li>2) Preferred method of installation: Tack weld from underneath.</li> <li>3) Nominal thickness of 1/4".</li> </ol>
<b>BC0002</b>	
	<p style="font-size: 1.2em; font-weight: bold;">BC0002 Bumper Corner Cover</p> <ol style="list-style-type: none"> <li>1) Finish: Bright Polished.</li> <li>2) Preferred Installation: Tack weld from underneath.</li> <li>3) Nominal Thickness of 1/4".</li> </ol>
<b>BC0003</b>	
	<p style="font-size: 1.2em; font-weight: bold;">BC0003 Bumper Corner Cover</p> <ol style="list-style-type: none"> <li>1) Finish: Bright Polished.</li> <li>2) Preferred Installation: Tack weld from underneath.</li> <li>3) Nominal Thickness of 1/4".</li> </ol>

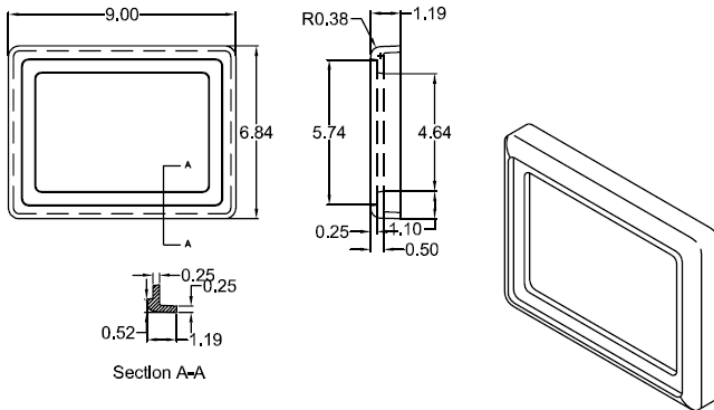
**BC0006**



## **BC0006 Bumper Corner Cover**

- 1) Finish: Bright Polished.
- 2) Preferred Installation: Tack weld from underneath.
- 3) Nominal Thickness of 1/4".

**BC0010**



## **BC0010 Dock Bumper Spacer**

- 1) Serves as a spacer and trim for the rubber bumper blocks.
- 2) Finish: polished.