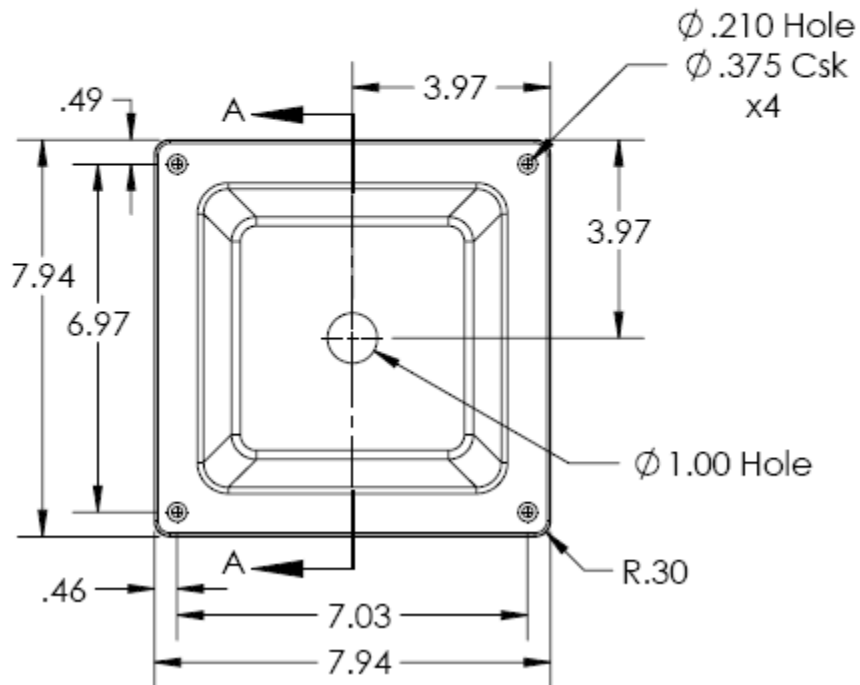


Bumper Tow-Eye Covers

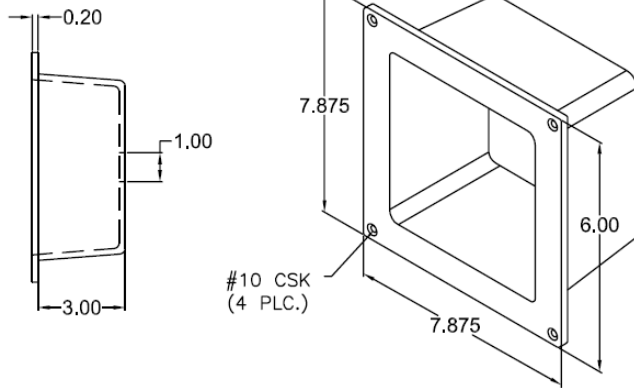
BC0011	
<p style="margin-left: 20px;">#10 CSK (4 PLC.)</p>	<h2 style="text-align: center;">BC0011 Tow-Eye Cover 6" Deep</h2> <p>1) Finish: Flange is polished. Inside is wheel - a - brated.</p>

Part #	Description
BC0011	Bumper tow-eye cover w/ 1.00" hole.
BC0011-A	Bumper tow-eye cover w/ 2.00" hole.
BC0011-B	Bumper tow-eye cover w/ 3.00" hole.



BC0012

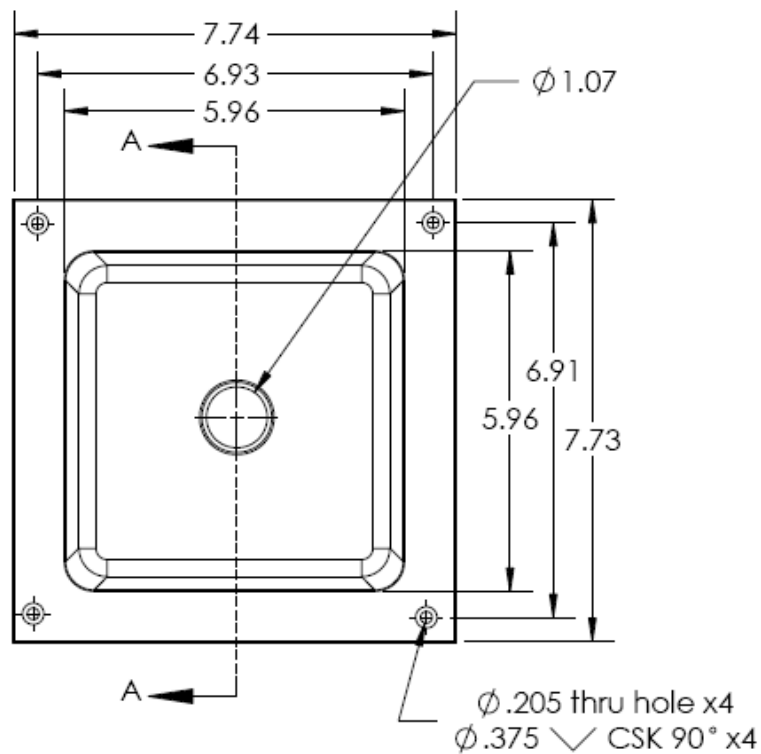
1



BC0012 Tow-Eye Cover 3" Deep

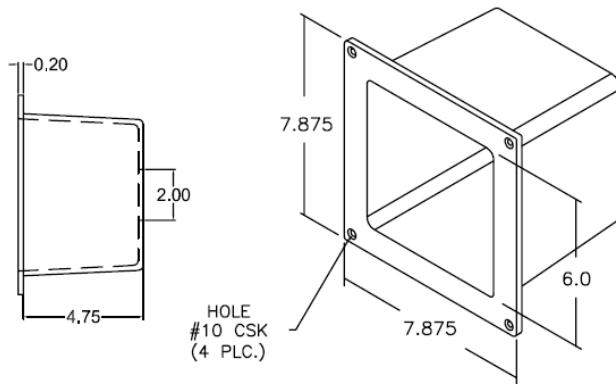
1) Finish: Flange is polished.
Inside is wheel - a - brated.

BC0012-1	1" ID, Bumper Tow-Eye Cover, 3" deep
BC0012-1-A	2" ID Bumper Tow-Eye Cover, 3" deep
BC0012-1-B	2 3/8" ID Bumper Tow-Eye Cover, 3" deep



BC0013

BC0013 Tow - Eye Cover 4 3/4" Deep



1) Finish: Flange is polished.
Inside is wheel - a - brated.

BC0013-1	Ø 2.00" ID Rear hole (shown)
BC0013-1-A	Ø 2.25" ID Rear hole
BC0013-1-B	Ø 2.50" ID Rear hole
BC0013-1-C	Ø 3.00" ID Rear hole

