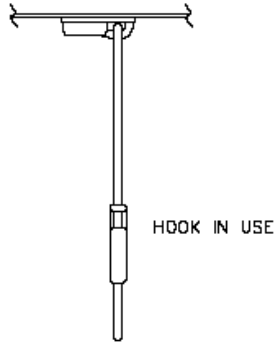
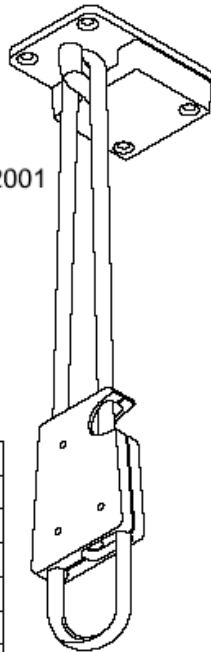


Stretcher Hangers

STH2001 thru STH2009



STH2001



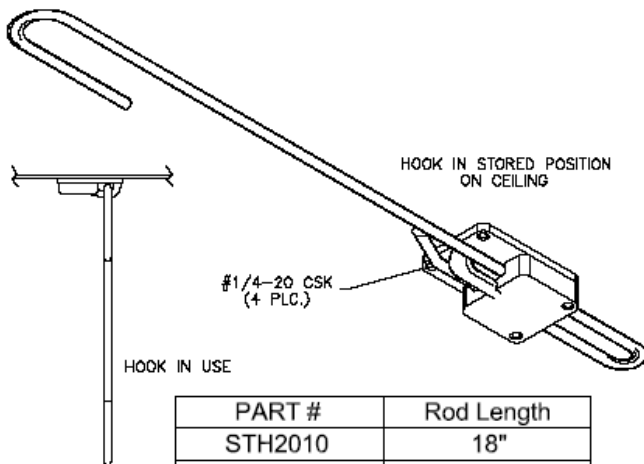
STH2001 - STH2009

Ceiling Stretcher Hanger with Positive Retention Latch

- 1) Finish: Designed with a positive retention latch for security when in use.
- 2) STH2001 - STH2005: 1 1/8" inside radius hook (Commercial).
STH2006 - STH2009: 1 5/8" Inside radius hook (GSA).

PART #	Rod Length	Hook Radius
STH2001	18"	1 1/8"
STH2002	19"	1 1/8"
STH2003	20"	1 1/8"
STH2004	22"	1 1/8"
STH2005	23"	1 1/8"
STH2006	16"	1 5/8"
STH2007	19"	1 5/8"
STH2008	20"	1 5/8"
STH2009	23"	1 5/8"

STH2010 thru STH2017



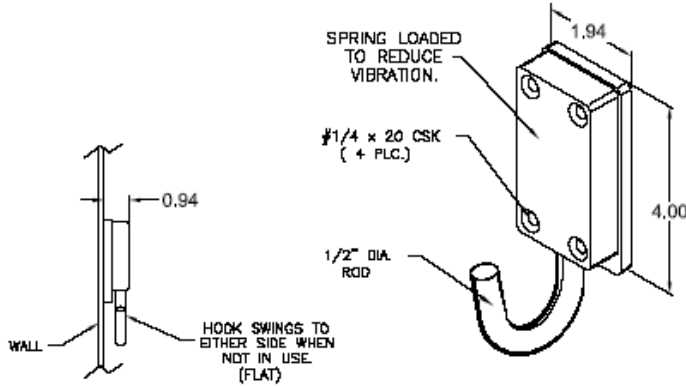
STH2010 - STH2017

Ceiling Stretcher Hanger

- 1) Hook is permanently attached to ceiling hanger to prevent misplacement or loss.
- 2) Rubber Inserts in storage slide minimize friction and vibration noise.
- 3) Hook made of 3/8" 6061-T6 aluminum rod.
- 4) Finish: all parts are polished.
- 5) Radlused edges and corners for safety.

PART #	Rod Length
STH2010	18"
STH2011	19"
STH2012	20"
STH2013	21"
STH2014	23"
STH2015	25"
STH2016	26"
STH2017	28"

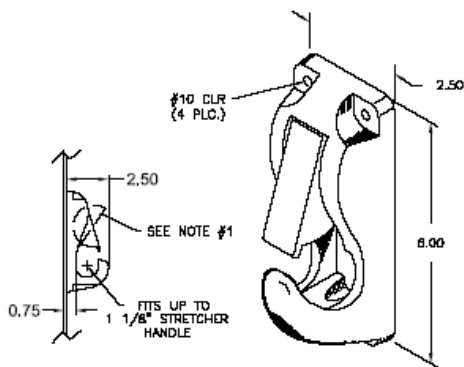
STH2018



STH2018 Stretcher Hook

- 1) Hook made of 3/8" 6061-T6 aluminum rod.
- 2) Finish: all parts are polished.
- 3) Swivel Hook to allow storage against the wall then not in use.

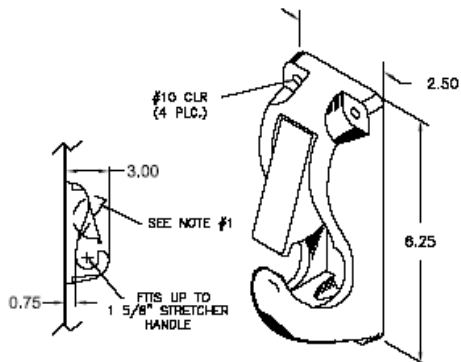
STH2019



STH2019 Positive Retention Wall Hook 1 1/8" ID (Commercial)

- 1) Finish: All parts are polished.
- 2) Provides positive retention hook and a latch to support stretcher, to keep stretcher from bumping out of hook.

STH2020

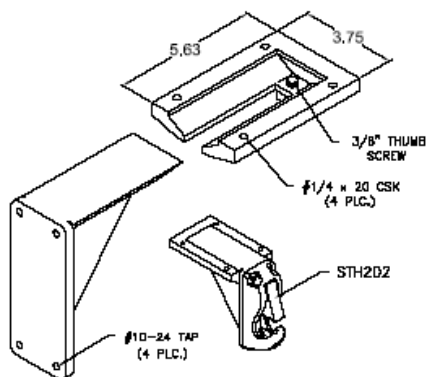


STH2020

Positive Retention Wall Hook 1 5/8" ID (Commercial)

- 1) Finish: All parts are polished.
- 2) Provides positive retention hook and a latch to support stretcher, to keep stretcher from bumping out of hook.

STH2021



STH2021 Removable Cabinet Bracket

- 1) Holds part STH2020 when in use.
- 2) Removable bracket for storage when not in use.
- 3) Finish: bead-blasted.