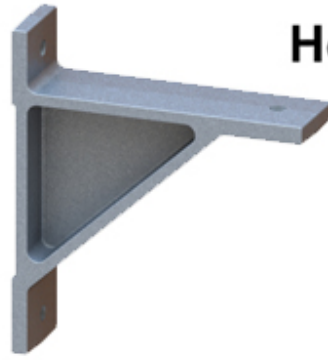
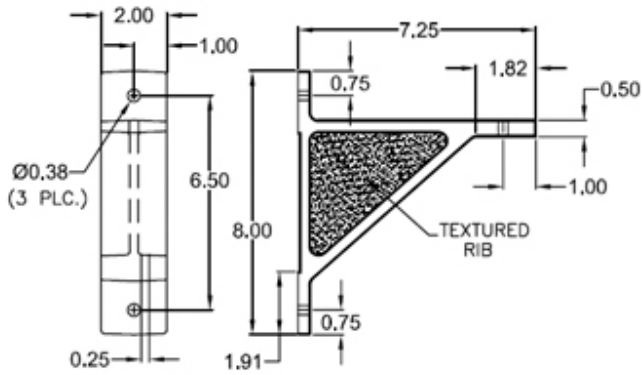


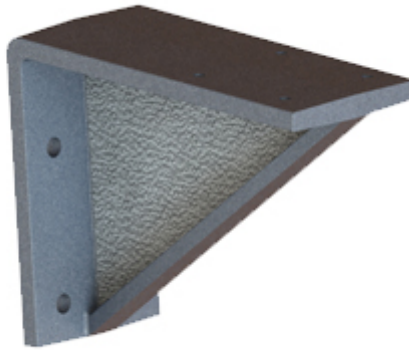
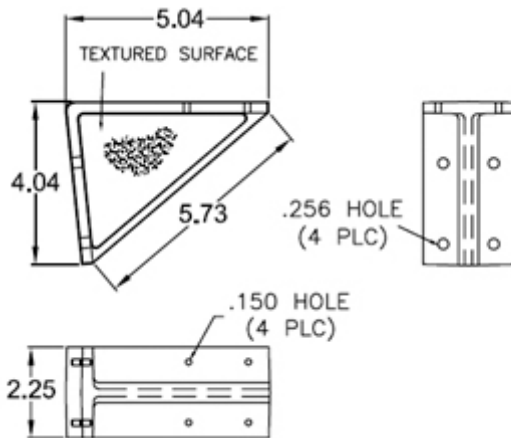
## FA2002



## FA2002 Hose Tray Carrier Bracket

1) Finish: Bead-blasted.

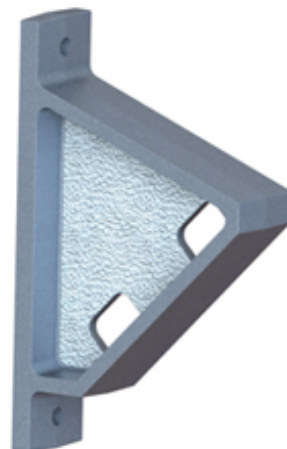
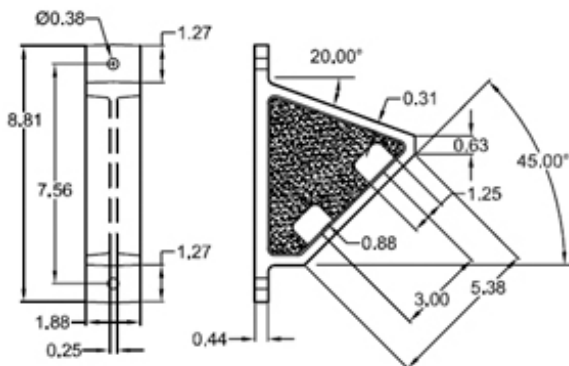
## FA2003



## FA2003 Hose Trough Bracket

1) Finish: Bead-blasted.

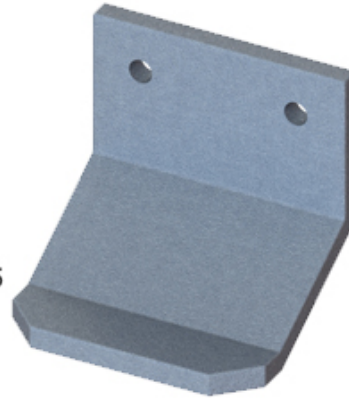
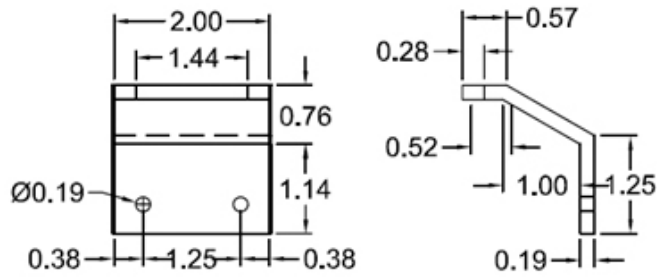
## FA2004



## FA2004 Hose Trough Bracket

1) Finish: Polished or  
bead-blasted.

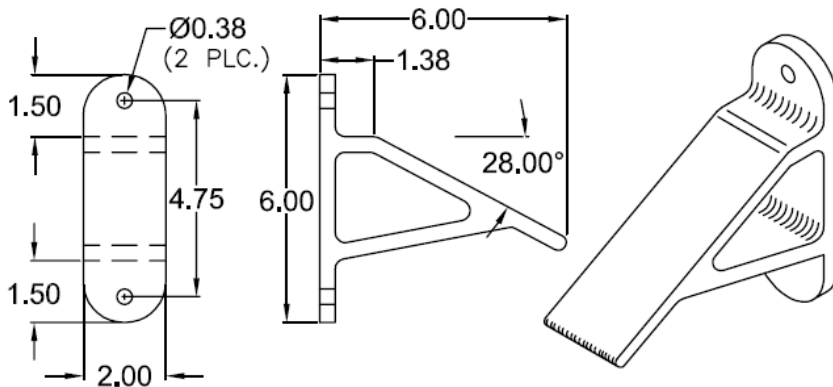
## FA2005



## FA2005 Hose Trough Bracket

1) Finish: Ball-burnished.

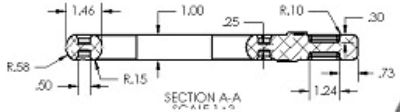
## FA2006



## FA2006 Hose Tray Mount Bracket

1) Finish: Polished or  
wheel-a-brated.

**FA2011-5 FA2011-5-A**



**FA2011-5 & FA2011-5-A  
- Hose Hanger Assembly**

- 1) Finish: Ball-burnished or chromed
- 2) FA2011-5 Right Opening Assembly shown
- 3) FA2011-5-A Left Opening Assembly is opposite

