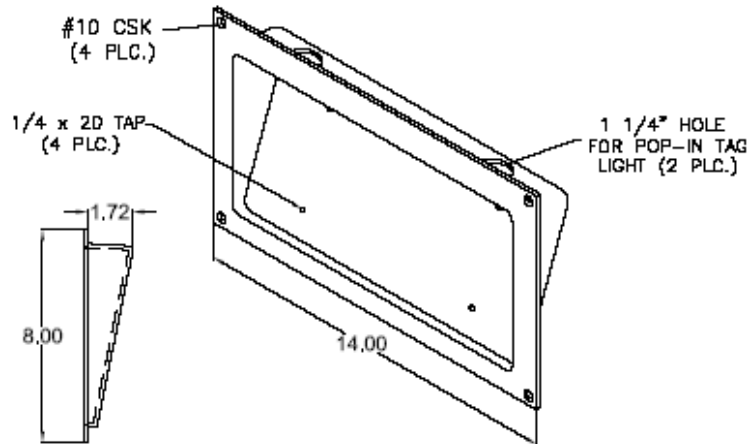


# License Plate Holders

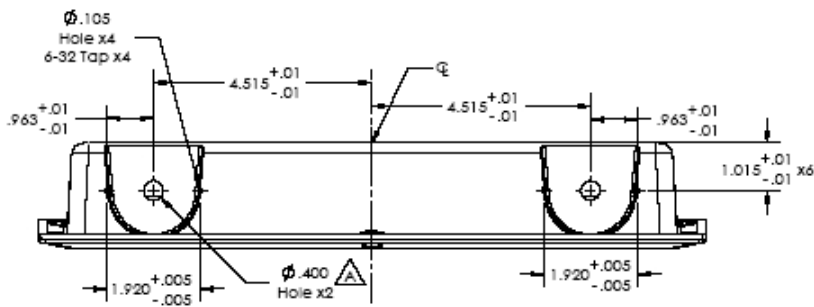
## LP0002



## LP0002 License Plate Holder

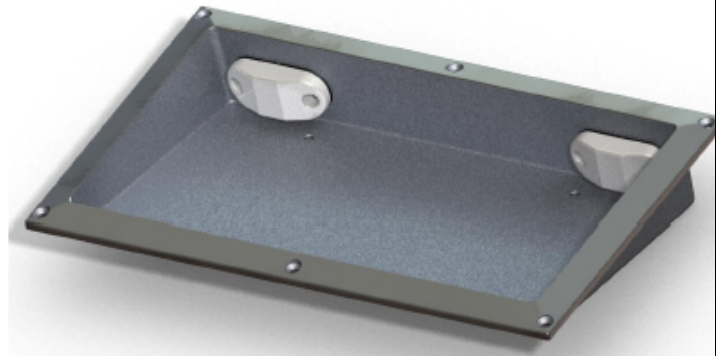
- 1) Finish: Flange is bright polished.
- 2) Designed to compliment light housings #C30012 and C30013.

## LP0002-C

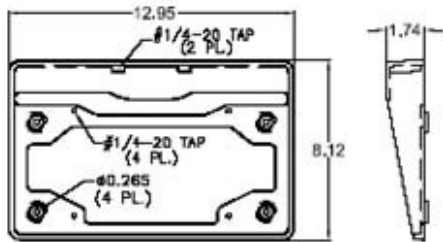


## LP0002-C License Plate Holder w/ LED Lights

- 1) Finish: Chromed
- 2) -C drilling option for using 2 LED lights (WL0501 type)



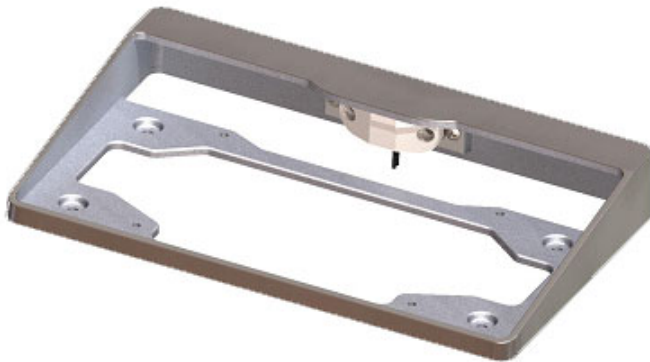
## LP0004



## LP0004 License Plate Holder

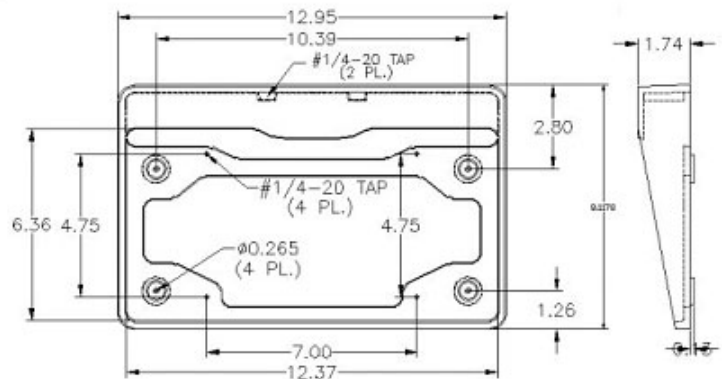
- 1) Finish: Flange is bright polished.
- 2) Uses Truck-Lite Light for Illumination (provided).
- 3) Concealed mounting hardware.

## LP0004-B

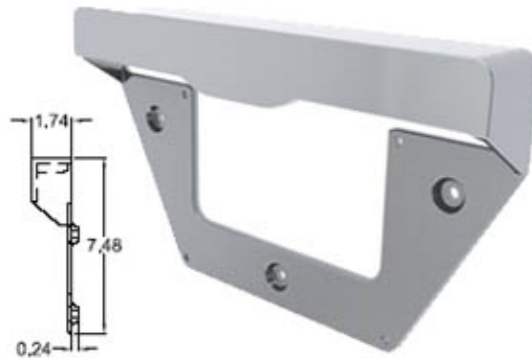
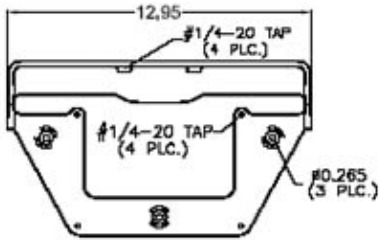


- 1) Finish: Flange is bright polished.
- 2) Supplied w/ LED light (WL0501 type), LC0011 adapter plate for LED, and mounting screws

## LP0004-B License Plate Holder w/ LED Light



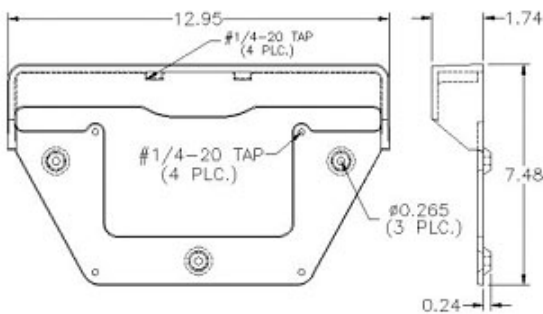
## LP0005



## LP0005 License Plate Holder

- 1) Finish: Flange is bright polished.
- 2) Uses Truck-Lite Light for illumination (provided).
- 3) Concealed mounting hardware.

## LP0005-C

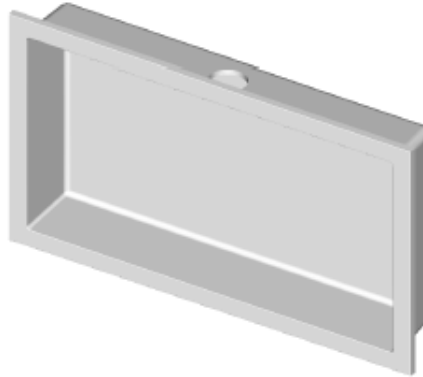
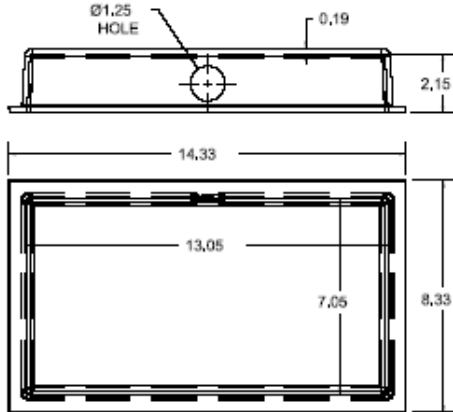


## LP0005-C License Plate Holder w/ LED Light

- 1) Finish: Flange is bright polished.
- 2) Supplied w/ LED light (WL0501 type), LC0011 adapter plate for LED, and mounting screws.



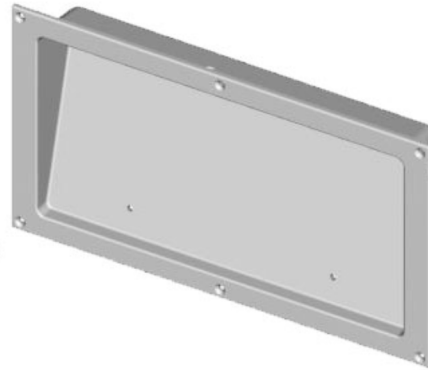
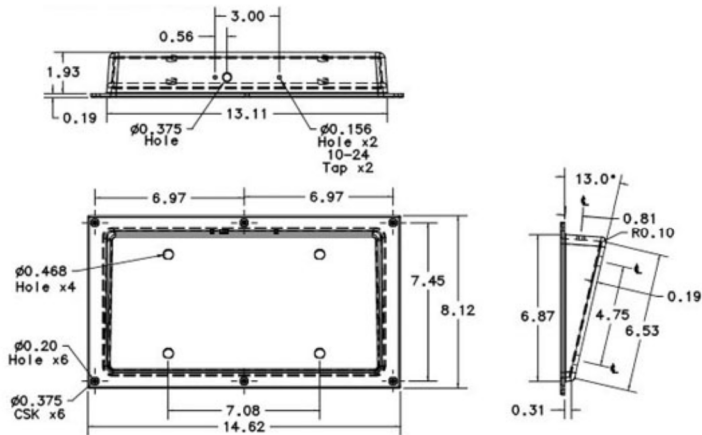
## LP0007



## LP0007 License Plate Holder

- 1) Finish: ball-burnished.
- 2) Installs by being welded from the backside

## LP0009



## LP0009 License Plate Holder

- 1) Finish: Polished exterior.

**LP0013**

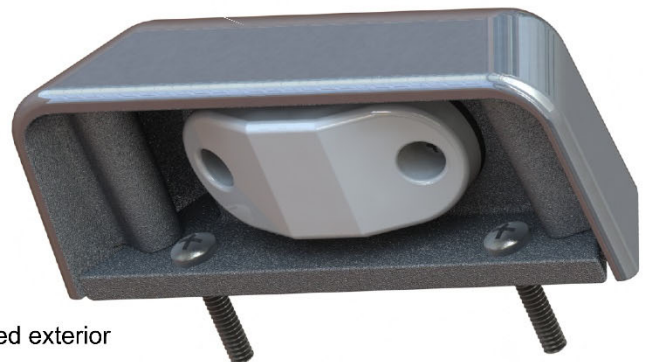
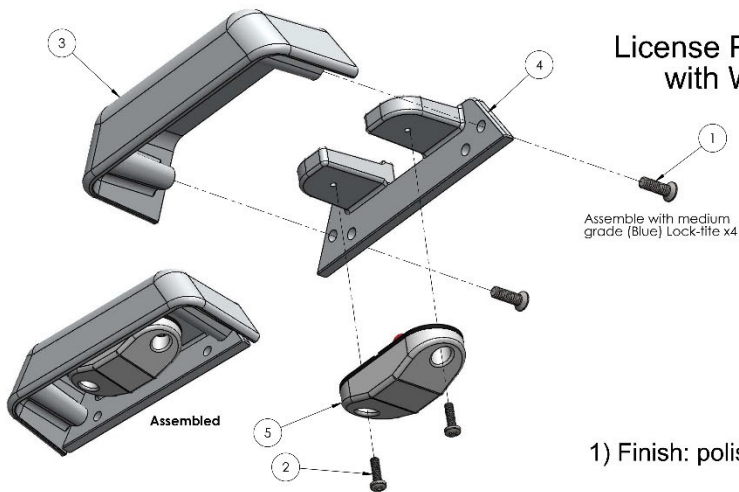
**LP0013-1**  
License Plate Hood and Frame  
Assembly, with WL0501 type clear  
LED Light



- 1) Finish: Ball-burnished w/ top portion polished or ball-burnished.
- 2) Sent with WL0501 type clear LED Light

**LP0014**

**LP0014-1**  
License Plate Hood and Frame Assembly  
with WL0501 type clear LED Light



- 1) Finish: polished exterior