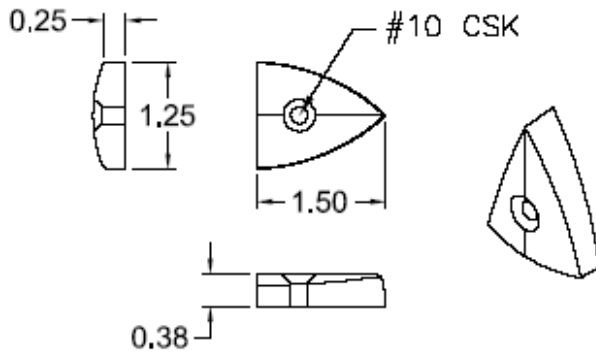


Rub Rail End Caps

RR0001

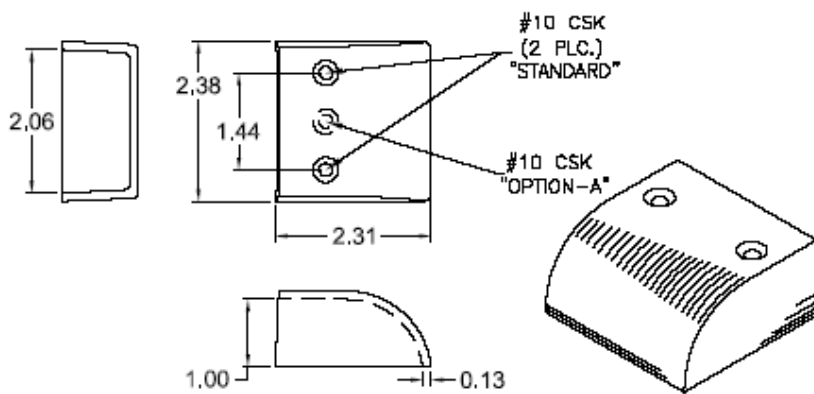


RR0001

Rub Rail End

1) Finish: All exterior surfaces are bright polished.

RR0007

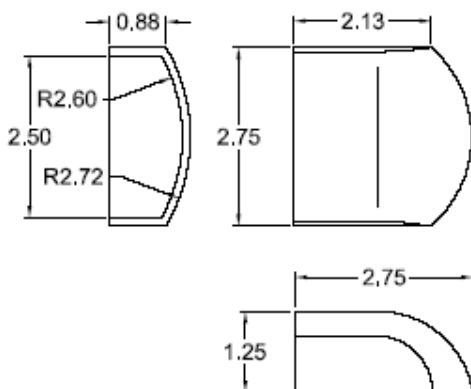


RR0007

Rub Rail End

1) Finish: All exterior surfaces are bright polished.
2) Order "option-A" for one hole in the center as shown.

RR0010

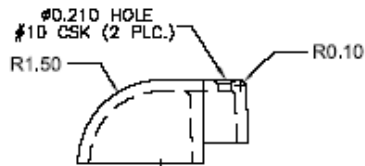
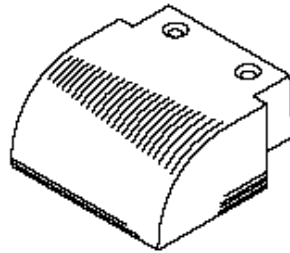
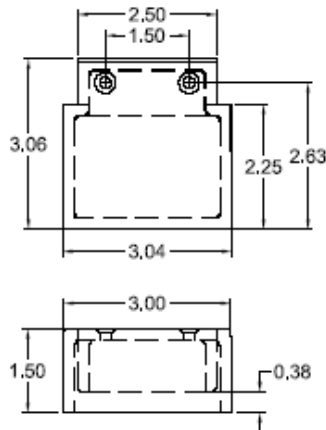


RR0010

Rub Rail End

1) Finish: All exterior surfaces are bright polished.

RR0012

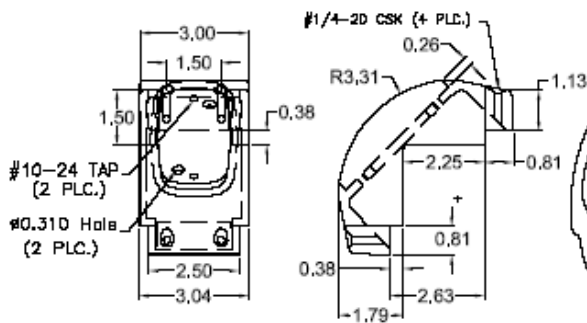


RR0012

Rub Rail End

1) Finish: All exterior surfaces are bright polished.

RR0013

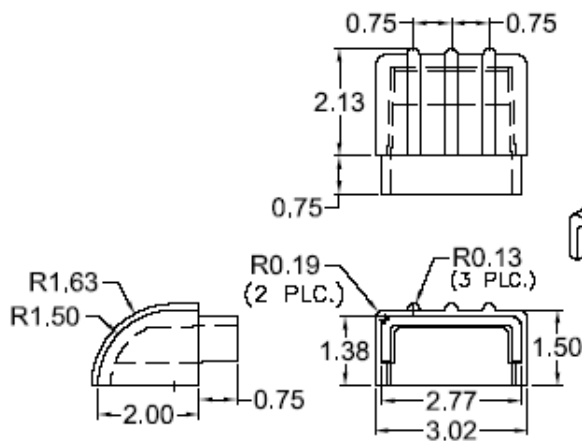


RR0013

Rub Rail End 90° degree Corner

1) Finish: All exterior surfaces are bright polished.

RR0014

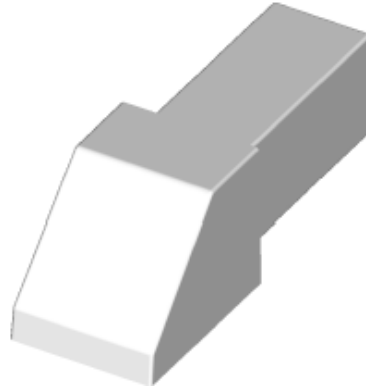
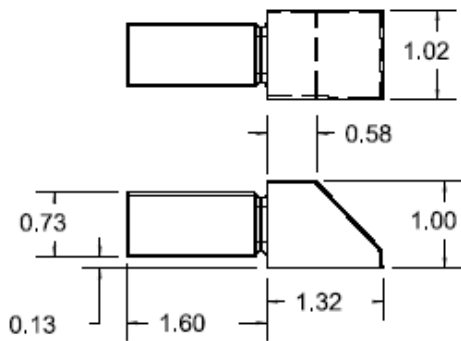


RR0014

Rub Rail End

1) Finish: All exterior surfaces are bright polished.

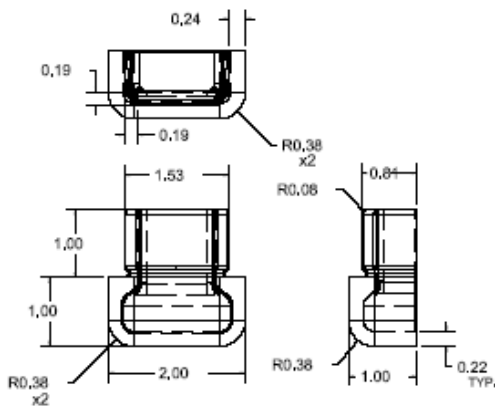
RR0024



RR0024 Rub Rail End Cap

1) Finish: all exterior surfaces are bright polished.

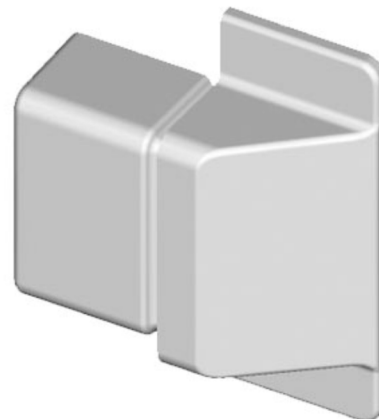
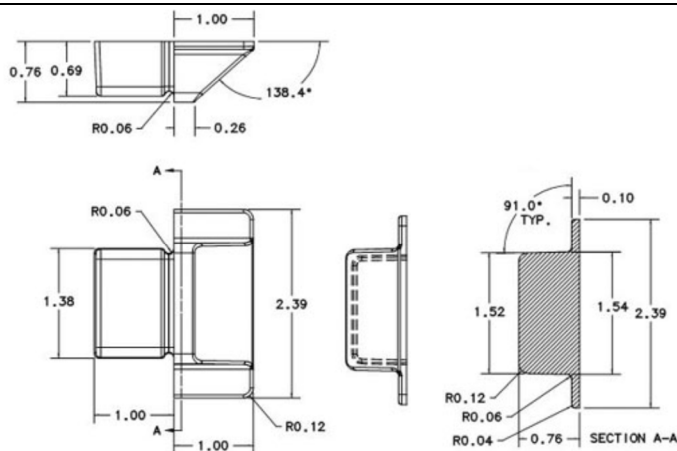
RR0027



RR0027 Rub Rail End Cap

1) Finish: all exterior surfaces are bright polished.

RR0034



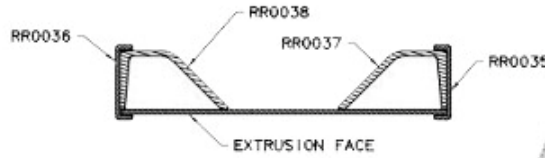
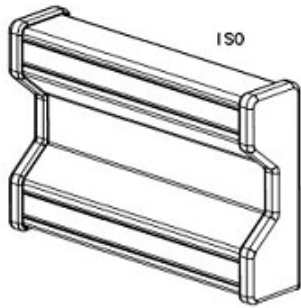
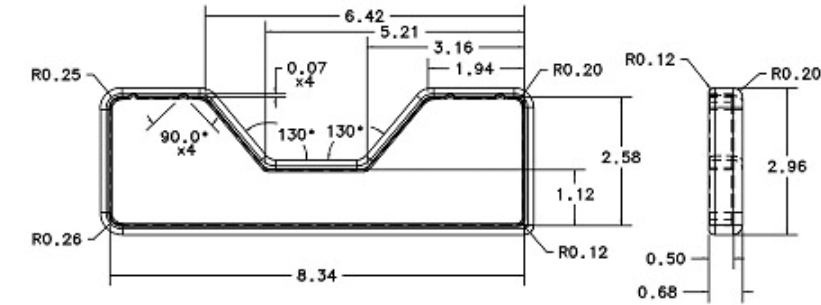
RR0034 Rub Rail End Cap

1) Finish: ball-burnished.

RR0035 RR0036

RR0035 & RR0036 Rub Rail End Caps

- 1) Finish: Ball-burnished
- 2) RR0035 Right hand shown
- 3) RR0036 Left hand is opposite



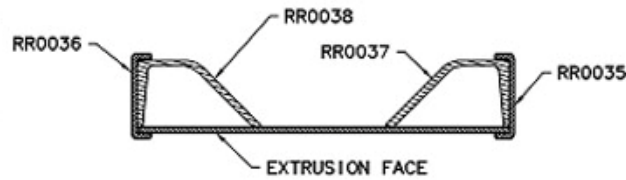
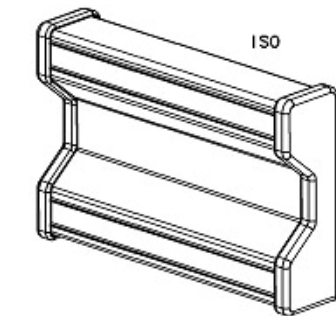
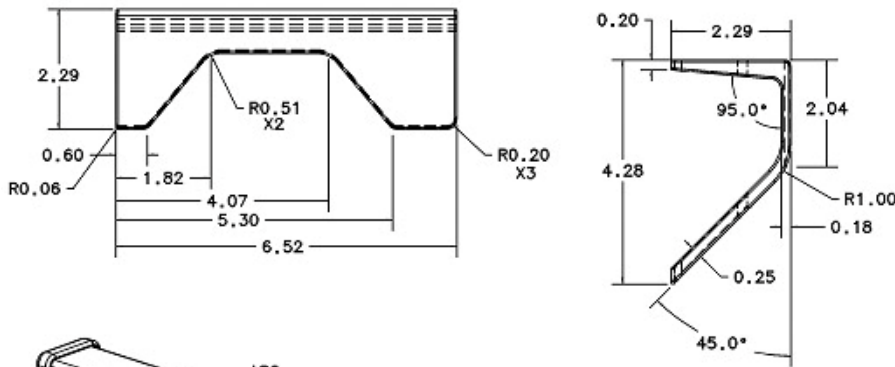
RR0035



RR0037 RR0038

RR0037 & RR0038 Angle Filler Castings

- 1) Finish: Ball-burnished
- 2) RR0037 Right hand shown
- 3) RR0038 Left hand is opposite



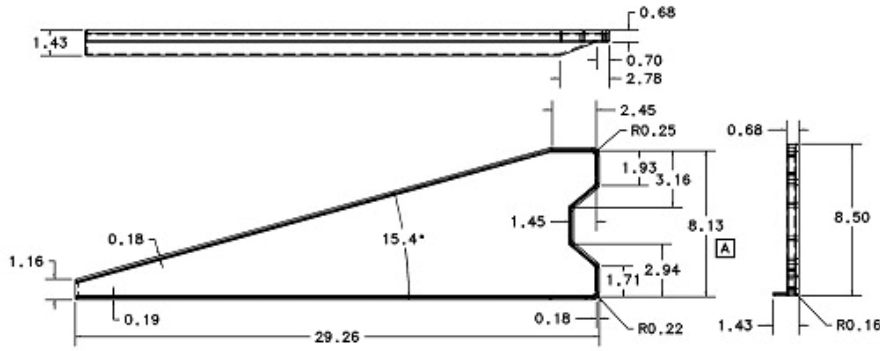
RR0037



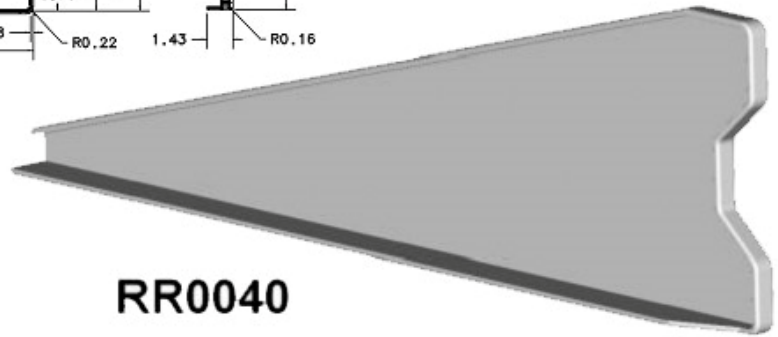
RR0040 RR0041

RR0040 & RR0041 Vac. Front Castings

- 1) Finish: Ground as Cast
- 2) RR0040 Right hand bracket shown
- 3) RR0041 Left hand bracket opposite



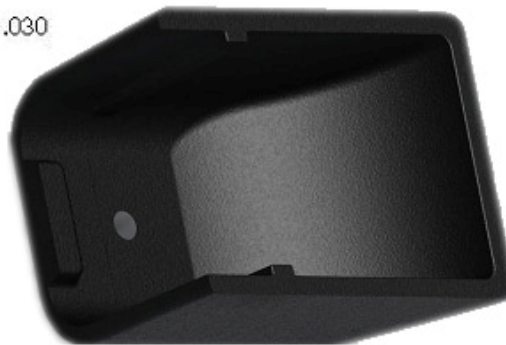
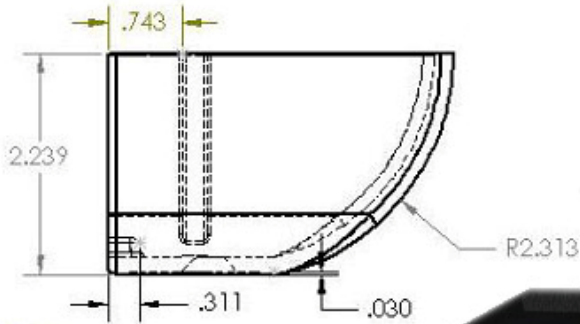
RR0040



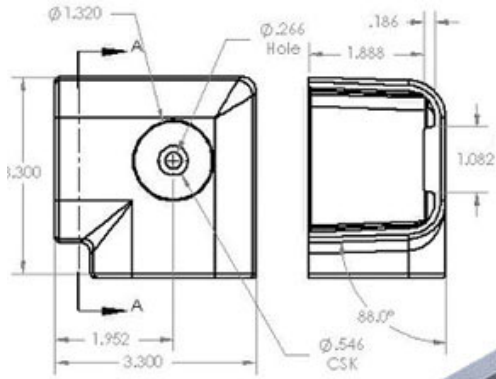
RR0042

RR0042 End Cap

- 1) Finish: Powder-coated Black or VFM

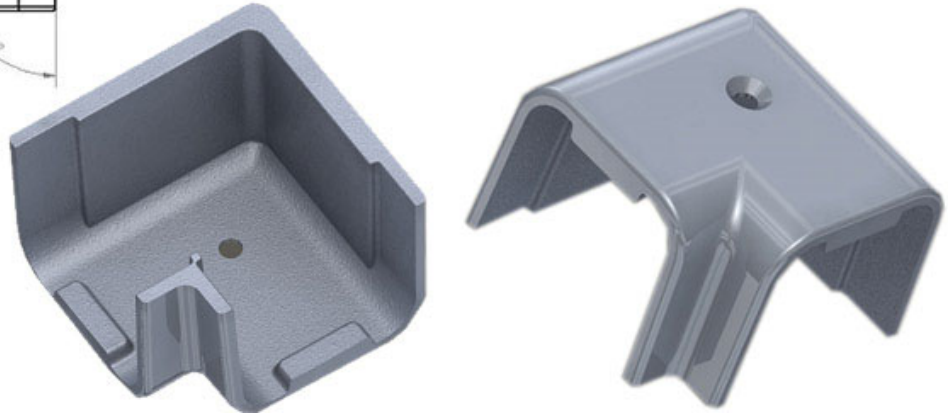


RR0043

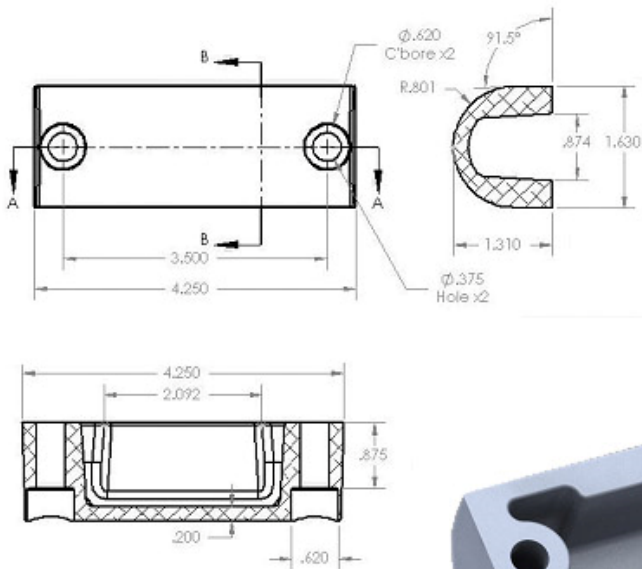


RR0043 90d. Corner Cap

1)Finish: Powder-coated Black or VFM

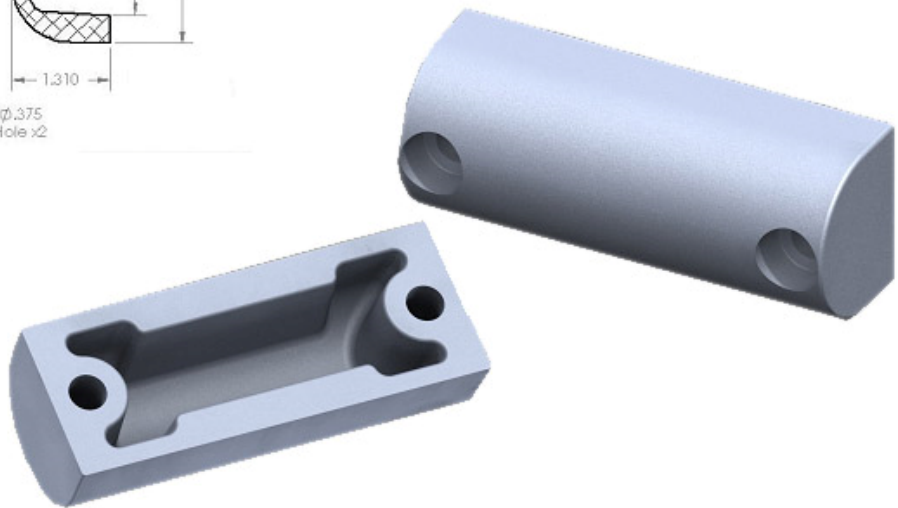


RR0044



RR0044 Extrusion End Cap Casting

1)Finish: Ball-burnished



TRR0002

TRR0002
Rub Rail End Cap

1) Finish: VFM.

